



US00D523884S

(12) **United States Design Patent**  
**Yanai et al.**

(10) **Patent No.:** **US D523,884 S**  
(45) **Date of Patent:** **\*\* Jun. 27, 2006**

(54) **BINOCULARS**

(75) Inventors: **Makoto Yanai**, Kobe (JP); **Hiroshi Kobayashi**, Yokohama (JP)

(73) Assignee: **Nikon Corporation**, Tokyo (JP)

(\*\*) Term: **14 Years**

(21) Appl. No.: **29/193,841**

(22) Filed: **Nov. 17, 2003**

(30) **Foreign Application Priority Data**

Aug. 25, 2003 (JP) ..... 2003-024381

(51) **LOC (8) Cl.** ..... **16-06**

(52) **U.S. Cl.** ..... **D16/133**

(58) **Field of Classification Search** ..... D16/130,  
D16/132, 133; 359/407, 408, 409, 410, 411,  
359/412, 413, 414, 415, 416, 417, 418, 419  
See application file for complete search history.

(56) **References Cited**

**U.S. PATENT DOCUMENTS**

4,066,329	A *	1/1978	Van Exel	.....	359/414
4,240,690	A *	12/1980	Kimura	.....	359/414
4,262,990	A *	4/1981	Kamakura	.....	359/422
4,583,828	A *	4/1986	Kimura	.....	359/414
D306,869	S	3/1990	Takahashi		
D313,029	S *	12/1990	Lee	.....	D16/133
D320,026	S *	9/1991	Lee	.....	D16/133
5,062,698	A	11/1991	Funathu		
D359,972	S	7/1995	Takahashi		
D378,216	S	2/1997	Takahashi		
D381,669	S *	7/1997	Hashimoto et al.	.....	D16/133
D383,474	S *	9/1997	Hashimoto	.....	D16/133
D473,884	S *	4/2003	Hayamizu	.....	D16/133
D478,340	S *	8/2003	Hayamizu	.....	D16/133
D479,256	S *	9/2003	Matsushita	.....	D16/133

**FOREIGN PATENT DOCUMENTS**

JP	S 893692	3/1994
JP	S 897830	5/1994
JP	S 897830	1/1996
JP	S 992537	10/1997
JP	S 1020218	9/1998
JP	S 1020219	9/1998
JP	S 1022420	10/1998
JP	S 1022421	10/1998
JP	S 1049027	9/1999
JP	S 1075188	6/2000
JP	S 1128399	12/2001
JP	S 1140088	4/2002
JP	S 1160655	12/2002
JP	S 1160765	12/2002
JP	S 1165069	2/2003

\* cited by examiner

*Primary Examiner*—Paula A. Greene  
(74) *Attorney, Agent, or Firm*—Oliff & Berridge, PLC

(57) **CLAIM**

The ornamental design for binoculars, as shown and described.

**DESCRIPTION**

FIG. 1 is a front perspective view of binoculars showing our new design;  
FIG. 2 is a front view thereof;  
FIG. 3 is a rear view thereof;  
FIG. 4 is a top view thereof;  
FIG. 5 is a bottom view thereof;  
FIG. 6 is a right side view thereof;  
FIG. 7 is a left side view thereof; and,  
FIG. 8 is a front perspective view thereof, in a folded position.

**1 Claim, 6 Drawing Sheets**







Fig. 1



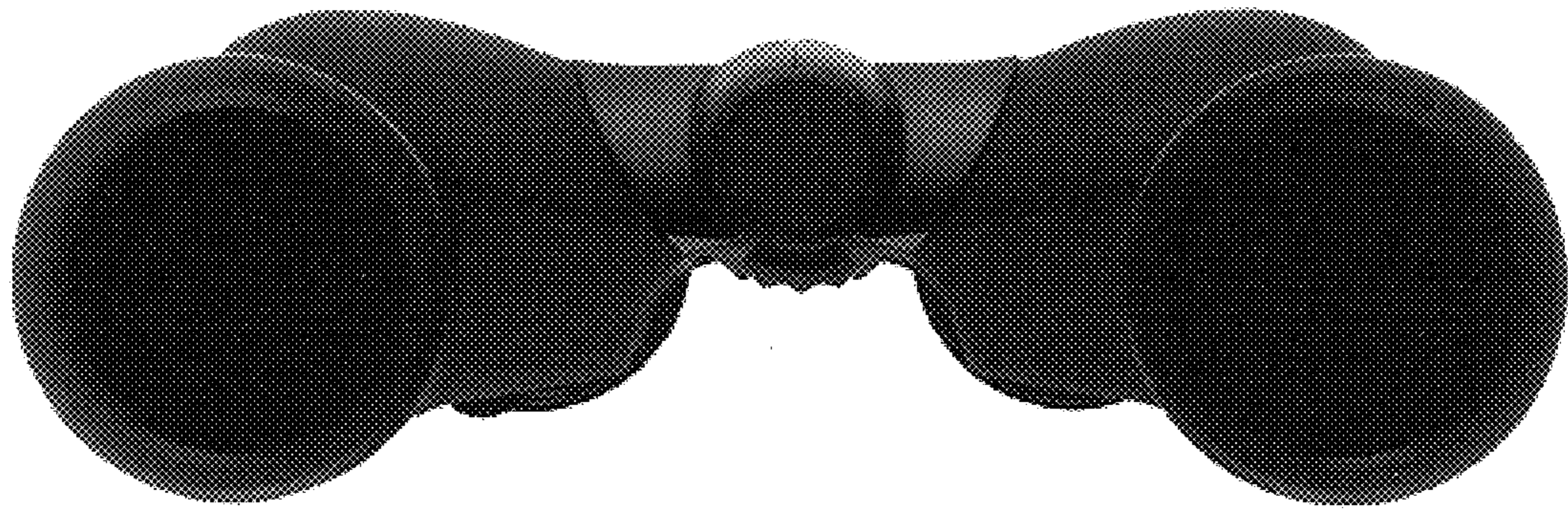


Fig. 2

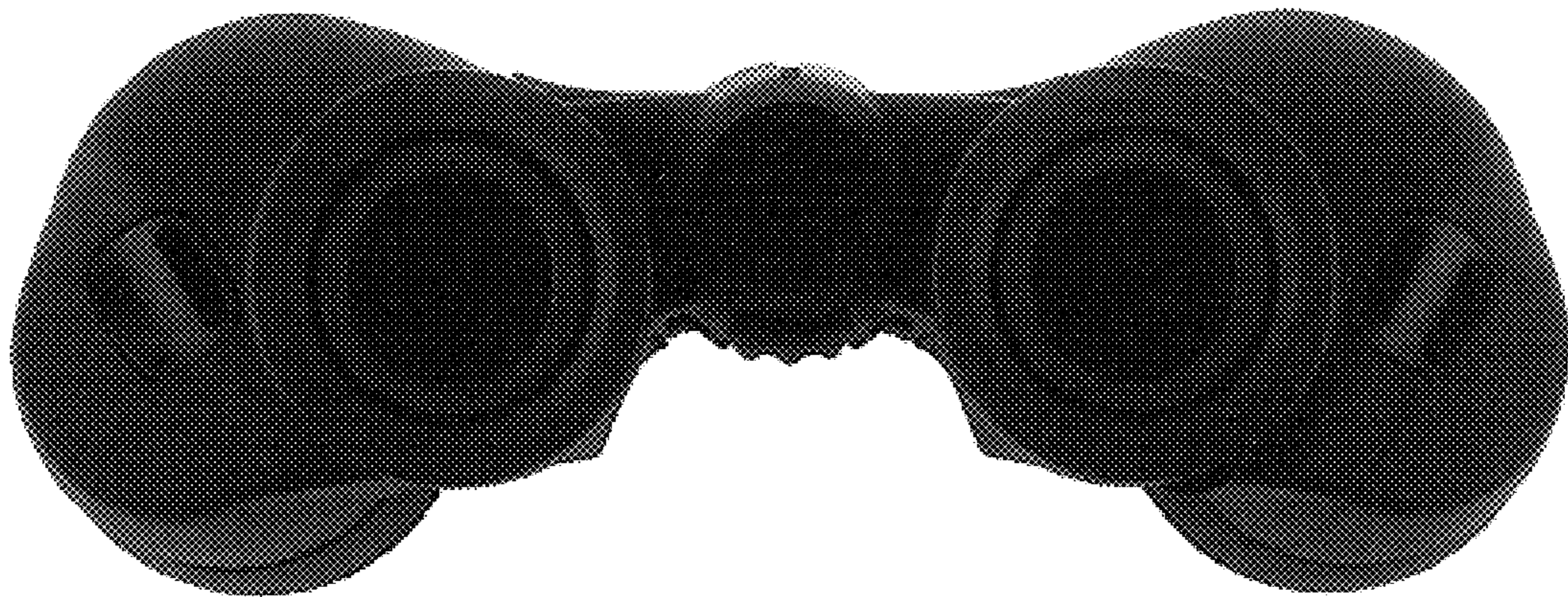


Fig. 3



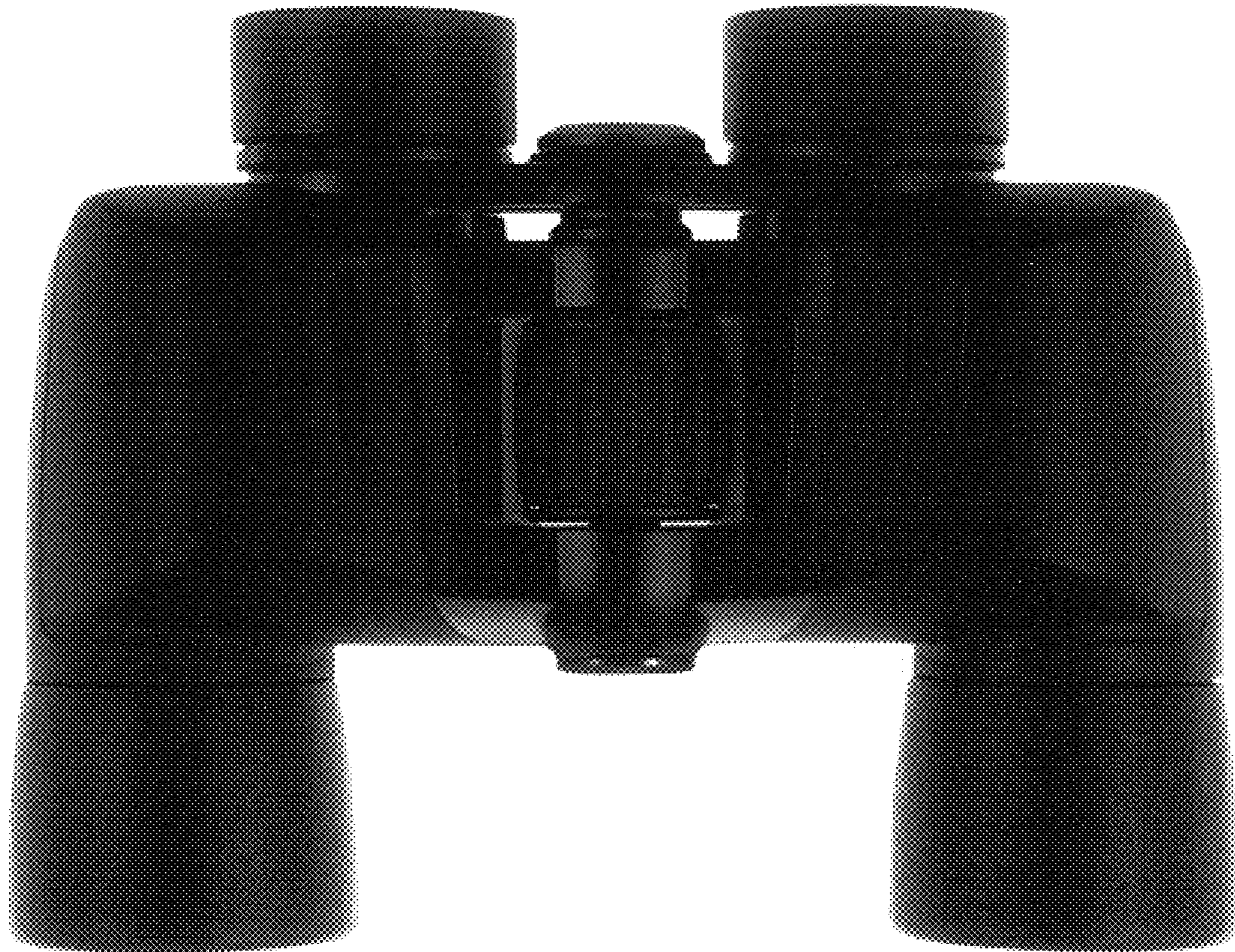


Fig. 4



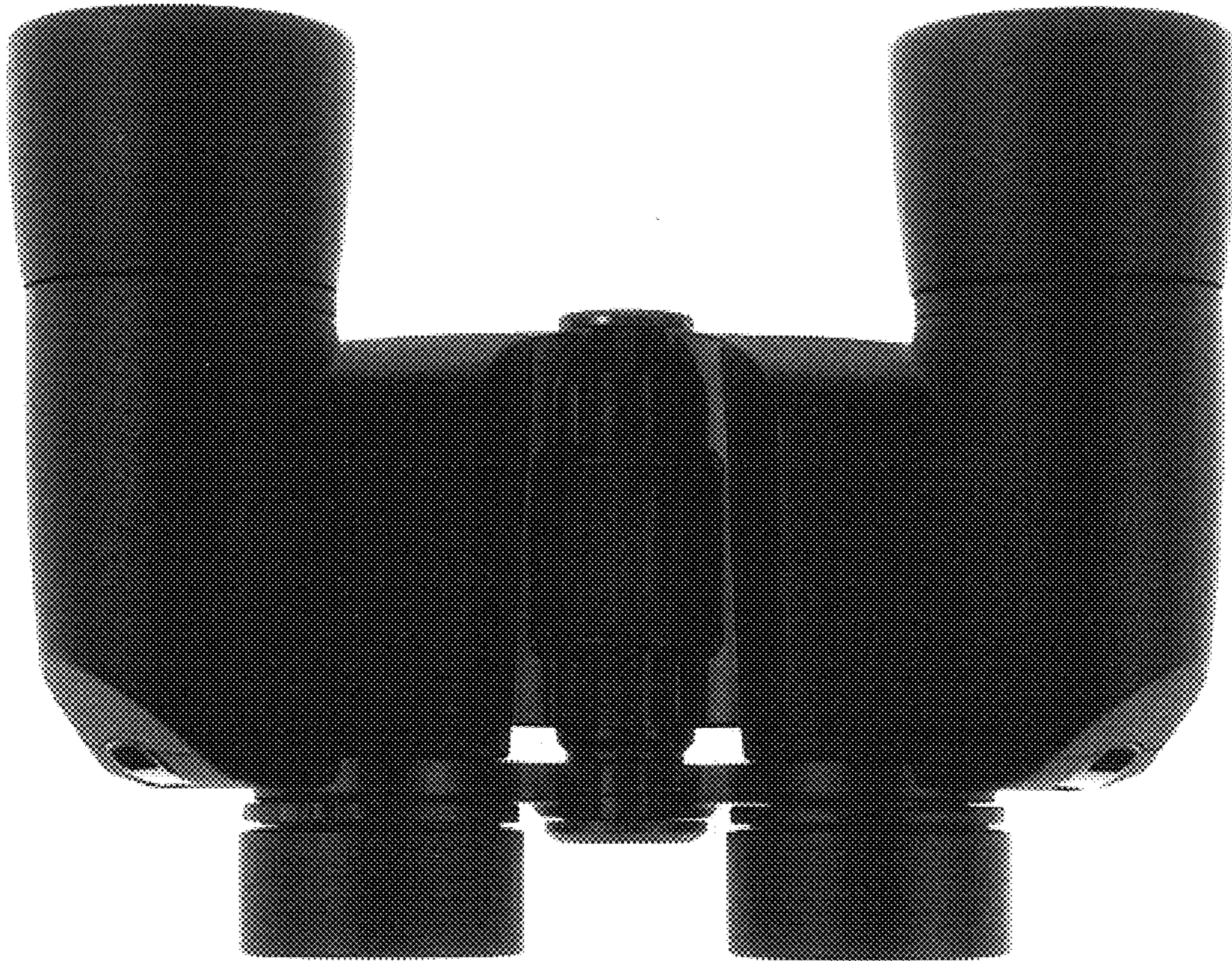


Fig. 5



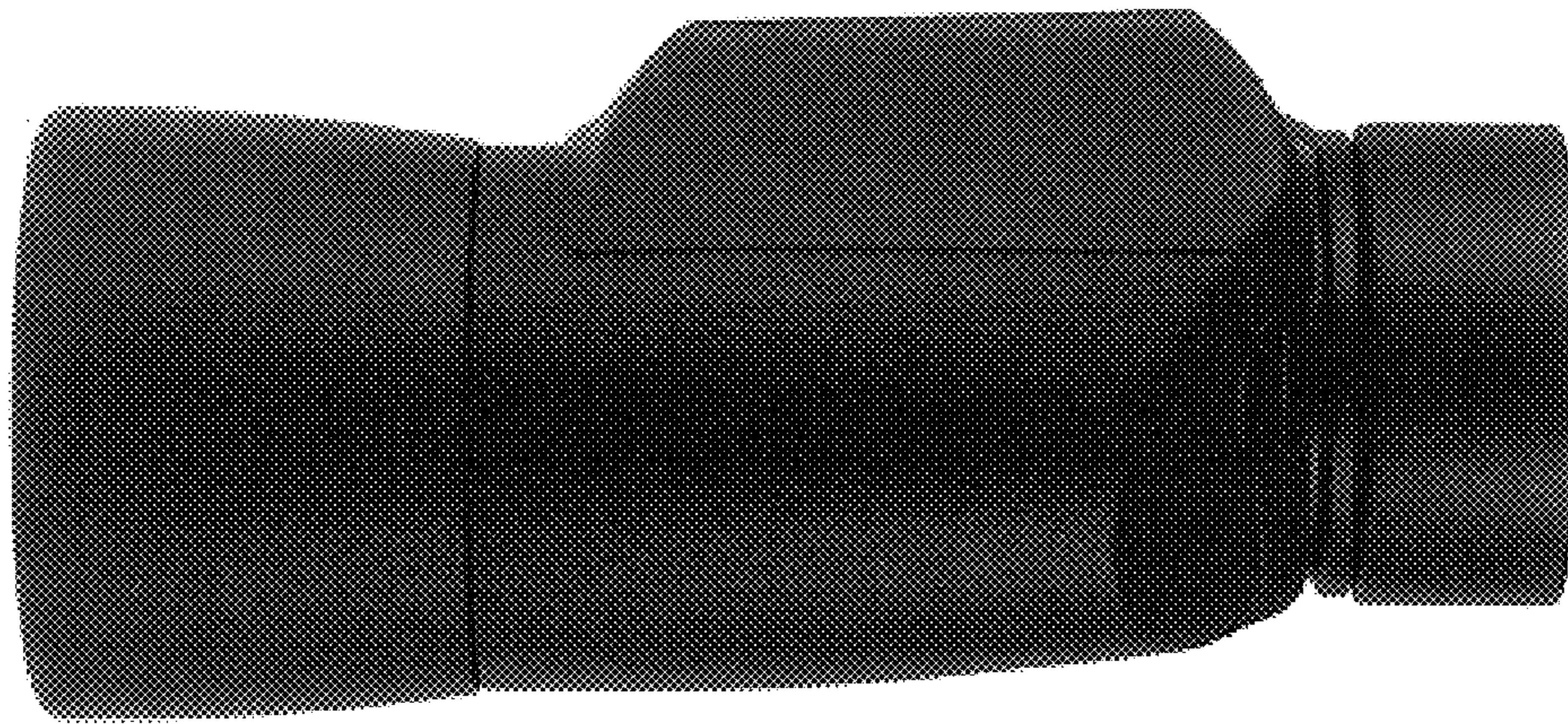


Fig. 6

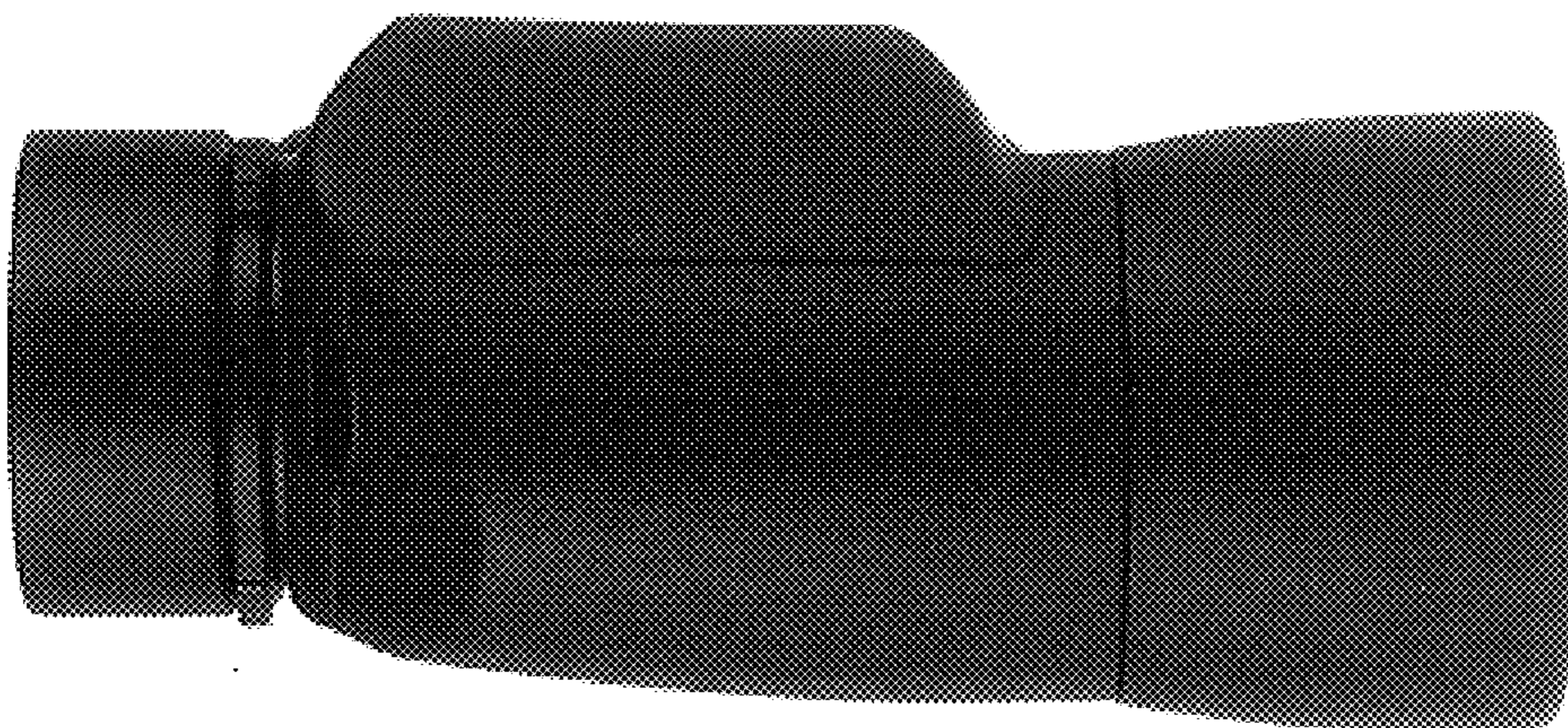


Fig. 7





Fig. 8