



US00D523881S

(12) **United States Design Patent**  
**Edwards et al.**

(10) **Patent No.:** **US D523,881 S**  
(45) **Date of Patent:** **\*\* Jun. 27, 2006**

- (54) **OPHTHALMIC LENS**
- (75) Inventors: **Timothy D. Edwards**, Cleveland, OH (US); **Gerald Kotnik**, Perry, OH (US)
- (73) Assignee: **Volk Optical, Inc.**, Mentor, OH (US)
- (\*\*) Term: **14 Years**
- (21) Appl. No.: **29/228,961**
- (22) Filed: **Apr. 29, 2005**
- (51) **LOC (8) Cl.** ..... **16-99**
- (52) **U.S. Cl.** ..... **D16/130**
- (58) **Field of Classification Search** ..... D16/130, D16/133, 134, 136, 237; 359/382-384, 353, 359/399, 405, 407, 412, 413, 415, 419, 430, 359/480, 510, 802-805, 810-811, 827, 530; D26/113; 24/3.13; 224/257, 610, 908; 206/316.1, 206/821; 396/530  
See application file for complete search history.

- 3,924,786 A \* 12/1975 Duquette ..... 224/251
- D271,209 S \* 11/1983 Feinbloom ..... D16/237
- D272,745 S \* 2/1984 Feinbloom et al. .... D16/130
- 4,893,143 A \* 1/1990 Sheng-Huei ..... 396/530
- 5,311,358 A \* 5/1994 Pederson et al. .... 359/510
- D353,684 S \* 12/1994 Moussa ..... D26/113
- 5,455,711 A \* 10/1995 Palmer ..... 359/353
- D374,878 S \* 10/1996 Palmer ..... D16/130
- D387,787 S \* 12/1997 Palmer ..... D16/130

\* cited by examiner

*Primary Examiner*—Paula A. Greene

(74) *Attorney, Agent, or Firm*—Dinsmore & Shohl LLP

(57) **CLAIM**

The ornamental design for a ophthalmic lens, as shown and described.

**DESCRIPTION**

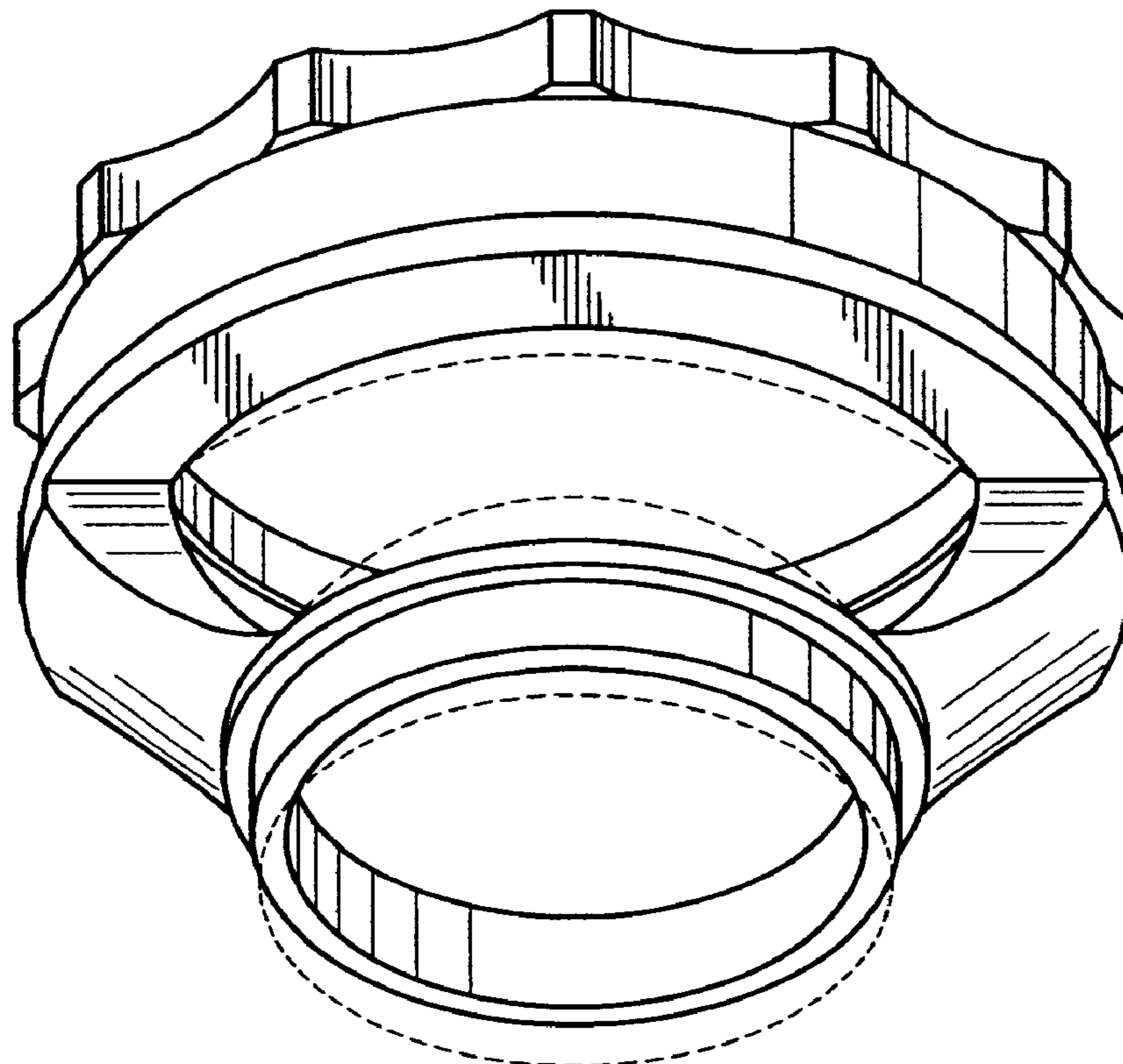
FIG. 1 is a top perspective view of the ophthalmic lens; FIG. 2 is a bottom perspective view of the ophthalmic lens; FIG. 3 is a front elevational view of the ophthalmic lens; FIG. 4 is a side elevational view of the ophthalmic lens; FIG. 5 is a top plan view of the ophthalmic lens; and, FIG. 6 is a bottom plan view of the ophthalmic lens. The broken lines in FIGS. 1,2,3,4 are for illustrative purposes only and forms no part of the claimed design.

**1 Claim, 3 Drawing Sheets**

(56) **References Cited**

**U.S. PATENT DOCUMENTS**

- 2,136,149 A \* 11/1938 Nuchterlein ..... 359/827
- 2,287,468 A \* 6/1942 Cisski ..... 359/827
- D138,816 S \* 9/1944 Glasser ..... D16/133
- 3,828,991 A \* 8/1974 Moore ..... 224/610



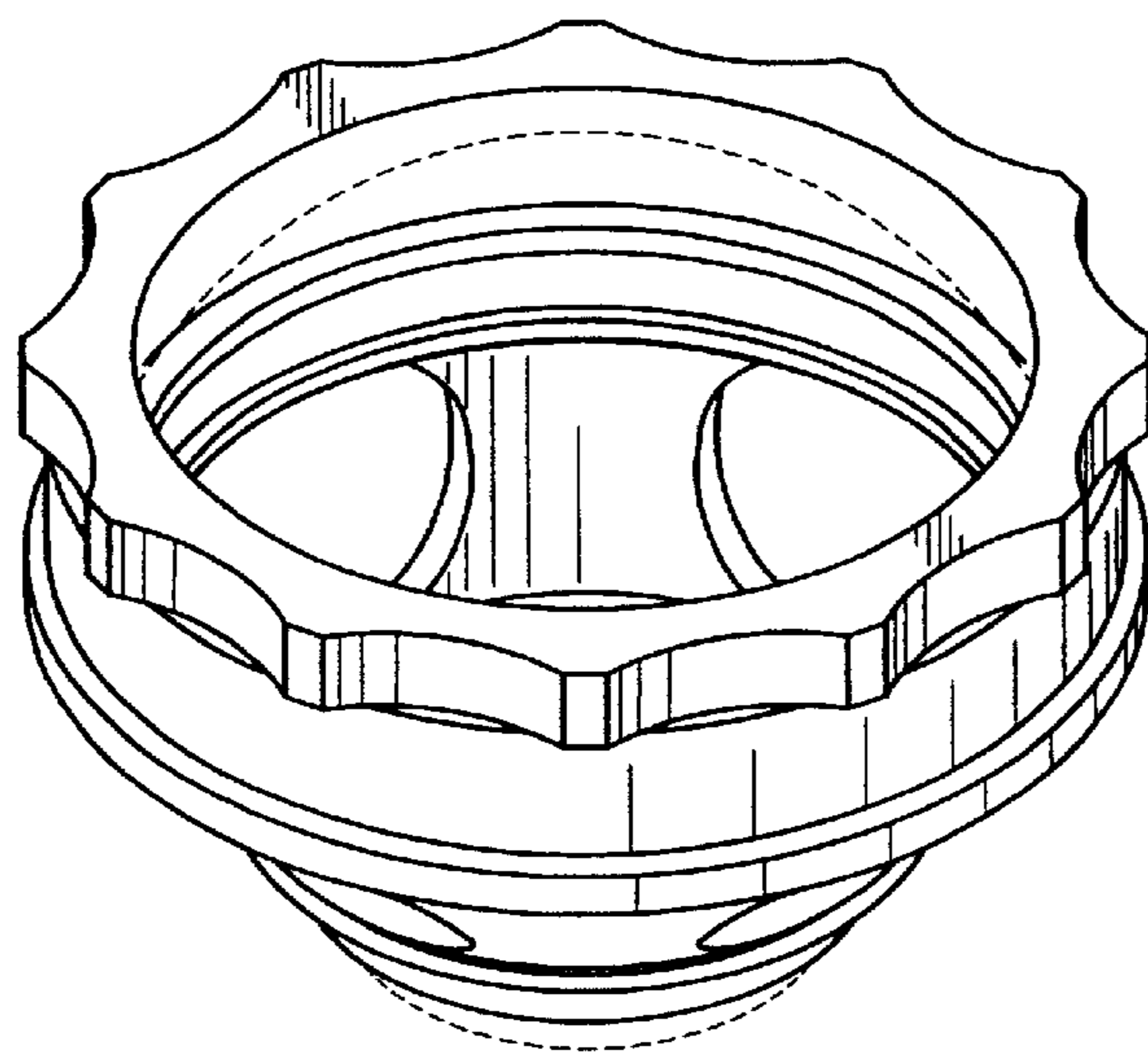


Fig. 1

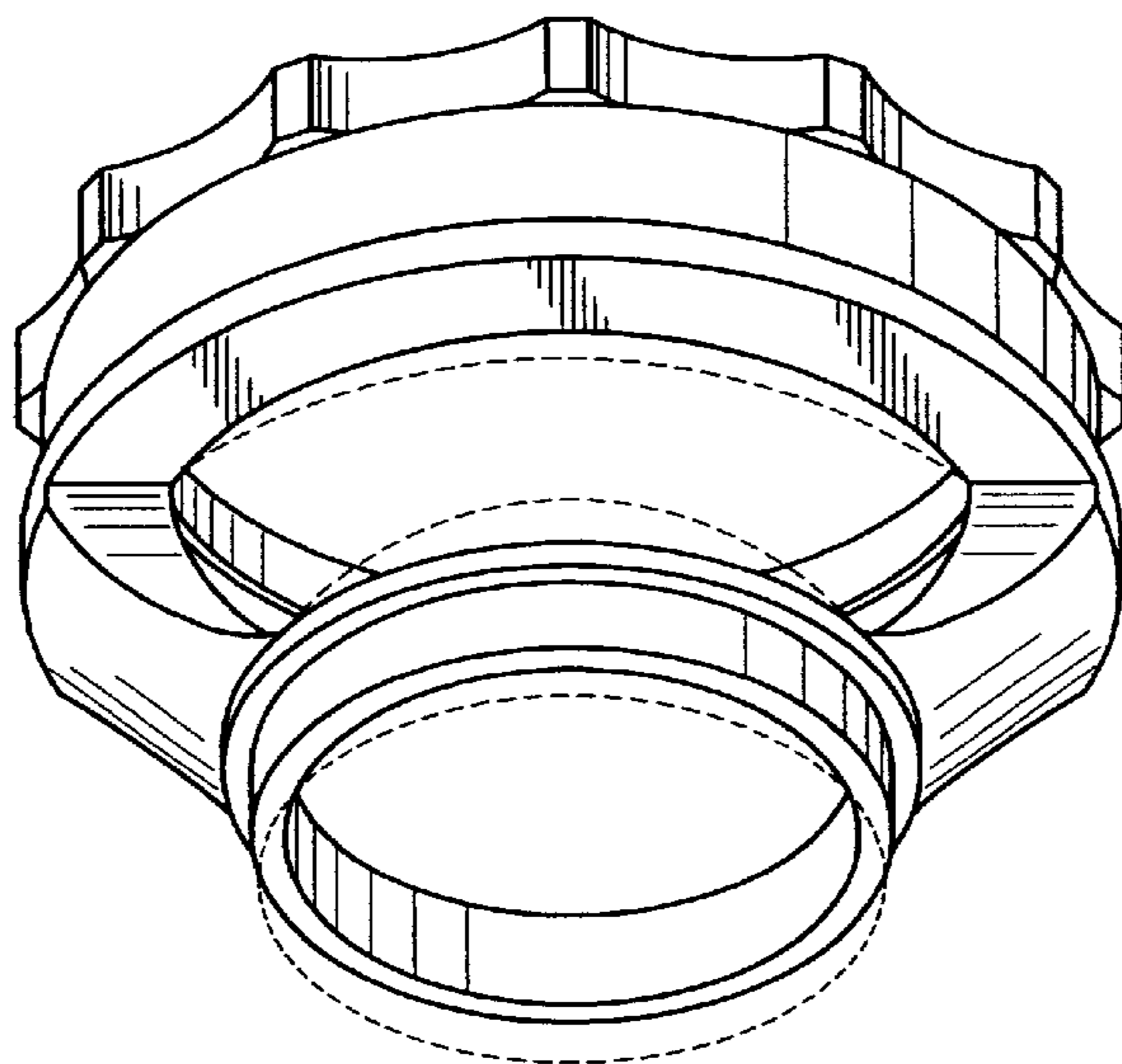


Fig. 2

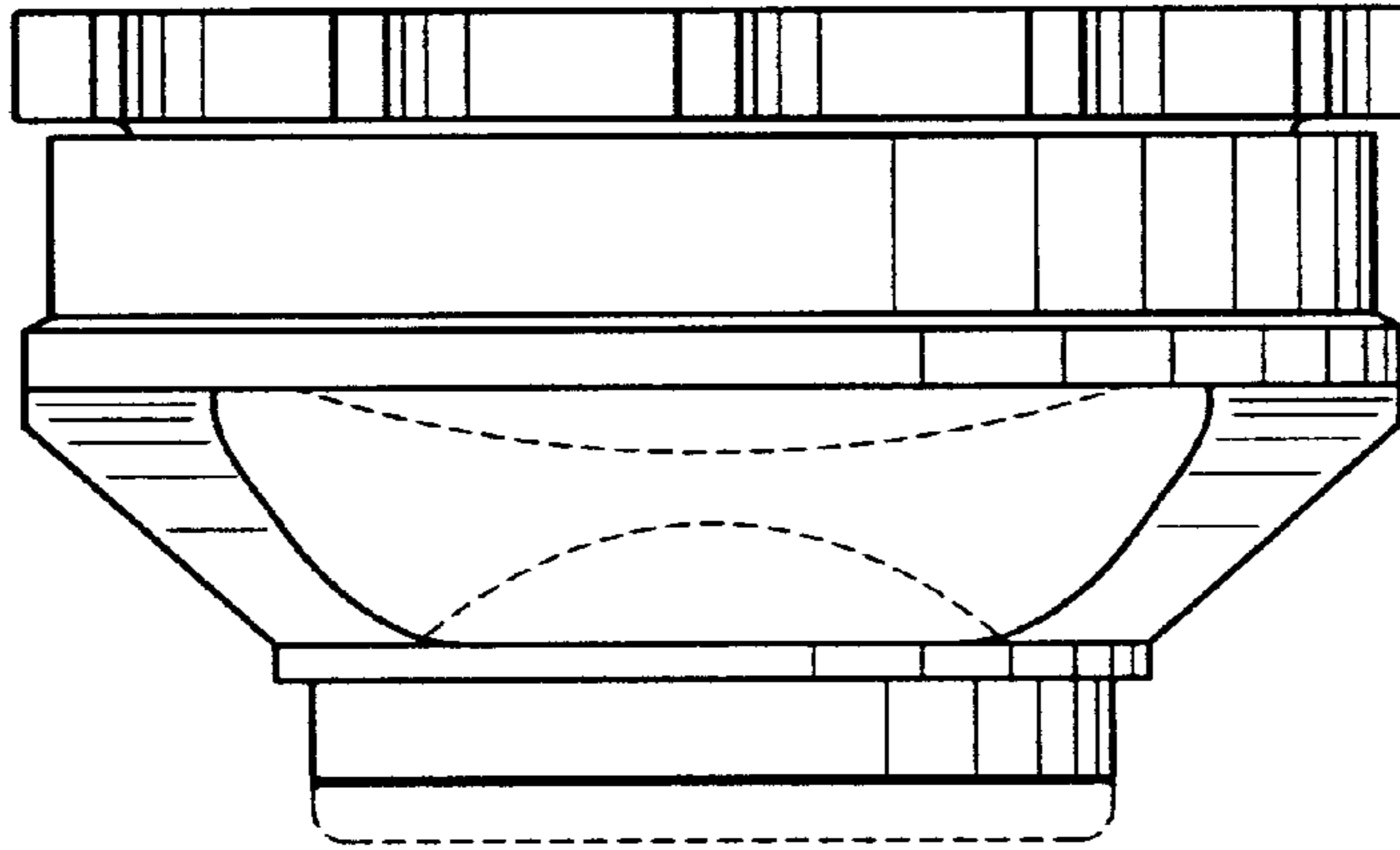


Fig. 3

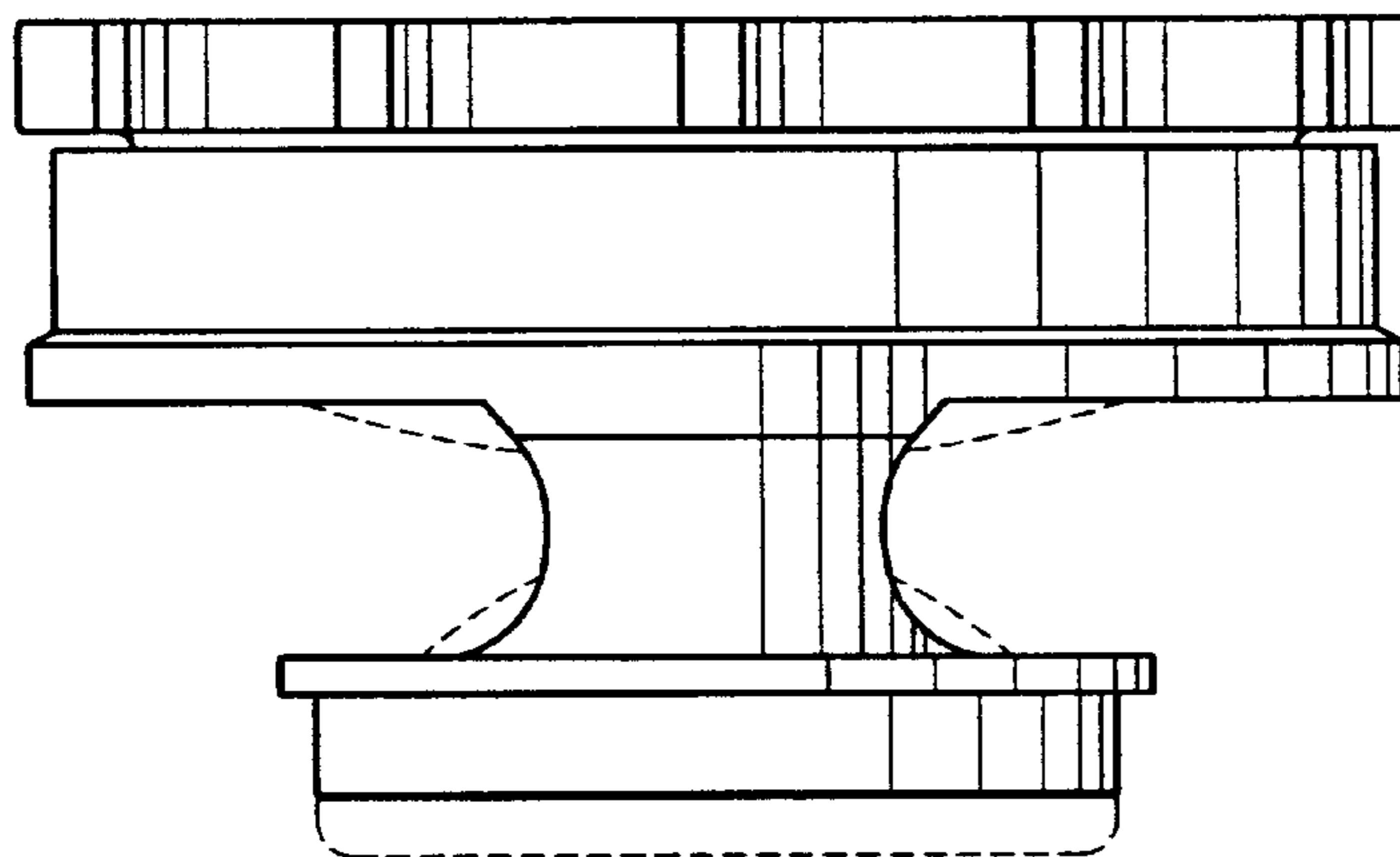


Fig. 4

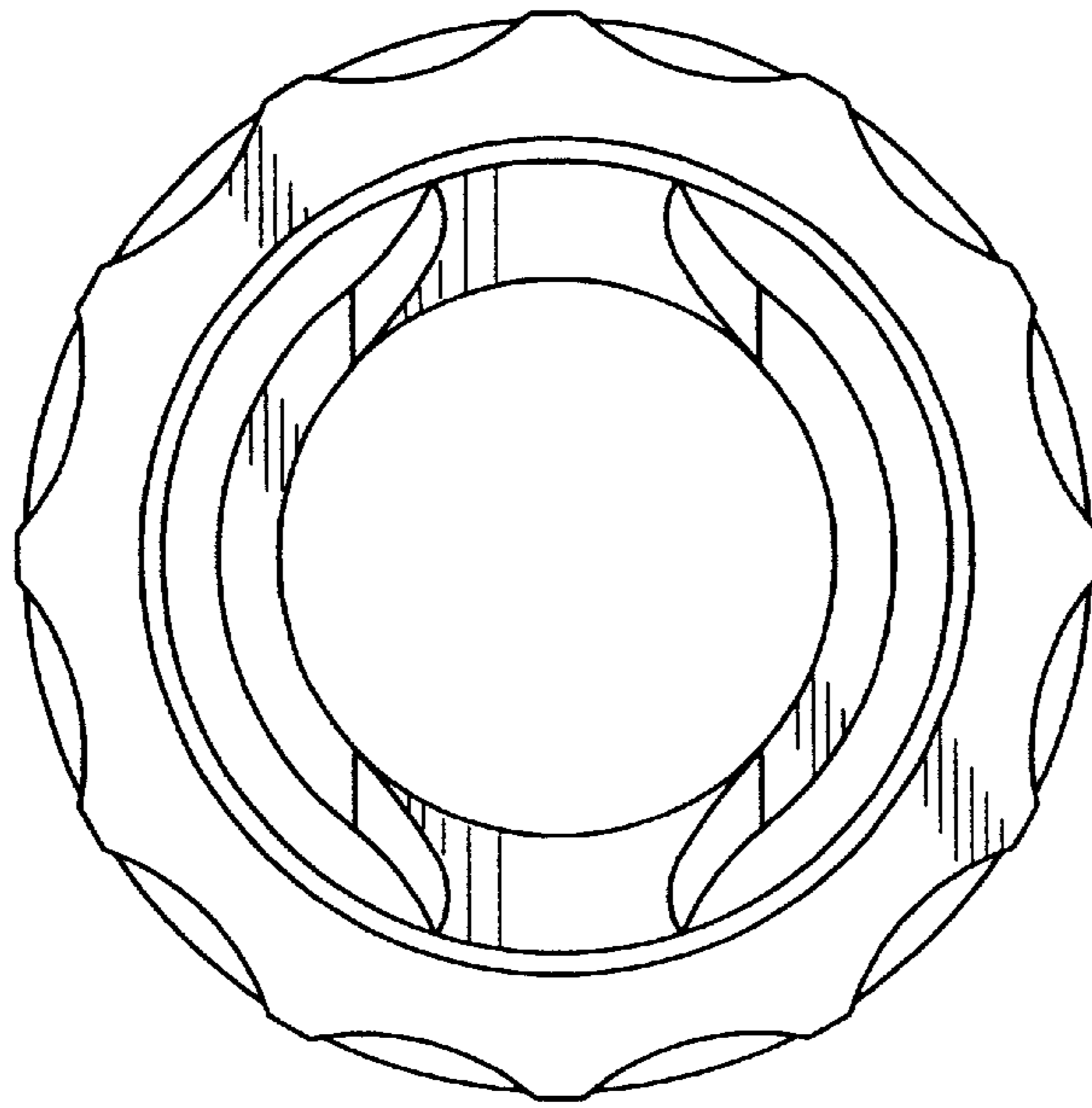


Fig. 5

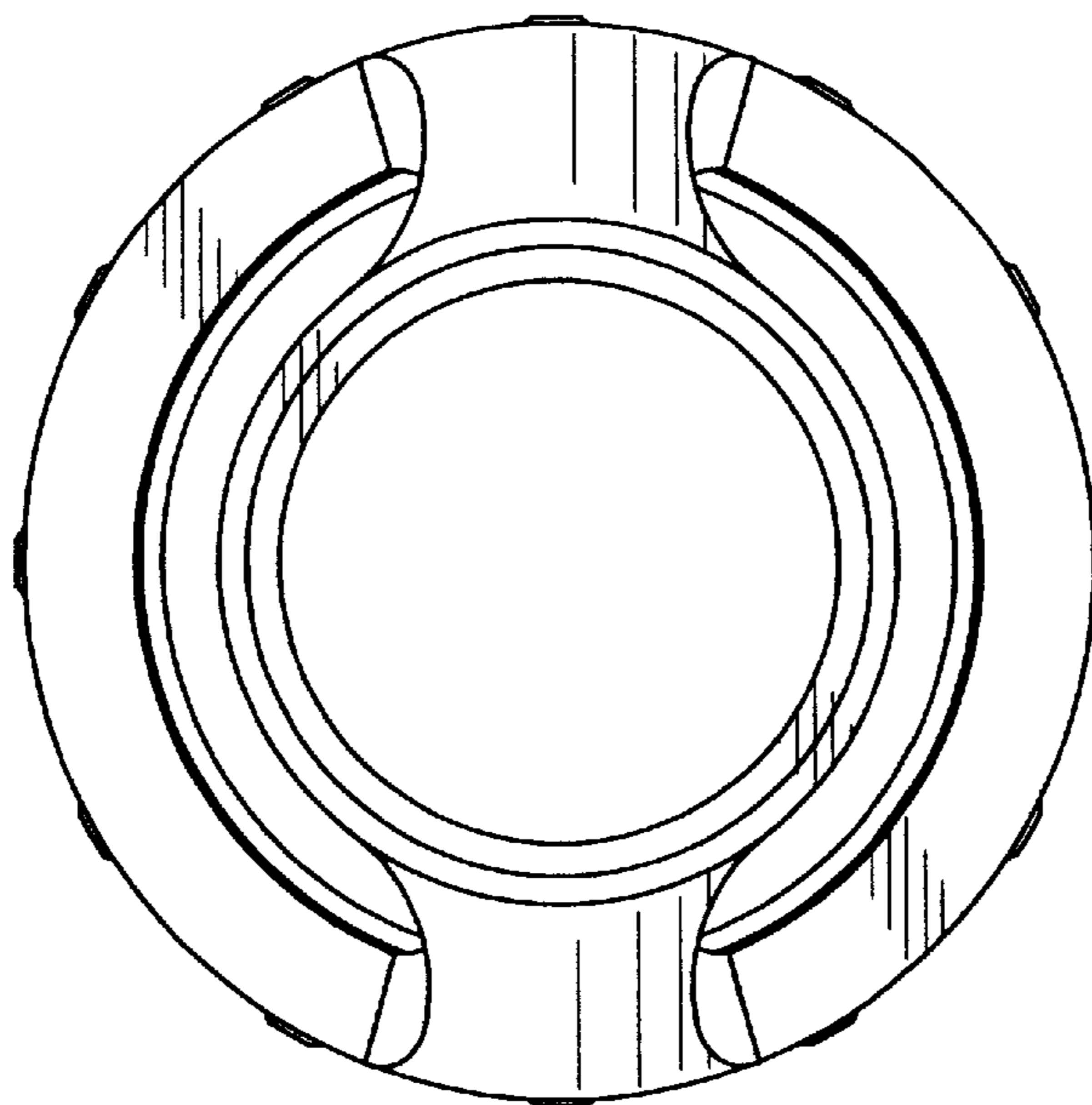


Fig. 6