

US00D523880S

(12) **United States Design Patent**
Christensen et al.

(10) **Patent No.:** **US D523,880 S**

(45) **Date of Patent:** **** Jun. 27, 2006**

(54) **LINEAR ACTUATOR**

(75) Inventors: **Bruno Christensen**, Nordborg (DK);
Finn Jacobsen, Nordborg (DK); **John Landerholm**, Århus C (DK)

(73) Assignee: **Linak A/S**, Nordberg (DK)

(**) Term: **14 Years**

(21) Appl. No.: **29/211,648**

(22) Filed: **Aug. 19, 2004**

(30) **Foreign Application Priority Data**

Feb. 24, 2004 (DK) 2004 00041

(51) **LOC (8) Cl.** **15-09**

(52) **U.S. Cl.** **D15/143**

(58) **Field of Classification Search** D15/143,
D15/199; 74/89.15, 490.09, 411.5; 310/20,
310/80; 297/14, 325, 327

See application file for complete search history.

(56) **References Cited**

U.S. PATENT DOCUMENTS

D333,666 S * 3/1993 Kawashima et al. D15/142

D412,918 S * 8/1999 Nagai et al. D15/199
D458,284 S * 6/2002 Landerholm et al. D15/143
D467,950 S * 12/2002 Christensen et al. D15/199

* cited by examiner

Primary Examiner—Antoine D. Davis

Assistant Examiner—Patricia Palasik

(74) *Attorney, Agent, or Firm*—Dykema Gossett PLLC

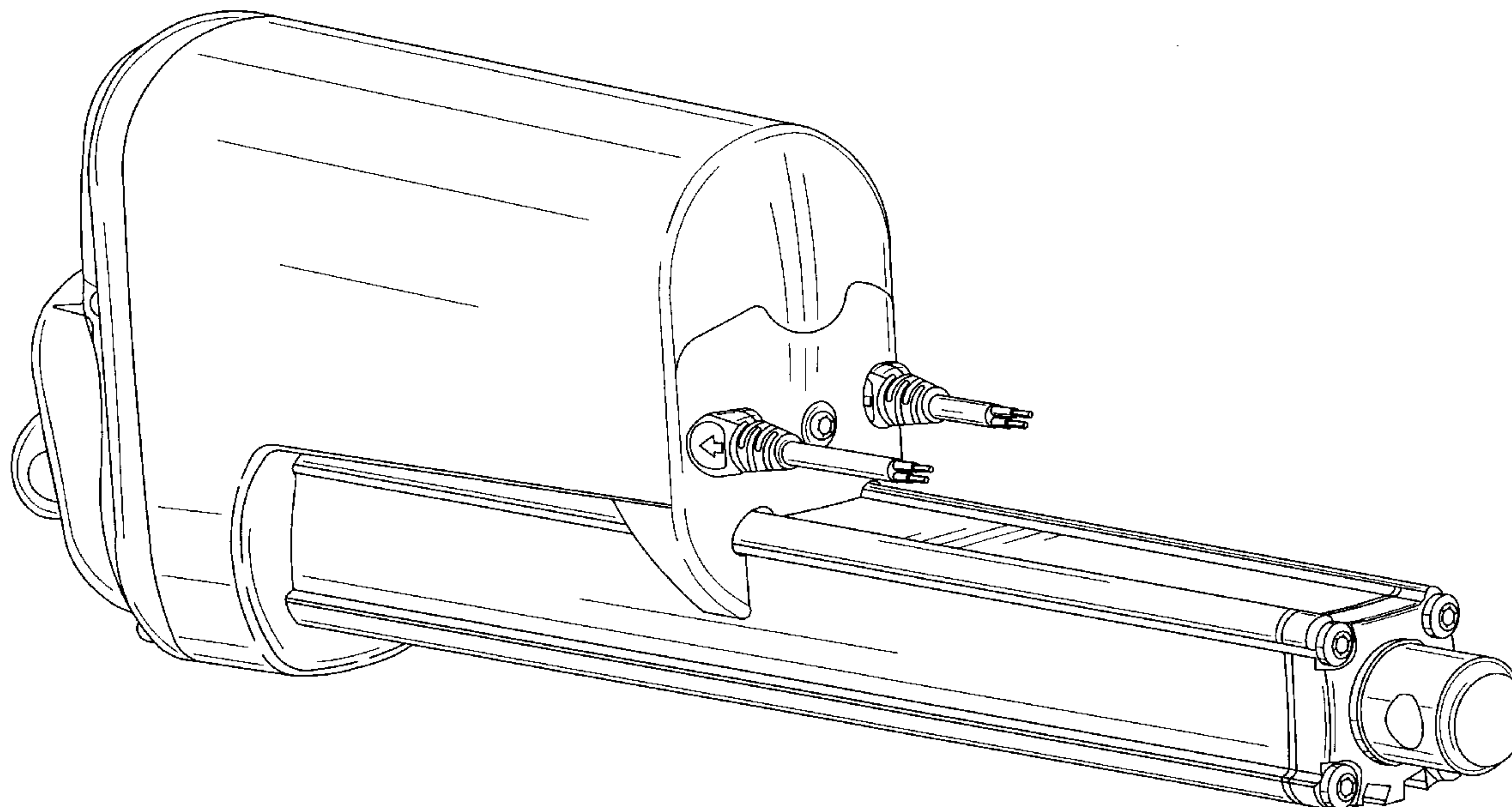
(57) **CLAIM**

The ornamental design for a linear actuator, as shown and described.

DESCRIPTION

FIG. 1 is a perspective front top view;
FIG. 2 is a perspective rear bottom view;
FIG. 3 is an elevational left side view;
FIG. 4 is a top plan view;
FIG. 5 is an elevational right side view;
FIG. 6 is a bottom plain view;
FIG. 7 is an elevational rear end view;
FIG. 8 is an elevational front end view; and,
FIG. 9 is a perspective front top view with an extension rod
in an extended position.

1 Claim, 8 Drawing Sheets



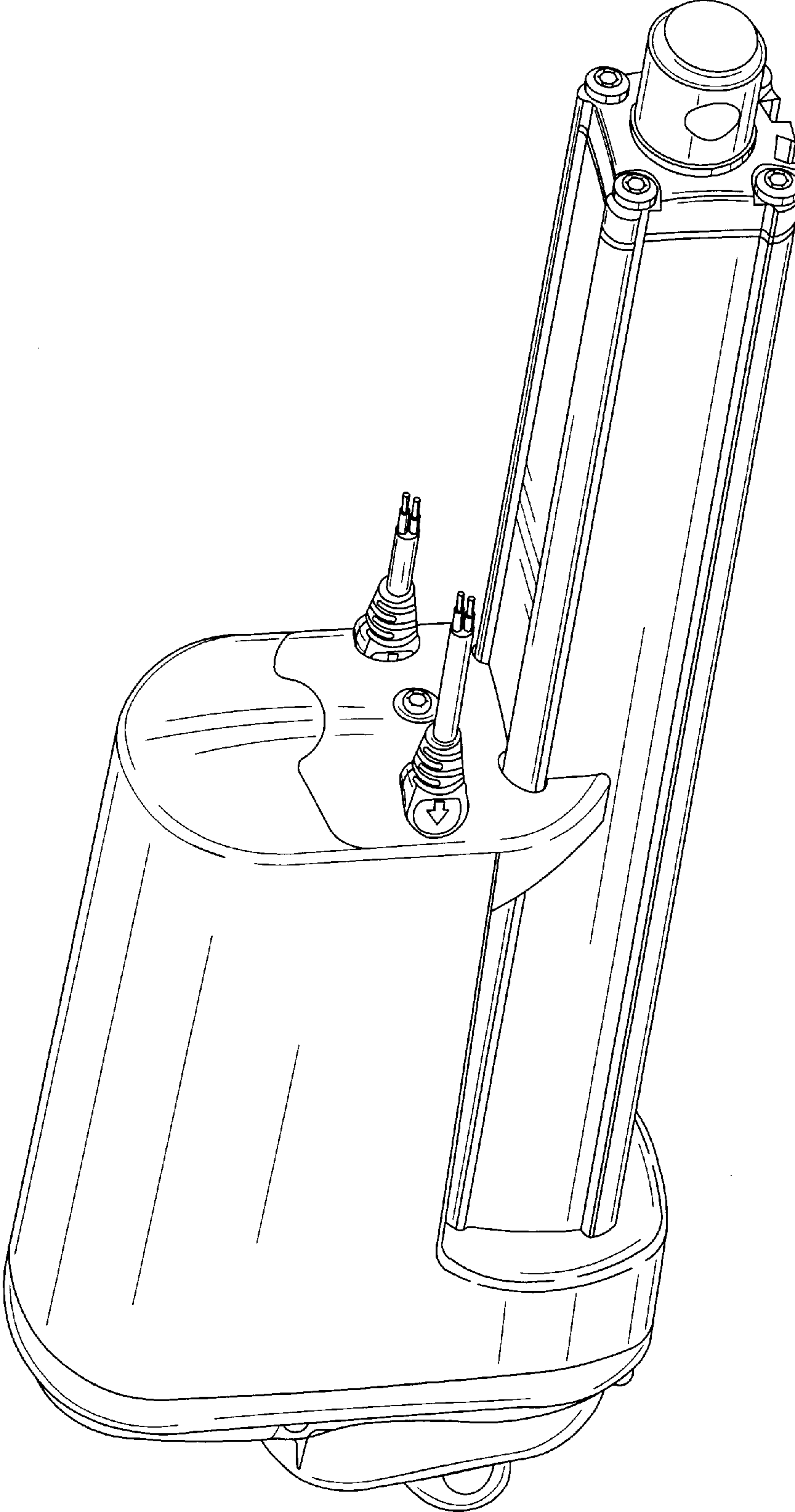


FIG. 1

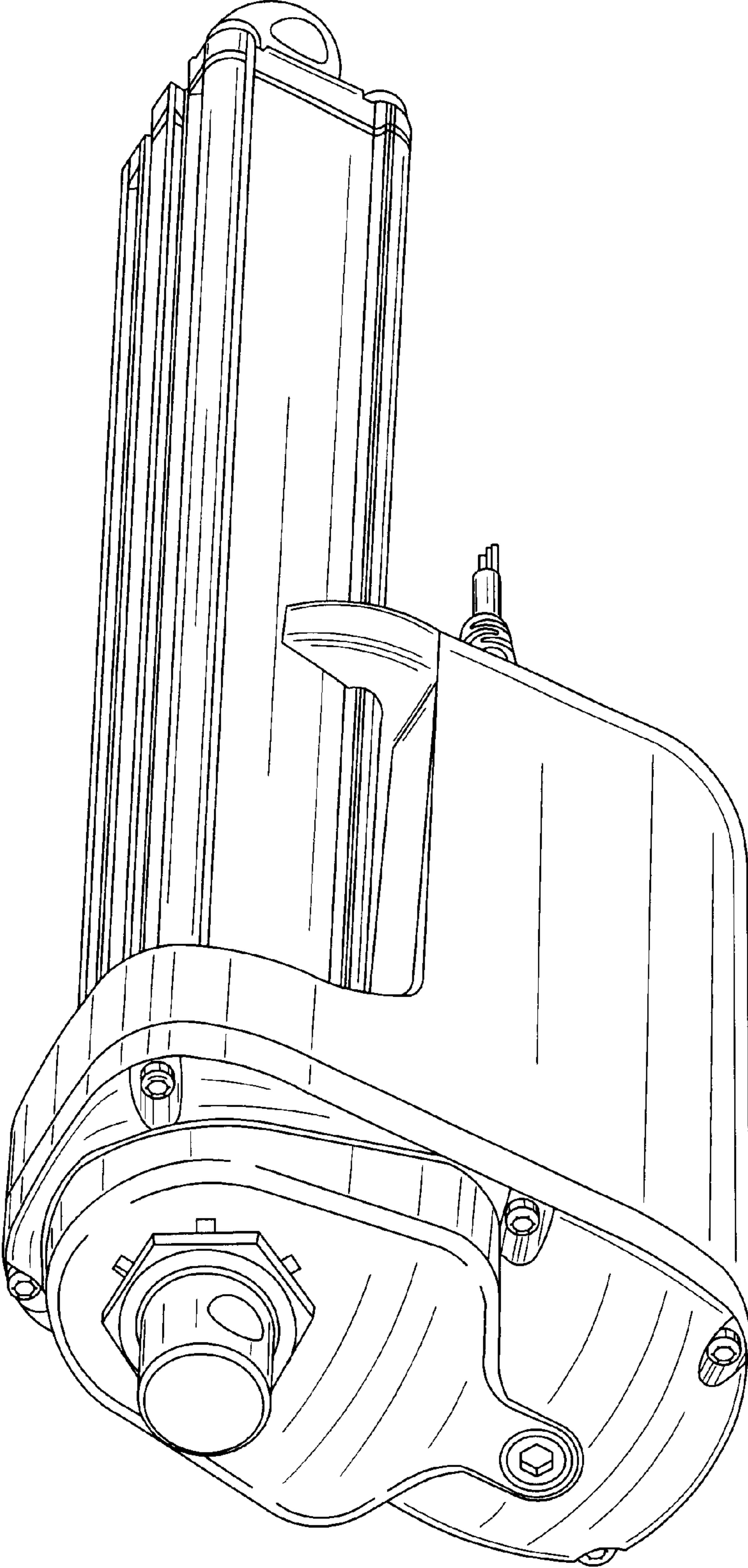


FIG. 2

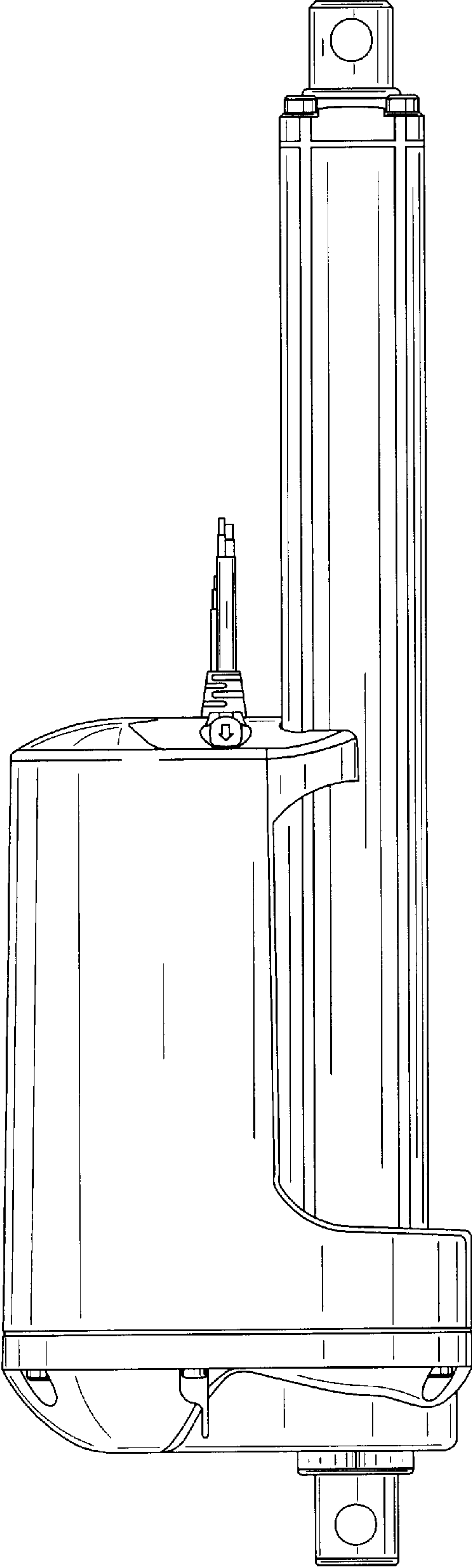


FIG. 3

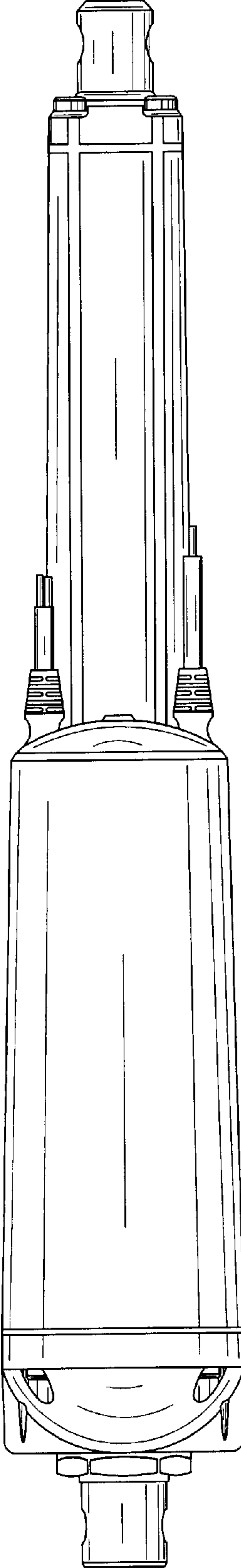


FIG. 4

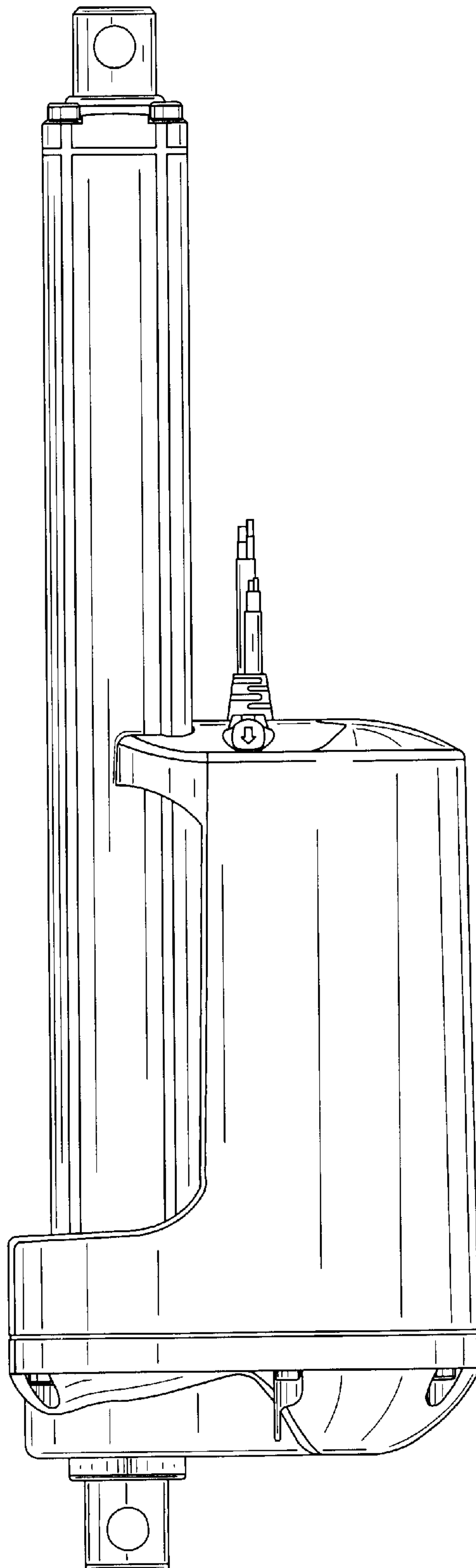


FIG. 5

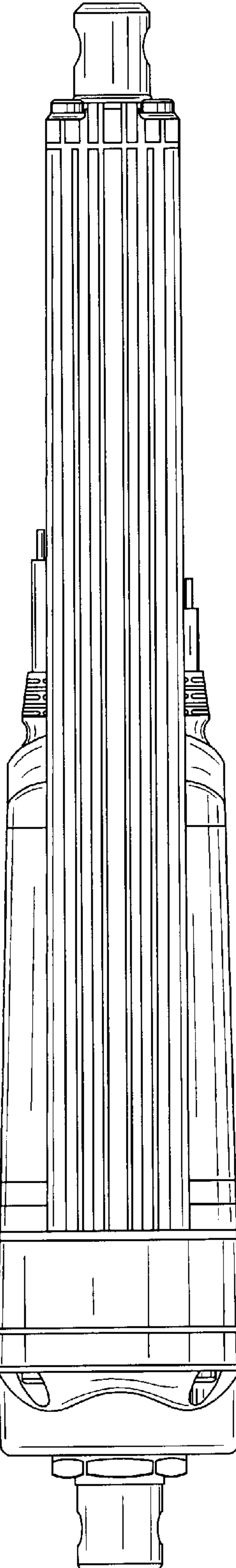


FIG. 6

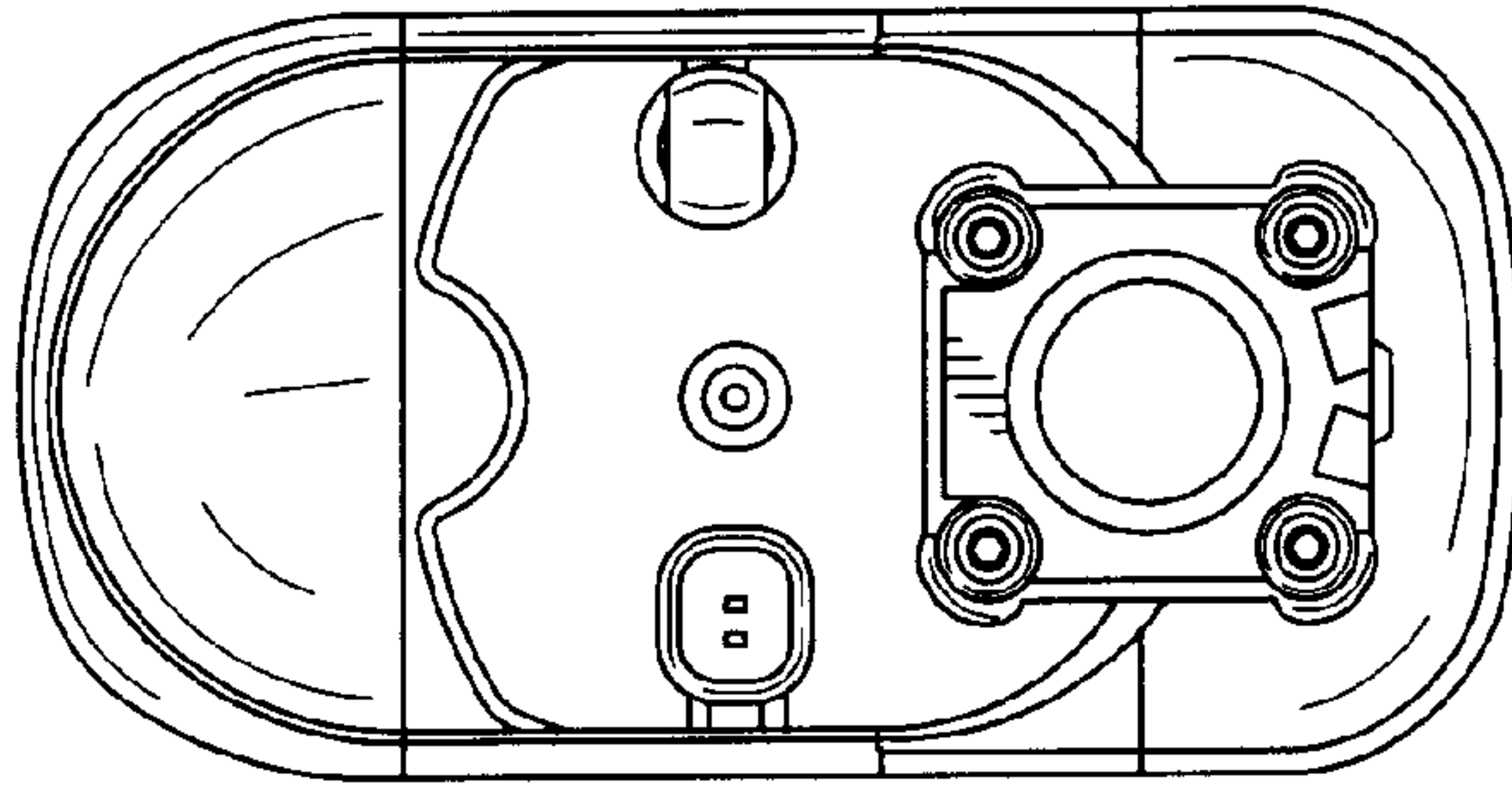


FIG. 8

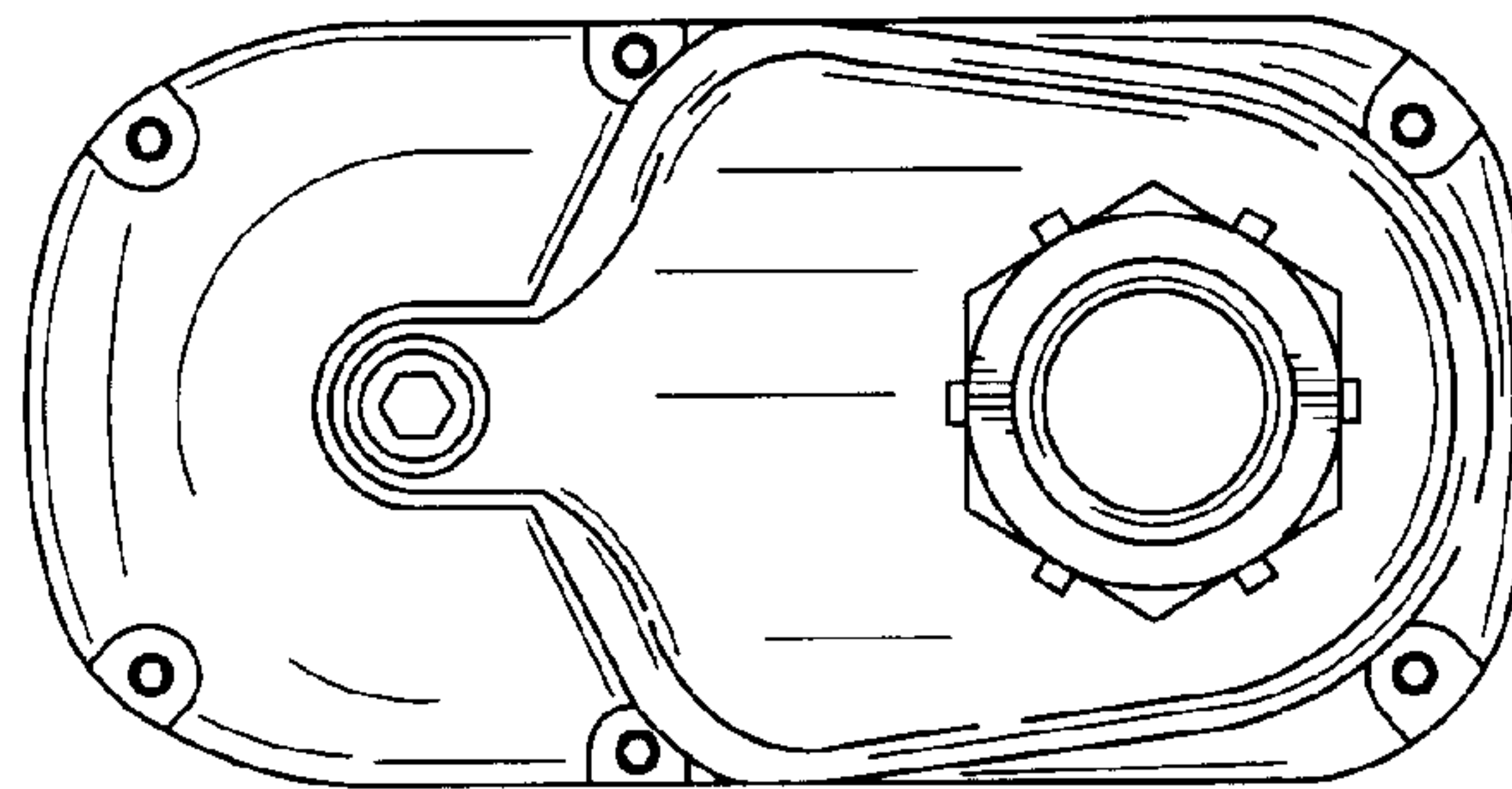


FIG. 7

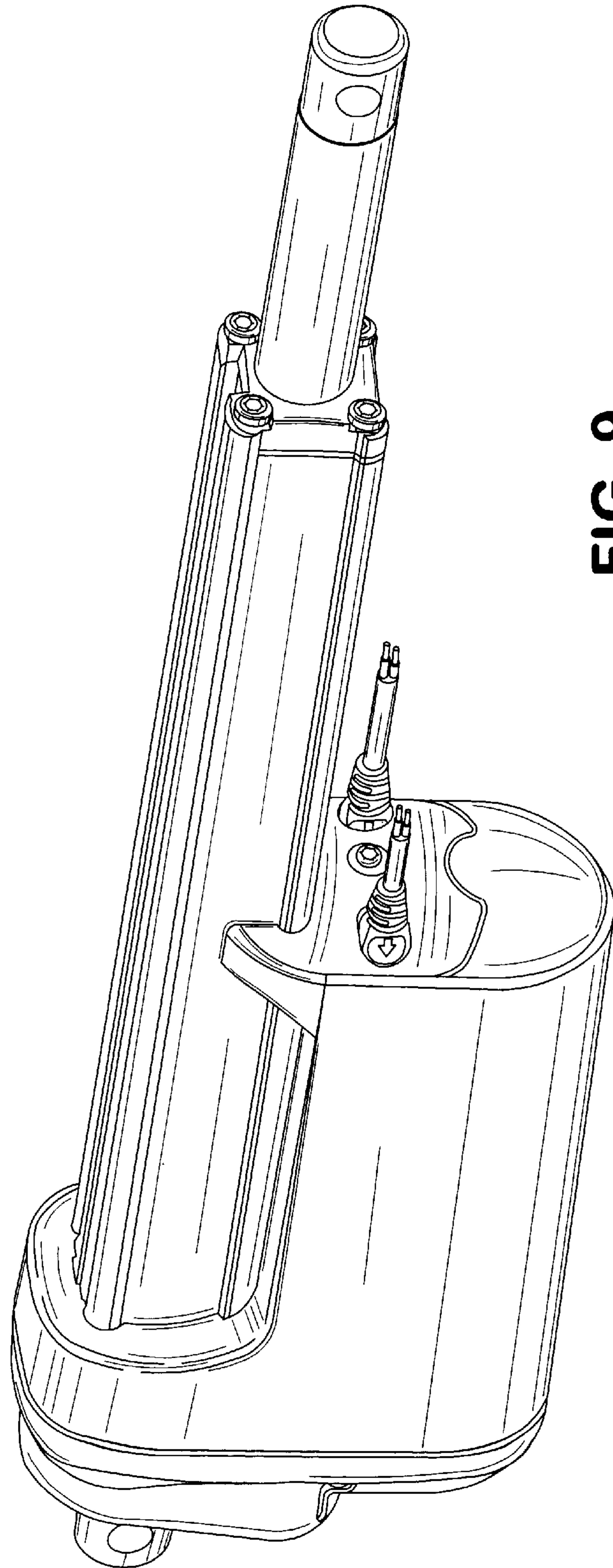


FIG. 9