

US00D523875S

(12) **United States Design Patent**
Kim

(10) **Patent No.:** **US D523,875 S**

(45) **Date of Patent:** **** Jun. 27, 2006**

(54) **EXCAVATOR CABIN**

(75) Inventor: **Hak Shin Kim**, Masan (KR)

(73) Assignee: **Volvo Construction Equipment Holding Sweden AB**, Eskilstuna (SE)

(**) Term: **14 Years**

(21) Appl. No.: **29/232,637**

(22) Filed: **Jun. 22, 2005**

(30) **Foreign Application Priority Data**

Jan. 28, 2005 (KR) 30-2005-0003037

(51) **LOC (8) Cl.** **15-03**

(52) **U.S. Cl.** **D15/30**

(58) **Field of Classification Search** D15/10,
D15/15, 22-26, 28, 30, 33; D12/96; D34/37;
180/89.1, 900, 89.12, 311, 89.13; 296/190,
296/204, 190.01, 190.03, 181.1; 414/680,
414/685, 687, 688, 694

See application file for complete search history.

(56) **References Cited**

U.S. PATENT DOCUMENTS

D249,523 S	*	9/1978	Segales	D15/30
D288,206 S	*	2/1987	Moscovitch	D15/30
D292,632 S	*	11/1987	Lich	D34/37
5,096,253 A	*	3/1992	Jo et al.	296/190.1
5,273,340 A	*	12/1993	Nelson et al.	296/190.08
D366,267 S	*	1/1996	Lepoix	D15/30
D389,984 S	*	1/1998	Johansson	D34/37
D391,273 S	*	2/1998	Linder	D15/30
D394,069 S	*	5/1998	Muranen	D15/30
D398,616 S	*	9/1998	Kwak et al.	D15/30
D427,612 S	*	7/2000	Shim	D15/23

D432,145 S	*	10/2000	Kraft et al.	D15/30
D433,689 S	*	11/2000	Kraft et al.	D15/30
D455,763 S	*	4/2002	Brandenburg et al.	D15/30
D463,461 S	*	9/2002	Yanagida et al.	D15/30
D463,462 S	*	9/2002	Yanagida et al.	D15/30
D463,807 S	*	10/2002	Tamaru et al.	D15/30
D471,213 S	*	3/2003	Kwak et al.	D15/30
D481,044 S	*	10/2003	Tokach et al.	D15/30
6,669,272 B1	*	12/2003	Ayabe et al.	296/190.08
D505,432 S	*	5/2005	Antonetti	D15/30

* cited by examiner

Primary Examiner—Mitchell Siegel

Assistant Examiner—Mark Goodwin

(74) *Attorney, Agent, or Firm*—Ladas & Parry LLP

(57) **CLAIM**

The ornamental design for an excavator cabin, as shown and described.

DESCRIPTION

FIG. 1 is a perspective view of an excavator cabin according to my new design;

FIG. 2 is a front view of an excavator cabin according to my new design;

FIG. 3 is a rear view of an excavator cabin according to my new design;

FIG. 4 is a left view of an excavator cabin box according to my new design;

FIG. 5 is a right view of an excavator cabin according to my new design;

FIG. 6 is a plan view of an excavator cabin according to my new design; and,

FIG. 7 is a bottom view of an excavator cabin according to my new design.

1 Claim, 7 Drawing Sheets

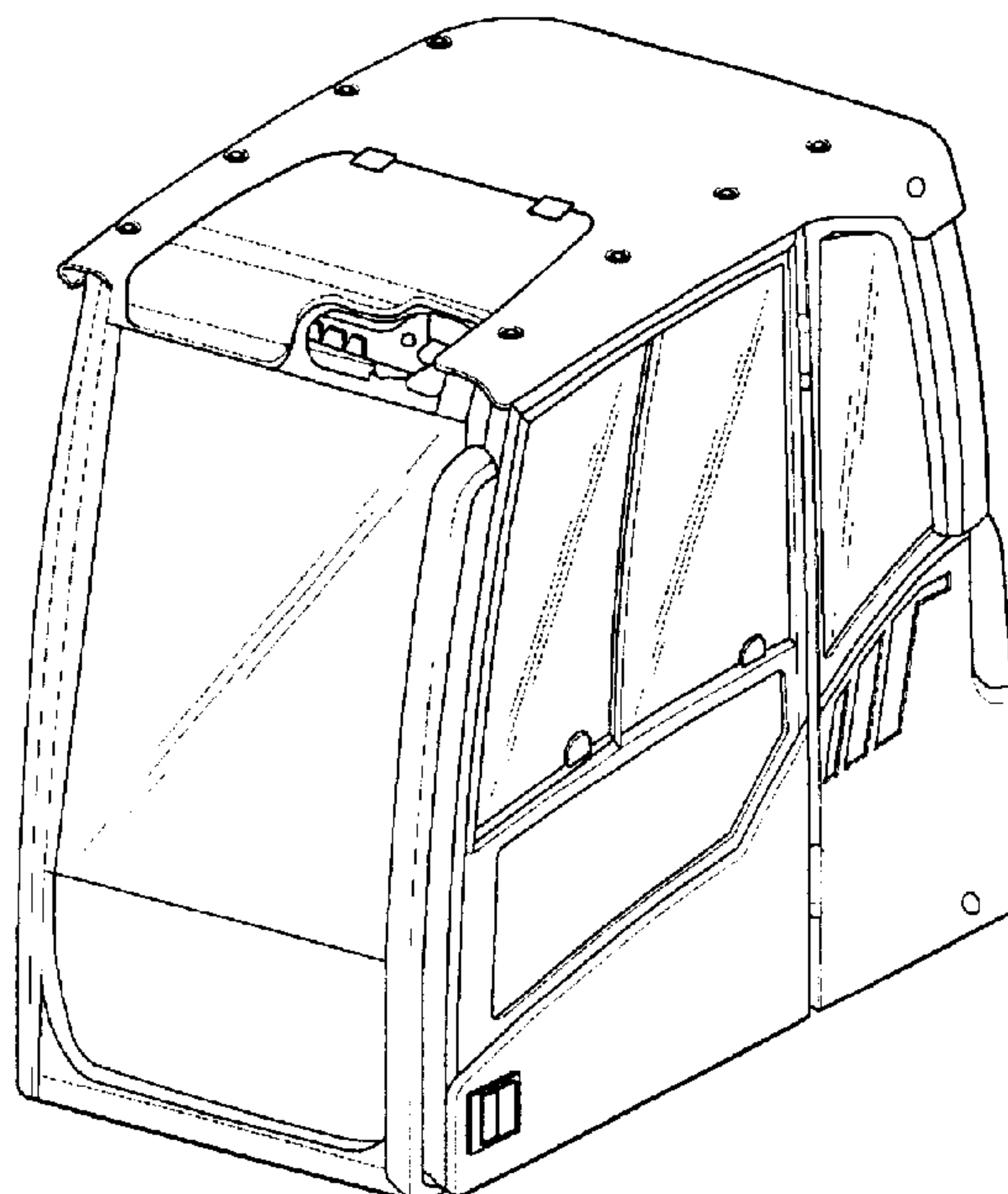


Fig. 1

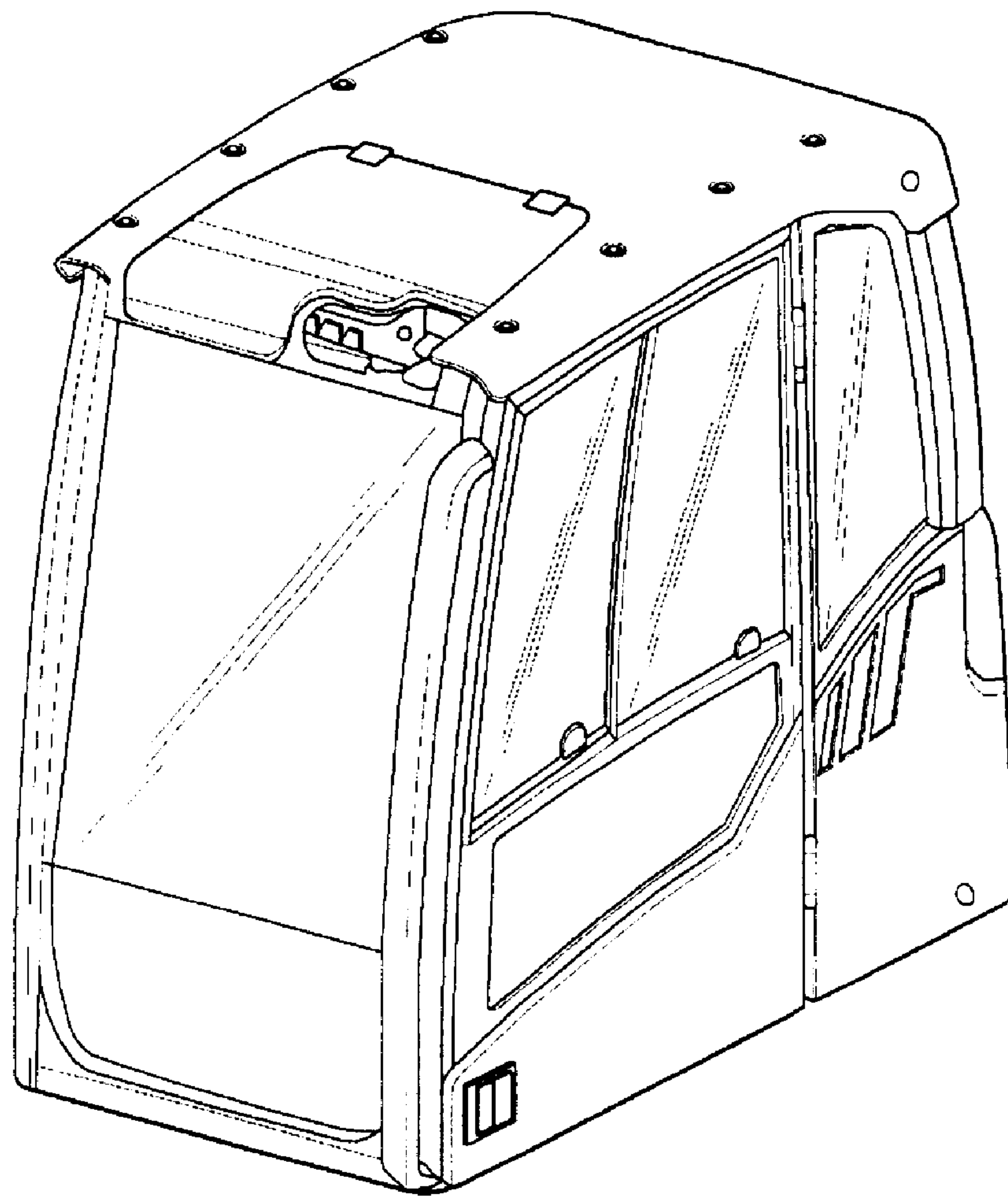


Fig. 2

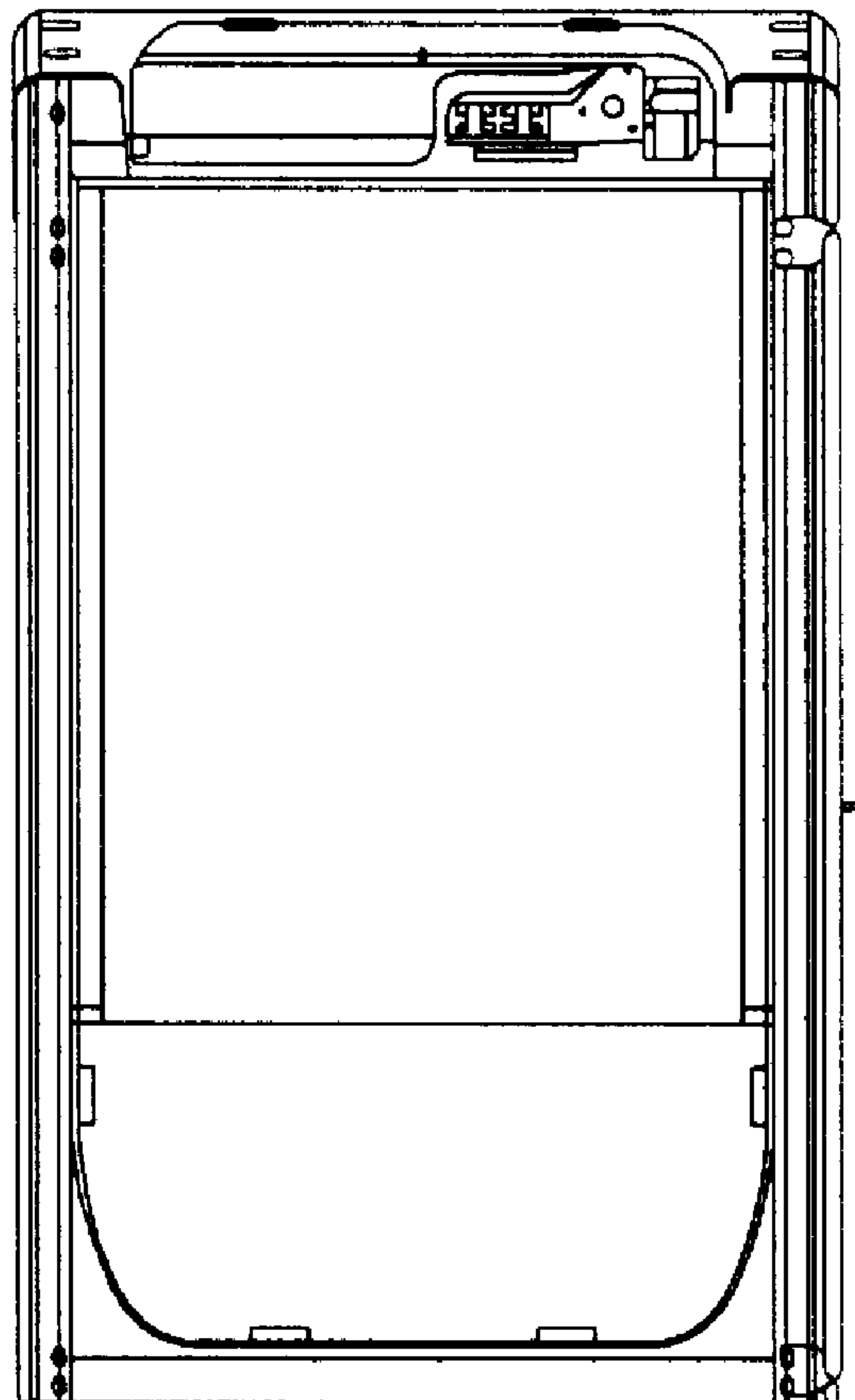


Fig. 3

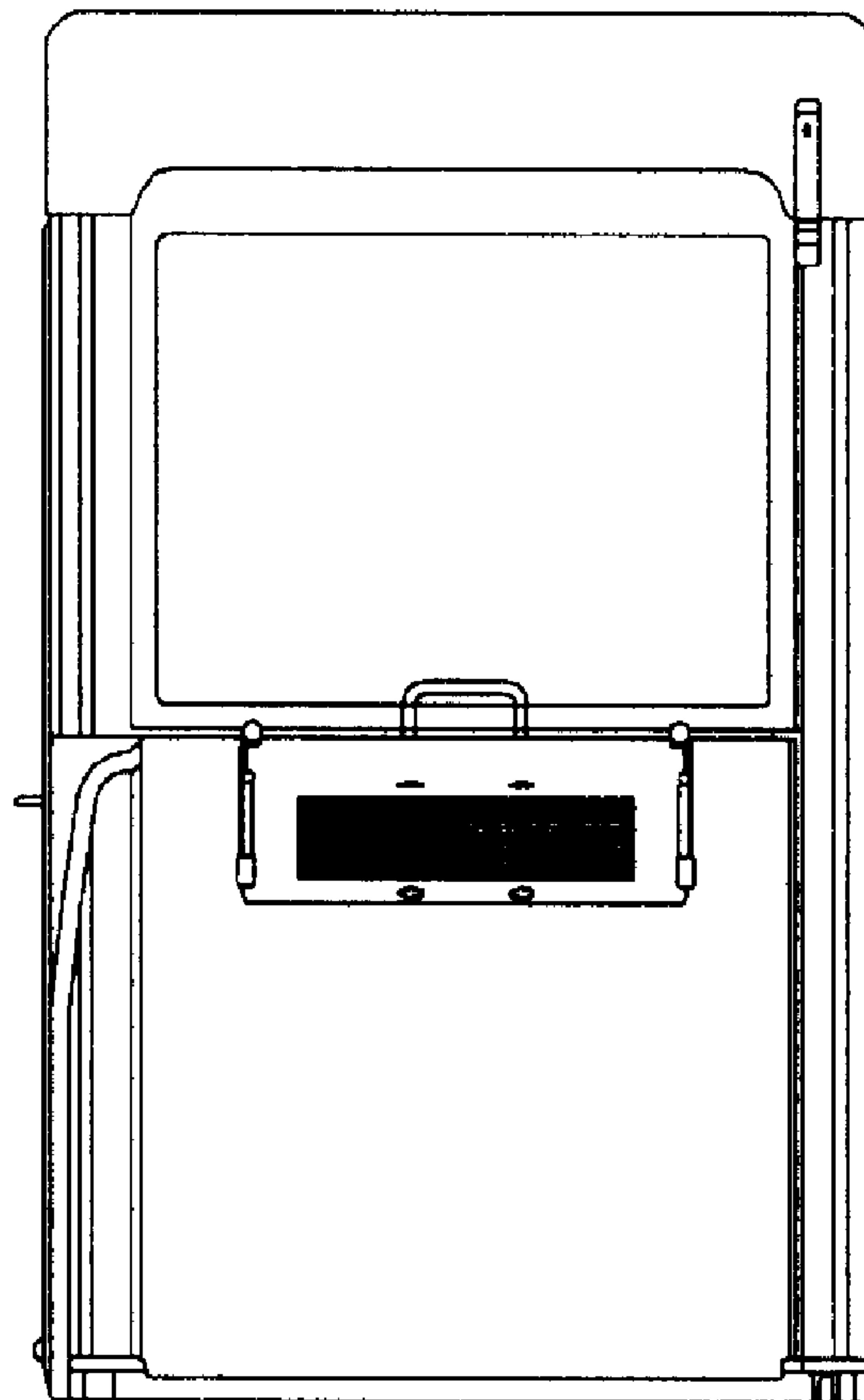


Fig. 4

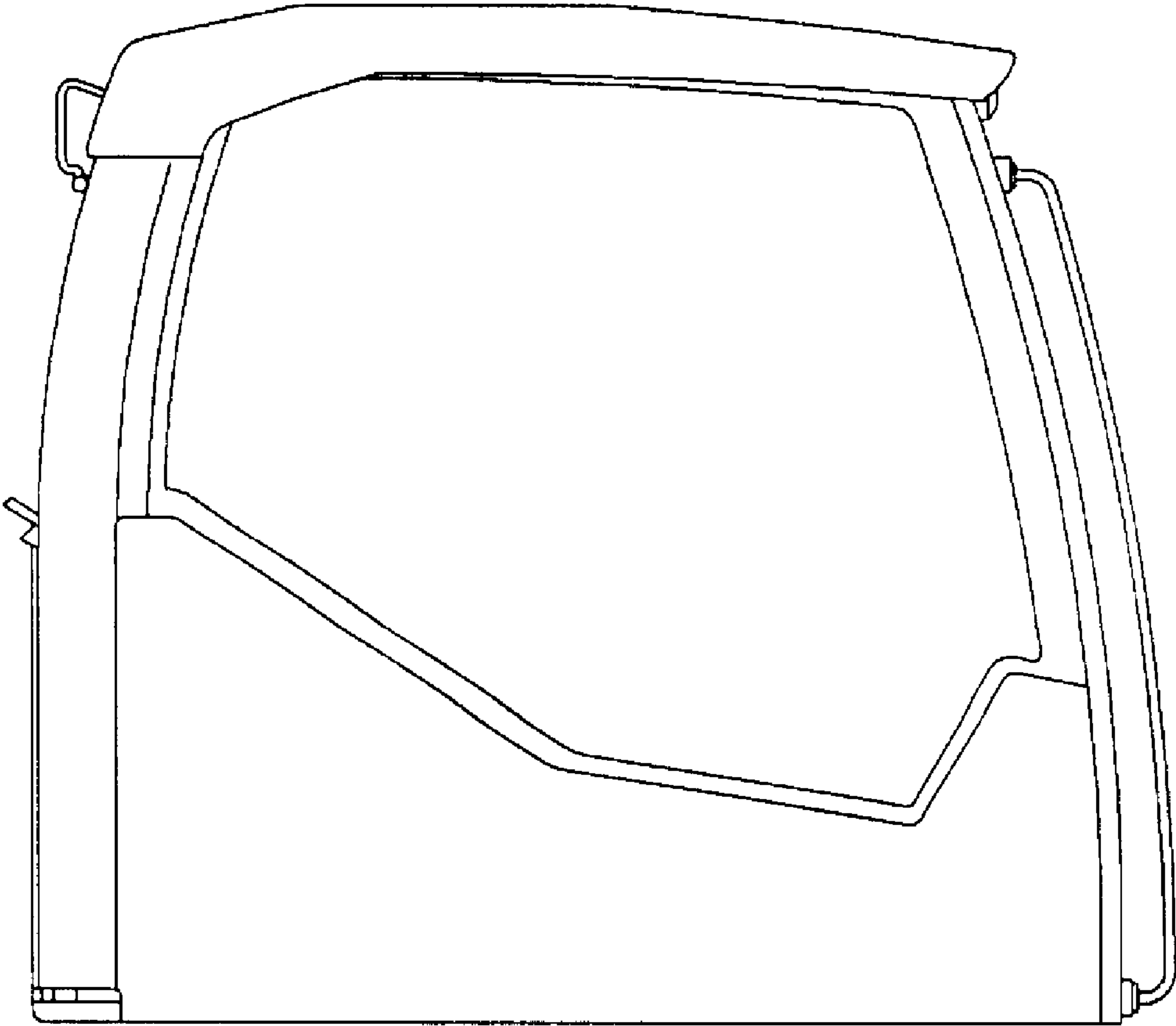


Fig. 5

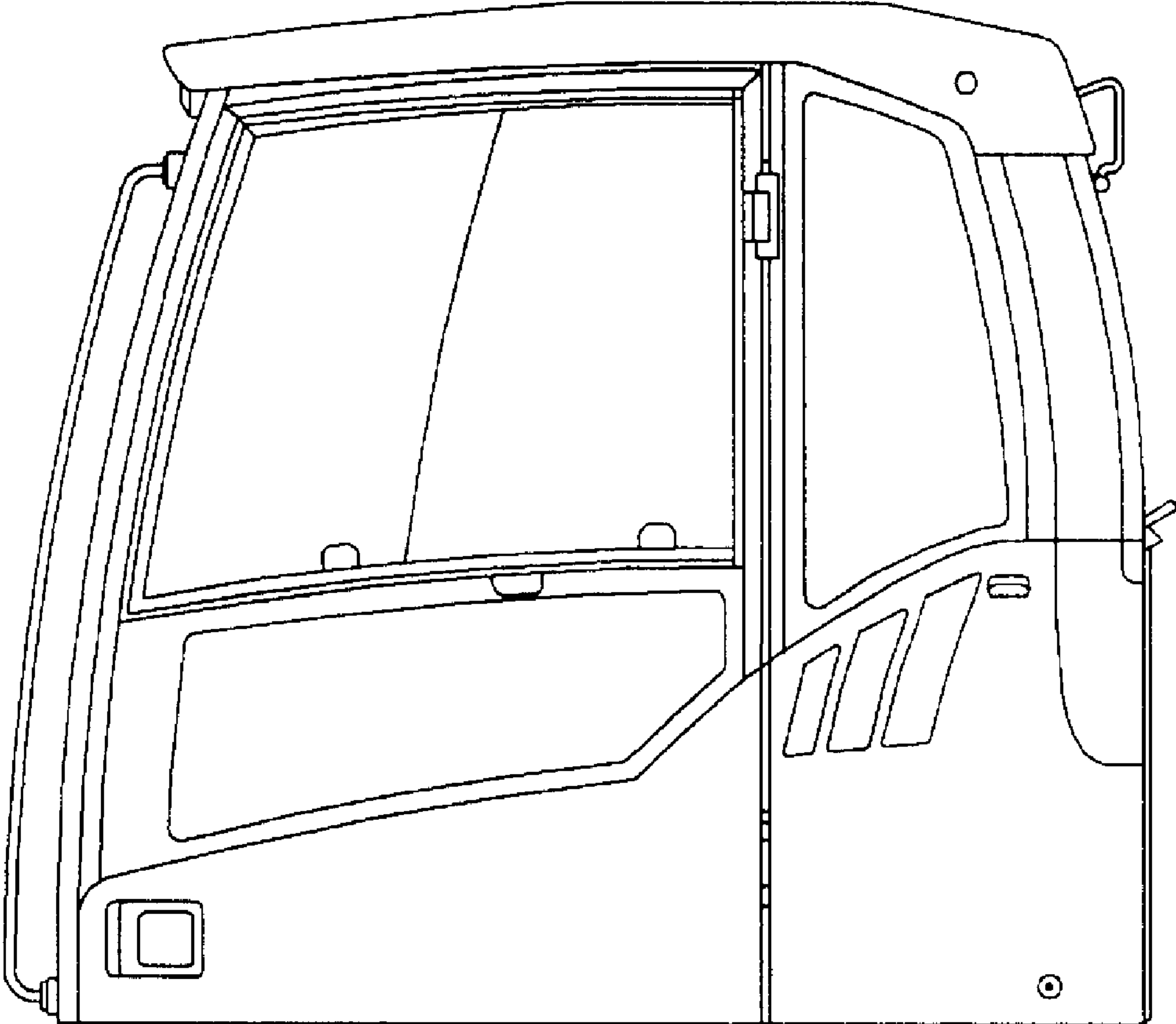


Fig. 6

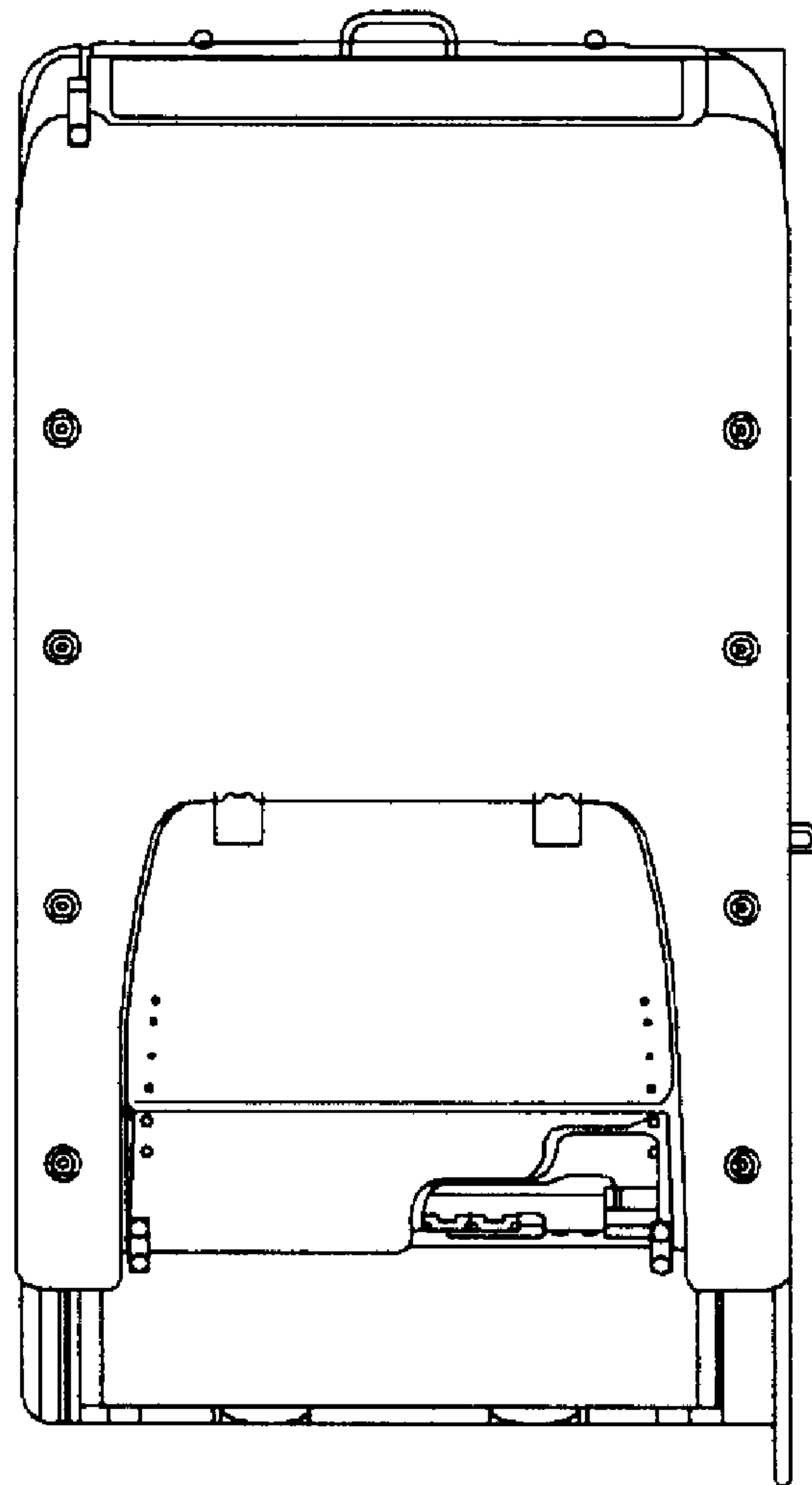


Fig. 7

