



US00D523874S

(12) **United States Design Patent**
Hagele

(10) **Patent No.:** **US D523,874 S**
(45) **Date of Patent:** **** Jun. 27, 2006**

(54) **TRACTOR LOADER BACKHOE WITH ROTATABLE CAB**

(75) Inventor: **Carl J. Hagele**, Newark, IL (US)

(73) Assignee: **CNH America LLC**, New Holland, PA (US)

(**) Term: **14 Years**

(21) Appl. No.: **29/224,865**

(22) Filed: **Mar. 8, 2005**

(51) **LOC (8) Cl.** **15-03**

(52) **U.S. Cl.** **D15/30**

(58) **Field of Classification Search** D15/10,
D15/22-26, 33; D21/537; 37/403-411, 442,
37/443, 435; 180/89.1, 331, 89.12, 326, 89.13,
180/327; 296/190.04, 190.08; 414/685, 694,
414/722, 724; 212/304; 280/765.1, 759
See application file for complete search history.

(56) **References Cited**

U.S. PATENT DOCUMENTS

3,606,047 A * 9/1971 Schaeff 414/694
3,612,310 A * 10/1971 Scheff 414/694
4,735,547 A * 4/1988 Wagner et al. 414/686
4,825,567 A * 5/1989 Andiano et al. 414/718

5,265,995 A * 11/1993 Beck 414/694
5,584,643 A * 12/1996 Nishimura et al. 414/694
D406,151 S * 2/1999 Cunningham et al. D15/25
5,890,557 A * 4/1999 Glass et al. 180/89.13
D416,266 S * 11/1999 Del Torchio D15/25
6,715,579 B1 * 4/2004 Hendron 212/302

* cited by examiner

Primary Examiner—Stella Reid

Assistant Examiner—Mark Goodwin

(74) *Attorney, Agent, or Firm*—John William Stader;
Stephen A. Bucchianeri

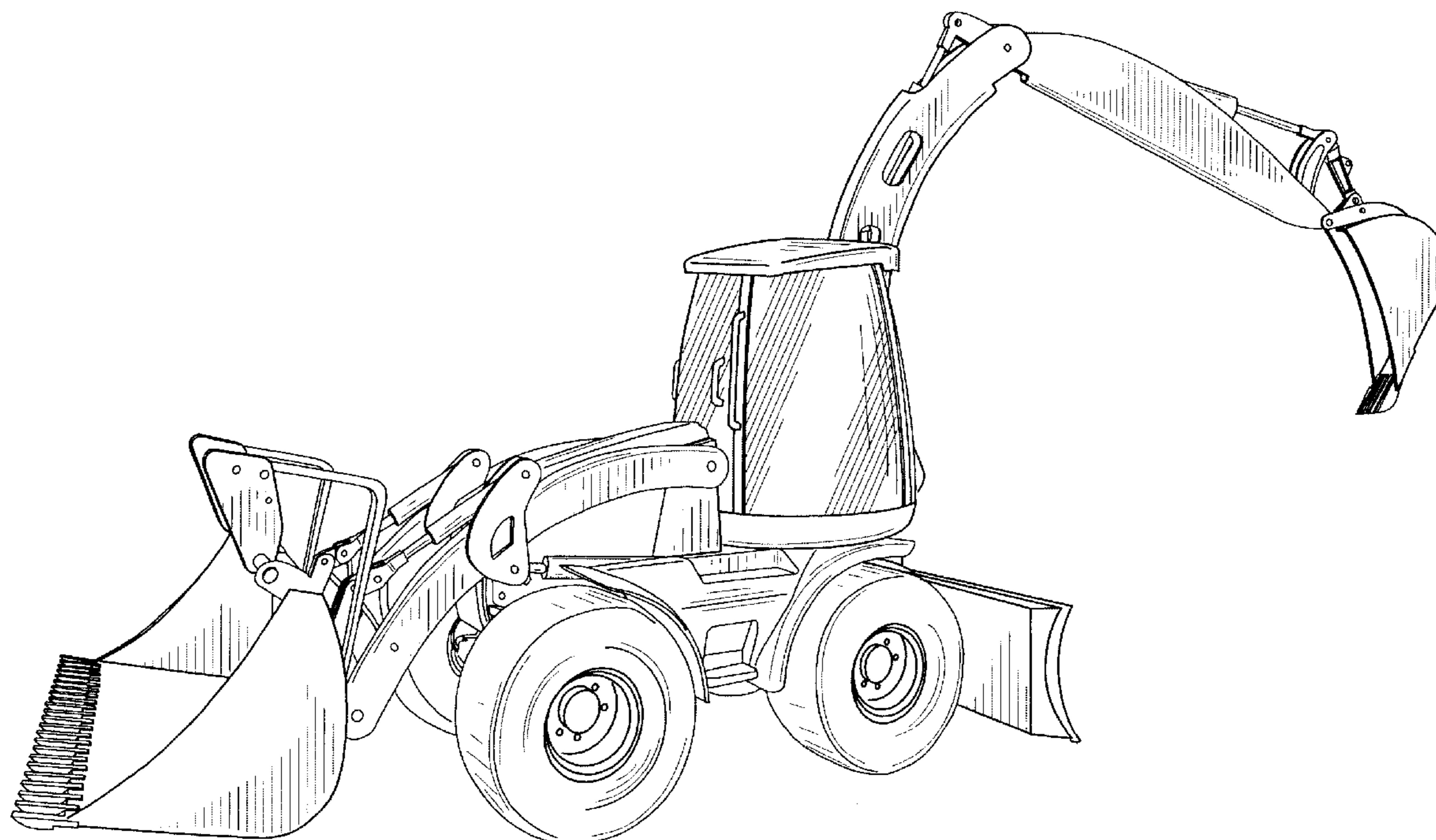
(57) **CLAIM**

I claim the ornamental design for the tractor loader backhoe with rotatable cab, as shown.

DESCRIPTION

FIG. 1 is a perspective view of the tractor loader backhoe with rotatable cab showing my new design;
FIG. 2 is a right side view thereof;
FIG. 3 is a top plan view thereof;
FIG. 4 is a front view thereof;
FIG. 5 is a left side view thereof;
FIG. 6 is a bottom plan view thereof; and,
FIG. 7 is a rear view thereof.

1 Claim, 7 Drawing Sheets



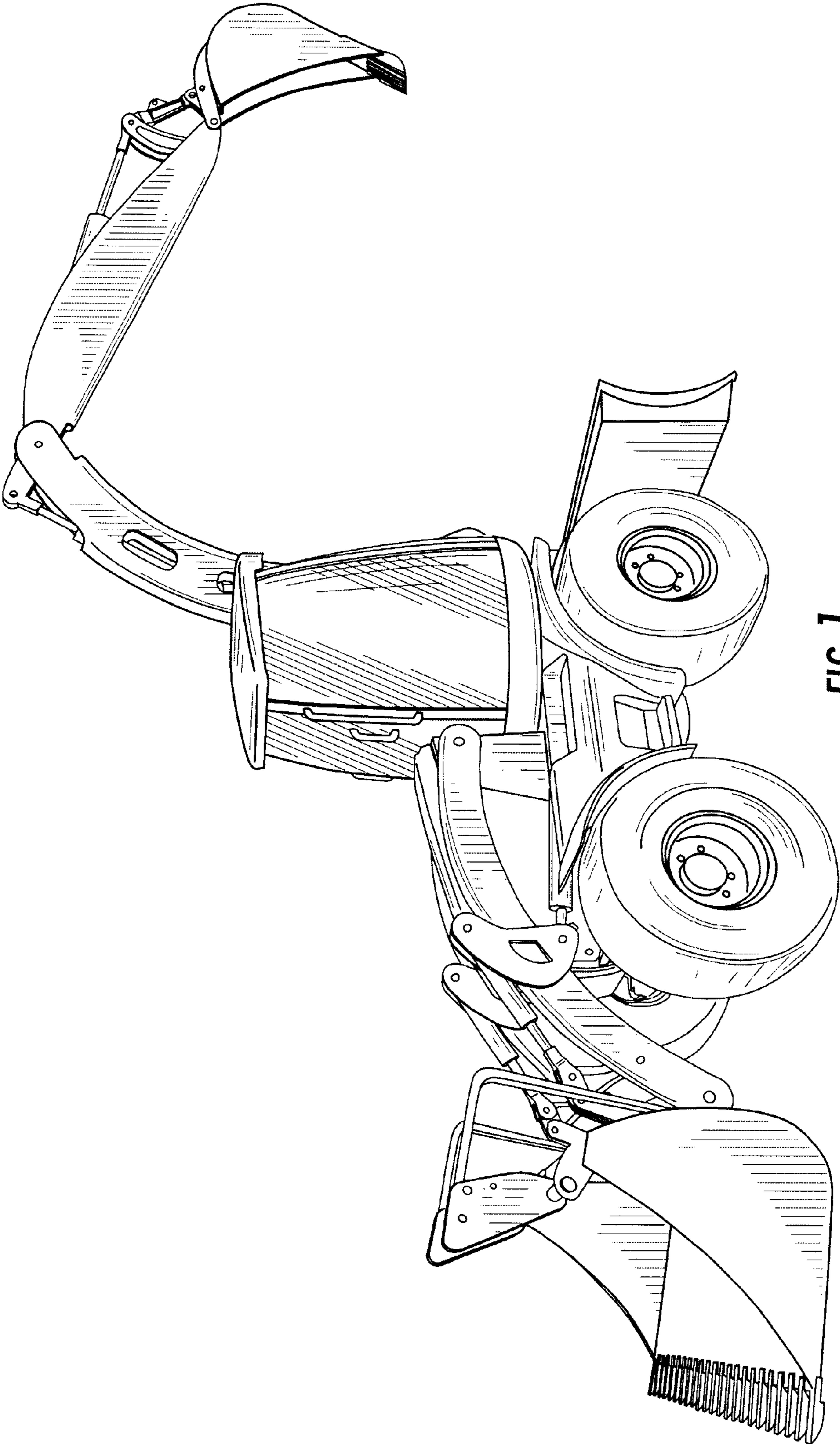


FIG. 1

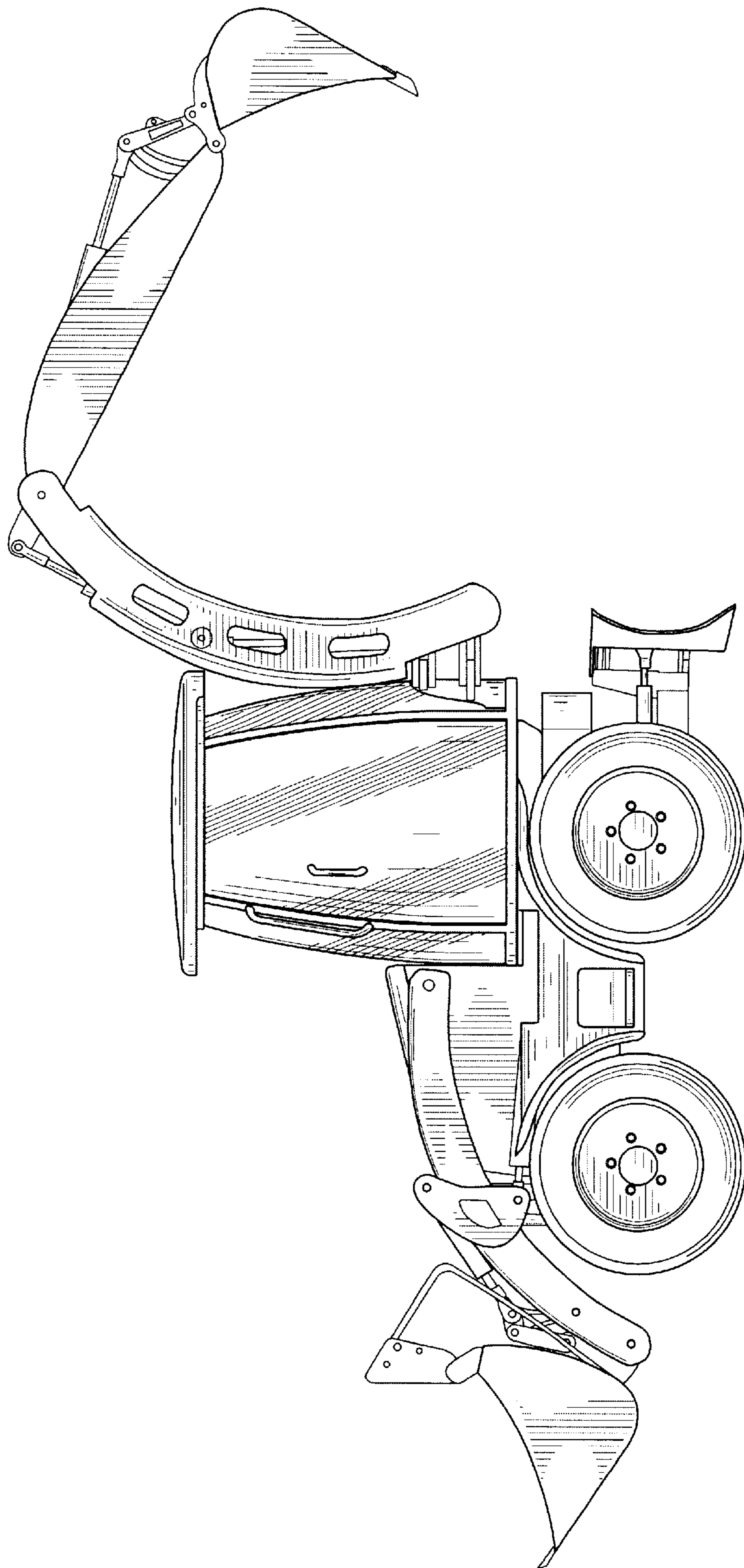


FIG. 2

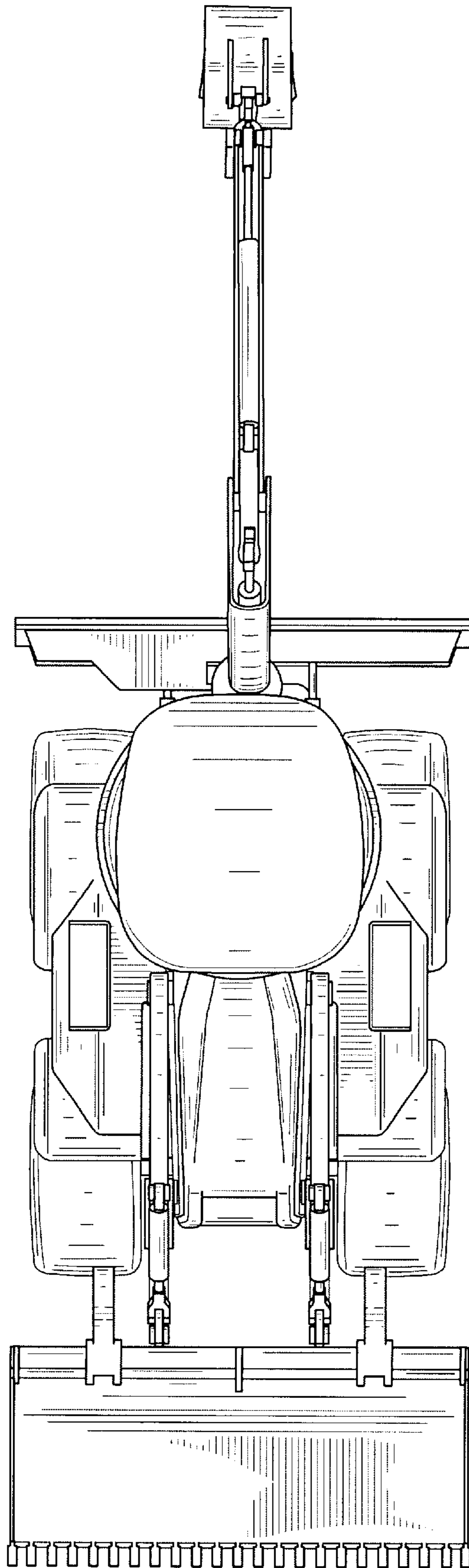


FIG. 3

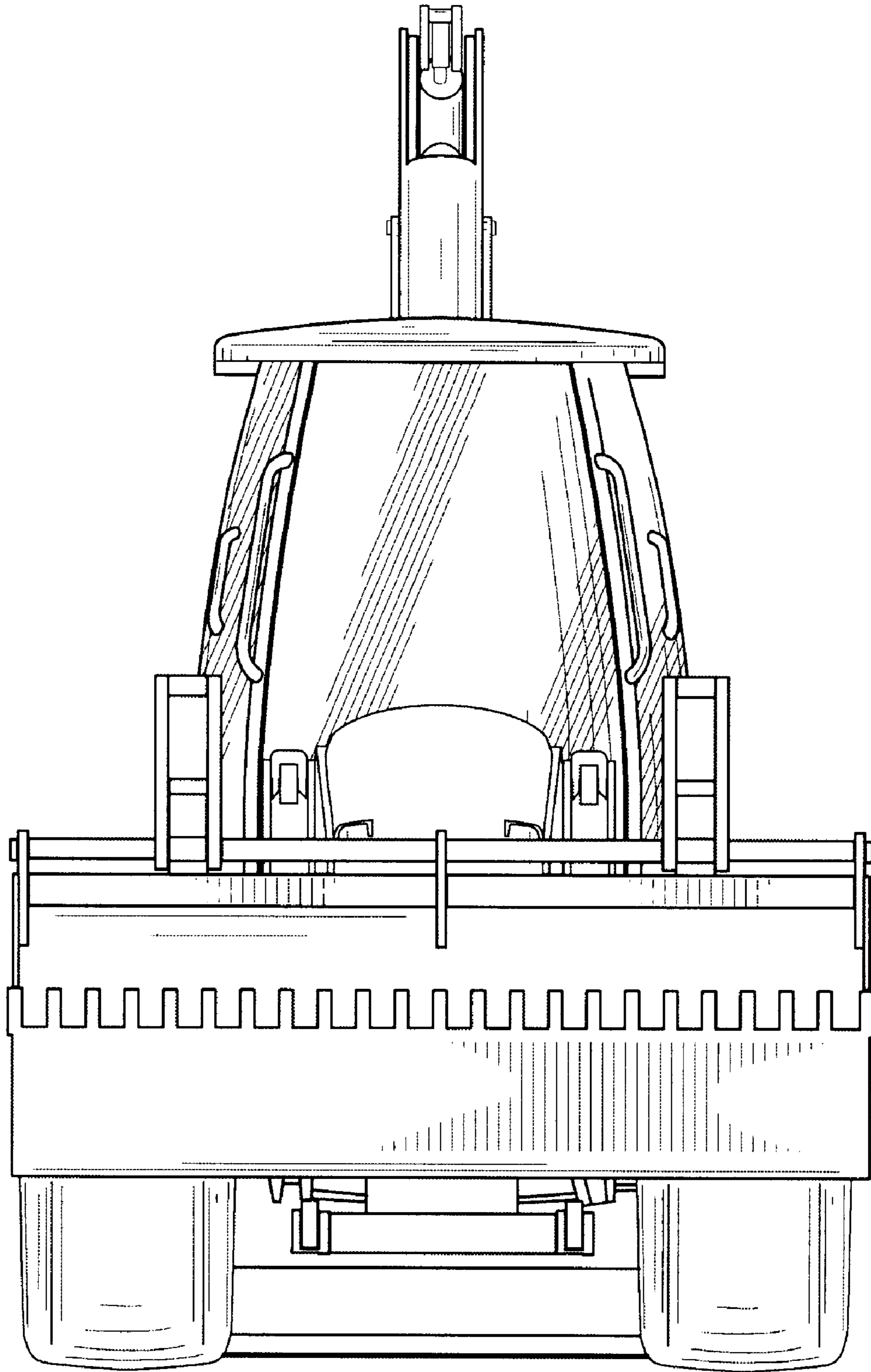


FIG. 4

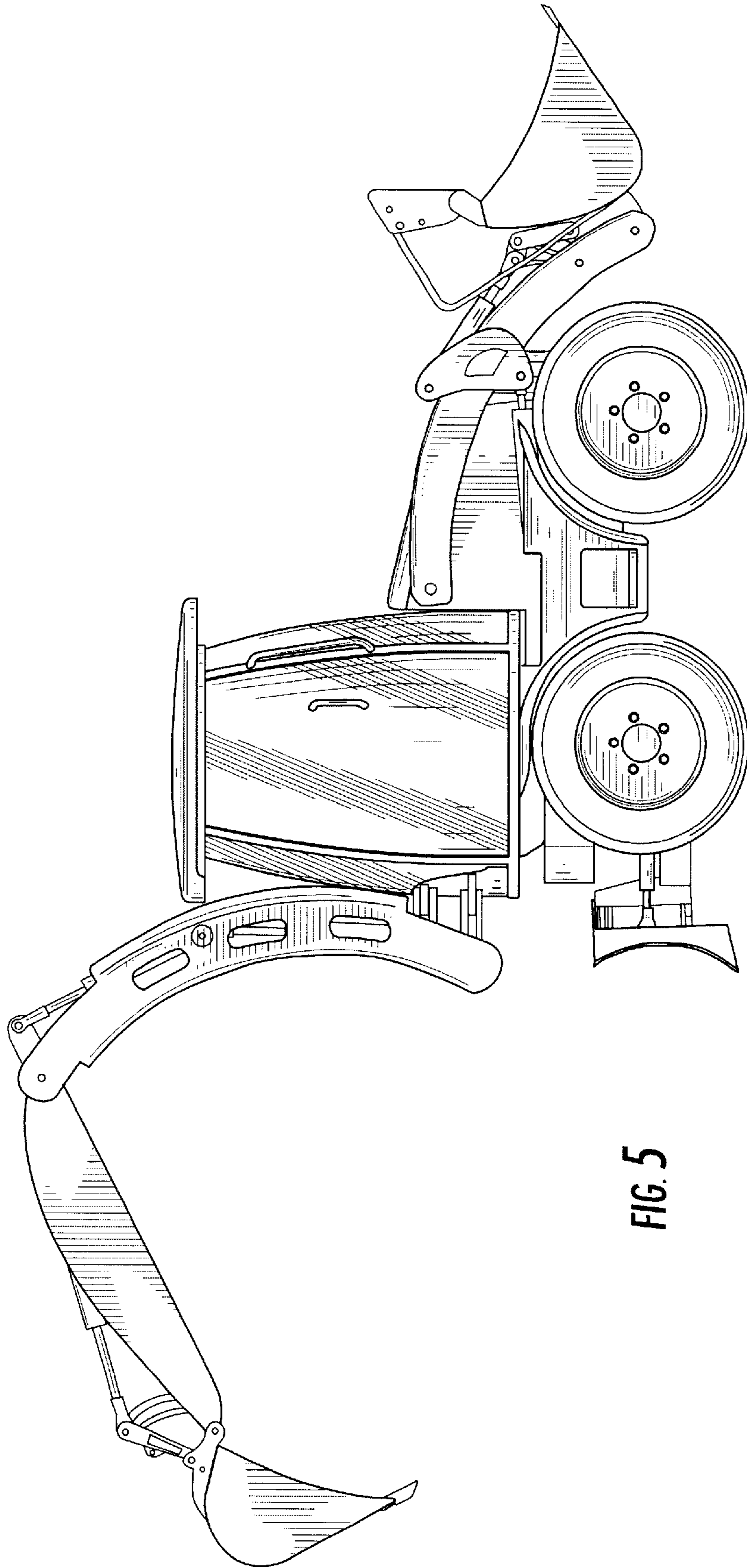


FIG. 5

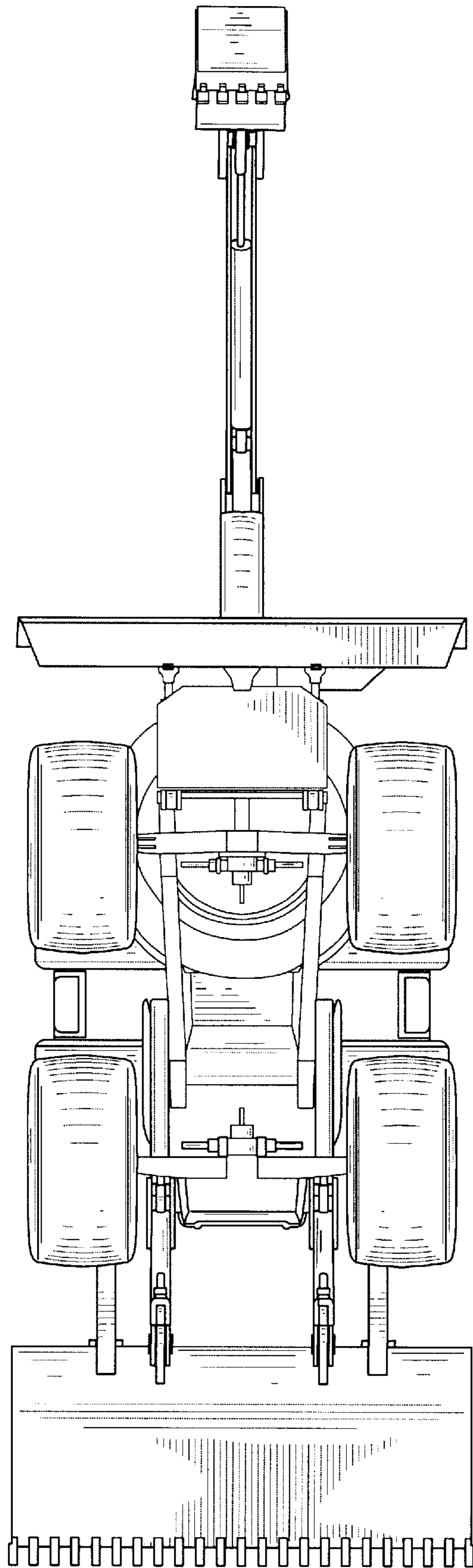


FIG. 6

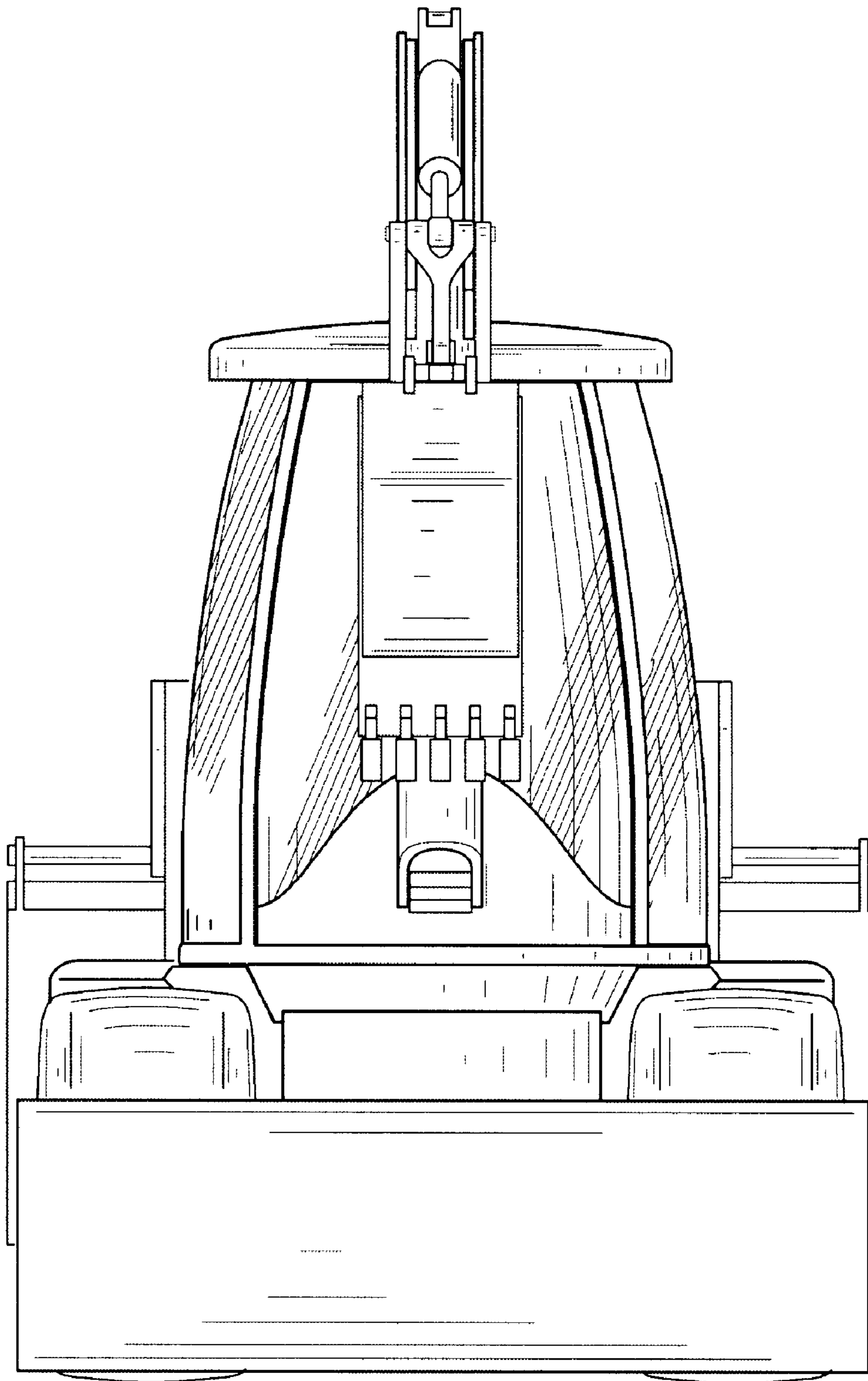


FIG. 7