



US00D523870S

(12) **United States Design Patent**  
**Hally et al.**

(10) **Patent No.:** **US D523,870 S**  
(45) **Date of Patent:** **\*\* Jun. 27, 2006**

- (54) **PORTION OF AN IMAGE FOR A DISPLAY SCREEN**
  - (75) Inventors: **Judson Craig Hally**, Sammamish, WA (US); **Jeremy S Knudsen**, Monroe, WA (US); **Jonathan M. Cain**, Seattle, WA (US)
  - (73) Assignee: **Microsoft Corporation**, Redmond, WA (US)
  - (\*\*) Term: **14 Years**
  - (21) Appl. No.: **29/218,508**
  - (22) Filed: **Dec. 6, 2004**
  - (51) **LOC (8) Cl.** ..... **14-04**
  - (52) **U.S. Cl.** ..... **D14/487**
  - (58) **Field of Classification Search** ..... D14/485-95; D18/24-33; D19/6; D20/11; D21/324-33; 715/700-866
- See application file for complete search history.

- D484,141 S \* 12/2003 Kates et al. .... D14/486
- D486,499 S \* 2/2004 Hayashi et al. .... D14/486
- D487,469 S 3/2004 Glaser et al.
- D492,691 S 7/2004 Kortis
- D492,692 S \* 7/2004 Fallon et al. .... D14/486
- D500,765 S \* 1/2005 Wasko ..... D14/486
- D501,211 S \* 1/2005 Ligameri et al. .... D14/486
- D508,494 S \* 8/2005 Ligameri ..... D14/486
- 2002/0054154 A1 \* 5/2002 Fukuda et al. .... 345/810

**OTHER PUBLICATIONS**

Screenshots of Windows Media Player 9, Microsoft Corporation, dated prior to Dec. 6, 2004, 3 sheets.  
Screenshot of Apple iTunes windows, Apple Computer, Inc., dated prior to Dec. 6, 2004, 1 sheet.

\* cited by examiner

*Primary Examiner*—M. H. Tung  
(74) *Attorney, Agent, or Firm*—Banner & Witcoff, Ltd.

(57) **CLAIM**

The ornamental design for a portion of an image for a display screen, as shown and described.

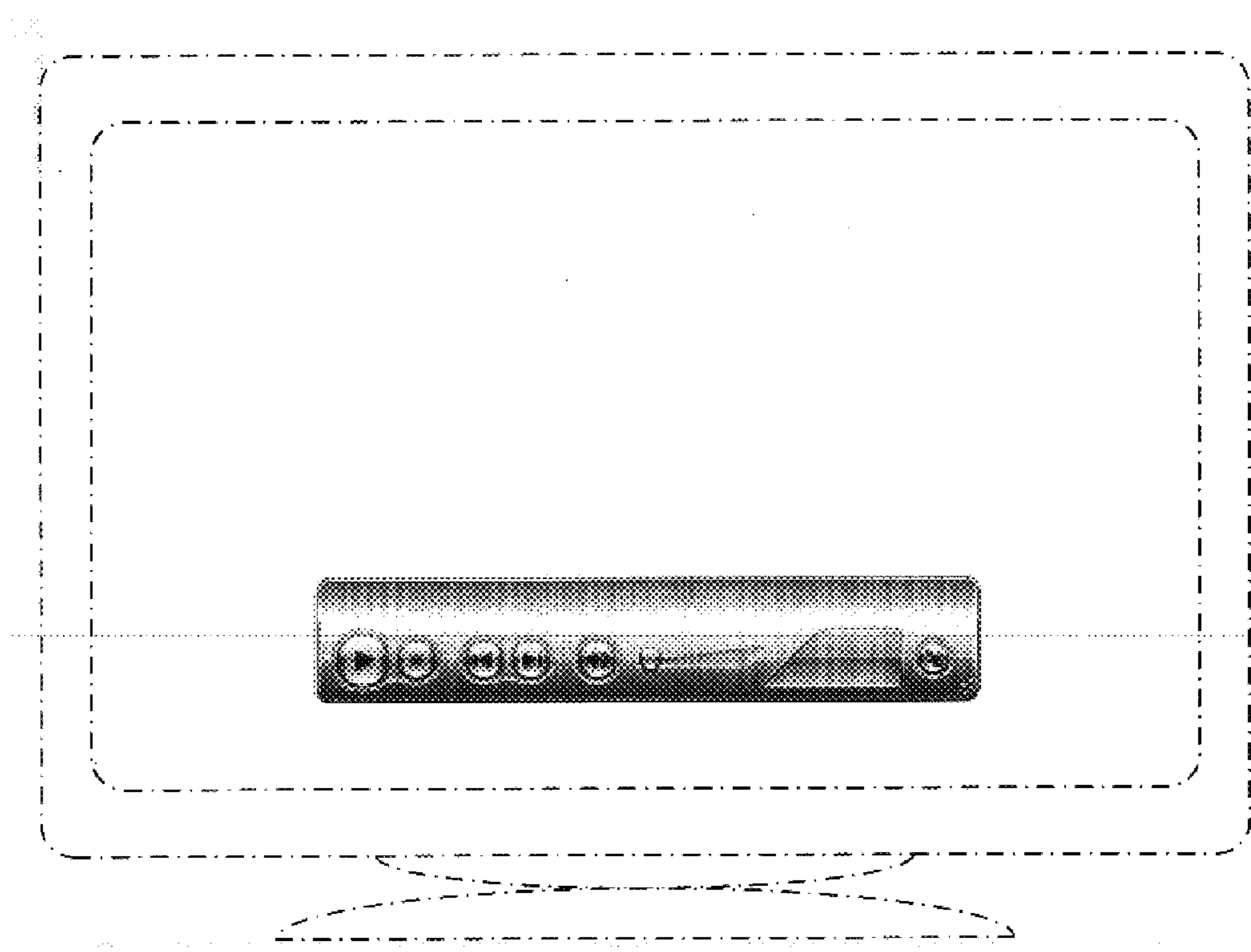
**DESCRIPTION**

FIG. 1 is a front view of a portion of an image for a display screen showing our new design; and, FIG. 2 is a front view of a second embodiment of our new design.  
The broken line drawing of a display screen in both views is for illustrative purposes only and forms no part of the claimed design.

**1 Claim, 2 Drawing Sheets**

(56) **References Cited**  
**U.S. PATENT DOCUMENTS**

- D392,267 S 3/1998 Mason et al.
- D425,497 S 5/2000 Eisenberg et al.
- D436,580 S 1/2001 Navano et al.
- D454,574 S 3/2002 Wasko et al.
- D462,076 S \* 8/2002 Robbin et al. .... D14/486
- D469,106 S \* 1/2003 Friedman ..... D14/486
- D472,244 S \* 3/2003 Wasko ..... D14/486
- D478,334 S \* 8/2003 Wasko et al. .... D14/486
- D480,733 S 10/2003 Hammerquist et al.



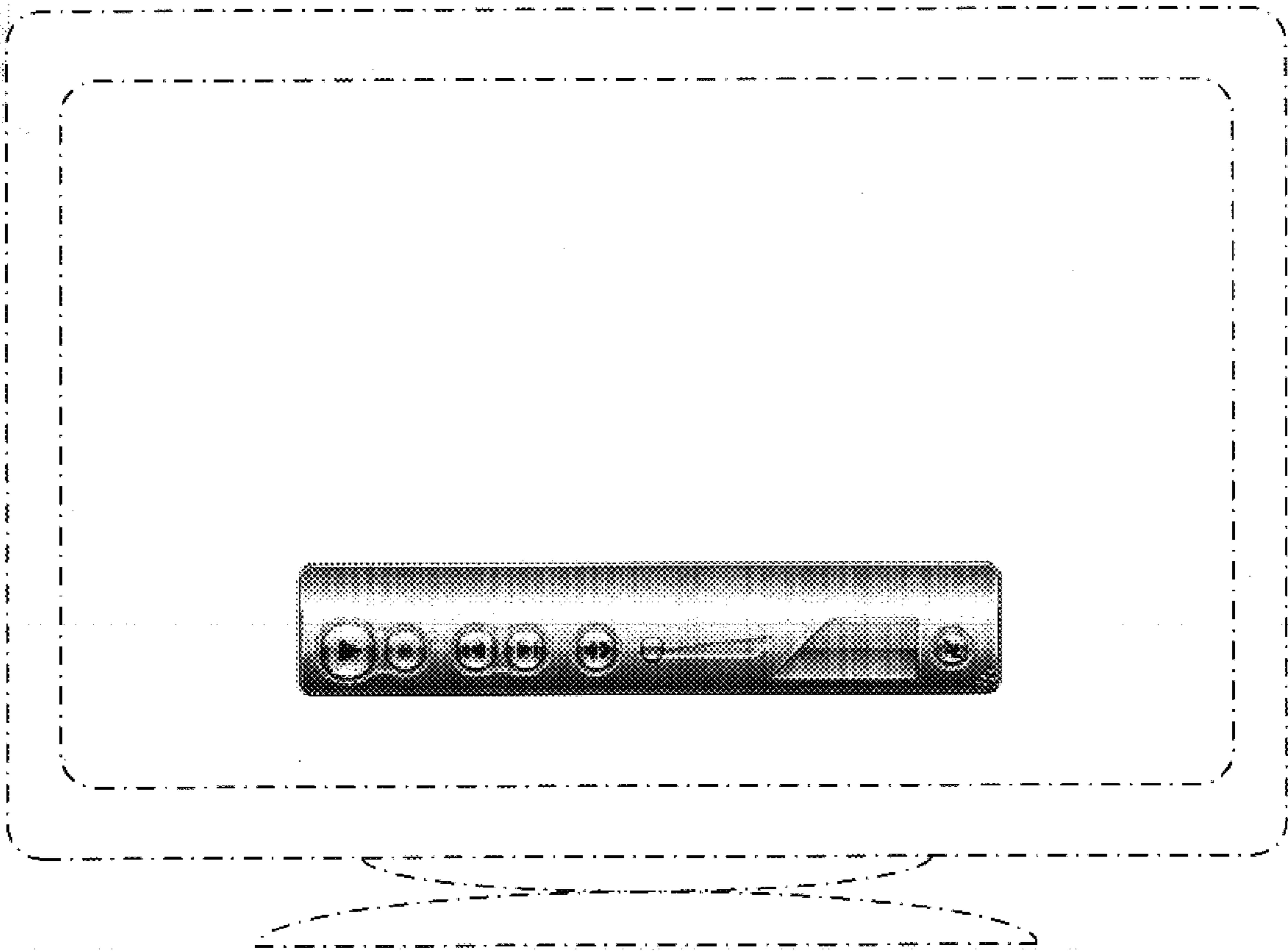


Fig. 1

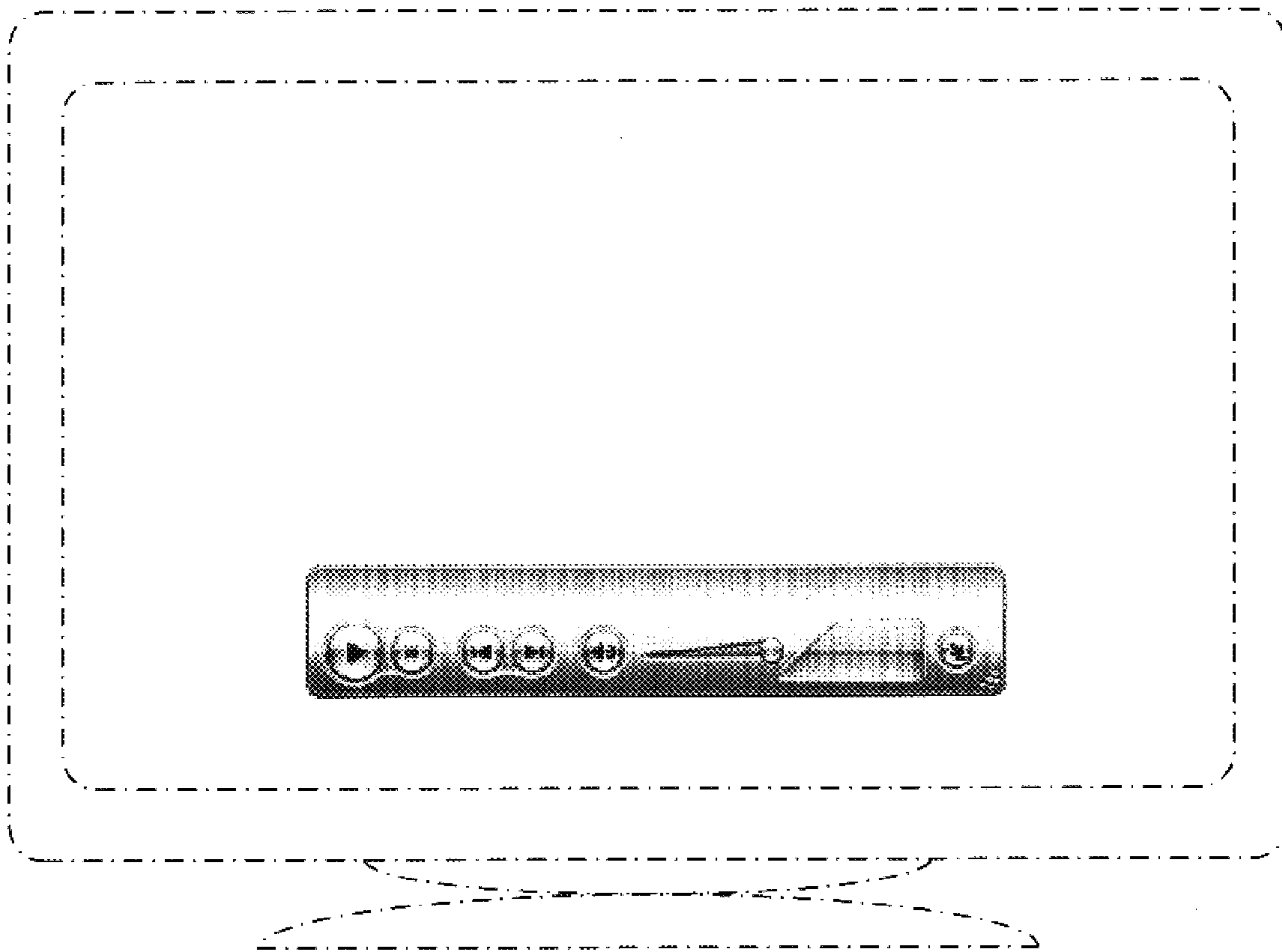


Fig. 2