



US00D523860S

(12) **United States Design Patent**
Xu et al.

(10) **Patent No.:** **US D523,860 S**
(45) **Date of Patent:** **** Jun. 27, 2006**

(54) **ELECTRICAL CARD CONNECTOR**

(75) Inventors: **JianBo Xu**, Kunsan (CN); **Ren-Chih Li**, Tu-Chen (TW)

(73) Assignee: **Hon Hai Precision Ind., Co., Ltd.**, Taipei Hsien (TW)

(**) Term: **14 Years**

(21) Appl. No.: **29/224,647**

(22) Filed: **Mar. 3, 2005**

(30) **Foreign Application Priority Data**

Dec. 15, 2004 (CN) 200430054954

(51) **LOC (8) Cl.** **14-02**

(52) **U.S. Cl.** **D14/436**

(58) **Field of Classification Search** 439/159,
439/630, 188, 160, 541.5, 607, 79, 608-10,
439/433; 369/291, 292; D13/146-7, 154,
D13/133, 164

See application file for complete search history.

(56) **References Cited**

U.S. PATENT DOCUMENTS

4,990,758 A * 2/1991 Shibano et al. 235/449
D322,604 S * 12/1991 Komatsu D13/147
6,086,393 A * 7/2000 Tung et al. 439/159
6,394,843 B1 * 5/2002 Chang et al. 439/607

6,402,529 B1 * 6/2002 Saito et al. 439/74
6,478,630 B1 * 11/2002 Hsu 439/680
6,482,029 B1 * 11/2002 Nishimura 439/541.5
D470,148 S * 2/2003 Nishio et al. D14/433
6,520,783 B1 * 2/2003 Hsu 439/157
6,609,936 B1 * 8/2003 Bricaud et al. 439/630
D482,364 S * 11/2003 Nishio et al. D14/433
D482,692 S * 11/2003 Nishio et al. D14/433
6,655,973 B1 * 12/2003 Ji et al. 439/159
2003/0151901 A1 * 8/2003 Nogami 361/726

* cited by examiner

Primary Examiner—Alan P. Douglas

Assistant Examiner—Susan Moon Lee

(74) *Attorney, Agent, or Firm*—Wei Te Chung

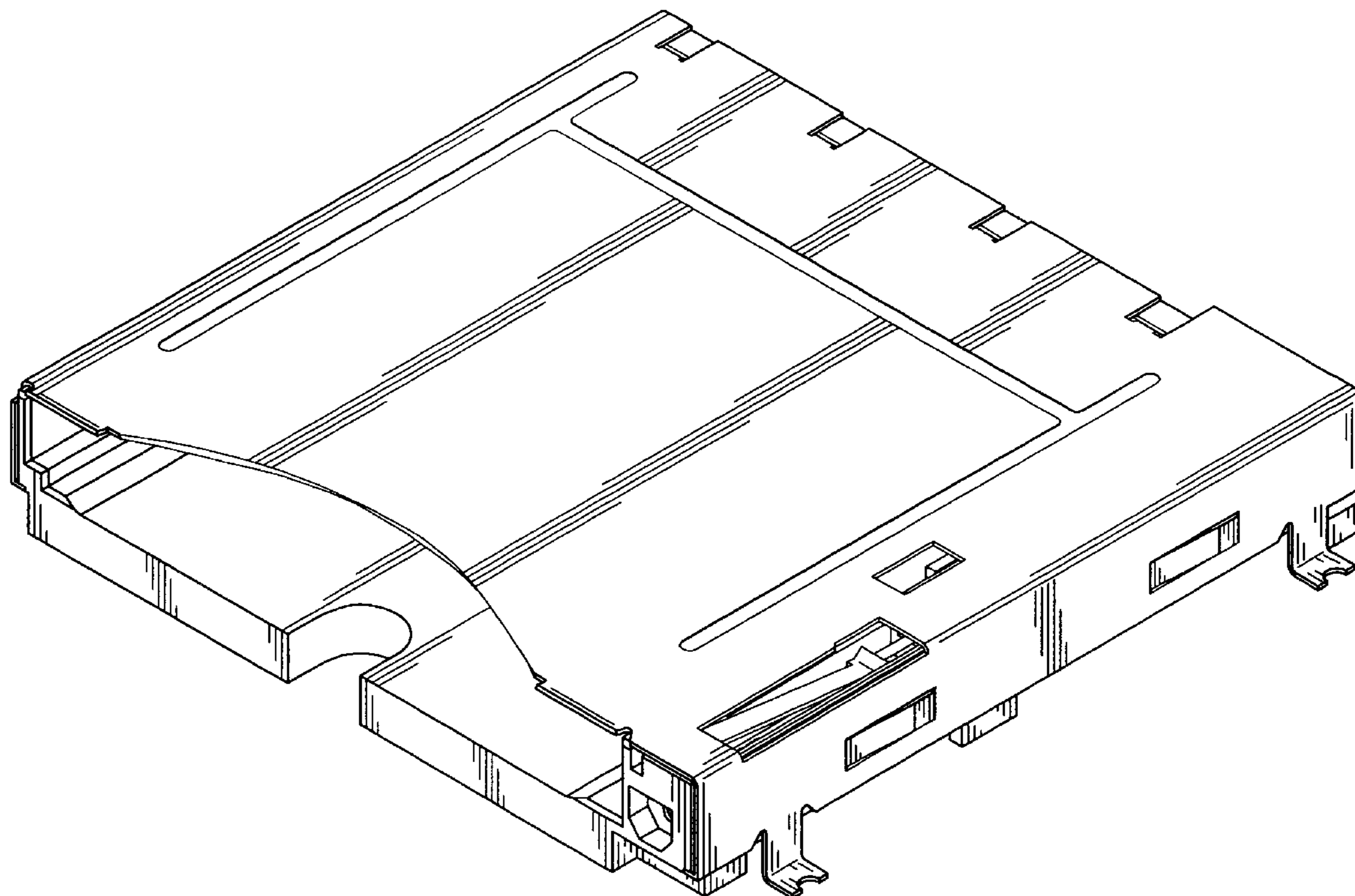
(57) **CLAIM**

The ornamental design for an electrical card connector, as shown.

DESCRIPTION

FIG. 1 is a front, top and right side perspective view of an electrical card connector showing our new design; FIG. 2 is a front elevational view thereof; FIG. 3 is a rear elevational view thereof; FIG. 4 is a left side elevational view thereof; FIG. 5 is a right side elevational view thereof; FIG. 6 is a top plan view thereof; and, FIG. 7 is a bottom plan view thereof.

1 Claim, 7 Drawing Sheets



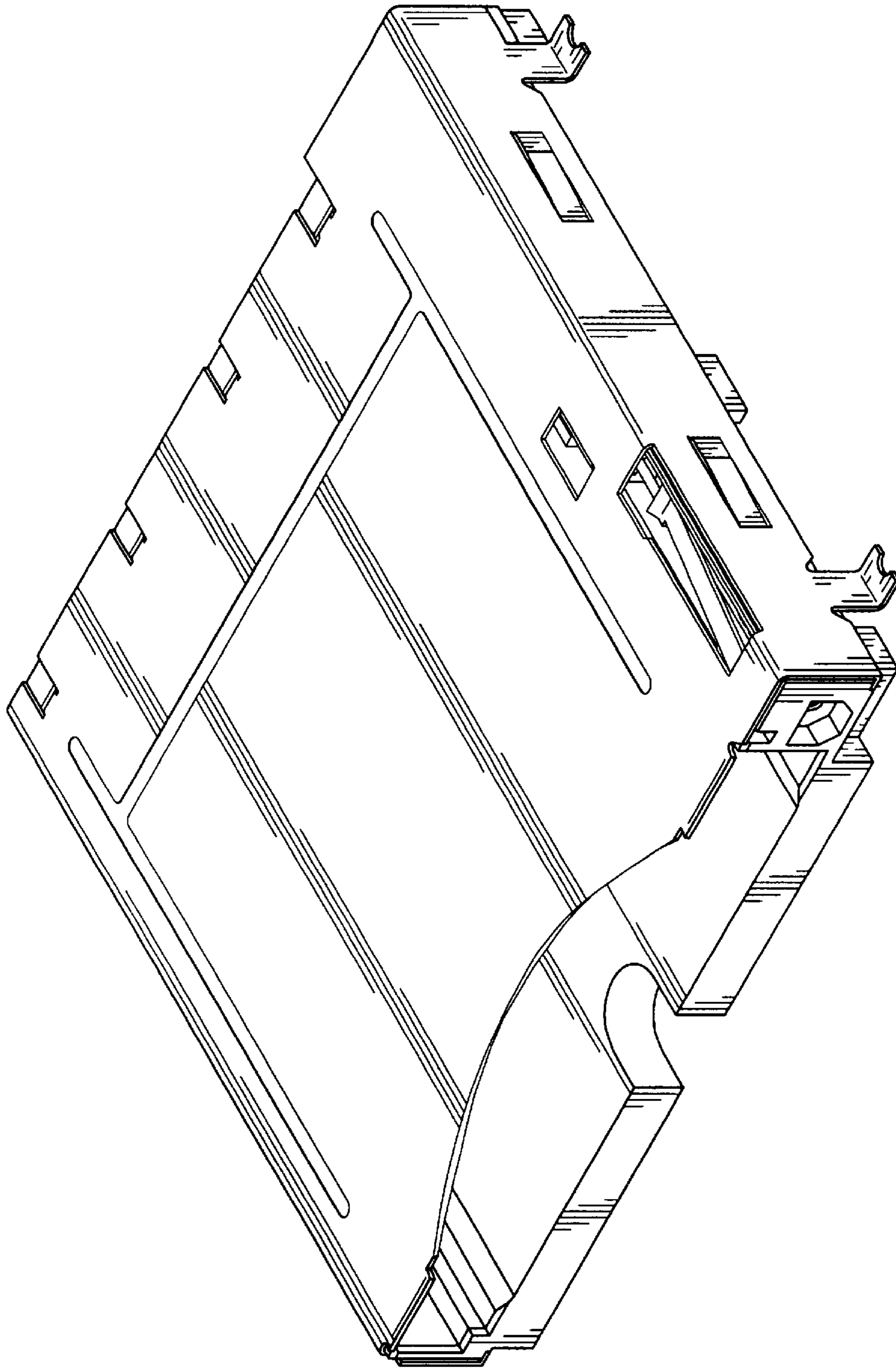


FIG. 1

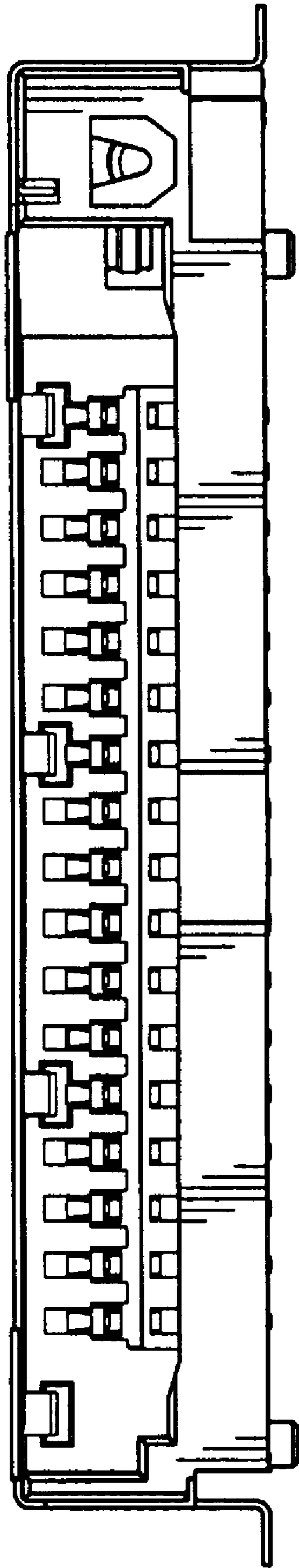


FIG. 2

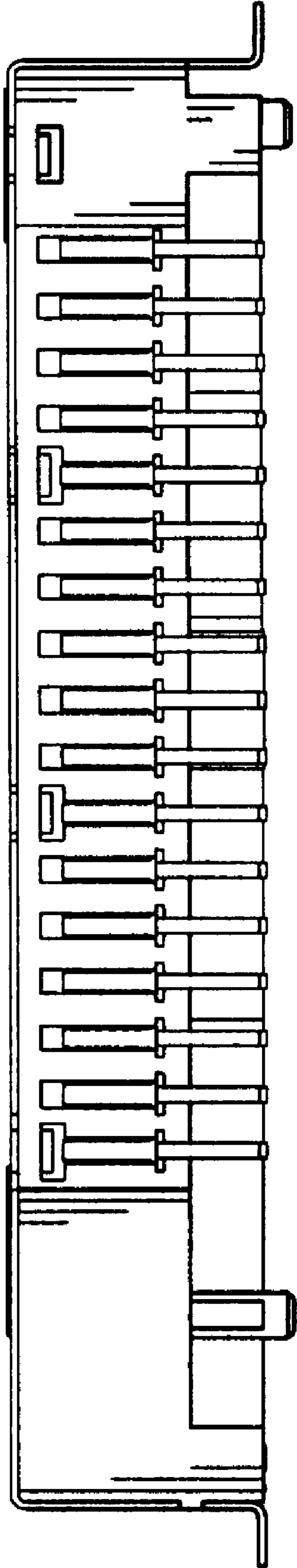


FIG. 3

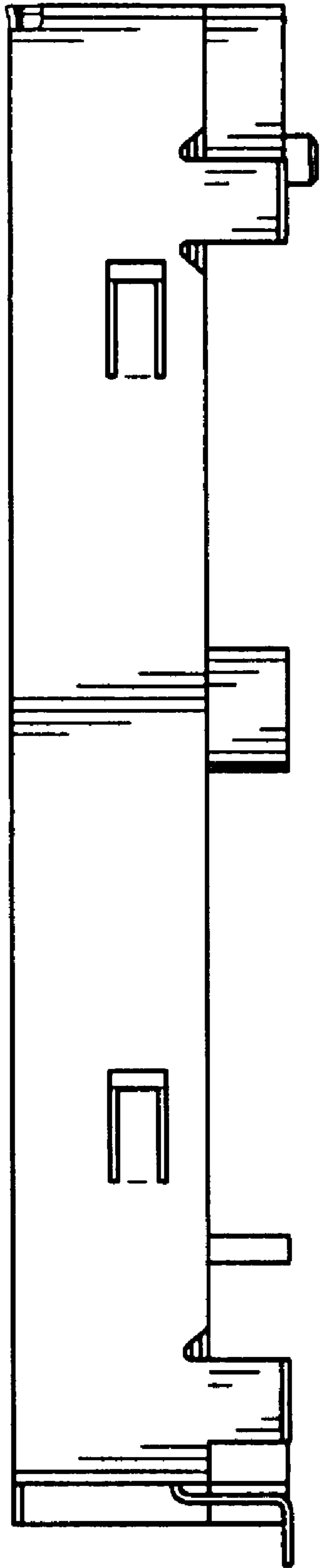


FIG. 4

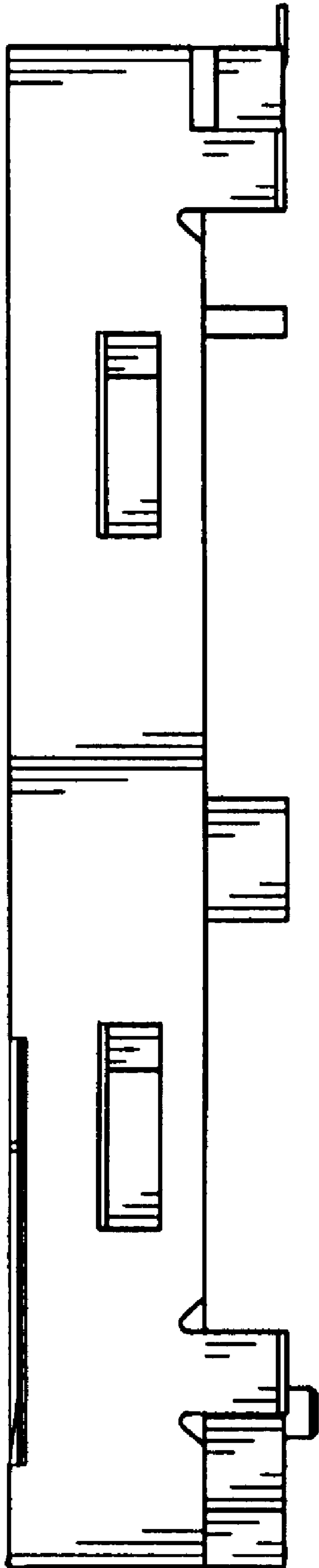


FIG. 5

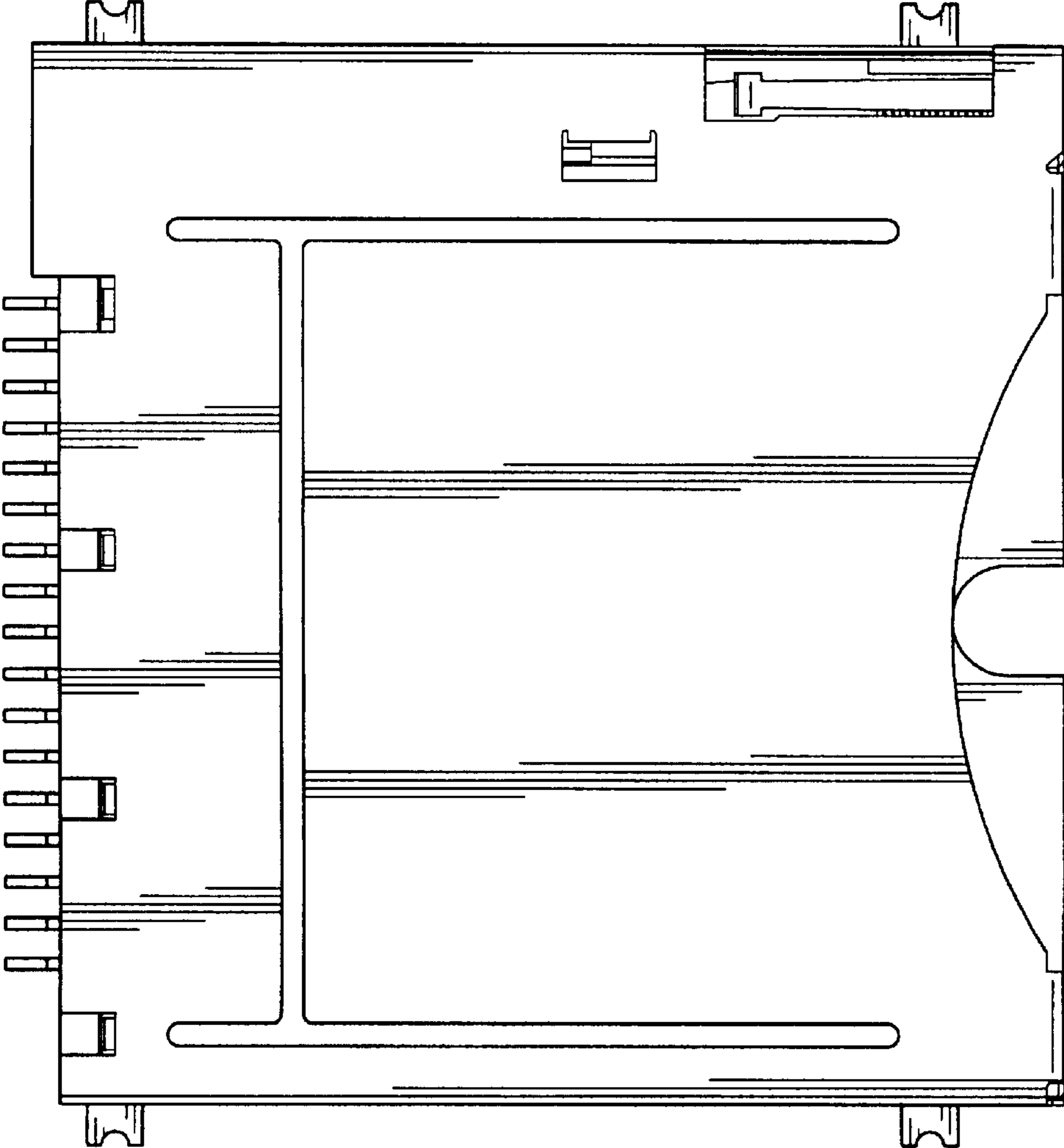


FIG. 6

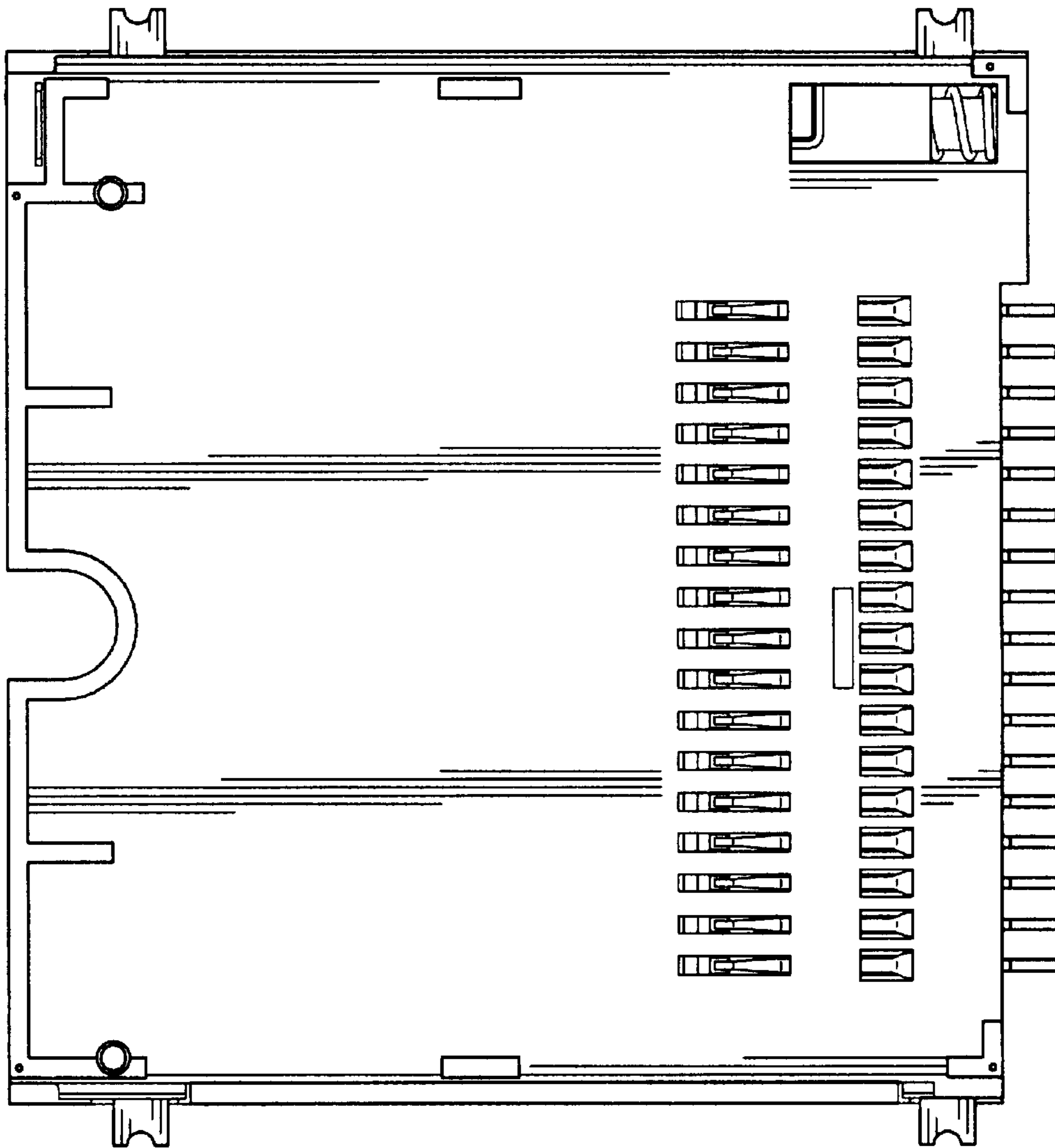


FIG. 7