

US00D523859S

(12) **United States Design Patent**  
**Deckers**

(10) **Patent No.:** **US D523,859 S**

(45) **Date of Patent:** **\*\* Jun. 27, 2006**

(54) **MEDIA CARTRIDGE**

(75) Inventor: **Stephen Deckers**, Eagle, ID (US)

(73) Assignee: **Hewlett-Packard Development Company, L.P.**, Houston, TX (US)

(\*\*) Term: **14 Years**

(21) Appl. No.: **29/226,938**

(22) Filed: **Apr. 4, 2005**

(51) **LOC (8) Cl.** ..... **14-02**

(52) **U.S. Cl.** ..... **D14/435; D21/332**

(58) **Field of Classification Search** ..... D14/474,  
D14/478, 481, 483, 435, 161, 164, 165; D21/332,  
D21/333; 360/132, 133, 92, 92.01, 99.01,  
360/99.02, 99.06; 273/148 B, 148 A; 463/1,  
463/30, 43-47; 242/348, 341, 335  
See application file for complete search history.

(56) **References Cited**

**U.S. PATENT DOCUMENTS**

D398,913 S \* 9/1998 Tseng ..... D14/435  
5,870,245 A \* 2/1999 Kersey et al. .... 360/92  
D437,860 S \* 2/2001 Suzuki et al. .... D14/496  
6,254,477 B1 \* 7/2001 Sasaki et al. .... 463/1  
6,473,297 B1 \* 10/2002 Behl et al. .... 361/685

D482,692 S \* 11/2003 Nishio et al. .... D14/433  
6,650,961 B1 \* 11/2003 Deckers ..... 700/213  
D486,498 S \* 2/2004 Stamm et al. .... D14/481  
D492,321 S \* 6/2004 Farrar et al. .... D14/478  
6,795,318 B1 \* 9/2004 Haas et al. .... 361/729  
6,795,381 B1 \* 9/2004 Ando et al. .... 369/30.03  
6,933,928 B1 \* 8/2005 Lilienthal ..... 345/173

\* cited by examiner

*Primary Examiner*—Prabhakar Deshmukh

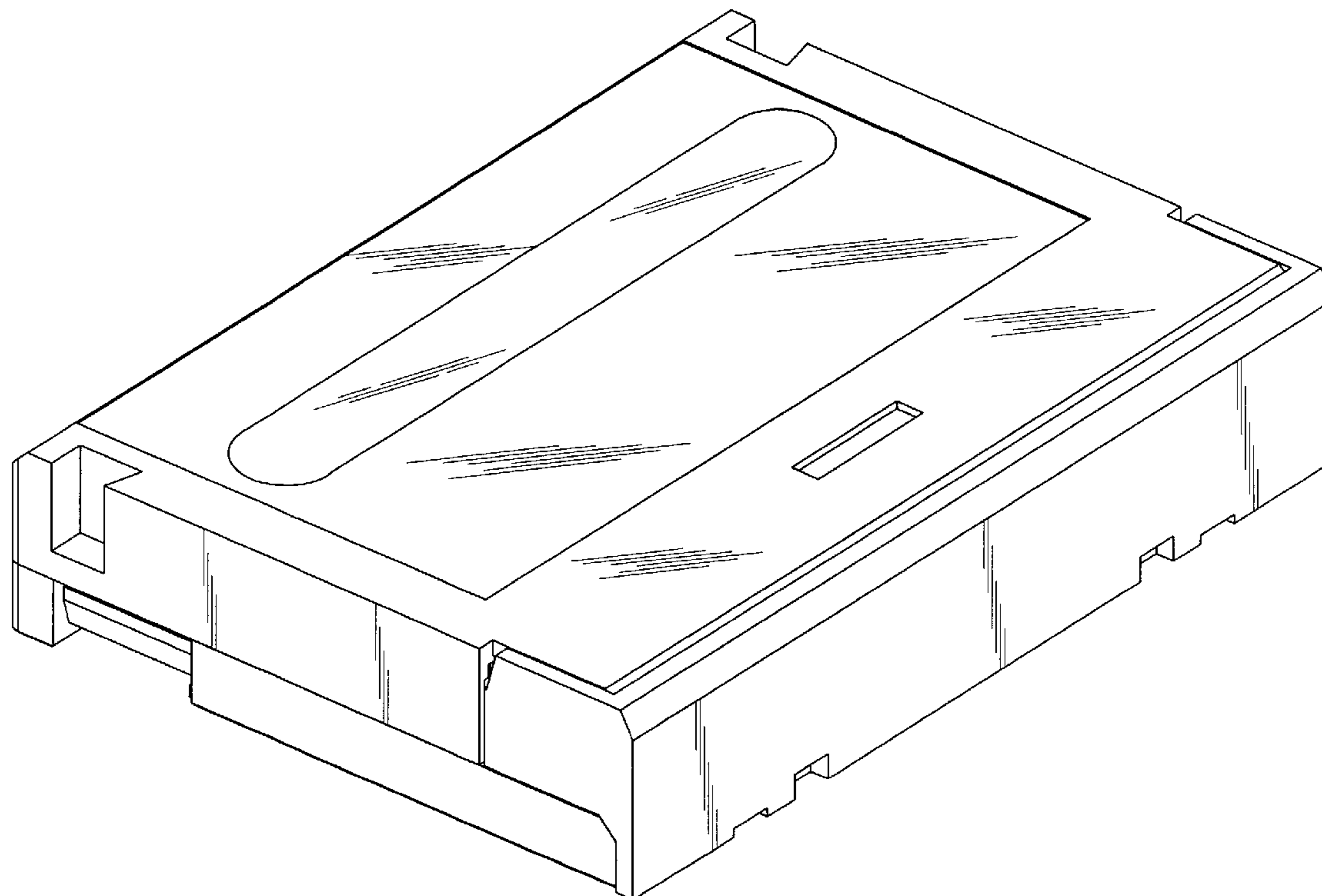
(57) **CLAIM**

The ornamental design for a media cartridge, as shown and described.

**DESCRIPTION**

FIG. 1 is a perspective top view of a media cartridge showing my new design;  
FIG. 2 is a perspective bottom view thereof;  
FIG. 3 is a perspective rear view thereof;  
FIG. 4 is a top plan view thereof;  
FIG. 5 is a bottom plan view thereof;  
FIG. 6 is a front plan view thereof;  
FIG. 7 is a rear plan view thereof;  
FIG. 8 is a left side plan view thereof; and,  
FIG. 9 is a right side plan view thereof.

**1 Claim, 7 Drawing Sheets**



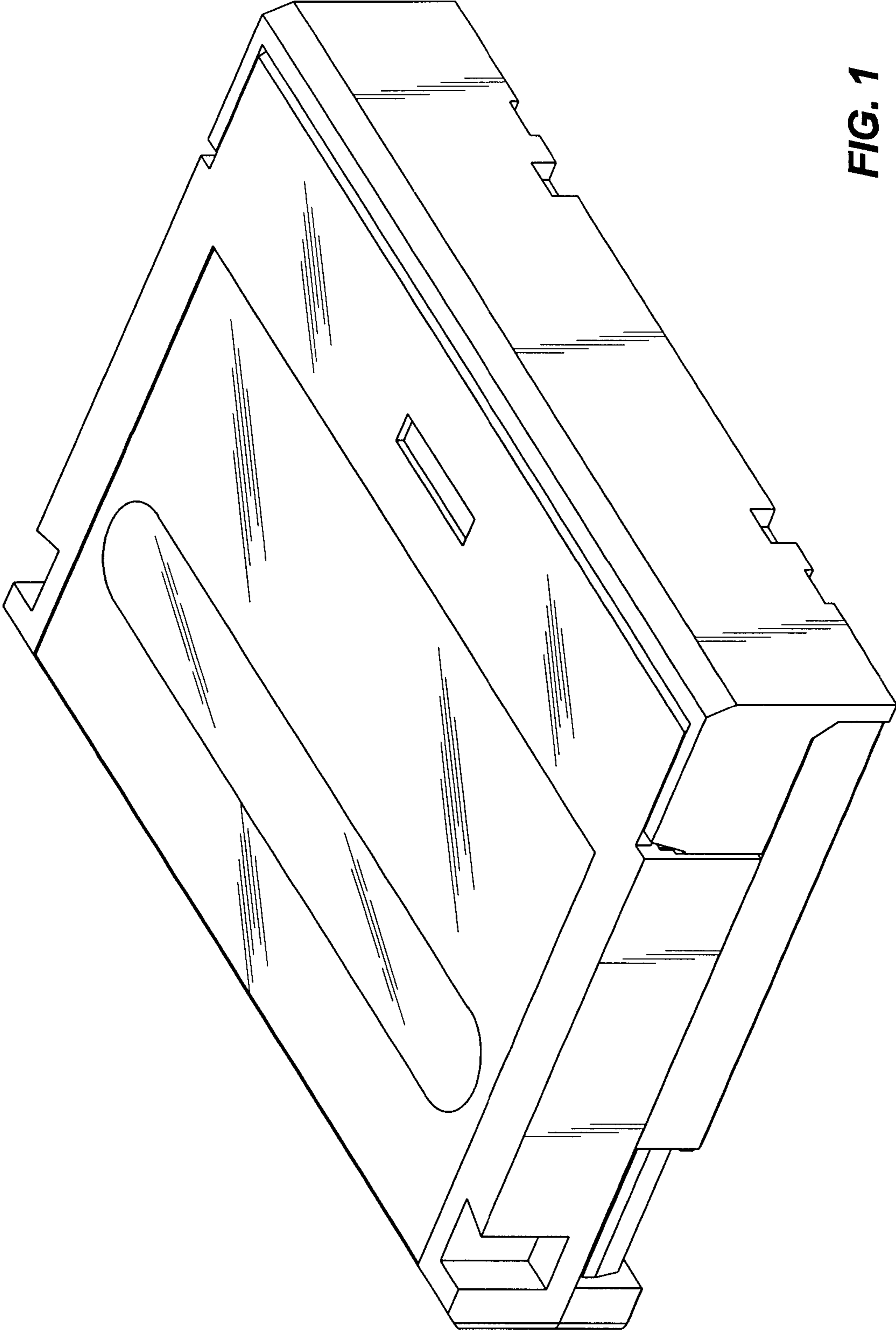


FIG. 1

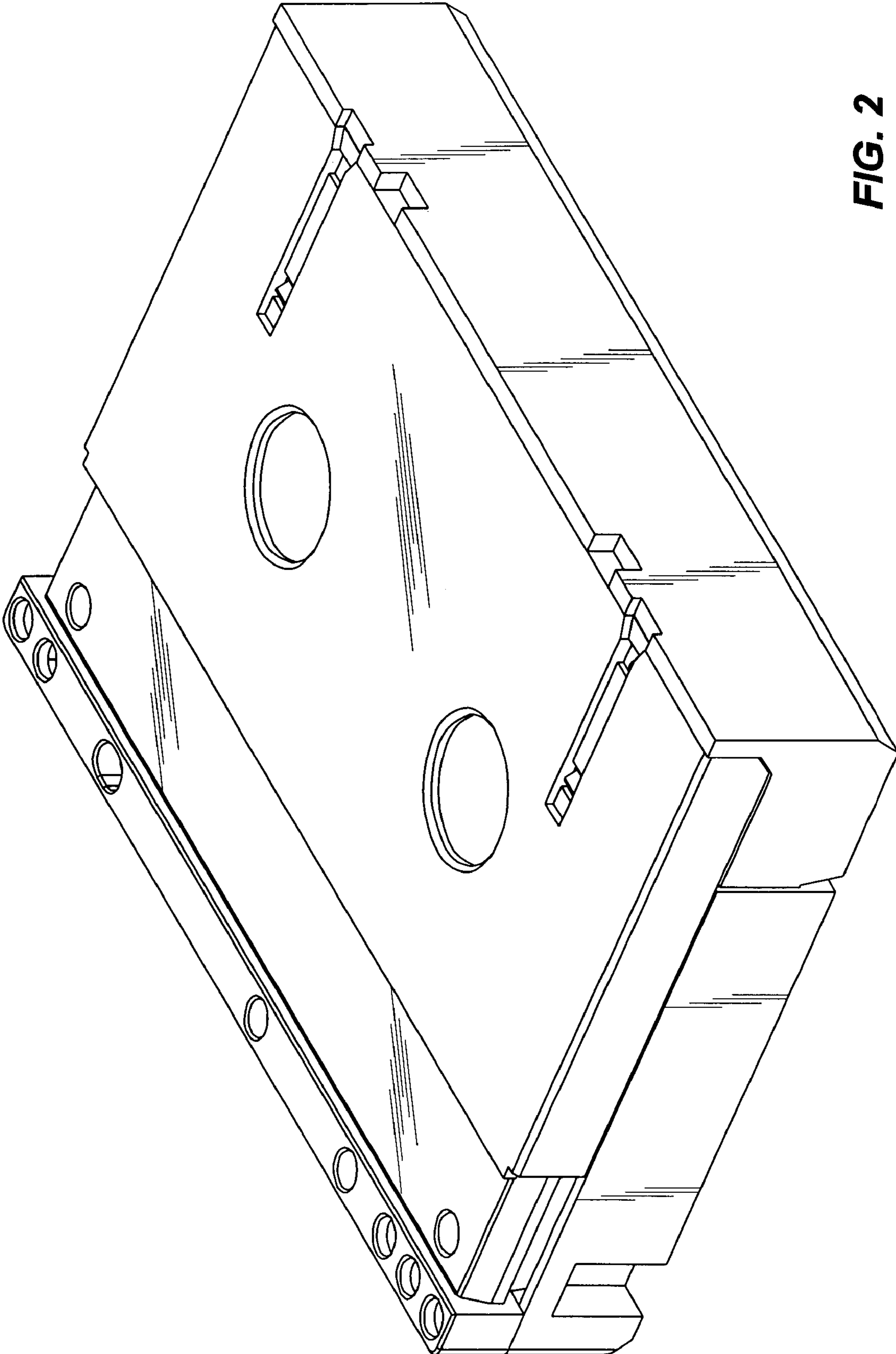


FIG. 2

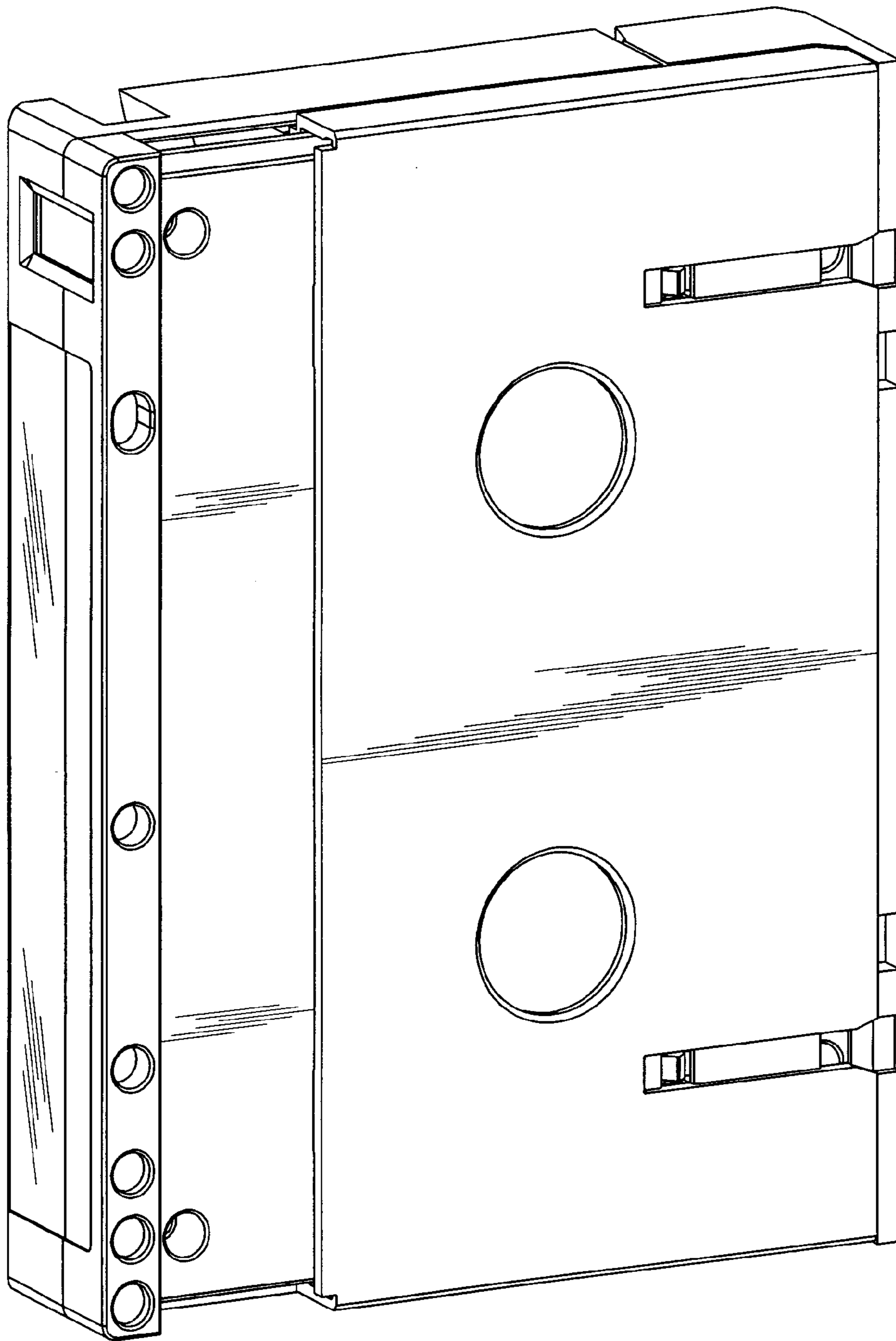
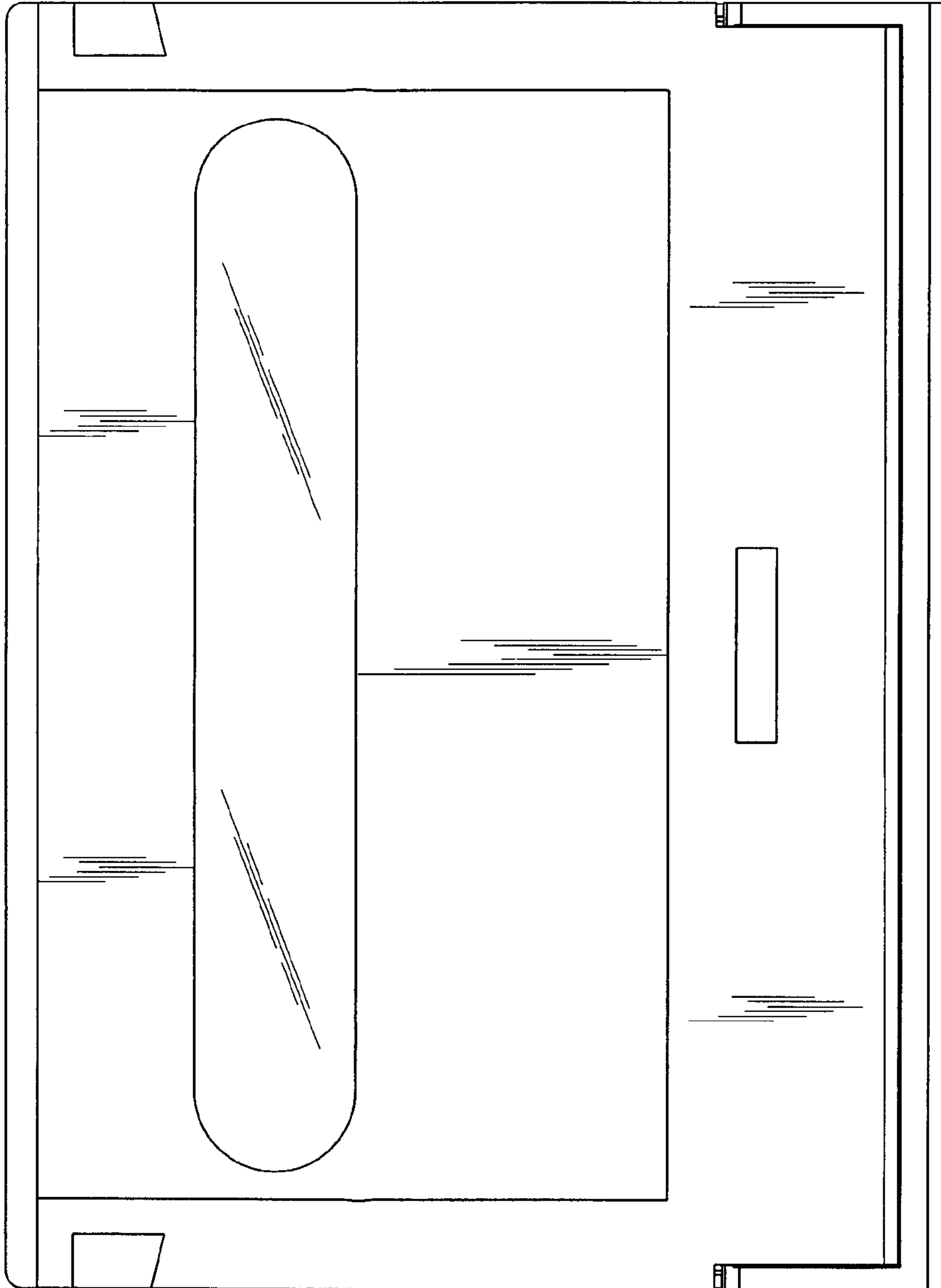


FIG. 3



**FIG. 4**



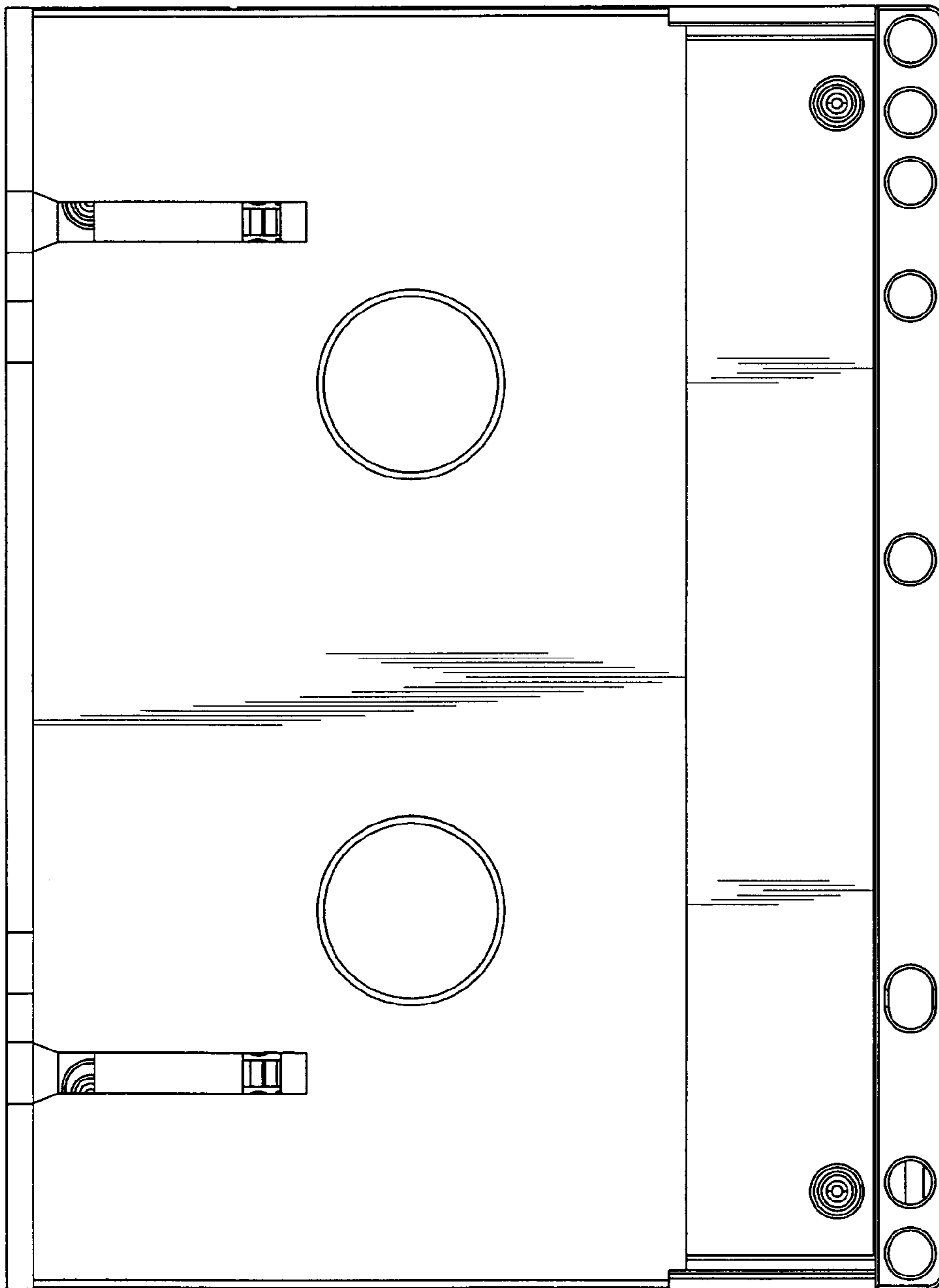
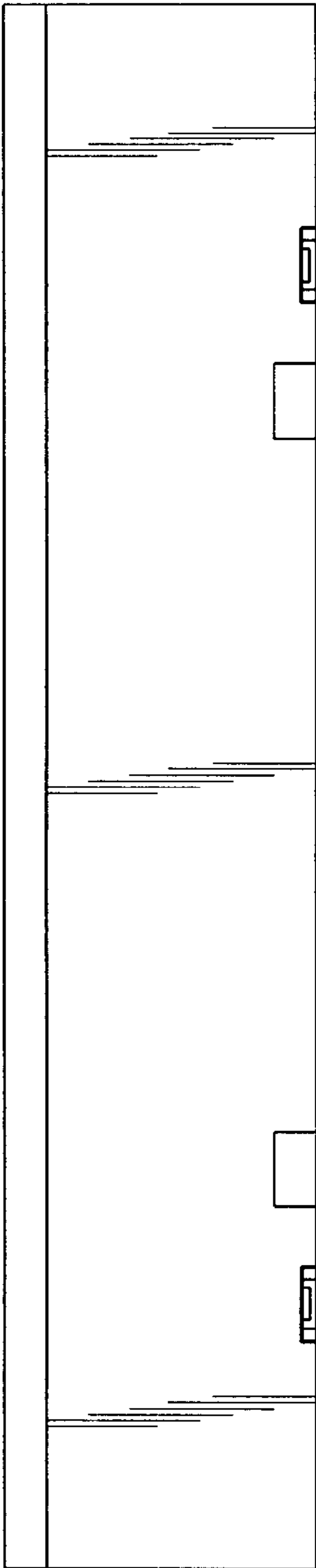
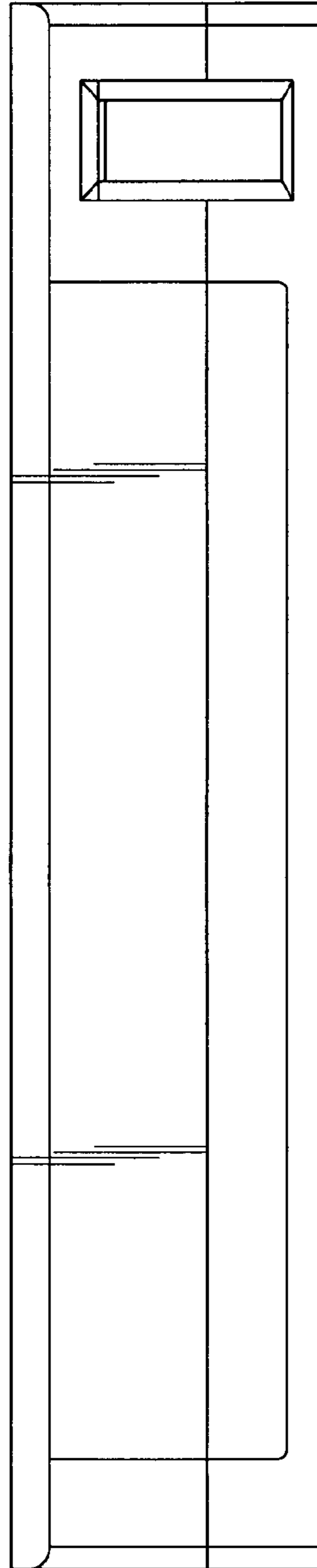


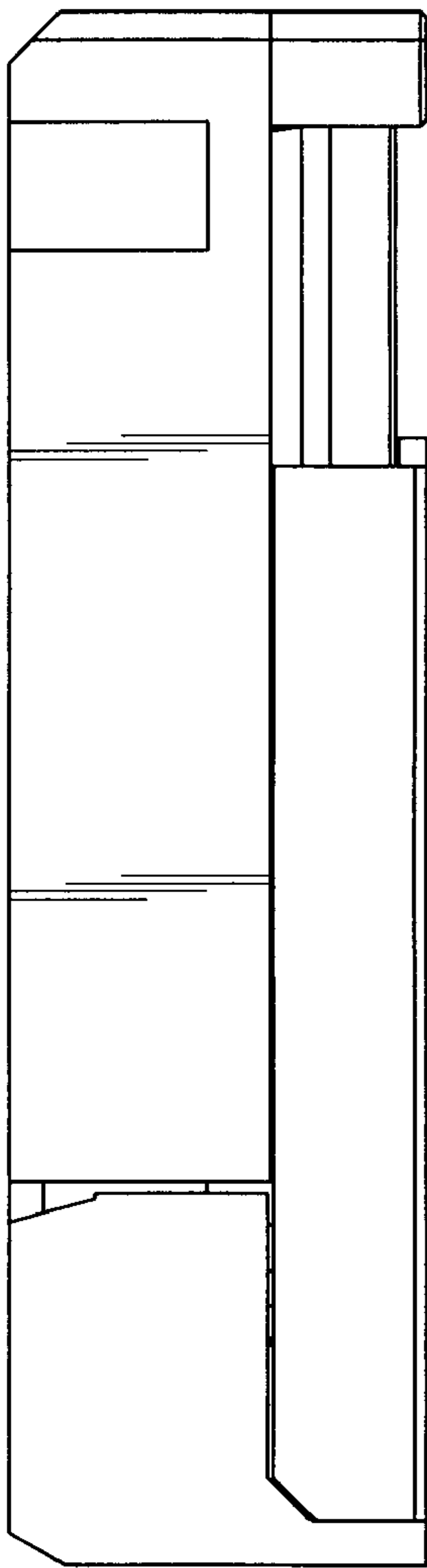
FIG. 5



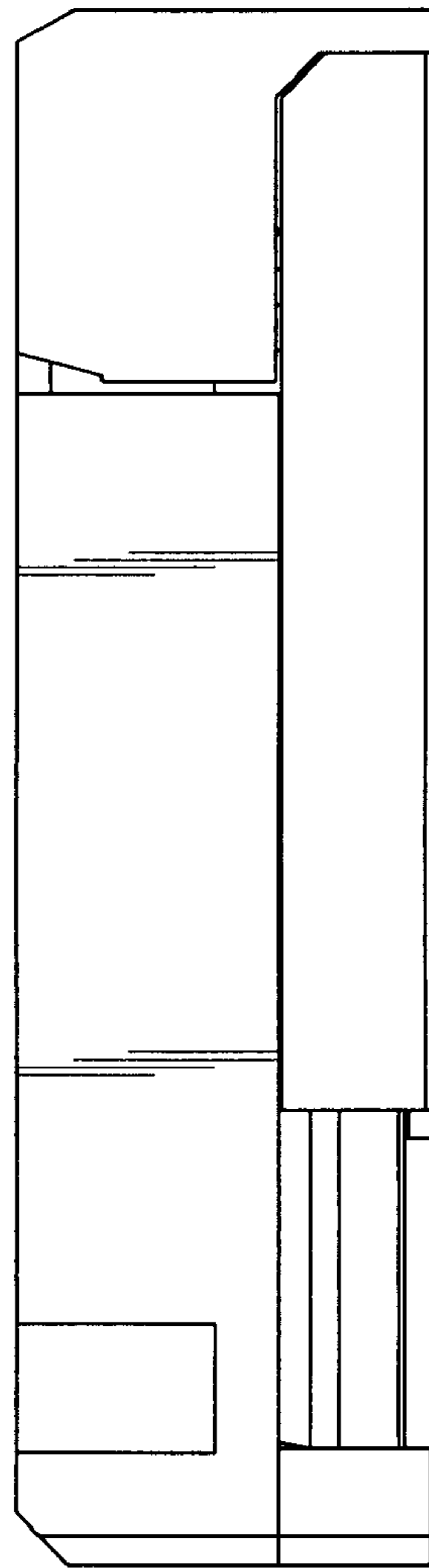
**FIG. 6**



**FIG. 7**



**FIG. 8**



**FIG. 9**