

US00D523849S

(12) **United States Design Patent**
Ishikawa et al.

(10) **Patent No.:** **US D523,849 S**
(45) **Date of Patent:** **** Jun. 27, 2006**

(54) **SPEAKER FOR AN AUTOMOBILE**

FOREIGN PATENT DOCUMENTS

(75) Inventors: **Keiji Ishikawa**, Matsusaka (JP);
Hiromi Sawa, Matsusaka (JP)

JP 1157504 11/2002
JP 1157507 11/2002

(73) Assignee: **Matsushita Electric Industrial Co., Ltd.**, Osaka (JP)

OTHER PUBLICATIONS

Myer Emco catalog, p. 29, MB Quart 'RKB' series, bridge mounted component speakers.*

(**) Term: **14 Years**

* cited by examiner

(21) Appl. No.: **29/225,401**

Primary Examiner—Nanda Bondade

(22) Filed: **Mar. 15, 2005**

(74) *Attorney, Agent, or Firm*—Brinks Hofer Gilson & Lione

(30) **Foreign Application Priority Data**

Sep. 16, 2004 (JP) 2004-028137

(57) **CLAIM**

(51) **LOC (8) Cl.** **14-01**

We claim the ornamental design for a speaker for an automobile, as shown and described.

(52) **U.S. Cl.** **D14/221**

DESCRIPTION

(58) **Field of Classification Search** D14/204,
D14/207, 209–217, 221–222, 157, 172, 356,
D14/496; 181/143–144, 147–148, 150, 157,
181/198–199, 153; 381/300–302, 306, 333,
381/345, 361–364, 332, 336, 380, 186, 87
See application file for complete search history.

FIG. 1 is a top perspective view of a speaker for an automobile of the present invention;
FIG. 2 is a top view thereof;
FIG. 3 is a first side view thereof;
FIG. 4 is a second side view thereof;
FIG. 5 is a third side view thereof;
FIG. 6 is a fourth side view thereof; and,
FIG. 7 is a bottom view thereof.

(56) **References Cited**

U.S. PATENT DOCUMENTS

4,672,675 A * 6/1987 Powell et al. 381/87
D402,989 S * 12/1998 Church et al. D14/216
D488,802 S * 4/2004 Uehara et al. D14/216
D489,359 S * 5/2004 Hakoda D14/215
D497,902 S * 11/2004 Farinelli et al. D14/216

The broken line showing on the drawing disclosure is for illustrative purposes only and forms no part of the claimed design.

1 Claim, 3 Drawing Sheets

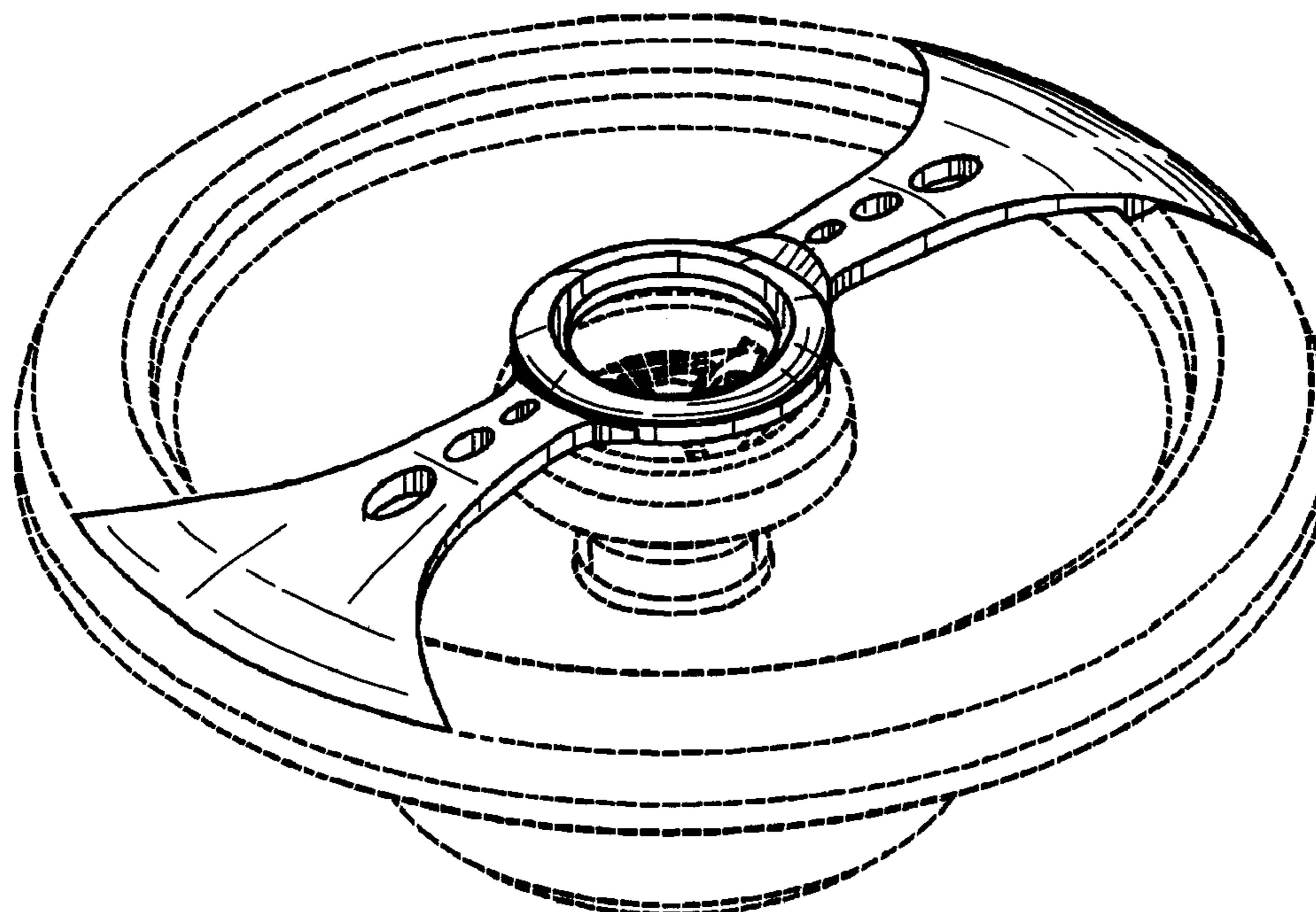


FIG.1

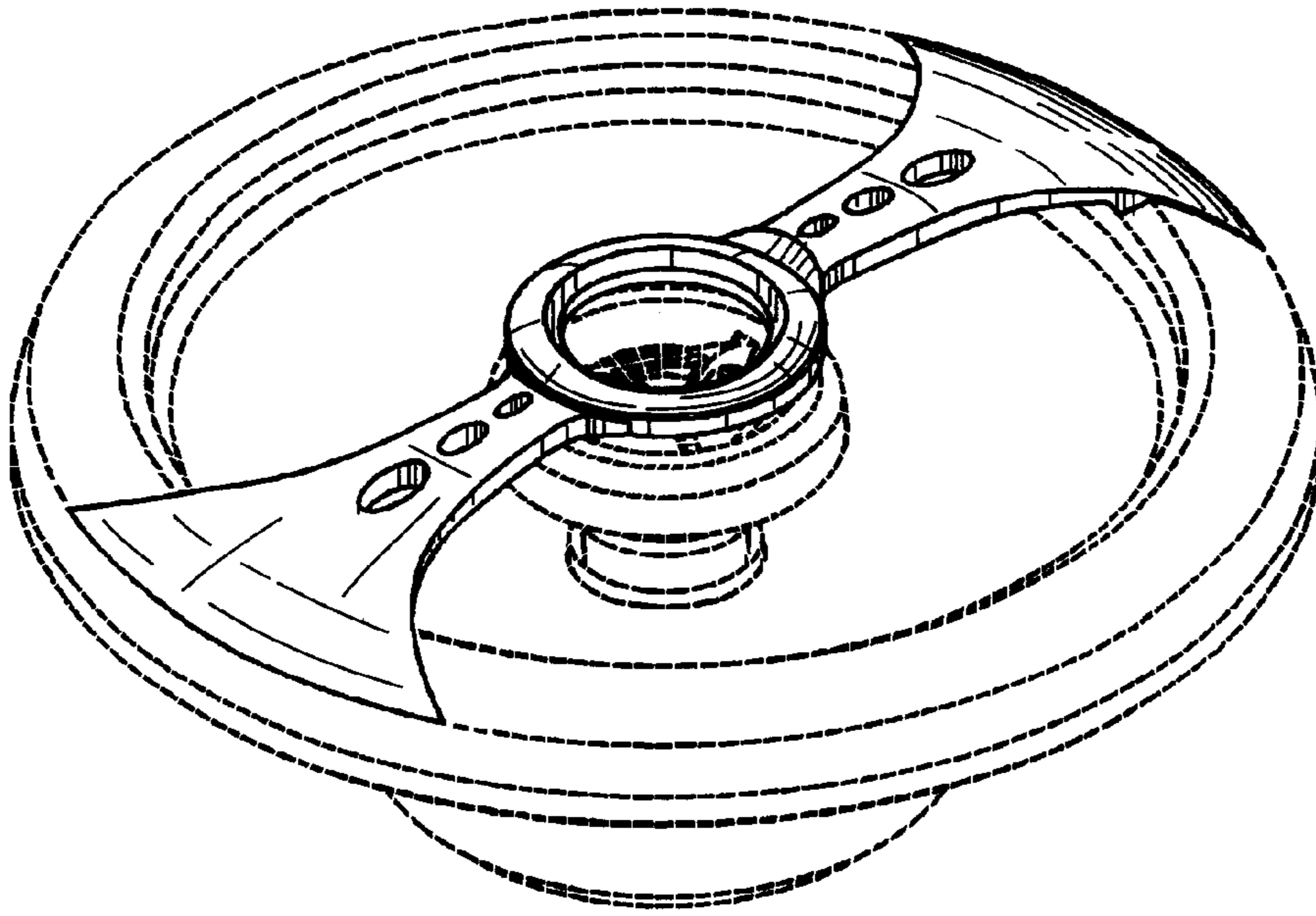


FIG.2

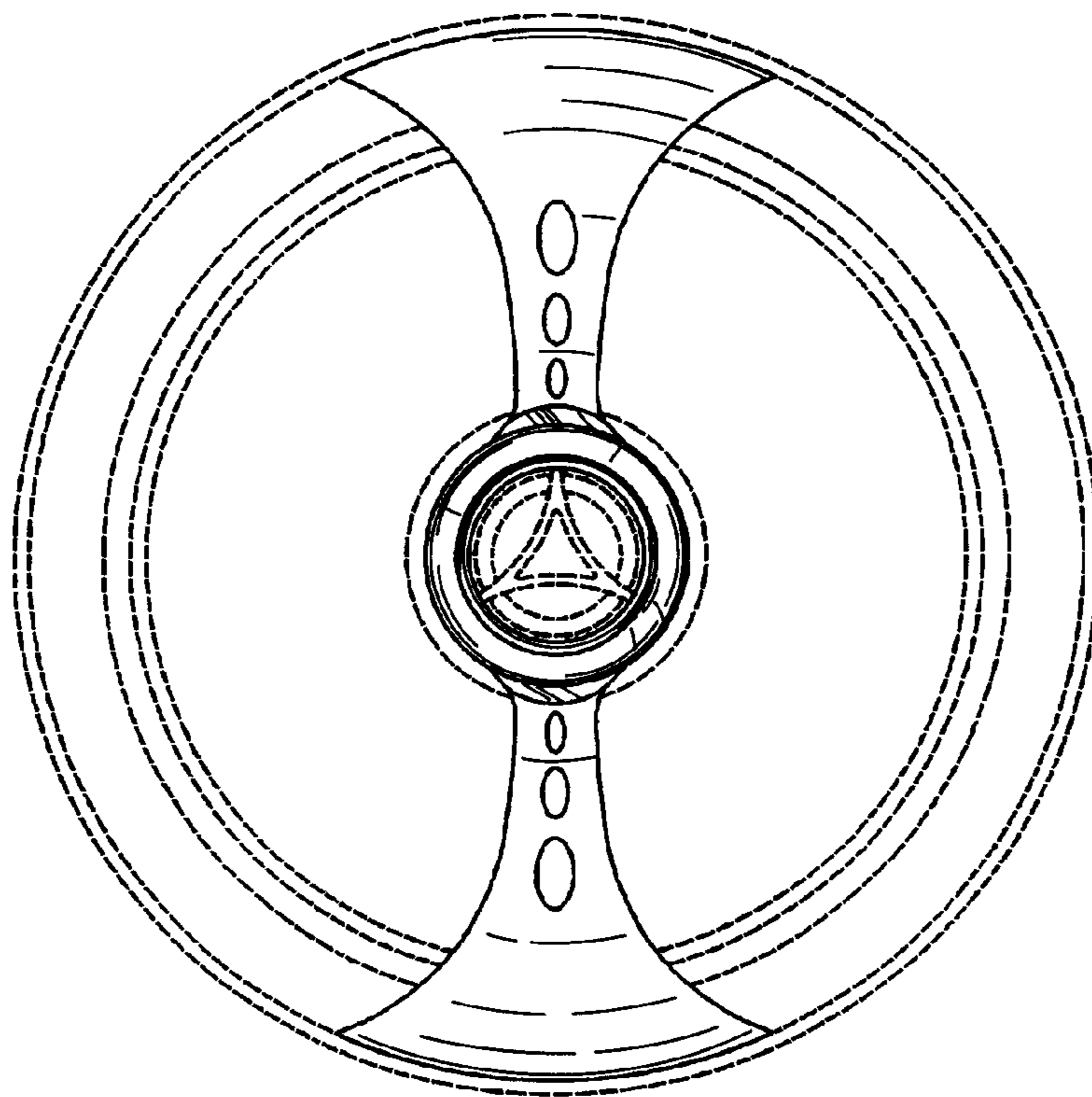


FIG.3

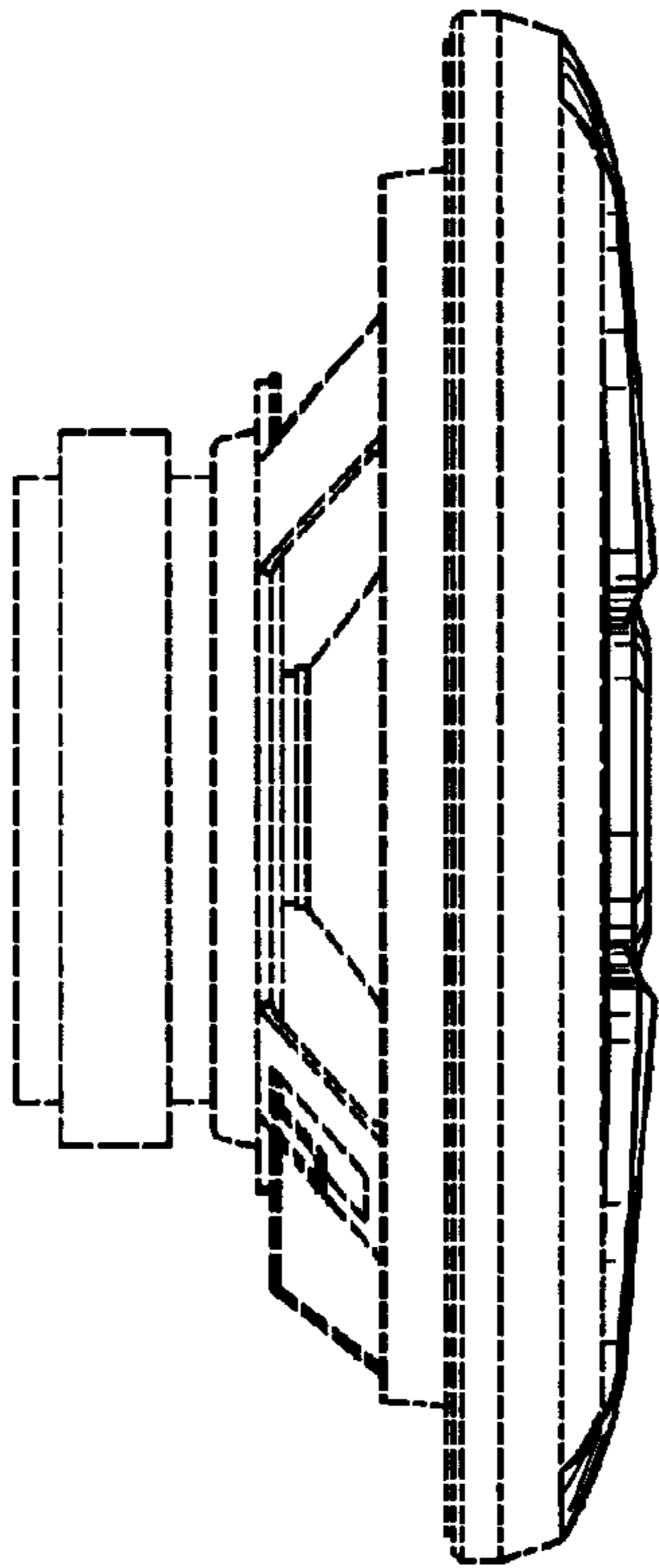


FIG.4

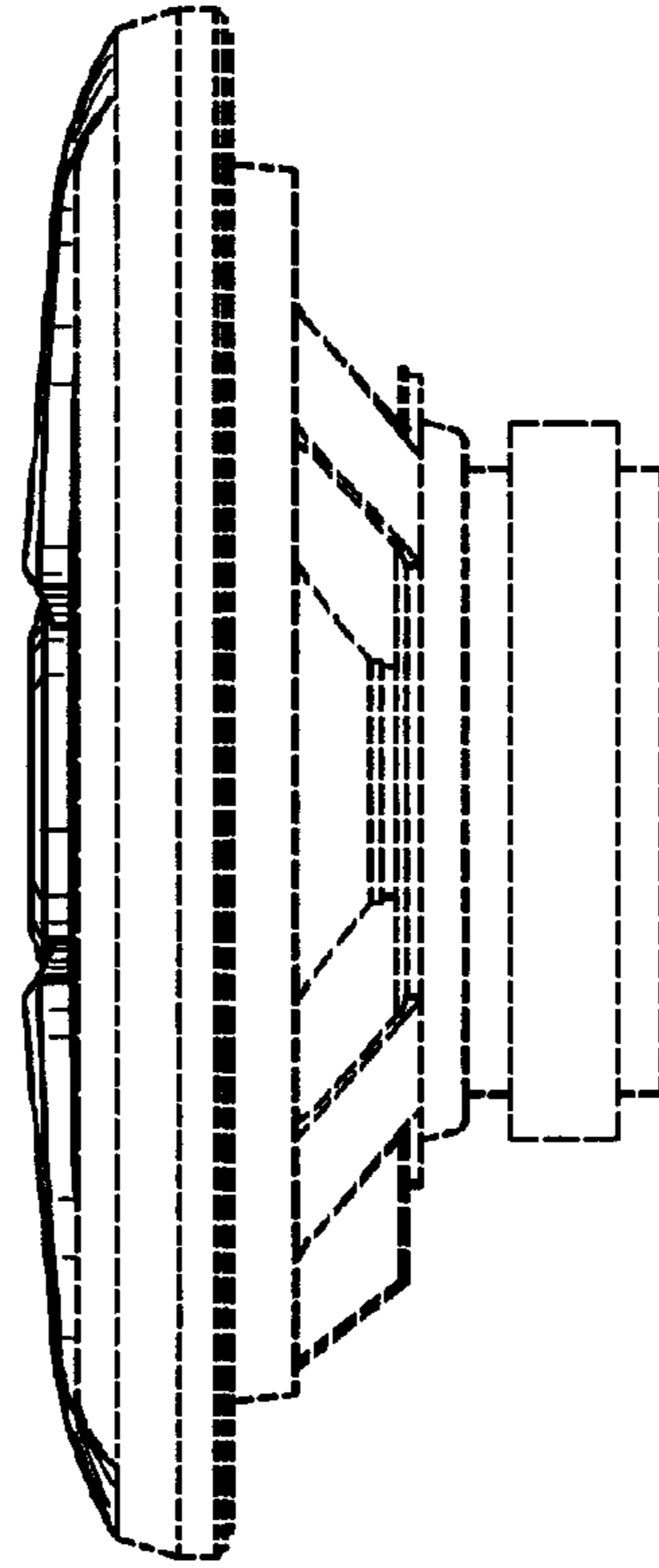


FIG.5

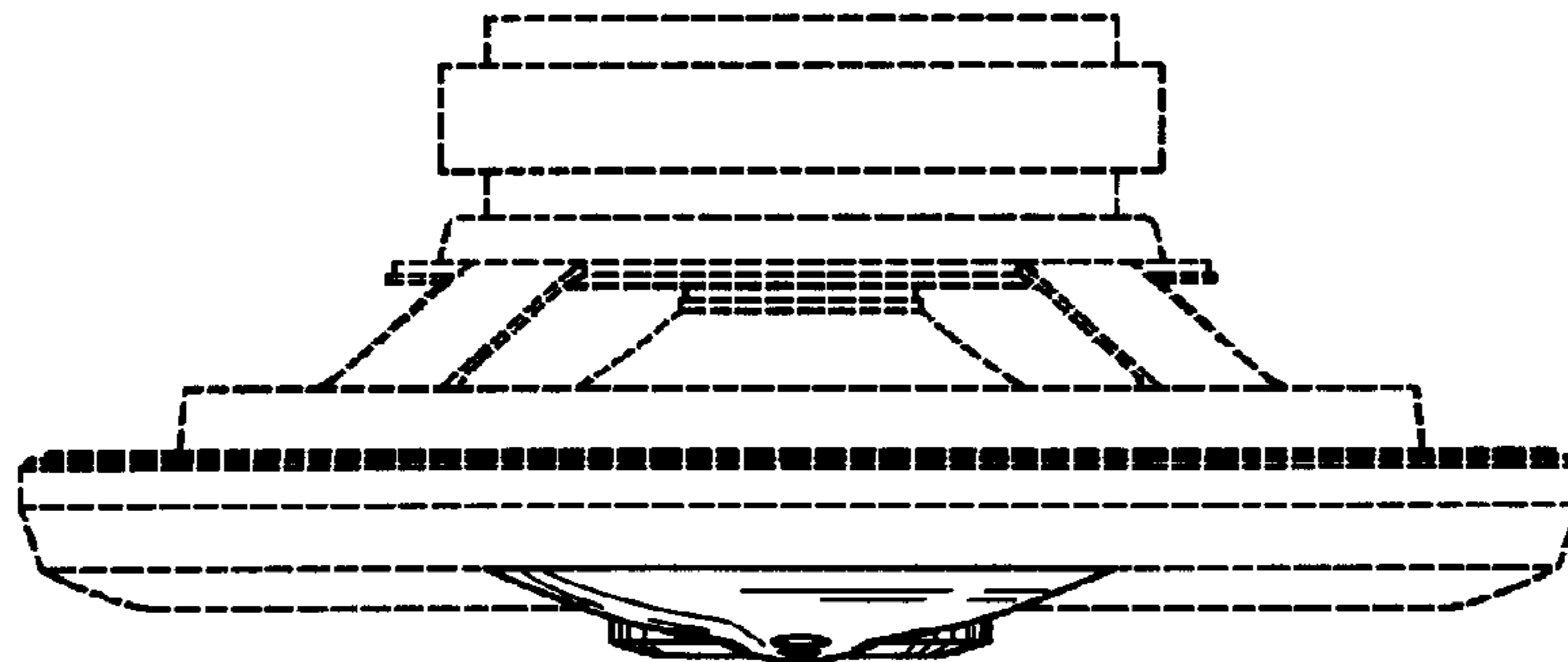


FIG.6

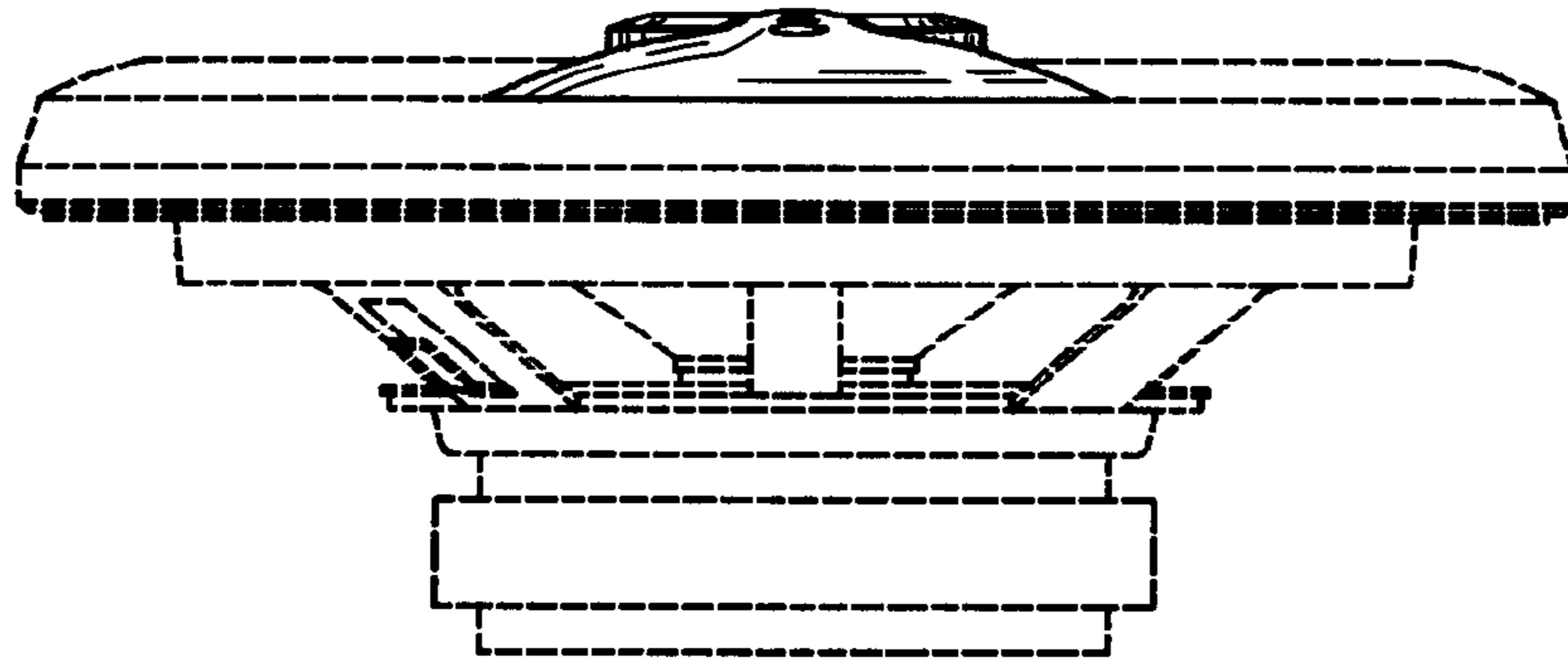


FIG.7

