



US00D523848S

(12) **United States Design Patent**
Shing

(10) **Patent No.:** **US D523,848 S**

(45) **Date of Patent:** **** Jun. 27, 2006**

(54) **SPEAKER**

(76) Inventor: **Yuen Kim Shing**, 14A, Hung To
Commercial Bldg., 357 Lockhart Road,
Wan Chai (HK)

(**) Term: **14 Years**

(21) Appl. No.: **29/221,087**

(22) Filed: **Jan. 11, 2005**

(51) **LOC (8) Cl.** **14-01**

(52) **U.S. Cl.** **D14/221**

(58) **Field of Classification Search** D14/204,
D14/207, 209-216, 356; 181/143-144, 147-148,
181/150, 157, 198-199, 151, 153; 381/300-302,
381/306, 333, 345, 361-364, 386-388, 332,
381/336

See application file for complete search history.

(56) **References Cited**

U.S. PATENT DOCUMENTS

D225,069 S * 11/1972 May D14/216
4,815,558 A * 3/1989 Krainhofer 181/141

D393,641 S * 4/1998 Hai-Fu D14/216
D432,118 S * 10/2000 Honnert D14/216
D484,116 S * 12/2003 Proni D14/216

* cited by examiner

Primary Examiner—Nanda Bondade

(74) *Attorney, Agent, or Firm*—Malloy & Malloy, P.A.

(57) **CLAIM**

The ornamental design for a speaker, as shown and described.

DESCRIPTION

FIG. 1 is a front perspective view illustrating my design for a speaker;

FIG. 2 is a top view thereof;

FIG. 3 is a left side view thereof;

FIG. 4 is a rear view thereof;

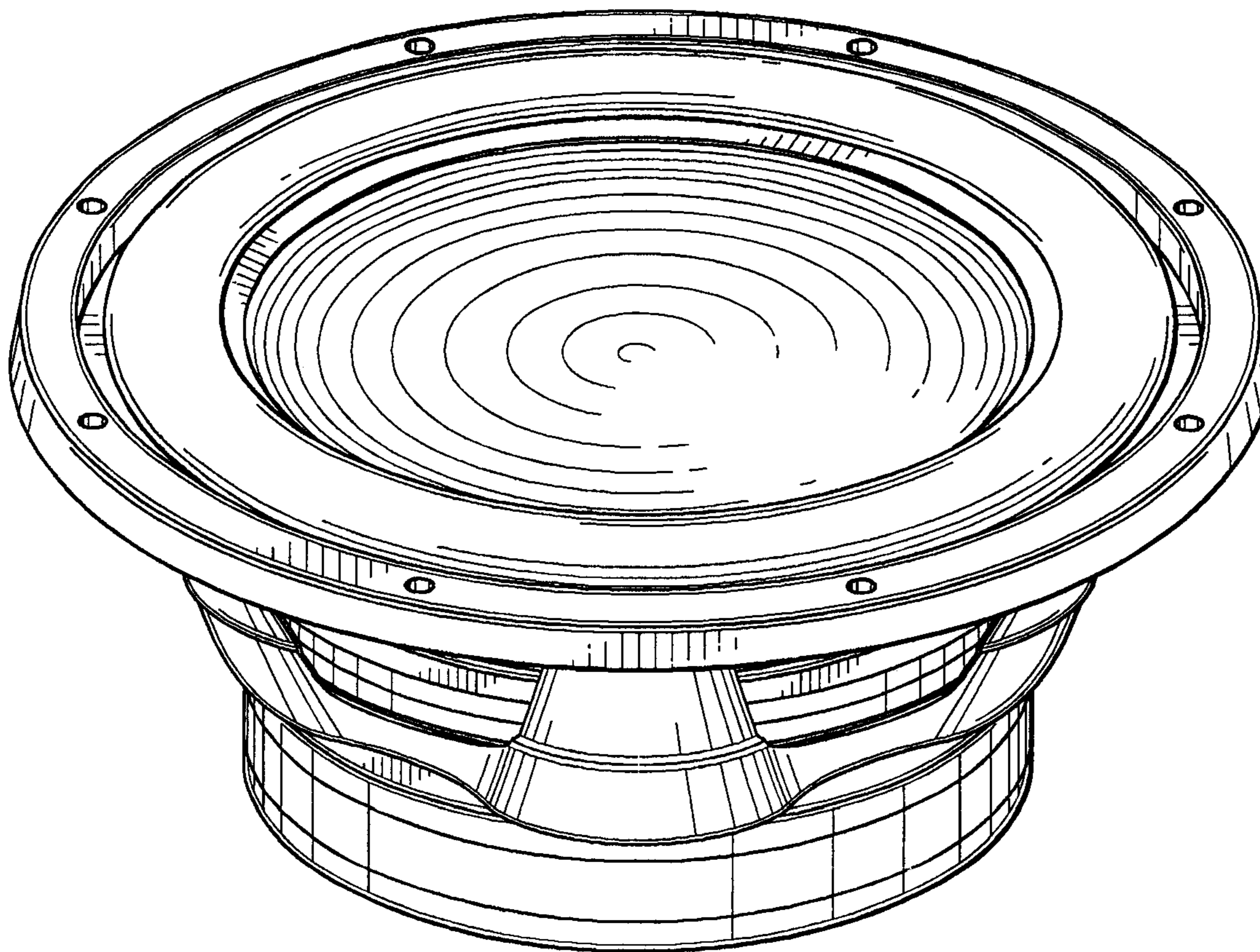
FIG. 5 is a right side view thereof;

FIG. 6 is a front perspective view thereof; and,

FIG. 7 is a bottom view thereof.

The broken line showing on FIG. 7 is for illustrative purposes only and forms no part of the claimed design.

1 Claim, 6 Drawing Sheets



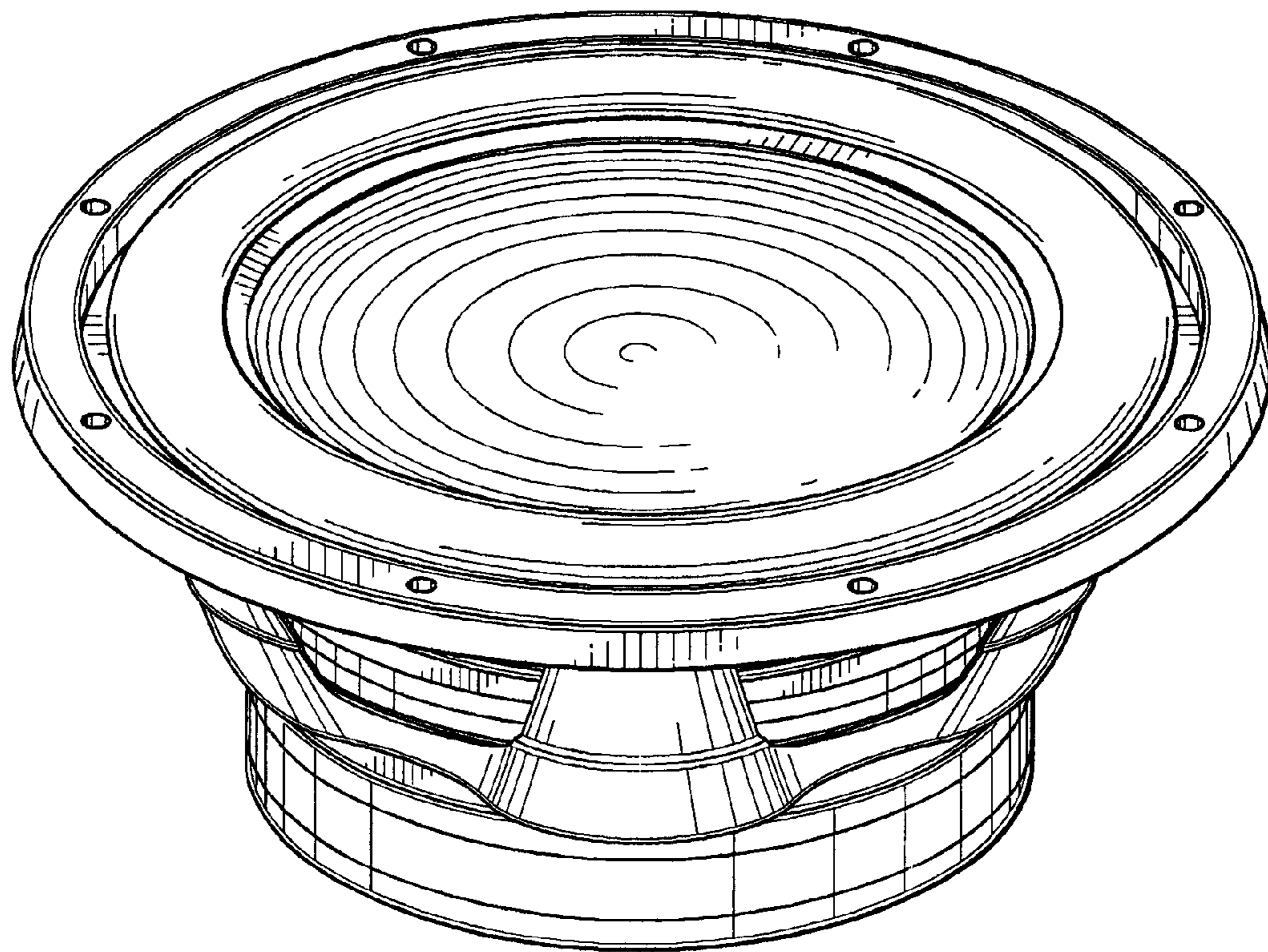


FIG. 1

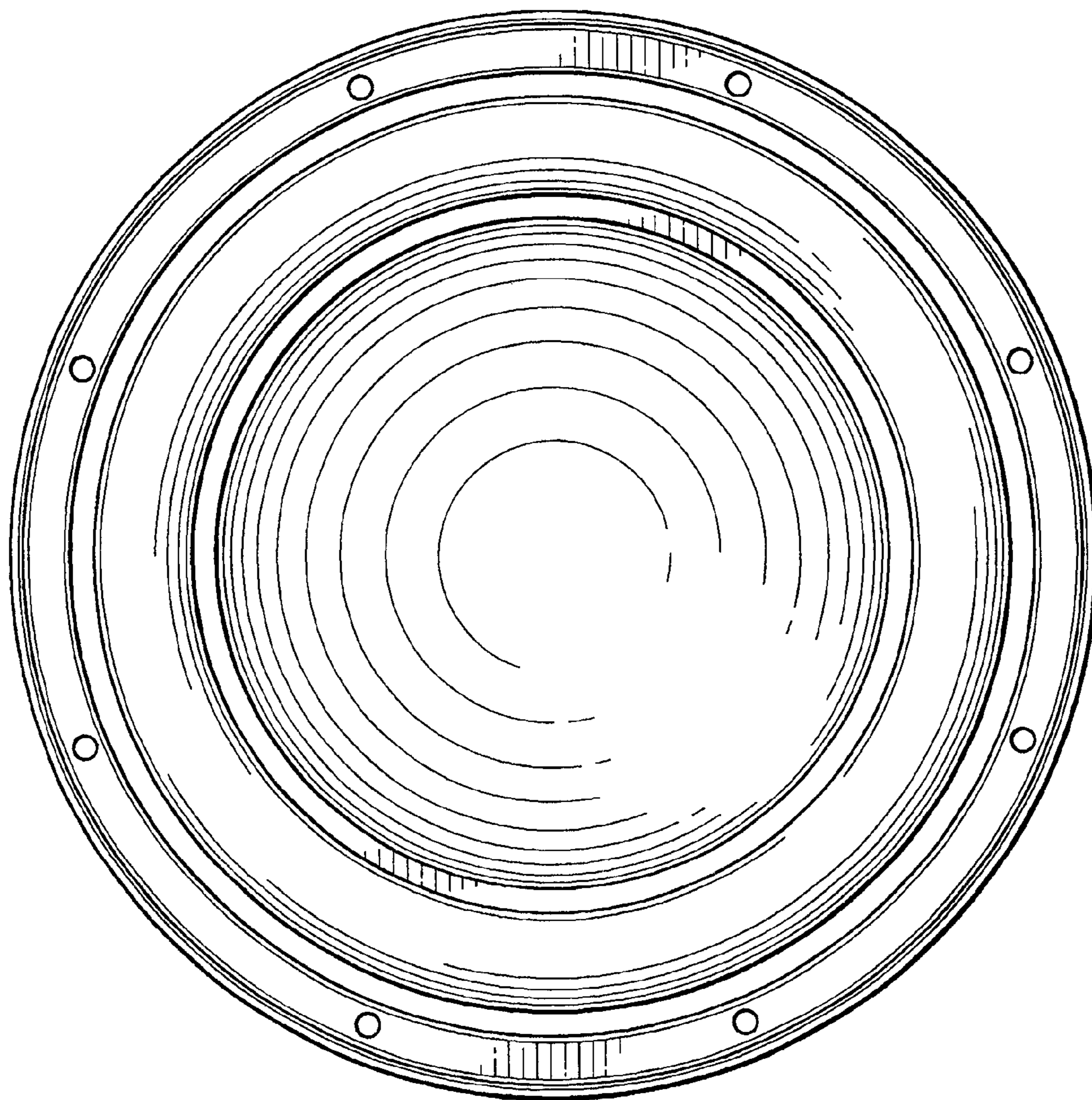


FIG. 2

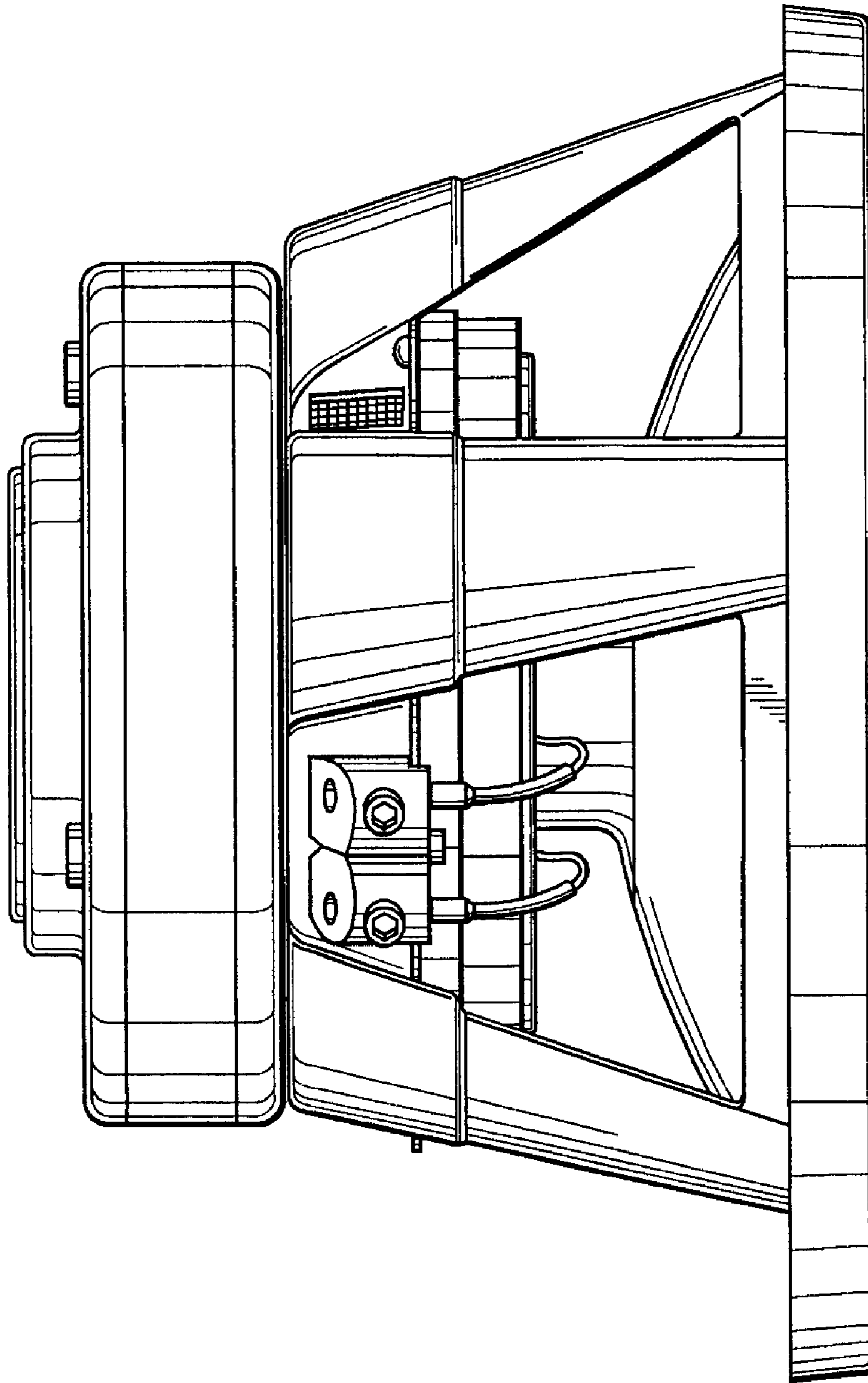


FIG. 3

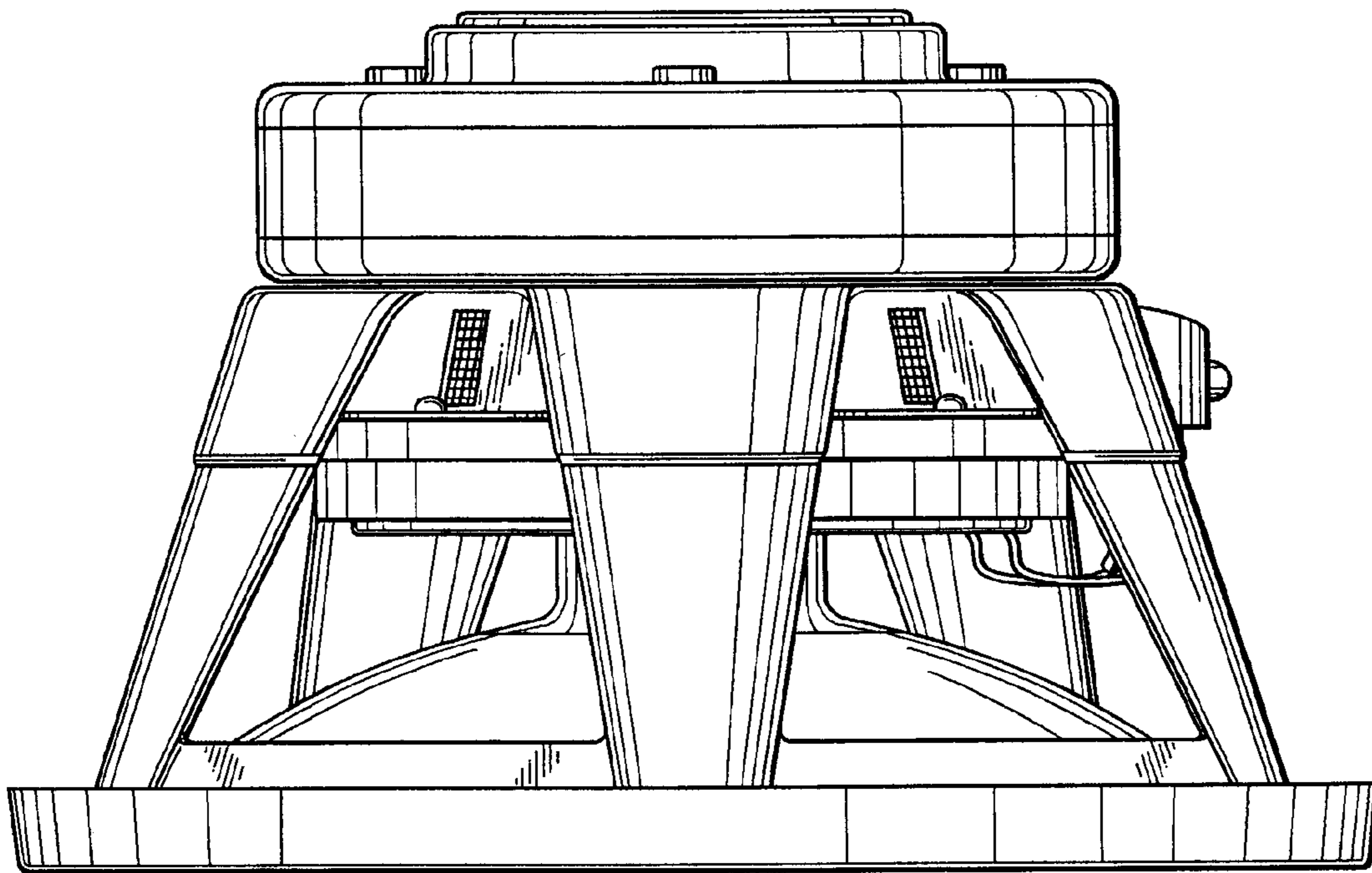


FIG. 4

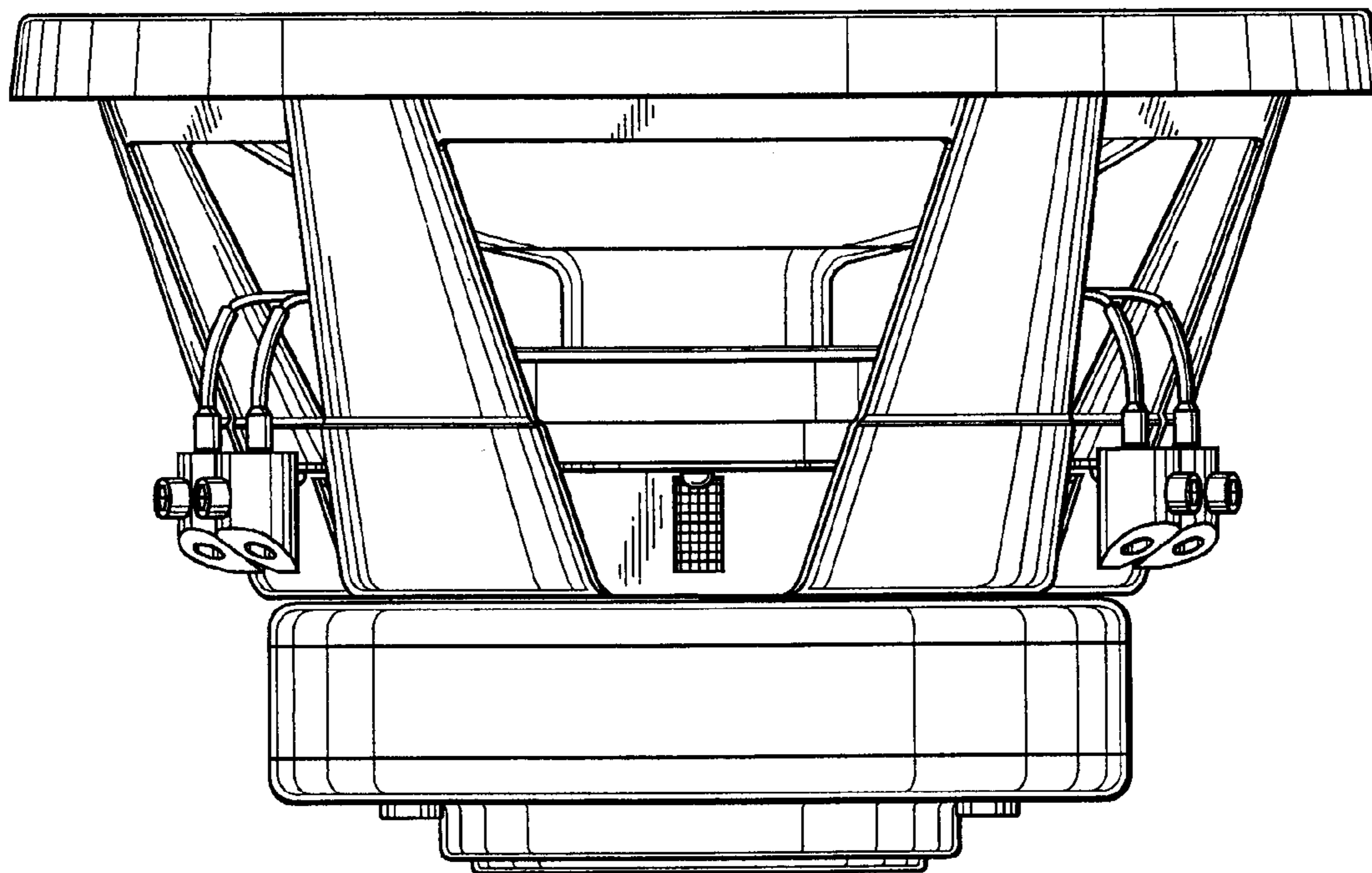


FIG. 6

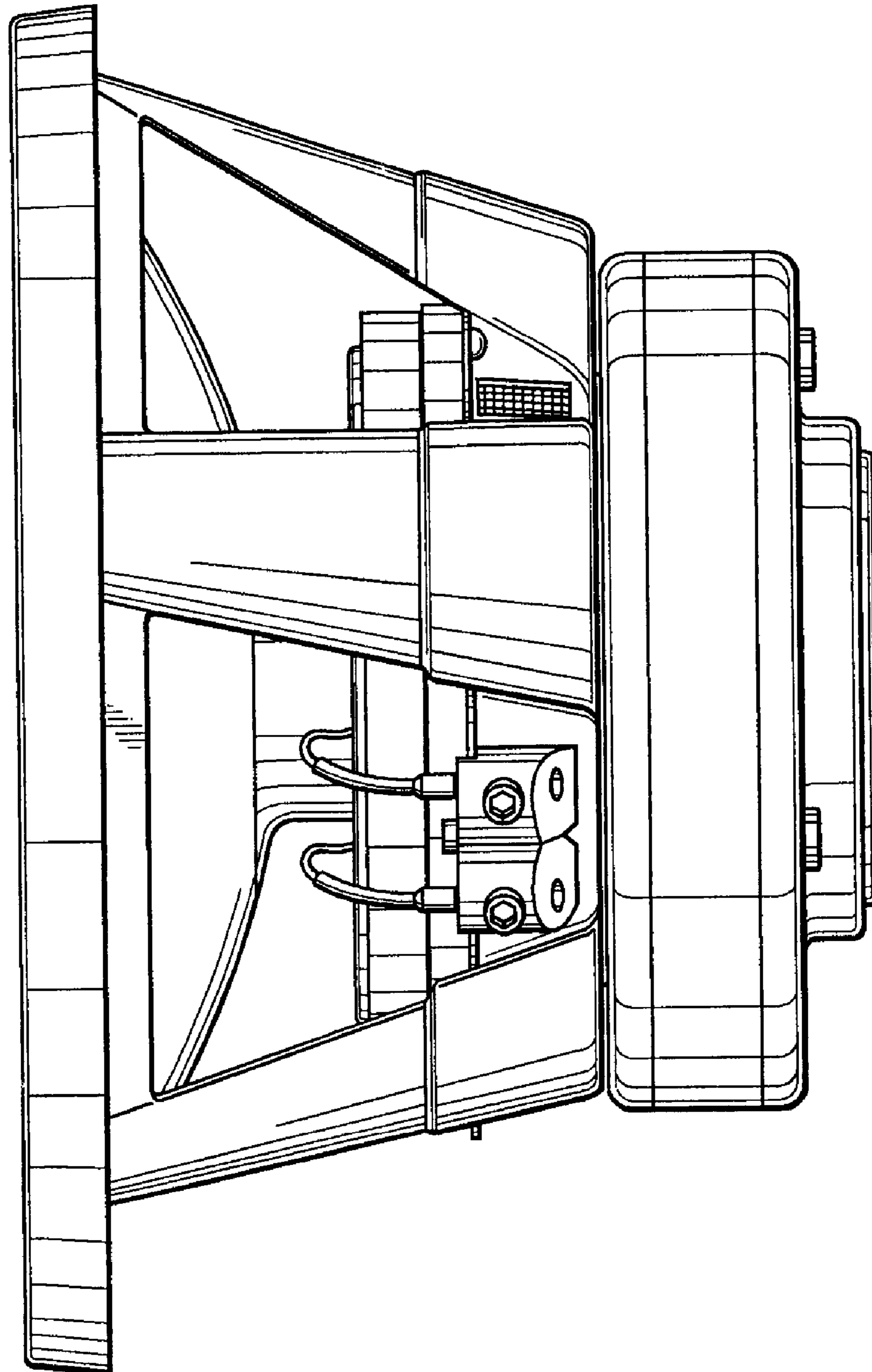


FIG. 5

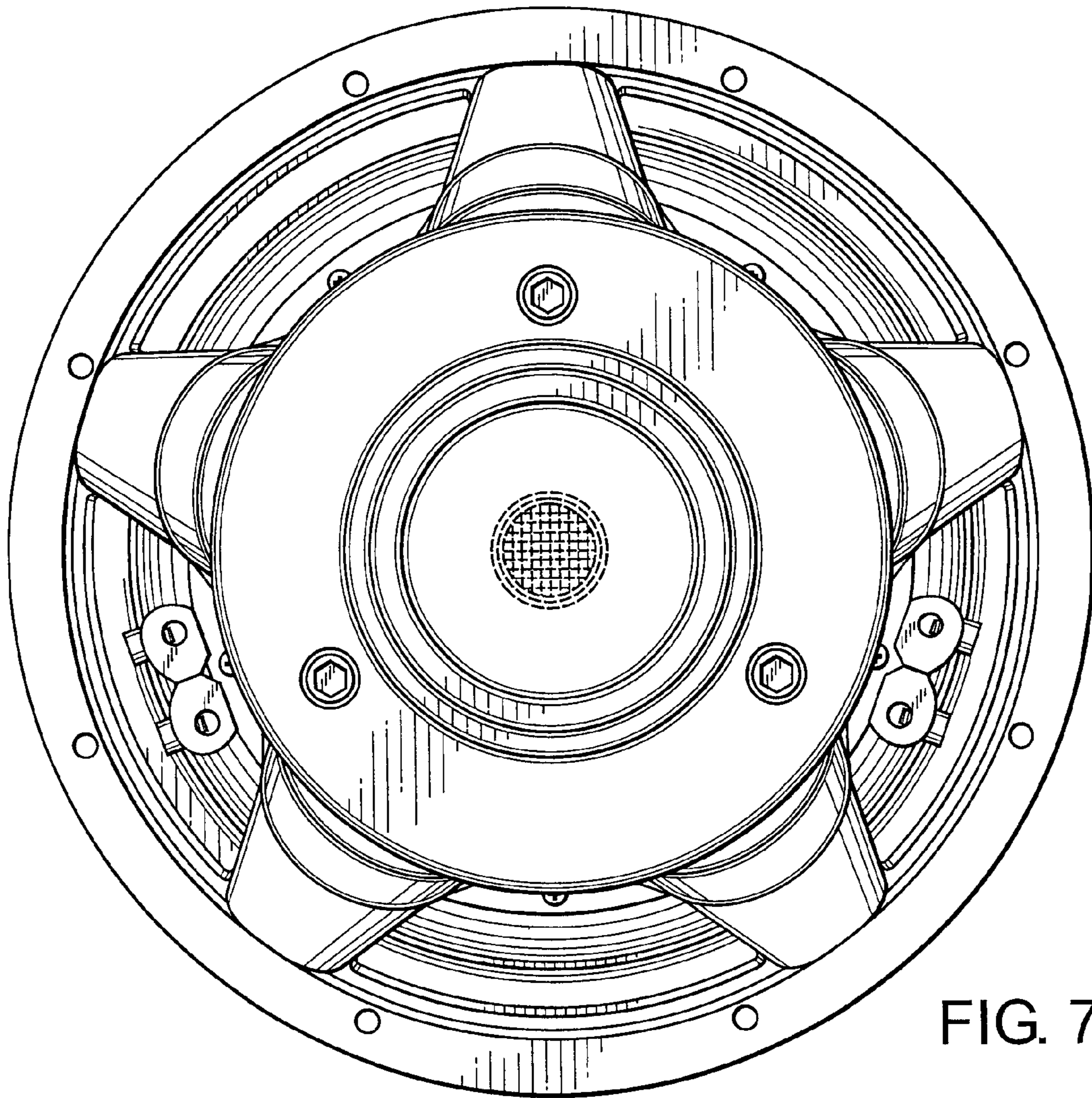


FIG. 7