

US00D523847S

(12) **United States Design Patent**
Naruki

(10) **Patent No.:** **US D523,847 S**
(45) **Date of Patent:** **** Jun. 27, 2006**

(54) **DOCKING UNIT FOR DIGITAL AUDIO PLAYERS**

D474,737 S * 5/2003 Yoshida D13/108
6,711,005 B1 * 3/2004 Martin 361/683
D489,323 S 5/2004 Yoshida
D495,336 S * 8/2004 Andre et al. D14/434

(75) Inventor: **Masatomo Naruki**, Kawasaki (JP)

(73) Assignee: **Kabushiki Kaisha Toshiba** (JP)

(**) Term: **14 Years**

FOREIGN PATENT DOCUMENTS

JP 1112687 6/2001
JP 1168455 3/2003

(21) Appl. No.: **29/216,153**

(22) Filed: **Nov. 1, 2004**

(30) **Foreign Application Priority Data**

Sep. 21, 2004 (JP) D2004-028544

(51) **LOC (8) Cl.** **14-99**

(52) **U.S. Cl.** **D14/217; D13/108**

(58) **Field of Classification Search** D13/107,
D13/108; D14/217, 496, 434; D16/219; 379/110.01;
361/683, 686, 379; 381/2, 311, 334; 369/539,
369/301

See application file for complete search history.

* cited by examiner

Primary Examiner—Nanda Bondade

(74) *Attorney, Agent, or Firm*—Banner & Witcoff, Ltd.

(57) **CLAIM**

The ornamental design for a docking unit for digital audio players, as shown and described.

DESCRIPTION

FIG. 1 is a top, front and right side perspective view of a docking unit for digital audio players showing my new design,

FIG. 2 is a front elevational view thereof,

FIG. 3 is a rear elevational view thereof,

FIG. 4 is a left side elevational view thereof,

FIG. 5 is a right side elevational view thereof,

FIG. 6 is a top plan view thereof; and,

FIG. 7 is a bottom plan view thereof.

(56) **References Cited**

U.S. PATENT DOCUMENTS

D354,041 S 1/1995 Scheid et al.
5,627,727 A * 5/1997 Aguilera et al. 361/686
5,875,094 A * 2/1999 Kirkendoll 361/686

1 Claim, 4 Drawing Sheets

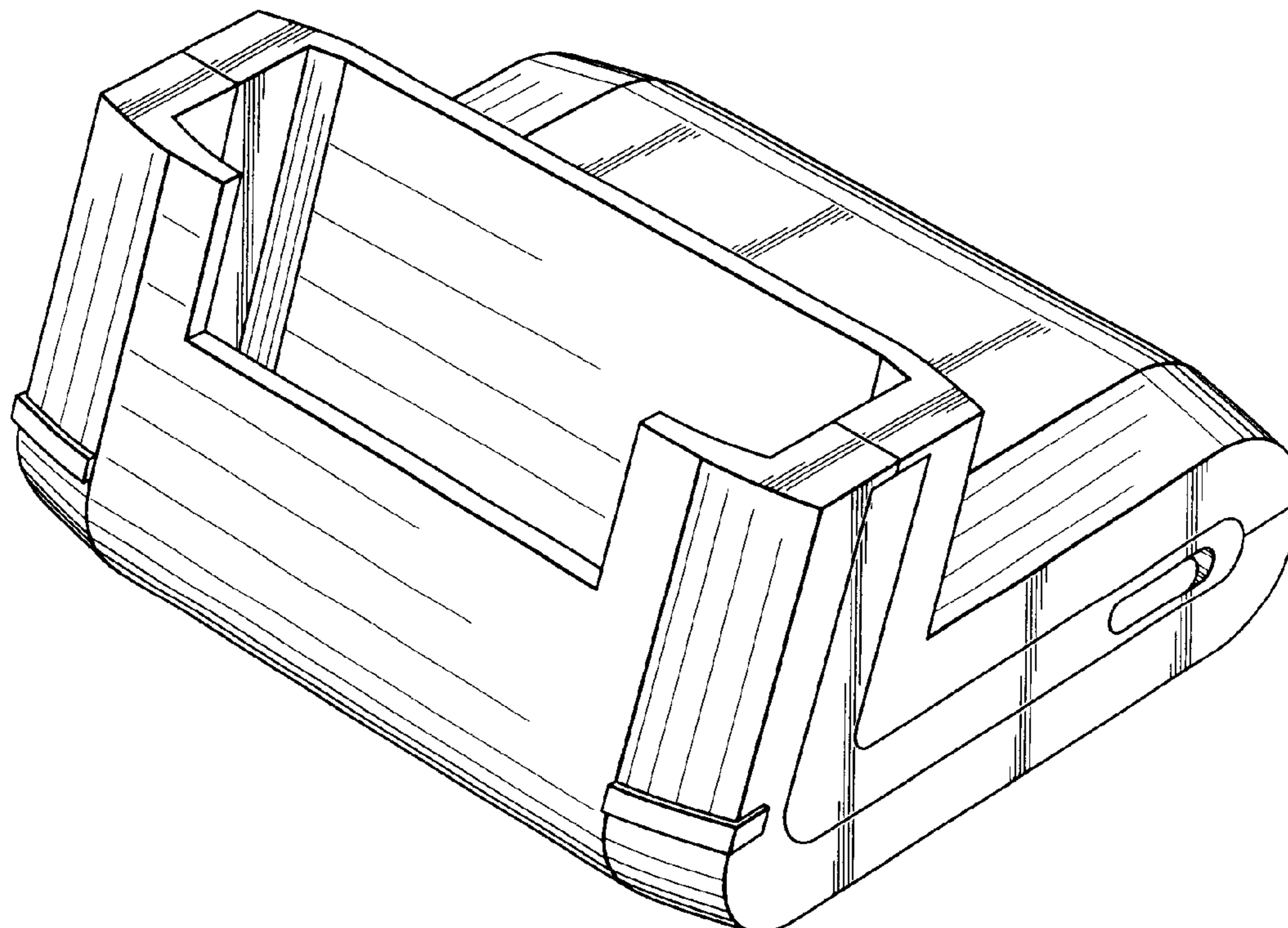


FIG. 1

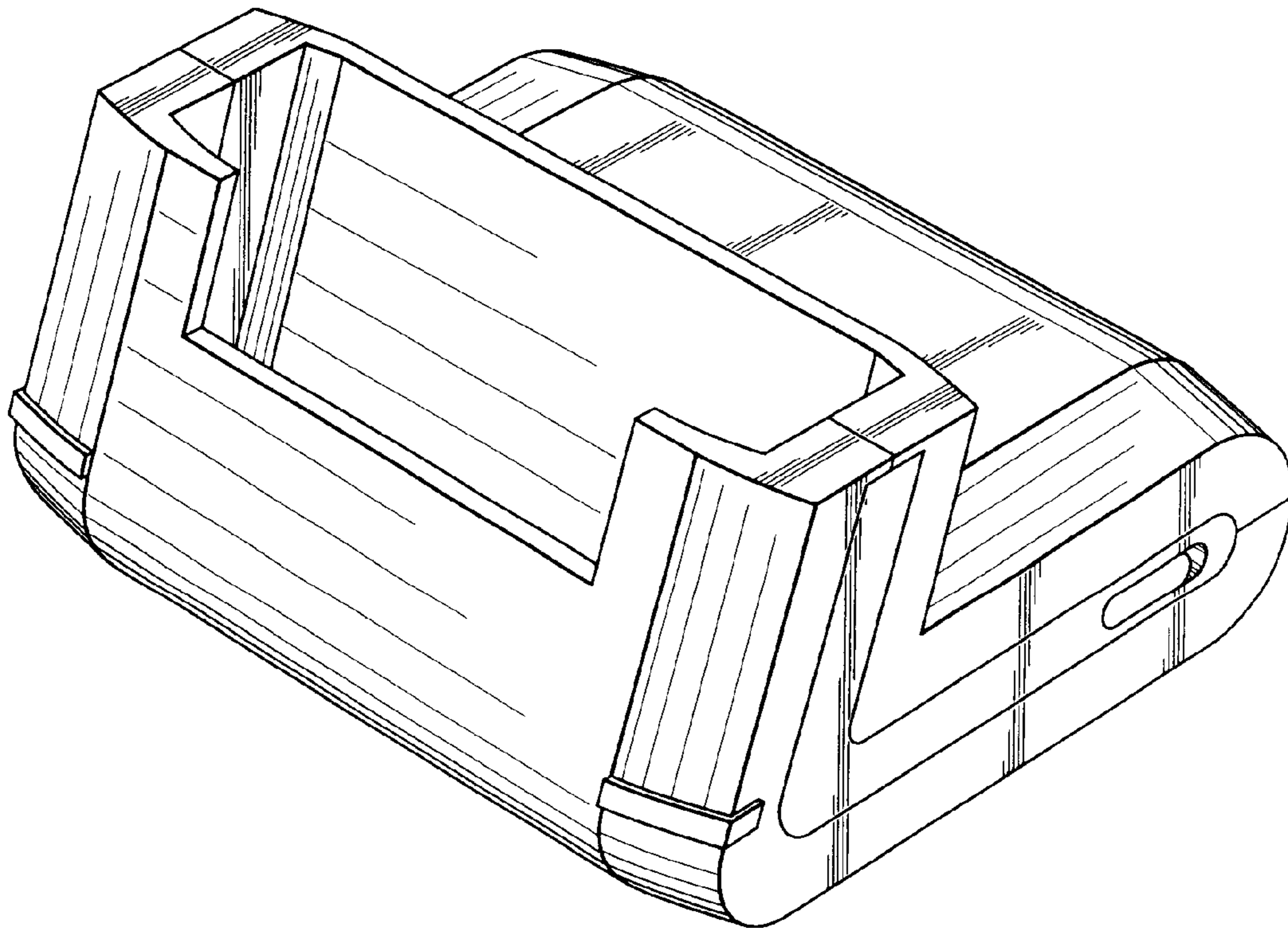


FIG. 2

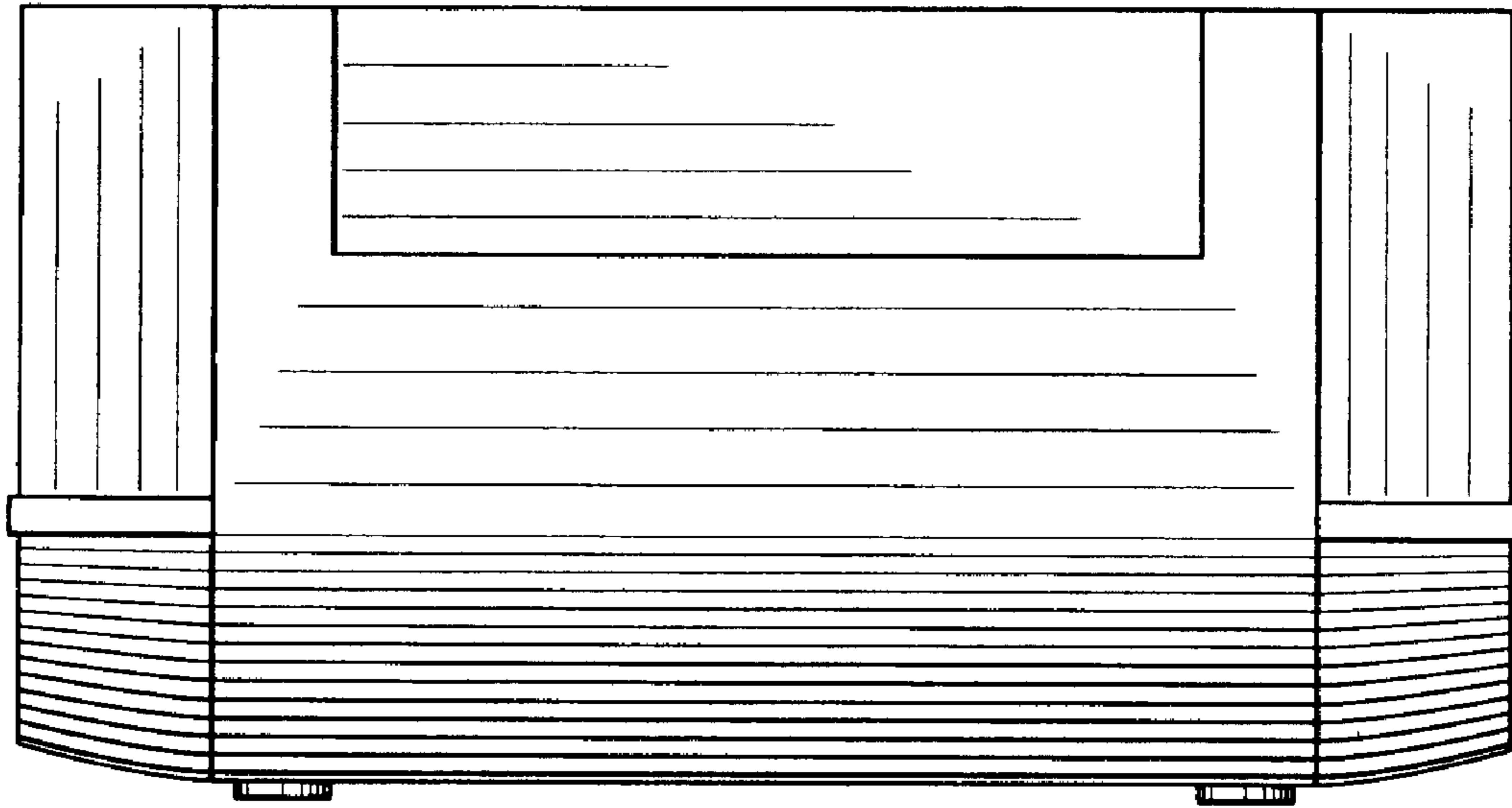


FIG. 3

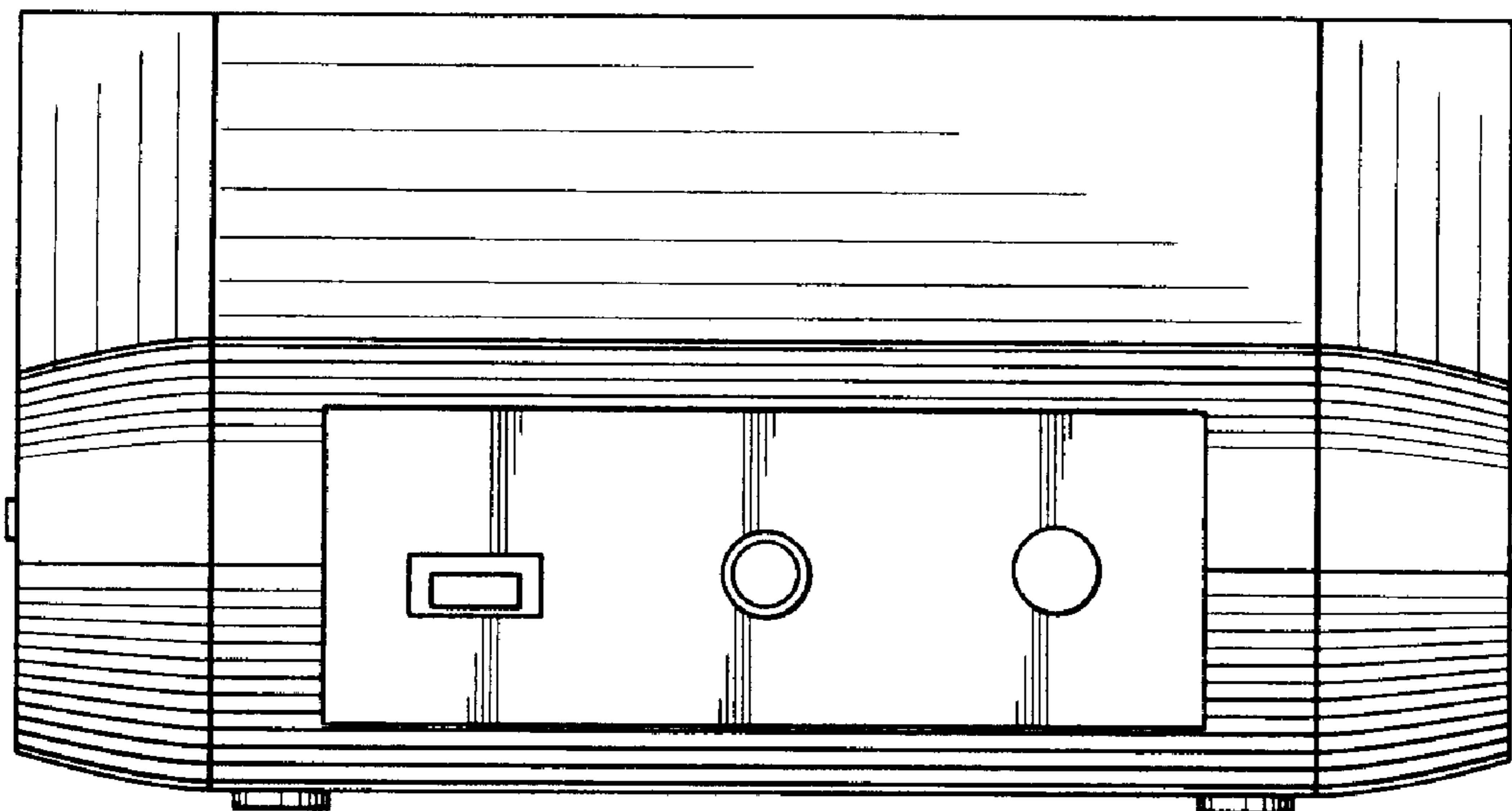


FIG. 4

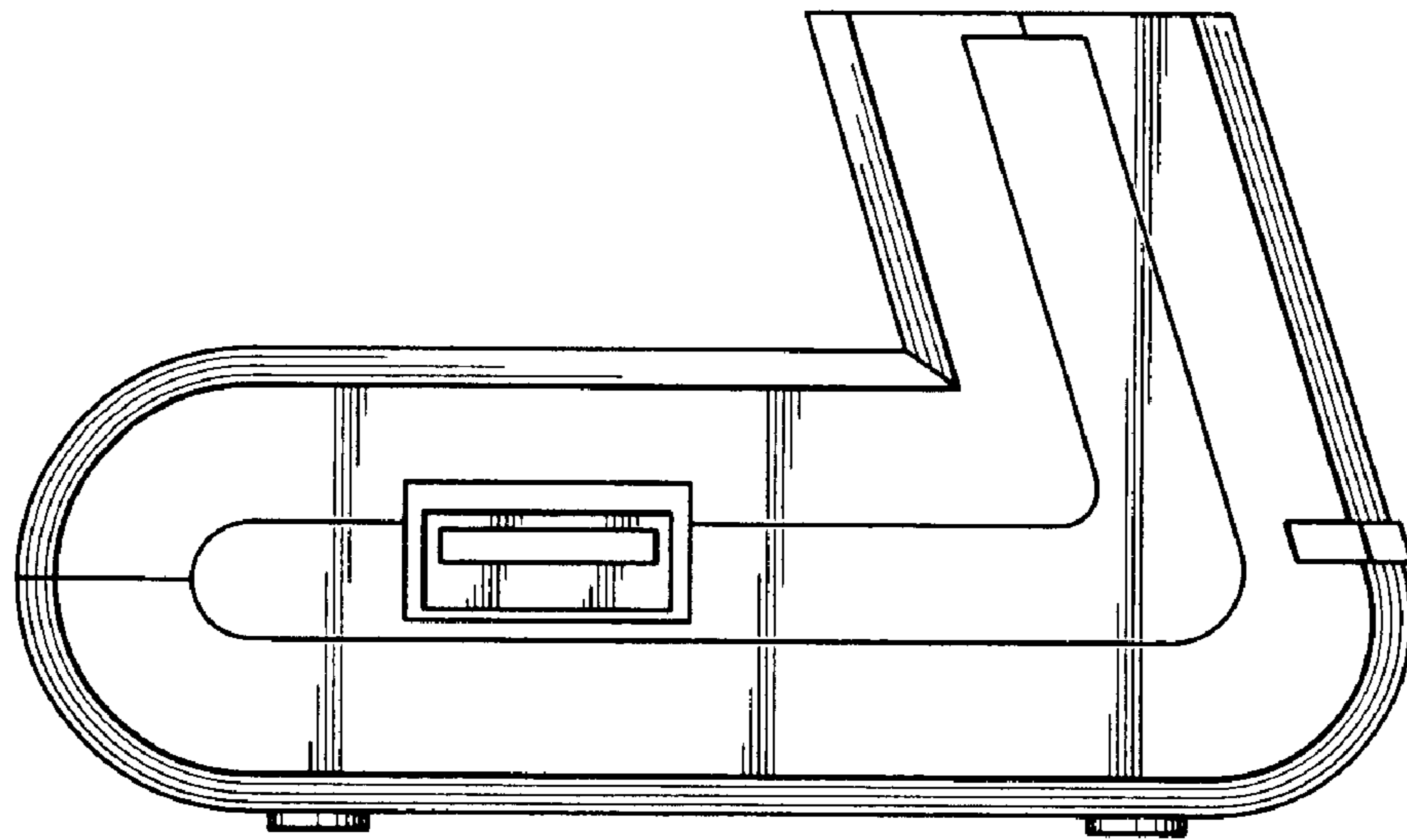


FIG. 5

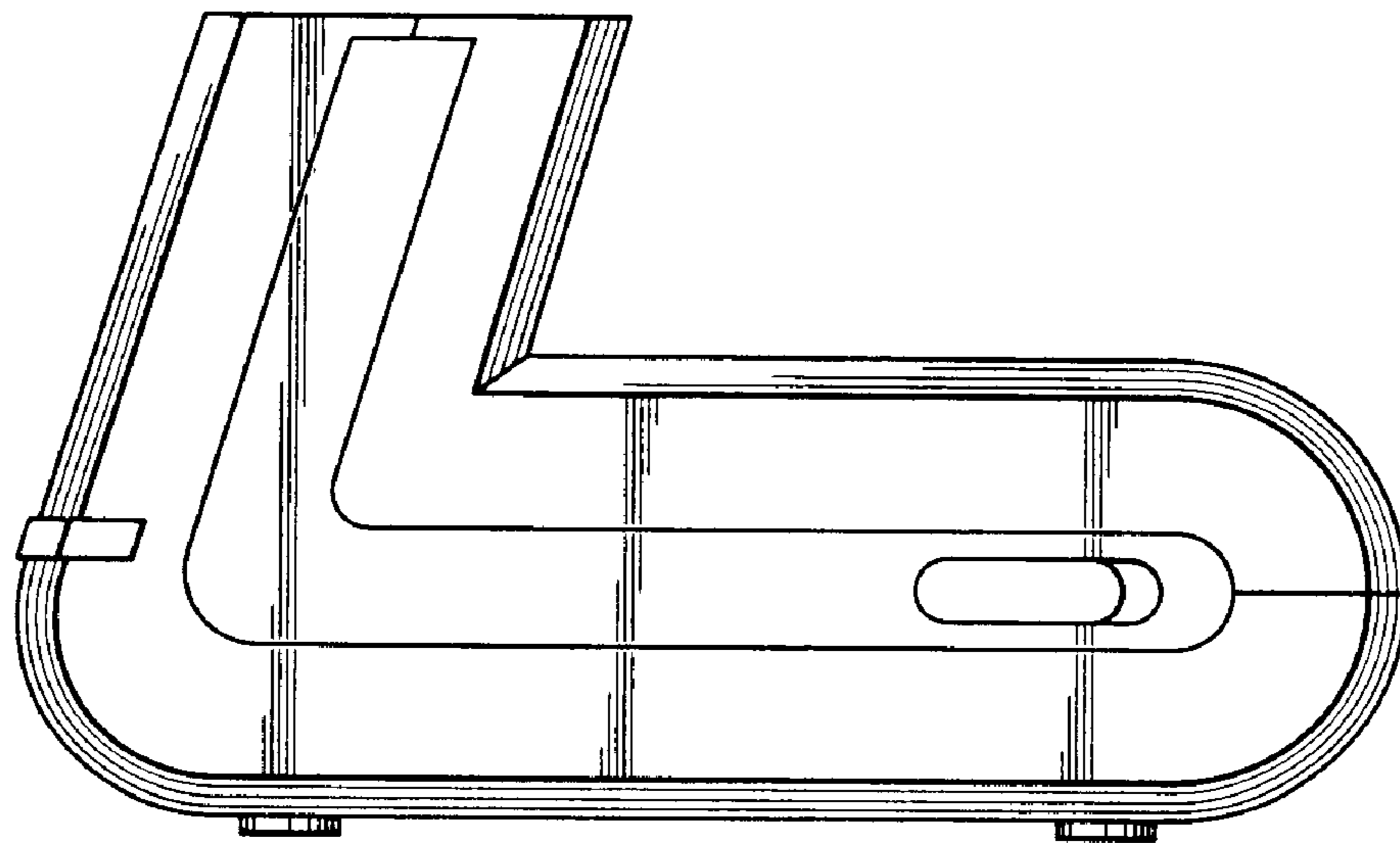


FIG. 6

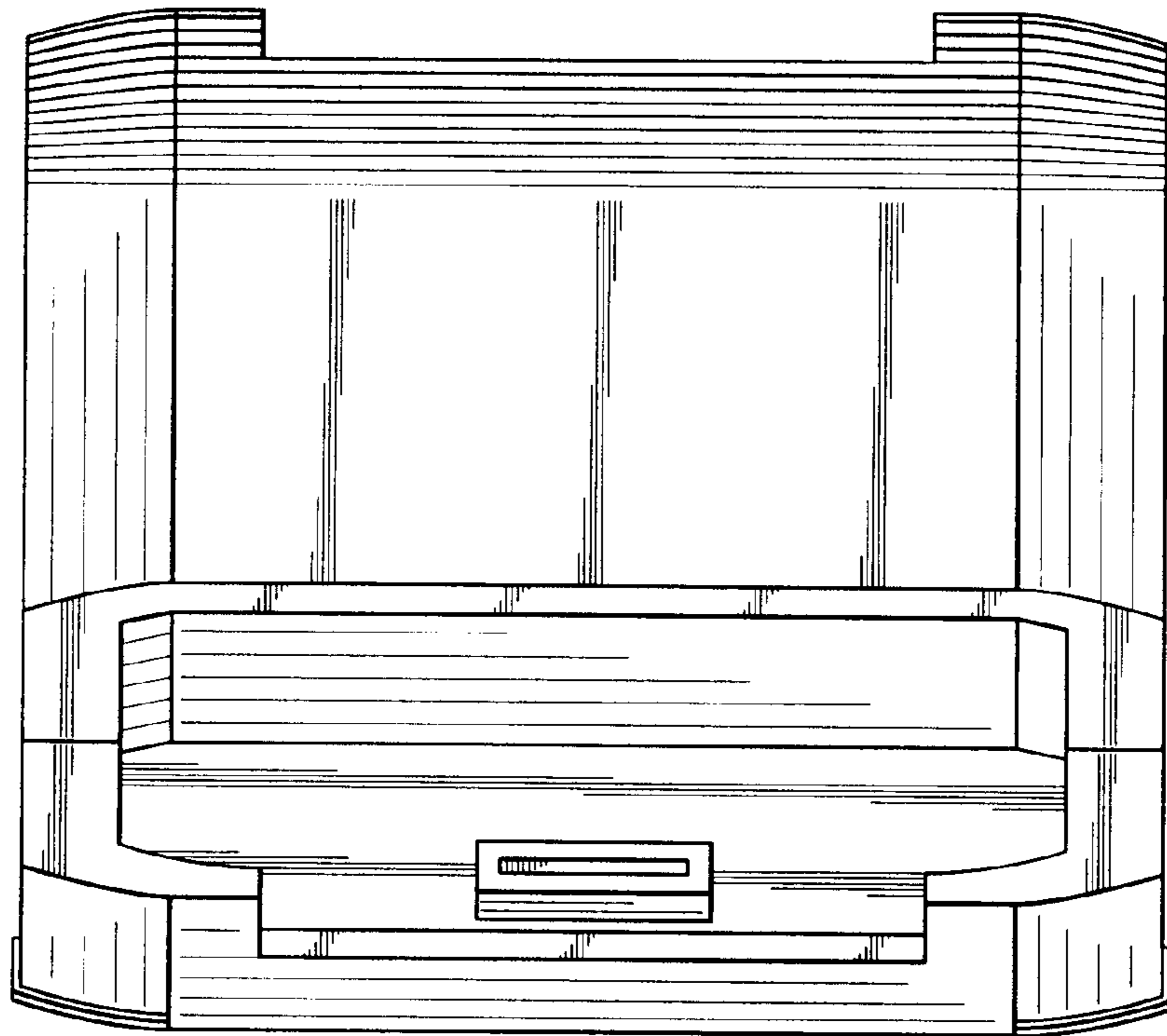


FIG. 7

