



US00D523842S

(12) **United States Design Patent**
Hussaini et al.

(10) **Patent No.:** **US D523,842 S**
(45) **Date of Patent:** **** Jun. 27, 2006**

- (54) **PORTABLE RADIO**
- (75) Inventors: **Saied Hussaini**, Miami, FL (US); **Marc Iacovelli**, Miami, FL (US)
- (73) Assignee: **Rally Manufacturing, Inc.**, Miami, FL (US)
- (**) Term: **14 Years**
- (21) Appl. No.: **29/229,327**
- (22) Filed: **May 6, 2005**
- (51) **LOC (8) Cl.** **14-03**
- (52) **U.S. Cl.** **D14/188**
- (58) **Field of Classification Search** D14/188, D14/204, 192-198, 216, 265, 137, 496; 455/347-351, 455/403, 3.06, 130; 369/1, 6-12
See application file for complete search history.

- 5,781,853 A * 7/1998 Johnson 455/351
- 5,895,016 A * 4/1999 Blackburn 248/27.1
- D451,084 S * 11/2001 Su D14/188
- D479,223 S * 9/2003 Furusho et al. D14/196
- D486,816 S * 2/2004 Nakajima et al. D14/169
- D495,012 S * 8/2004 Morimoto D14/188
- D500,487 S * 1/2005 Concari et al. D14/188

* cited by examiner

Primary Examiner—Prabhakar Deshmukh
(74) *Attorney, Agent, or Firm*—Berenato, White & Stavish LLC

(57) **CLAIM**

The ornamental design for a portable radio, as shown and described.

DESCRIPTION

FIG. 1 is a front, top and left perspective view of the portable radio according to the present invention.
FIG. 2 is a front view of the portable radio of FIG. 1.
FIG. 3 is a rear view of the portable radio of FIG. 1.
FIG. 4 is a left side view of the portable radio of FIG. 1.
FIG. 5 is a right view of the portable radio of FIG. 1.
FIG. 6 is a top view of the portable radio of FIG. 1; and,
FIG. 7 is a bottom view of the portable radio of FIG. 1.

1 Claim, 7 Drawing Sheets

(56) **References Cited**

U.S. PATENT DOCUMENTS

- 2,411,528 A * 11/1946 Dodington 174/52.1
- 2,560,320 A * 7/1951 Winkler 455/575.1
- D239,134 S * 3/1976 Kawamura et al. D14/195
- 5,146,618 A * 9/1992 Wenner 455/345
- D350,753 S * 9/1994 Oka D14/168

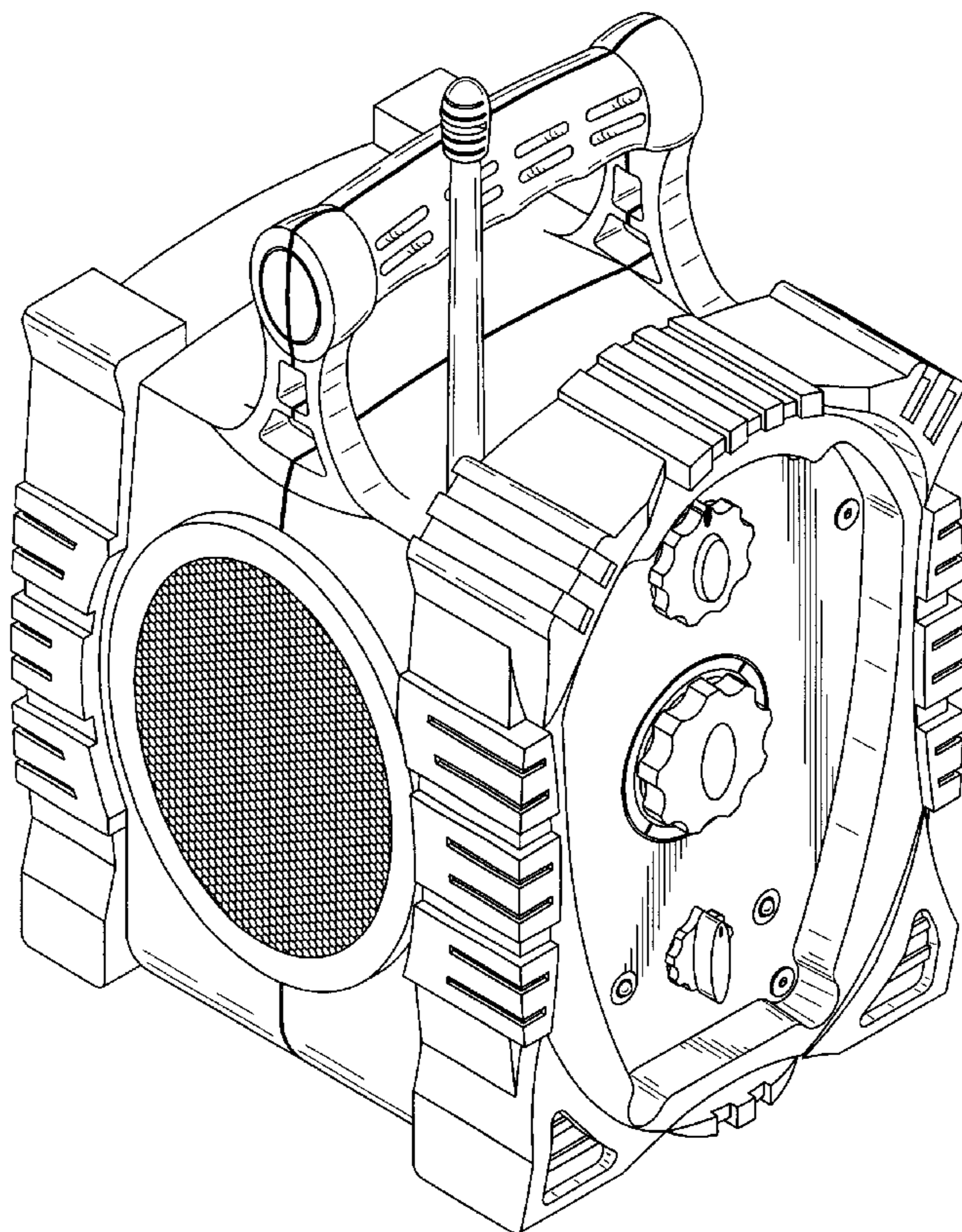


Fig. 1

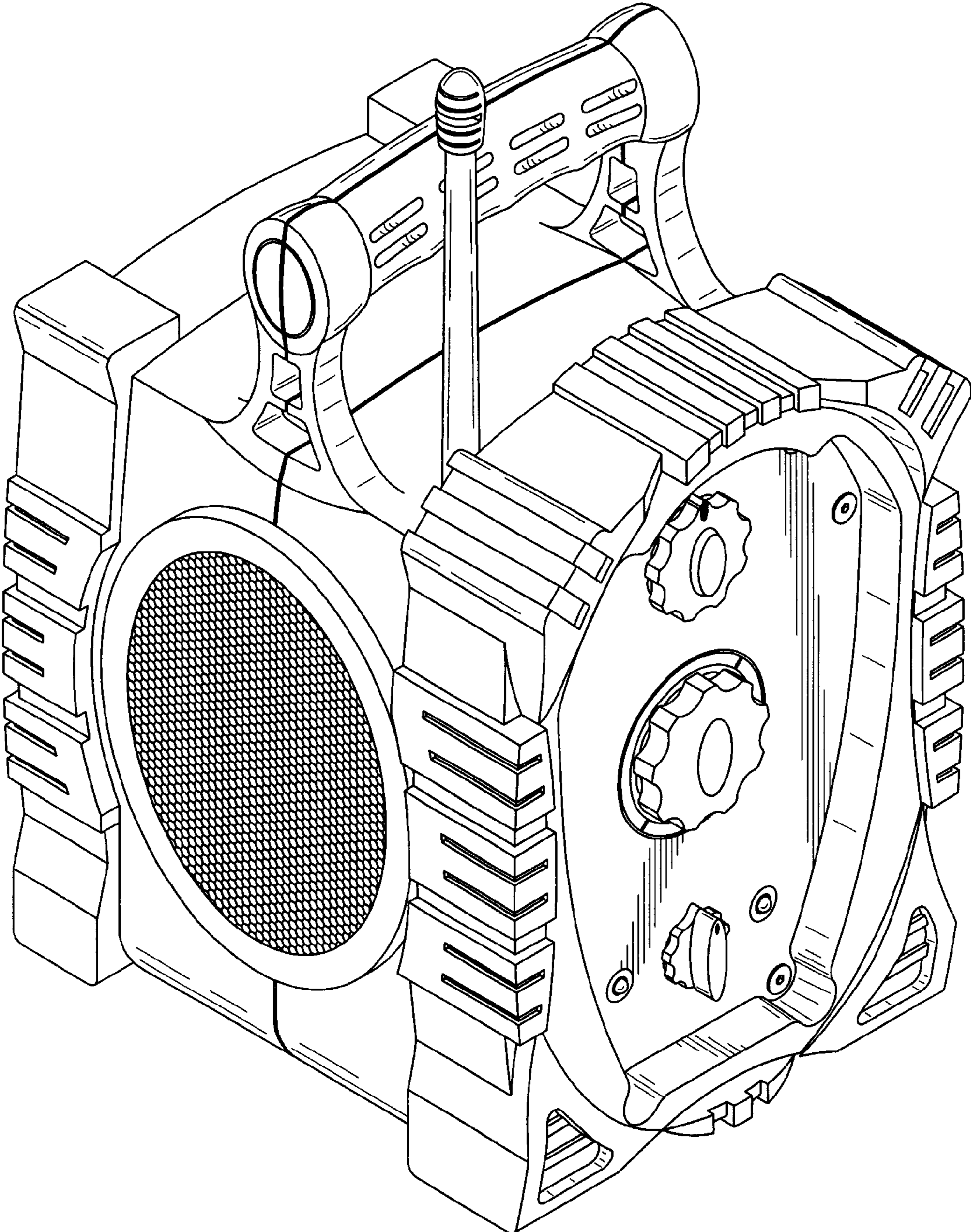


Fig. 2

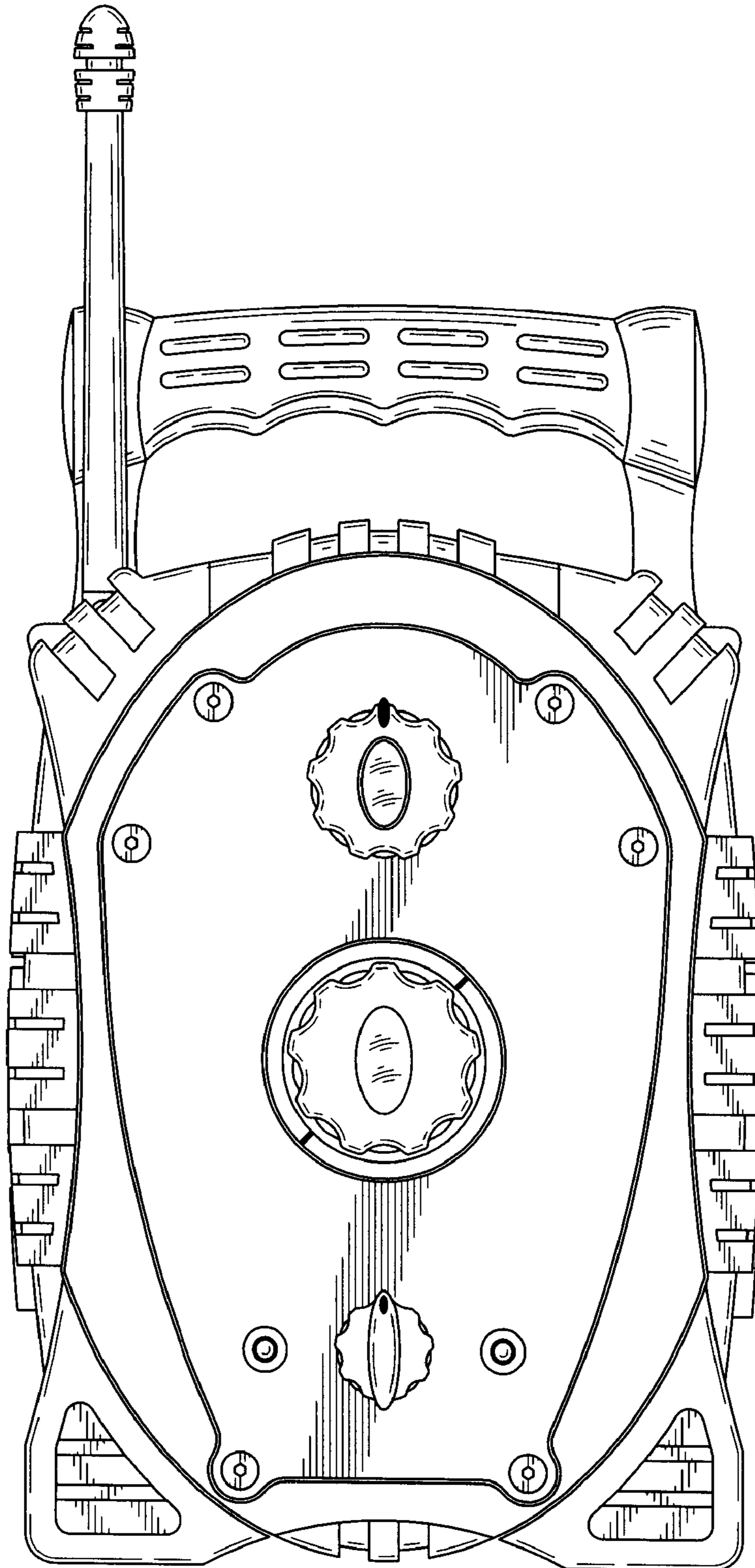


Fig. 3

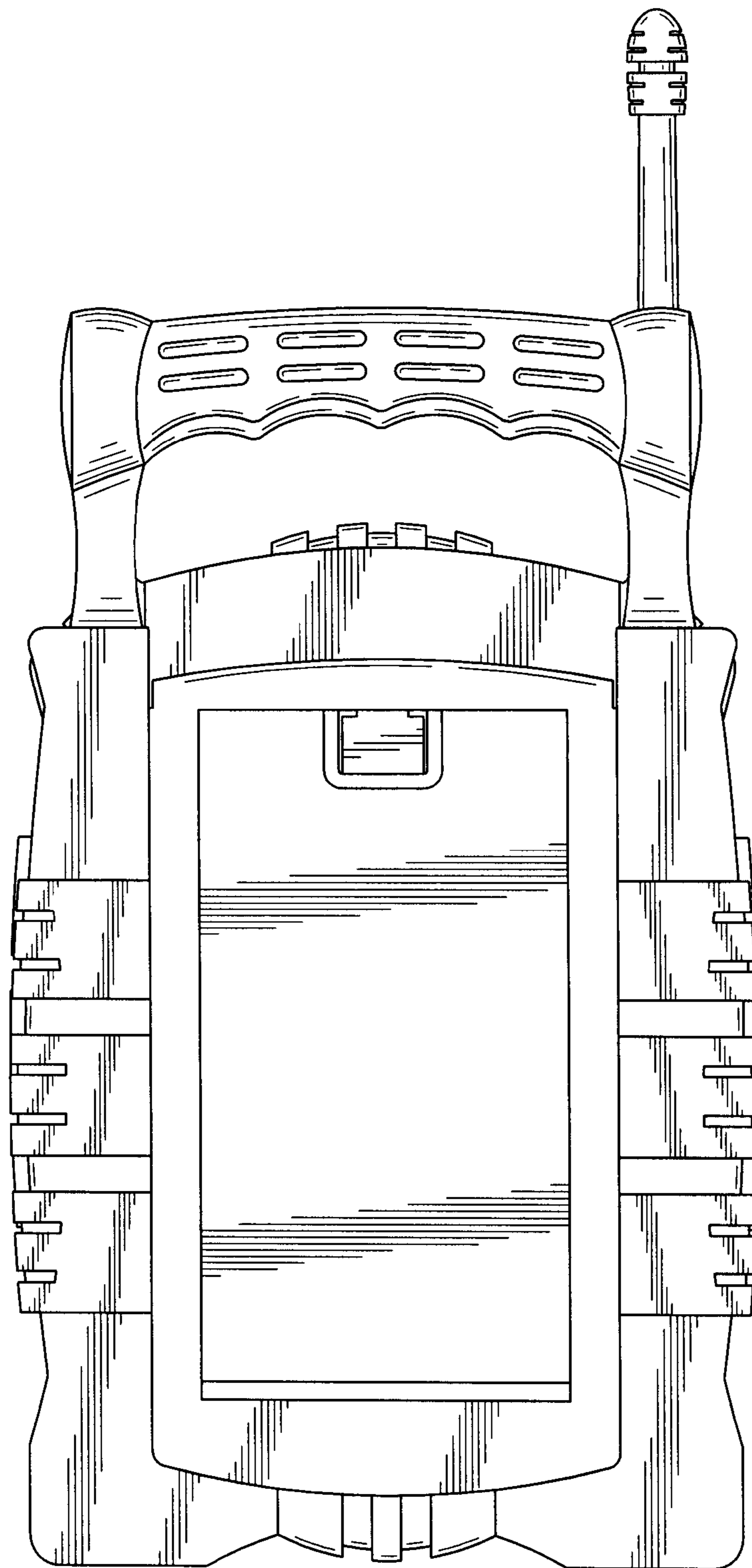


Fig. 4

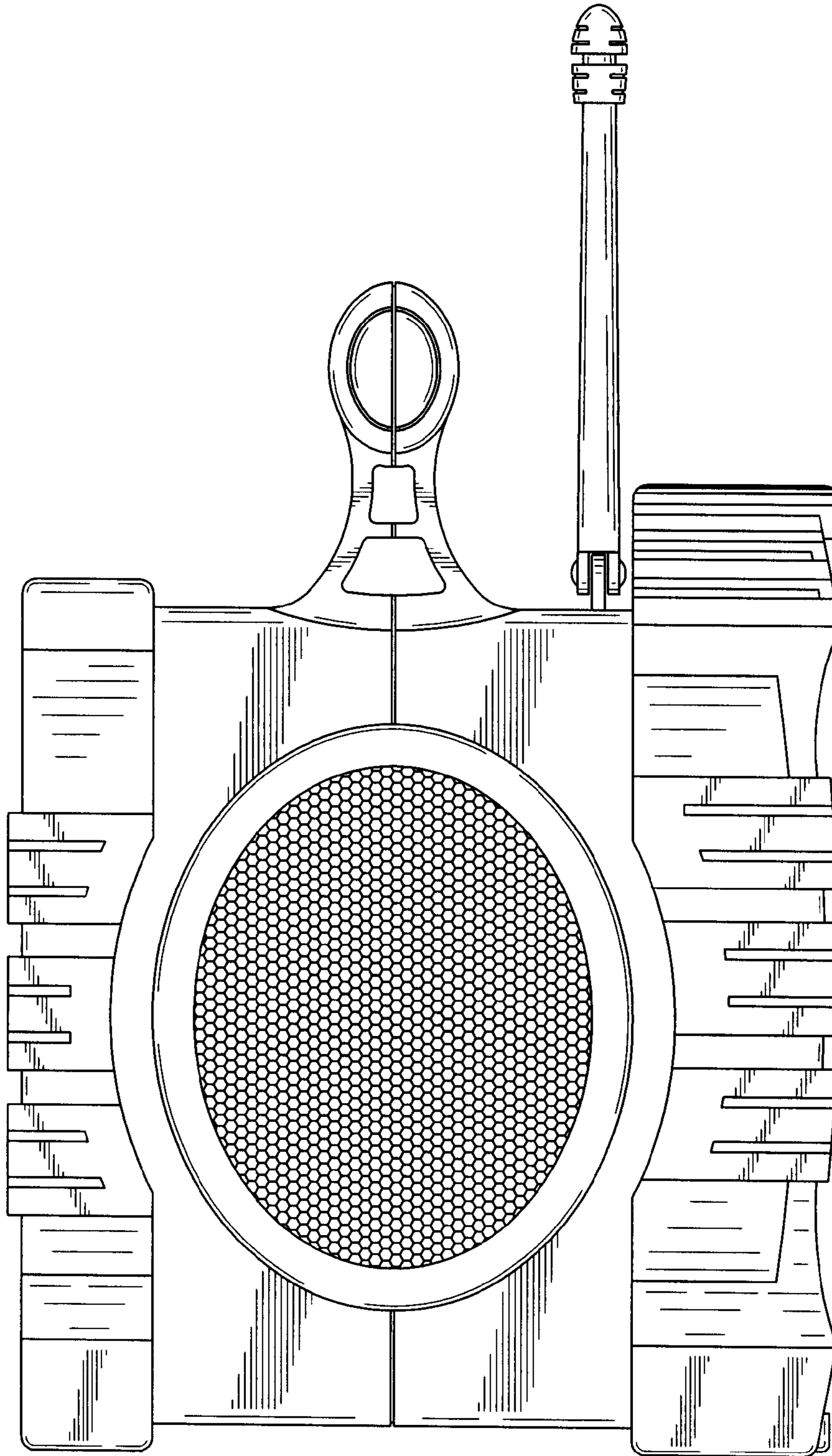


Fig. 5

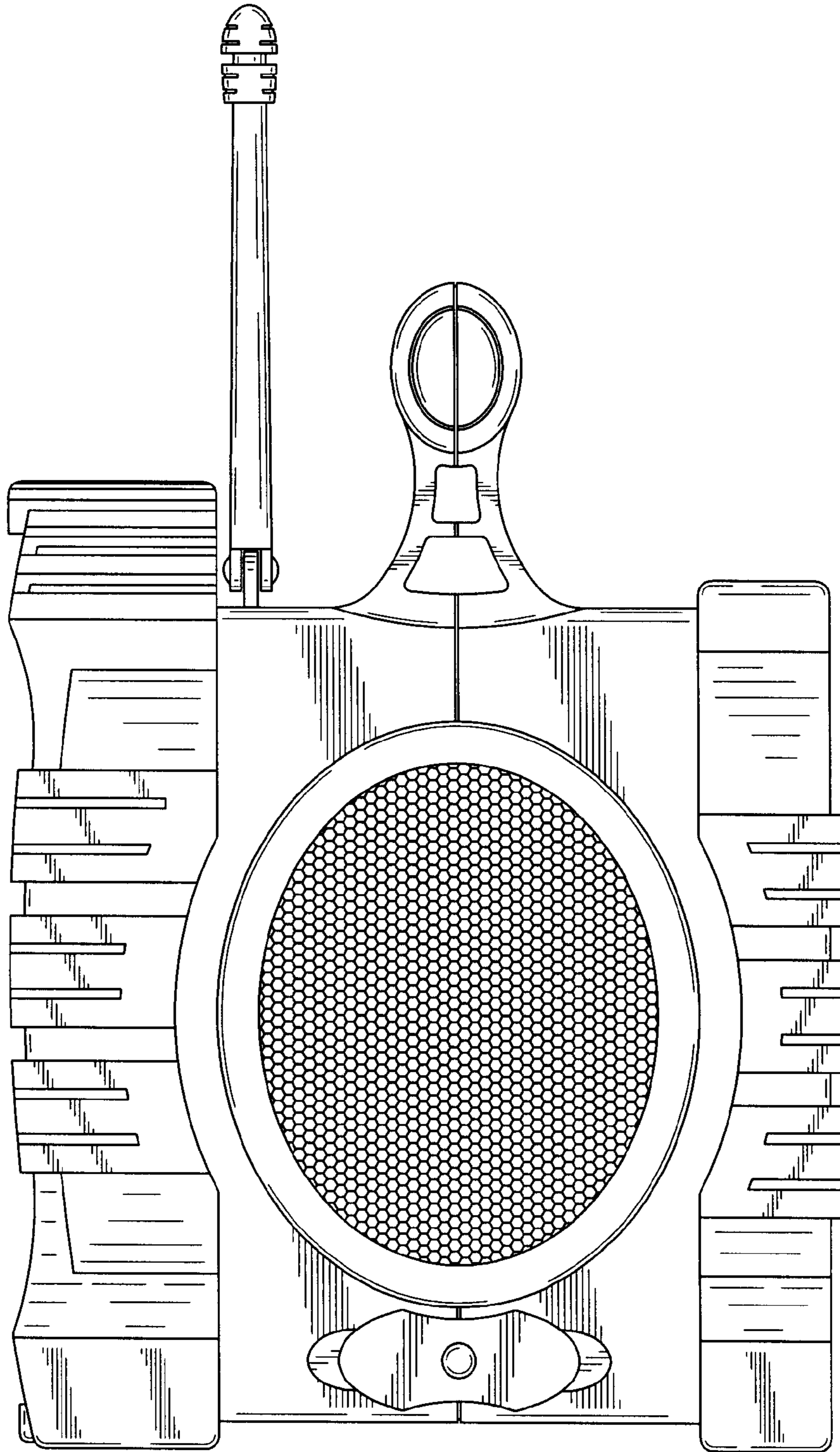


Fig. 6

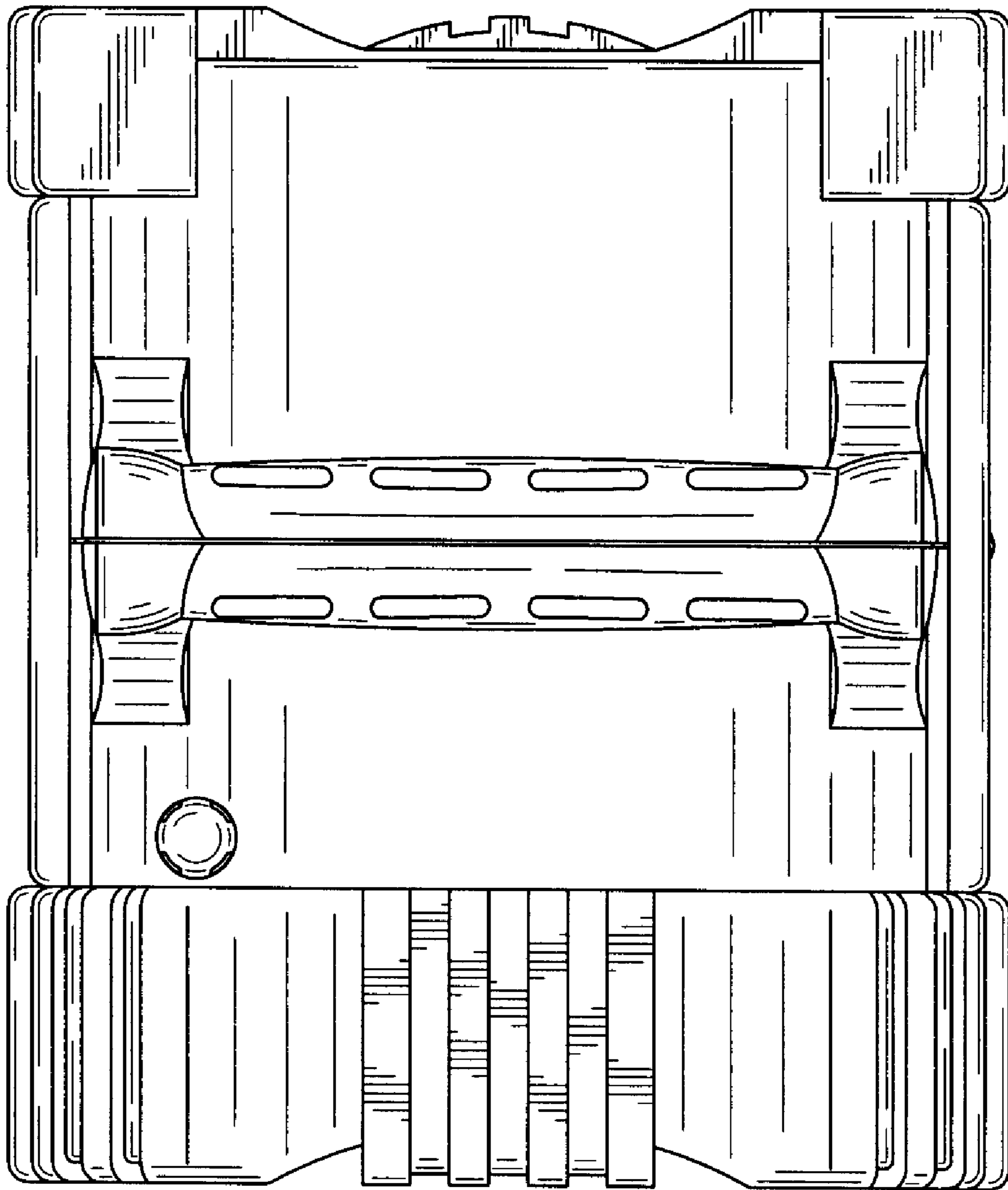


Fig. 7

