



US00D523841S

(12) **United States Design Patent**
Van Kastel

(10) **Patent No.:** **US D523,841 S**
(45) **Date of Patent:** **** Jun. 27, 2006**

(54) **AUDIO EQUIPMENT**

(76) **Inventor:** **Johannes Adrianus Cornelis Van Kastel**, Tholenstraat 14, Duiven (NL), NL-6922 DJ

(**) **Term:** **14 Years**

(21) **Appl. No.:** **29/227,941**

(22) **Filed:** **Apr. 19, 2005**

(51) **LOC (8) Cl.** **14-03**

(52) **U.S. Cl.** **D14/188**

(58) **Field of Classification Search** D14/188,
D14/192, 194, 197, 204, 219, 265; 455/344-351;
369/6-12

See application file for complete search history.

(56) **References Cited**

U.S. PATENT DOCUMENTS

- D99,148 S * 3/1936 Vandenbraak D14/194
- D144,863 S * 5/1946 Martial et al. D14/194
- D147,316 S * 8/1947 Bingman D14/188
- 2,443,745 A * 6/1948 Montgomery 116/262

- 4,310,923 A * 1/1982 Kennedy 455/79
- 4,676,619 A * 6/1987 Woolley 396/432
- D319,060 S * 8/1991 Rashak D14/195
- D325,905 S * 5/1992 Tani D14/135
- 5,883,859 A * 3/1999 Bentley 368/10
- D459,336 S * 6/2002 Ito et al. D14/168

* cited by examiner

Primary Examiner—Prabhakar Deshmukh

(57) **CLAIM**

The ornamental design for an audio equipment, as shown.

DESCRIPTION

FIG. 1 is a perspective view of audio equipment showing my design;

FIG. 2 is a front view thereof;

FIG. 3 is a right side view thereof;

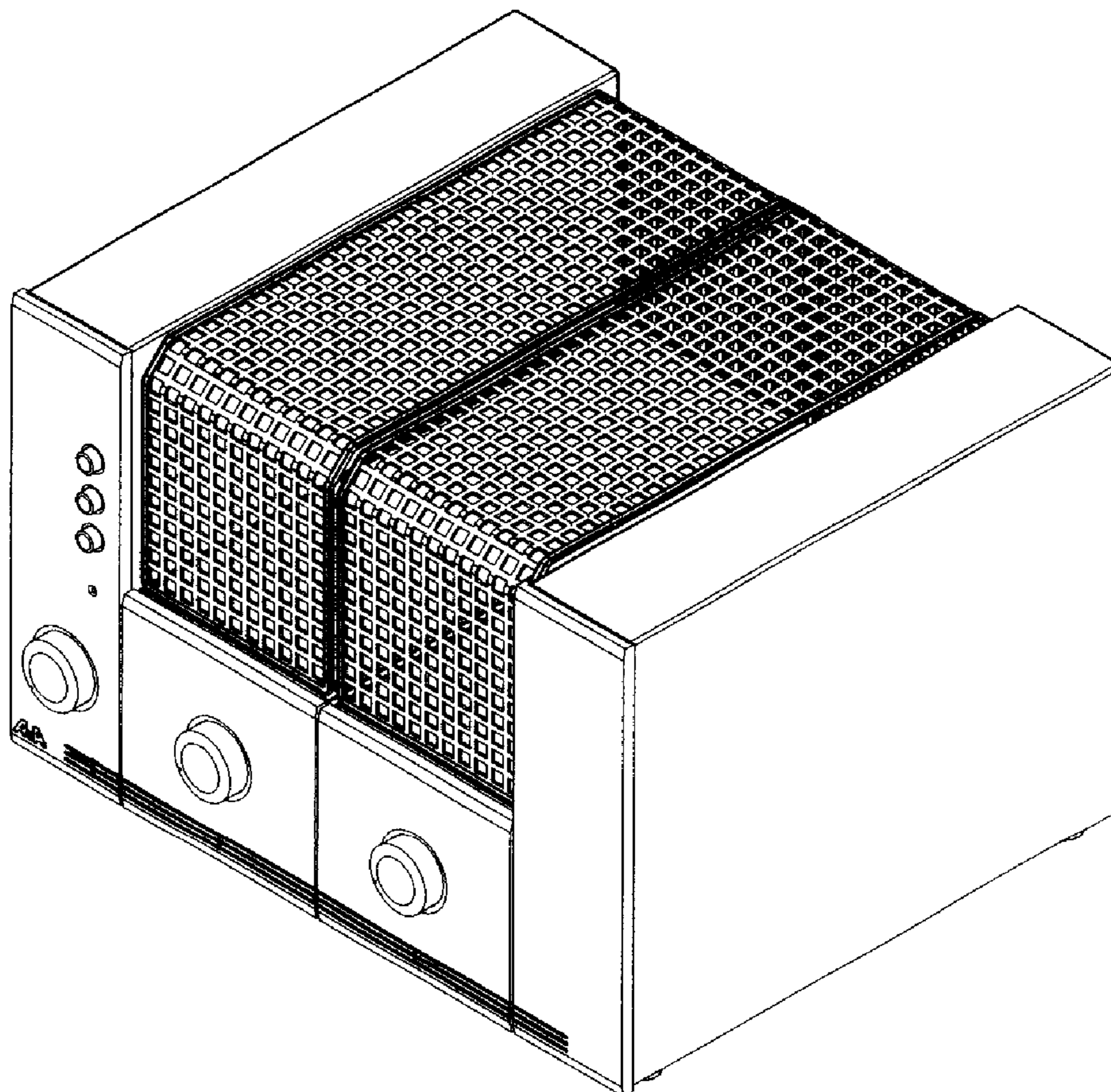
FIG. 4 is a rear view thereof;

FIG. 5 is a top view thereof;

FIG. 6 is a left side view thereof; and,

FIG. 7 is a bottom view thereof.

1 Claim, 7 Drawing Sheets



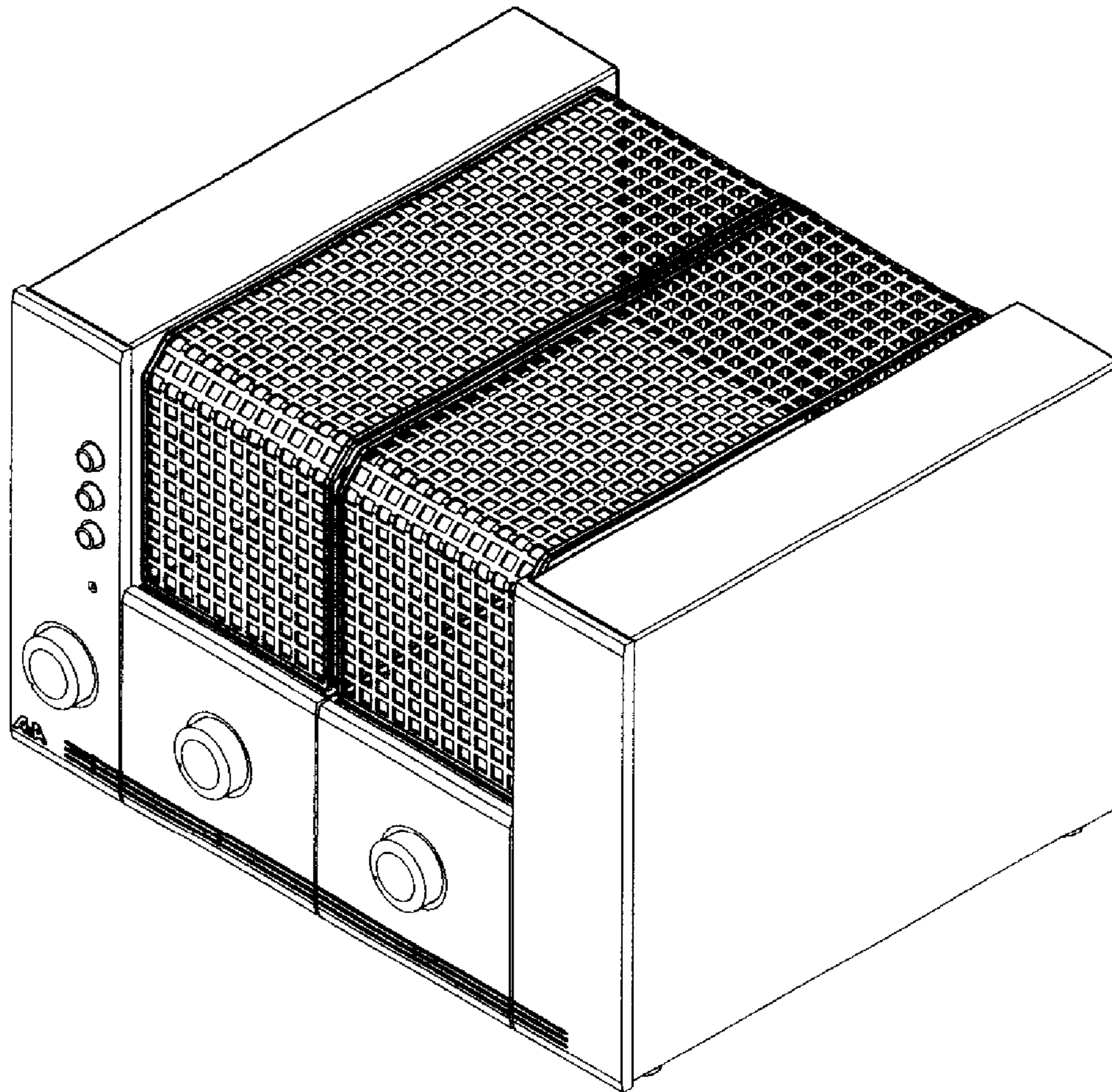


FIG. 1

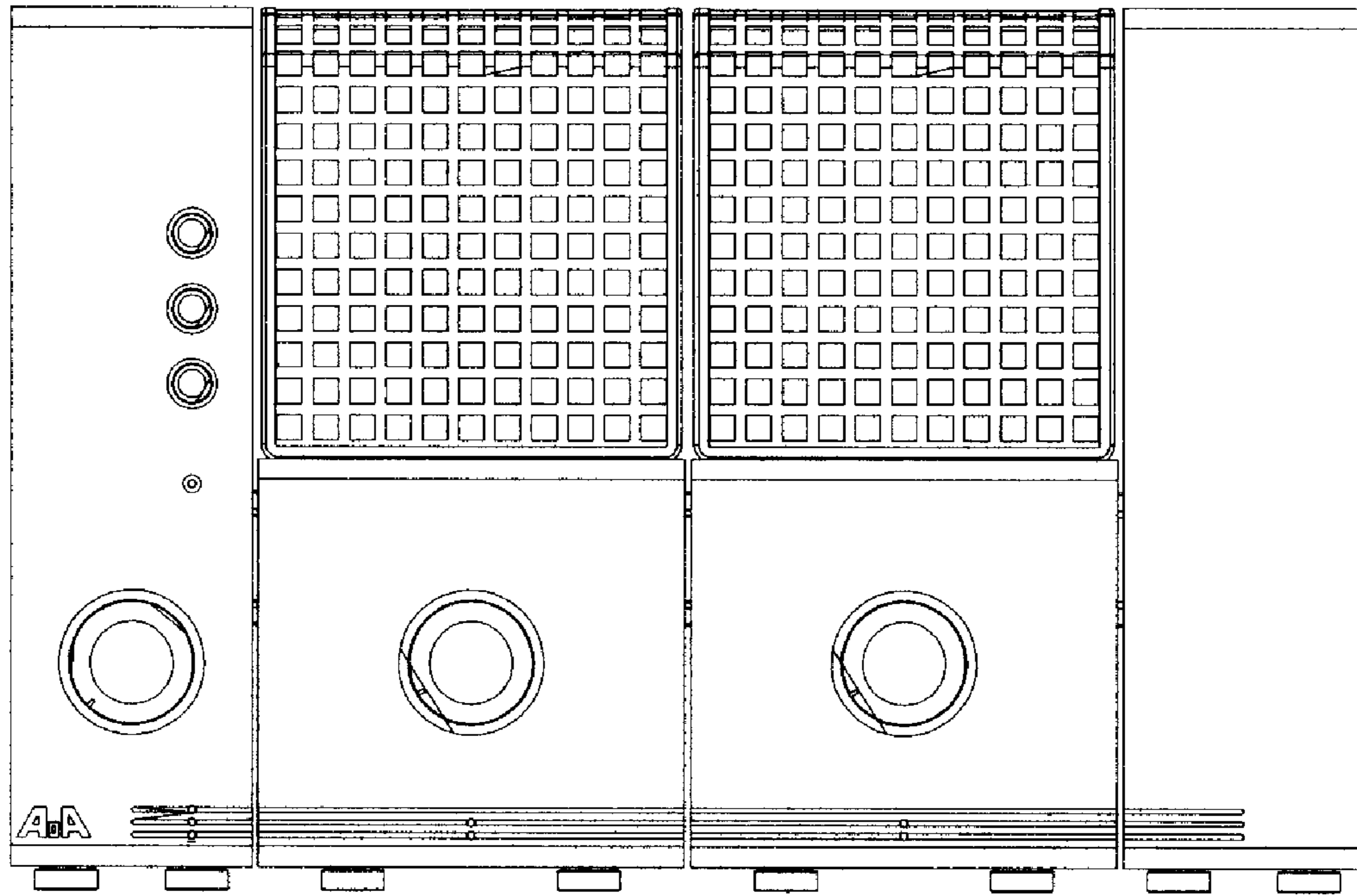


FIG. 2

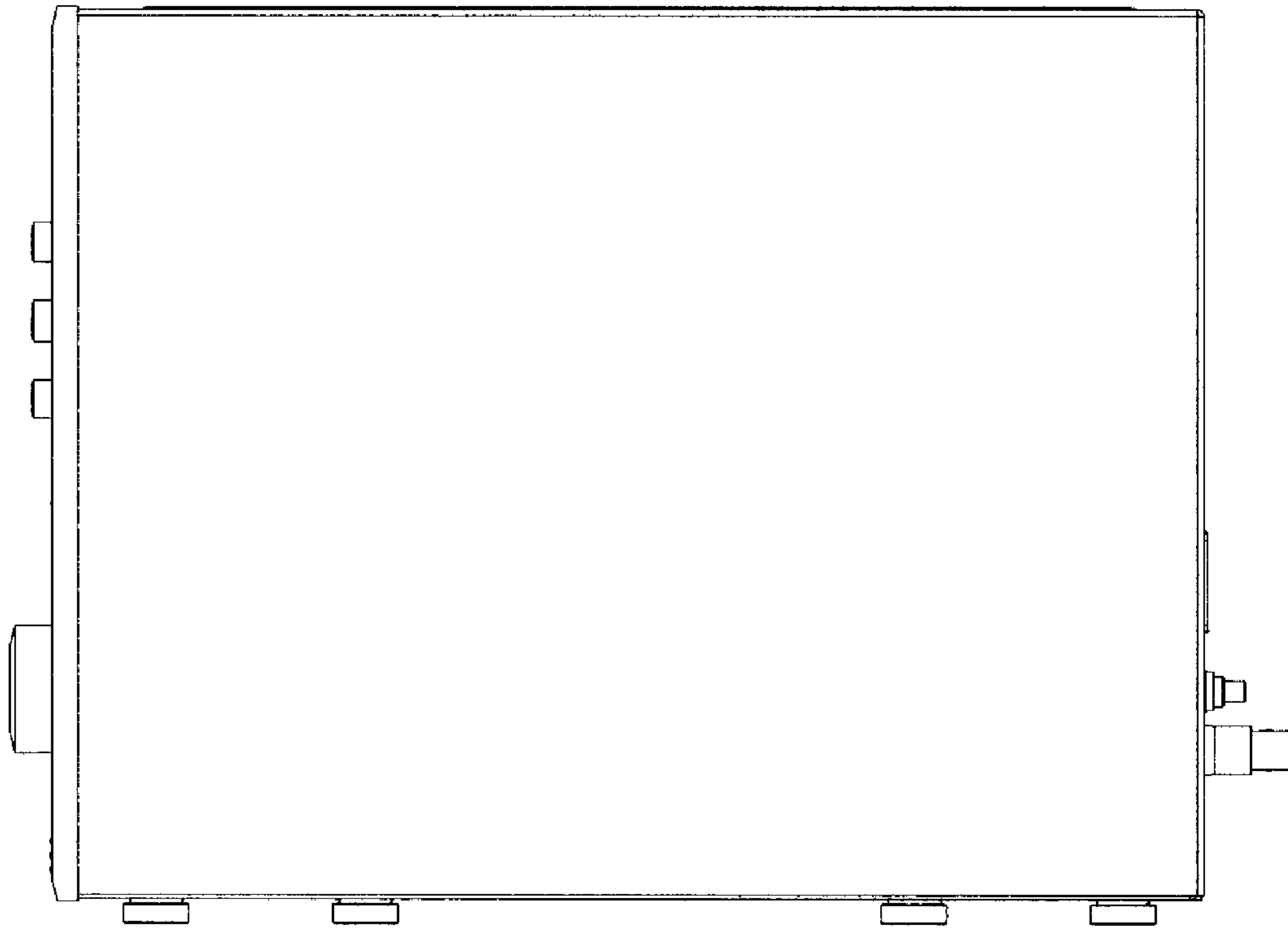


FIG. 3

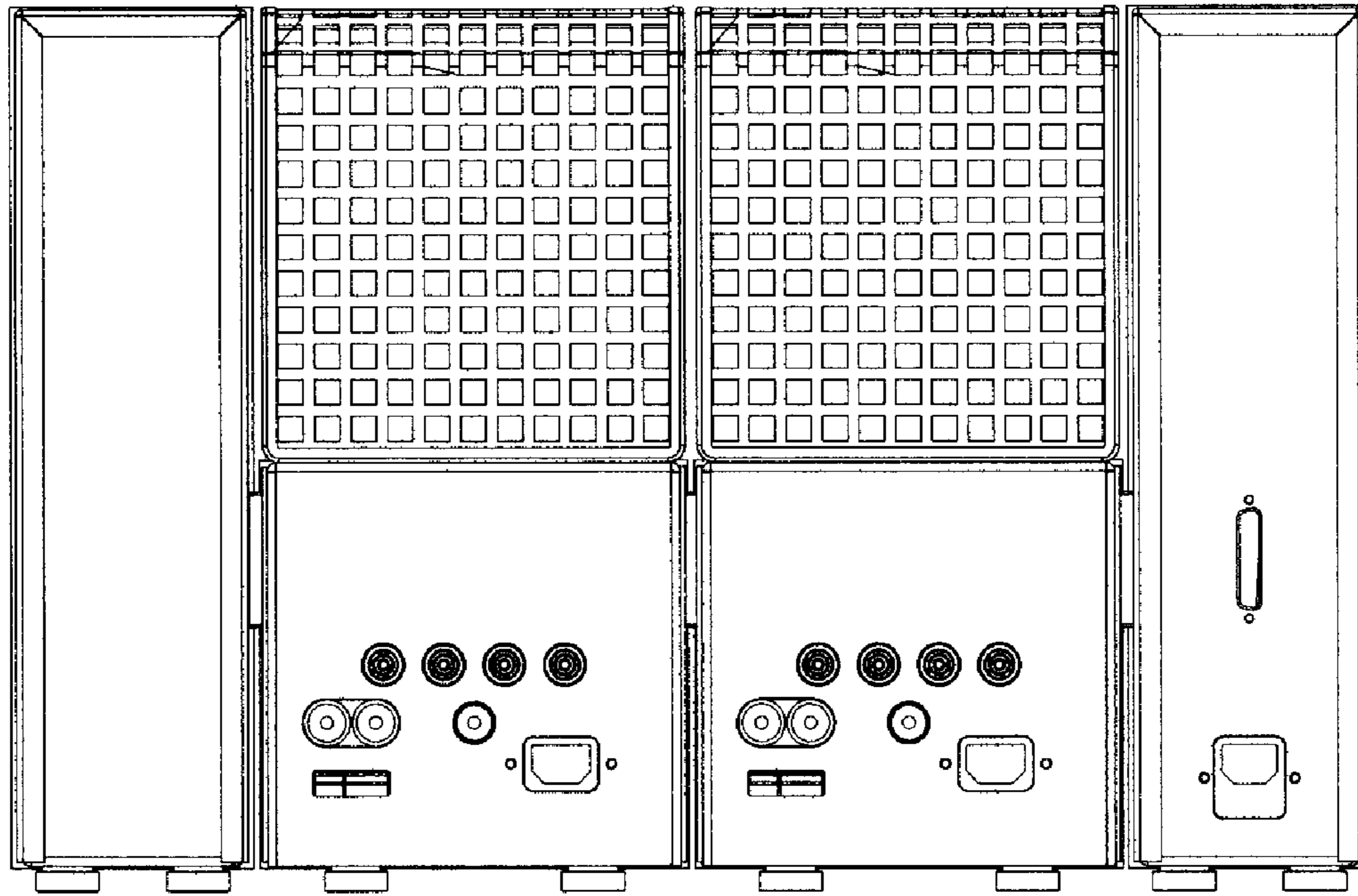


FIG. 4

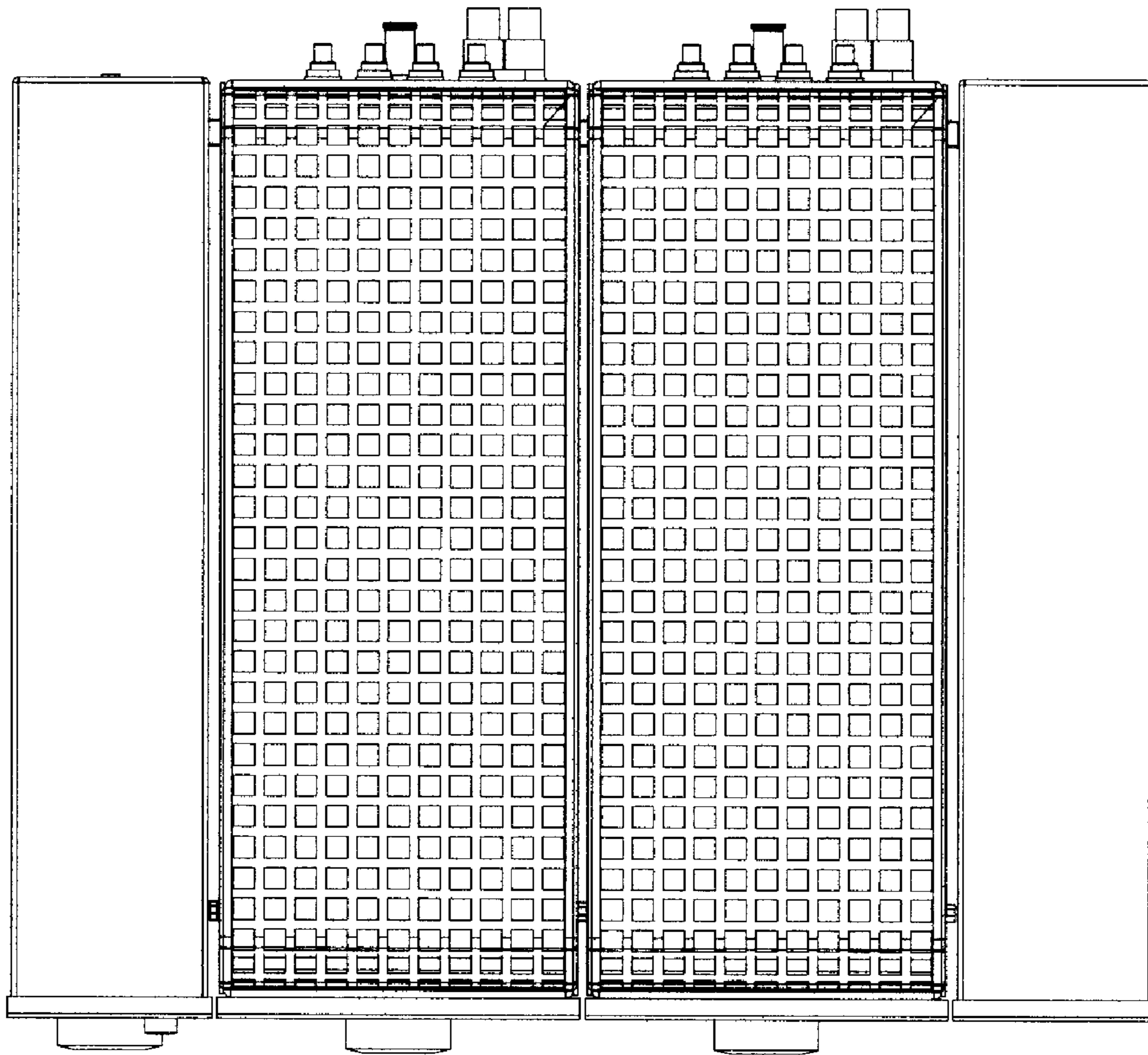


FIG. 5

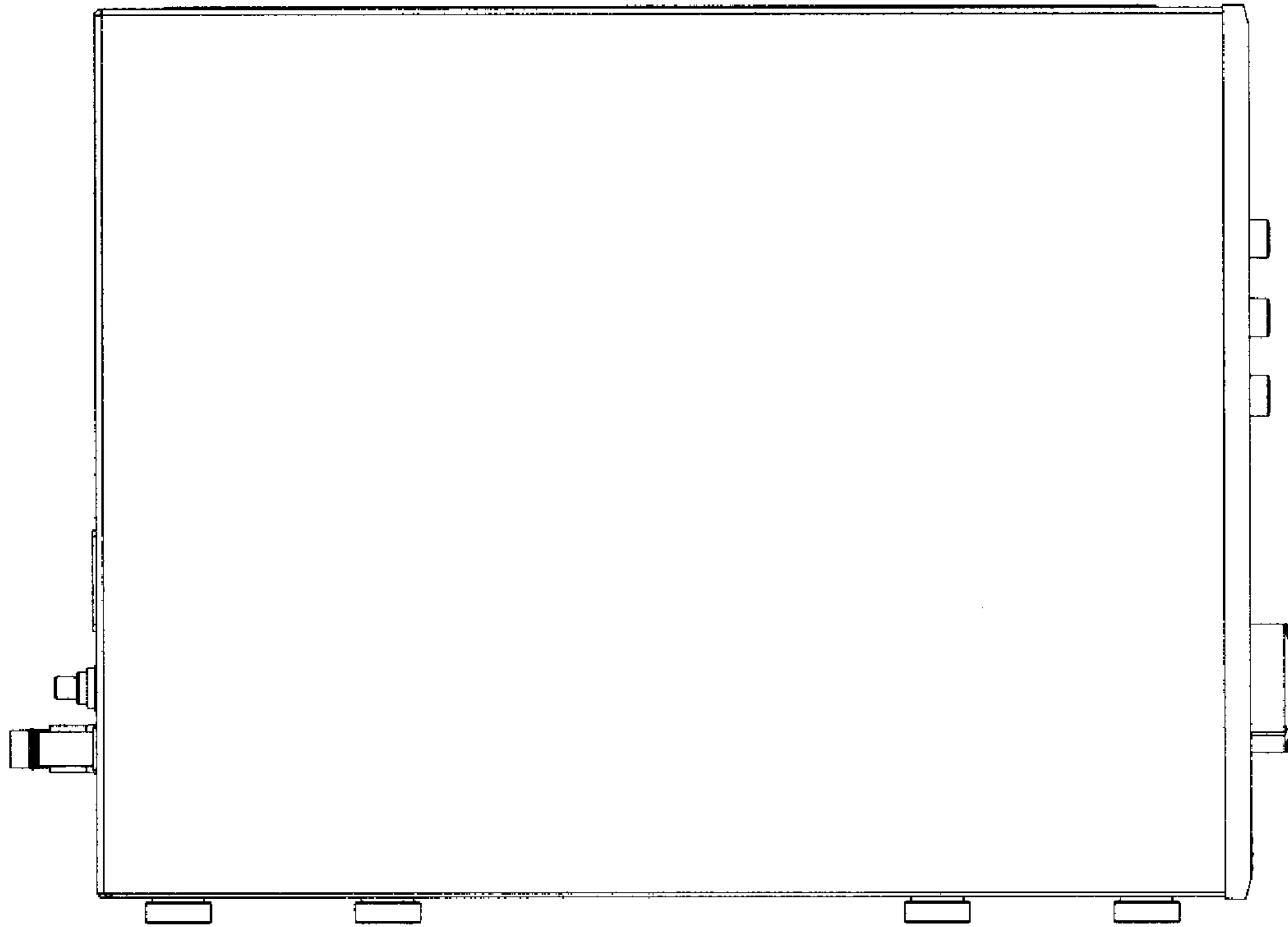


FIG. 6

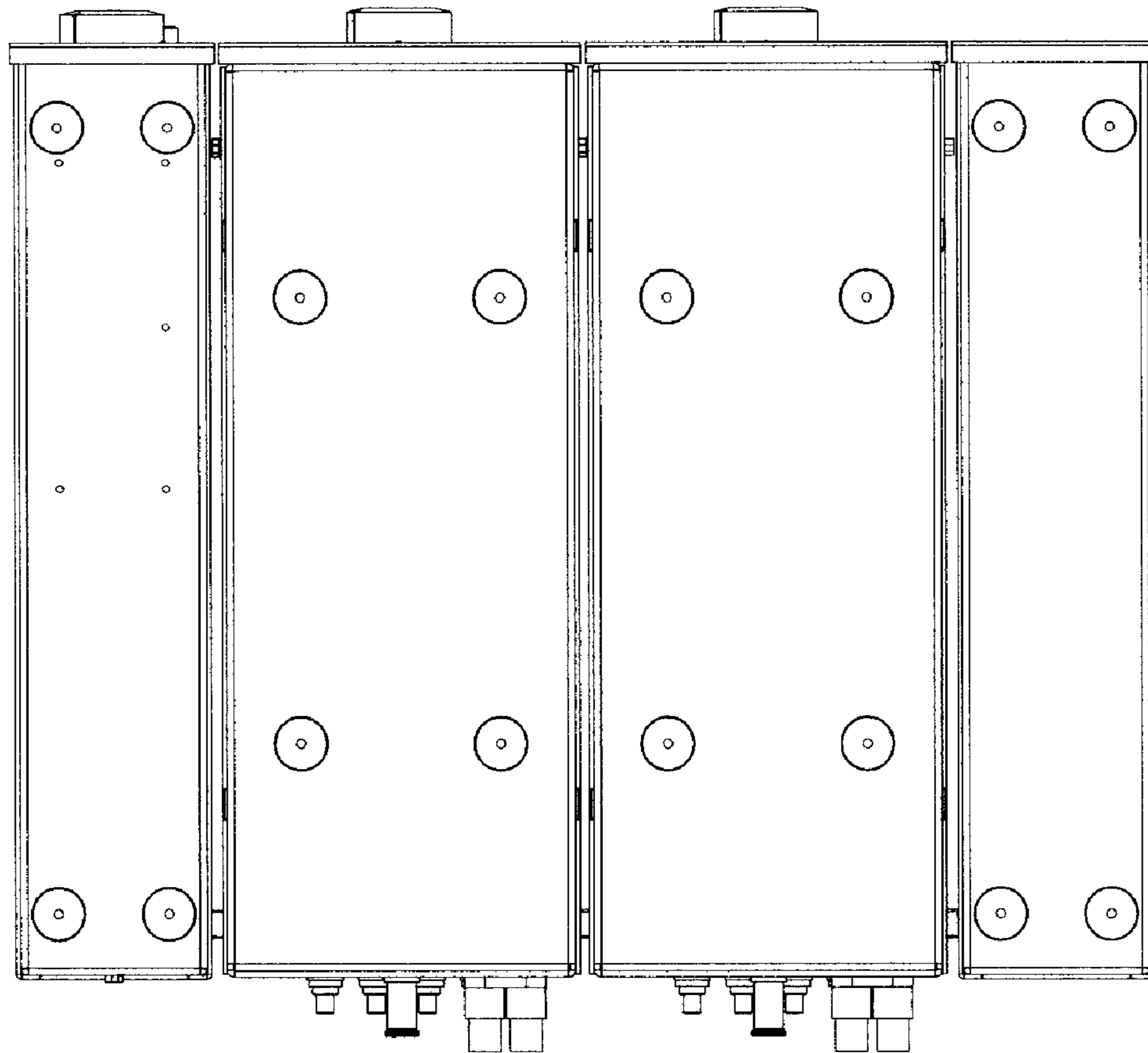


FIG. 7