



US00D523838S

(12) **United States Design Patent**
Lee

(10) **Patent No.:** **US D523,838 S**
(45) **Date of Patent:** **** Jun. 27, 2006**

(54) **RADIO WITH ALARM CLOCK,
FLASHLIGHT AND READING LAMP**

D389,482 S * 1/1998 Kokkinis D14/198
D430,138 S * 8/2000 Ben-Moshe D14/196
D452,228 S * 12/2001 Tanaka D14/196

(75) Inventor: **Kenneth Lee**, New Territories (CN)

* cited by examiner

(73) Assignee: **Ten Forward Limited**, Kwai Chung (CN)

Primary Examiner—Nanda Bondade
(74) *Attorney, Agent, or Firm*—Alix, Yale & Ristas, LLP

(**) Term: **14 Years**

(57) **CLAIM**

(21) Appl. No.: **29/222,132**

The ornamental design for a radio with alarm clock, flashlight and reading lamp, as shown and described.

(22) Filed: **Jan. 25, 2005**

DESCRIPTION

(30) **Foreign Application Priority Data**

Jul. 27, 2004 (HK) 0411643

FIG. 1 is a front elevational view of a radio with alarm clock, flashlight and reading lamp showing my new design;
FIG. 2 is a rear elevational view thereof;
FIG. 3 is a left side elevational view thereof;
FIG. 4 is a right side elevational view thereof;
FIG. 5 is a top plan view thereof;
FIG. 6 is a bottom plan view thereof;
FIG. 7 is a front elevational view with parts in alternative position thereof; and,
FIG. 8 is a rear elevational view with parts in alternative position thereof.

(51) **LOC (8) Cl.** **14-01**

(52) **U.S. Cl.** **D14/168**

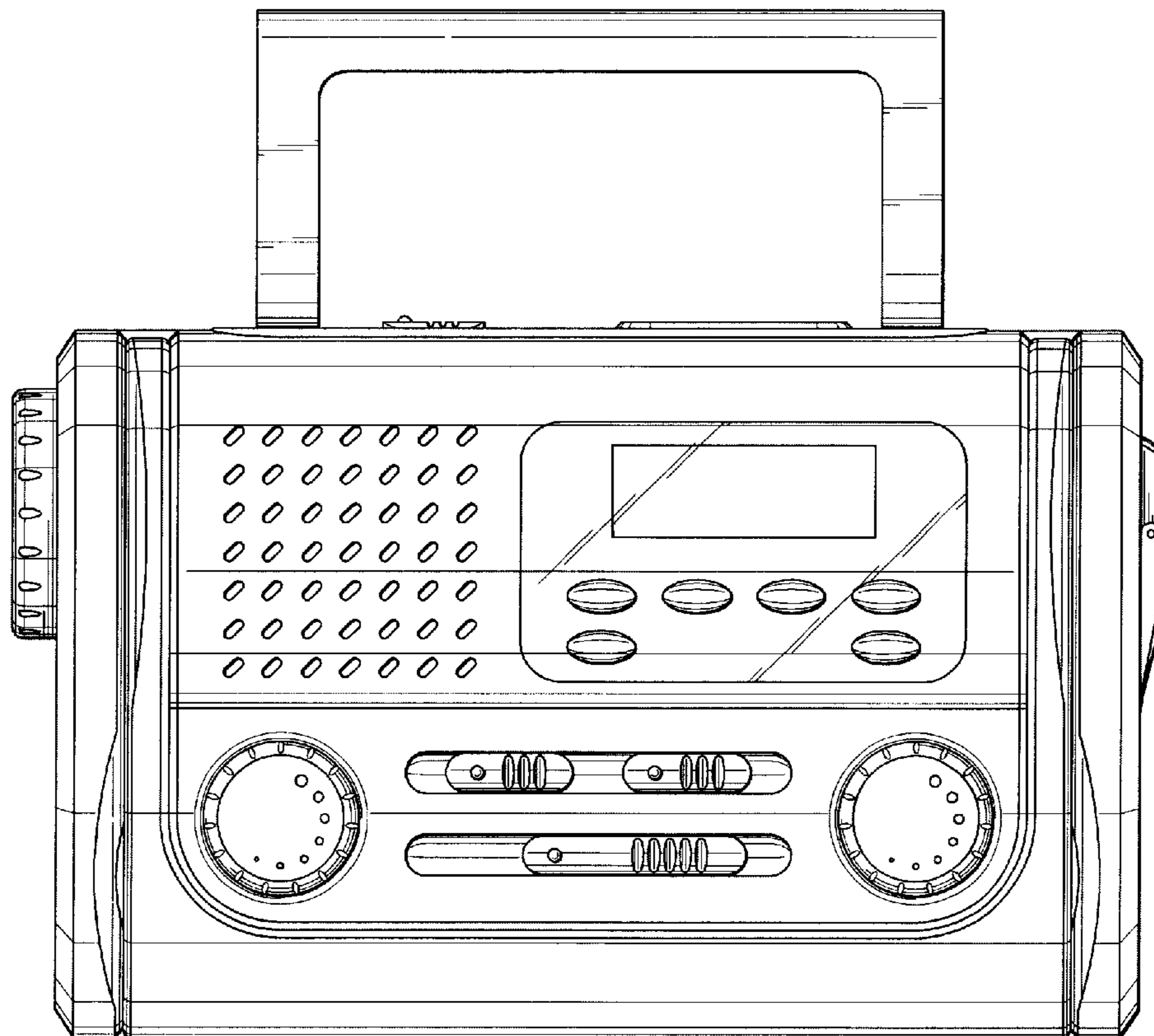
(58) **Field of Classification Search** D10/1-2,
D10/15; D14/168, 170-17, 193-198; D26/38-52;
312/7.1; 455/90, 100, 128, 344, 347, 350-351
See application file for complete search history.

(56) **References Cited**

U.S. PATENT DOCUMENTS

D275,671 S * 9/1984 van de Ven D14/196

1 Claim, 6 Drawing Sheets



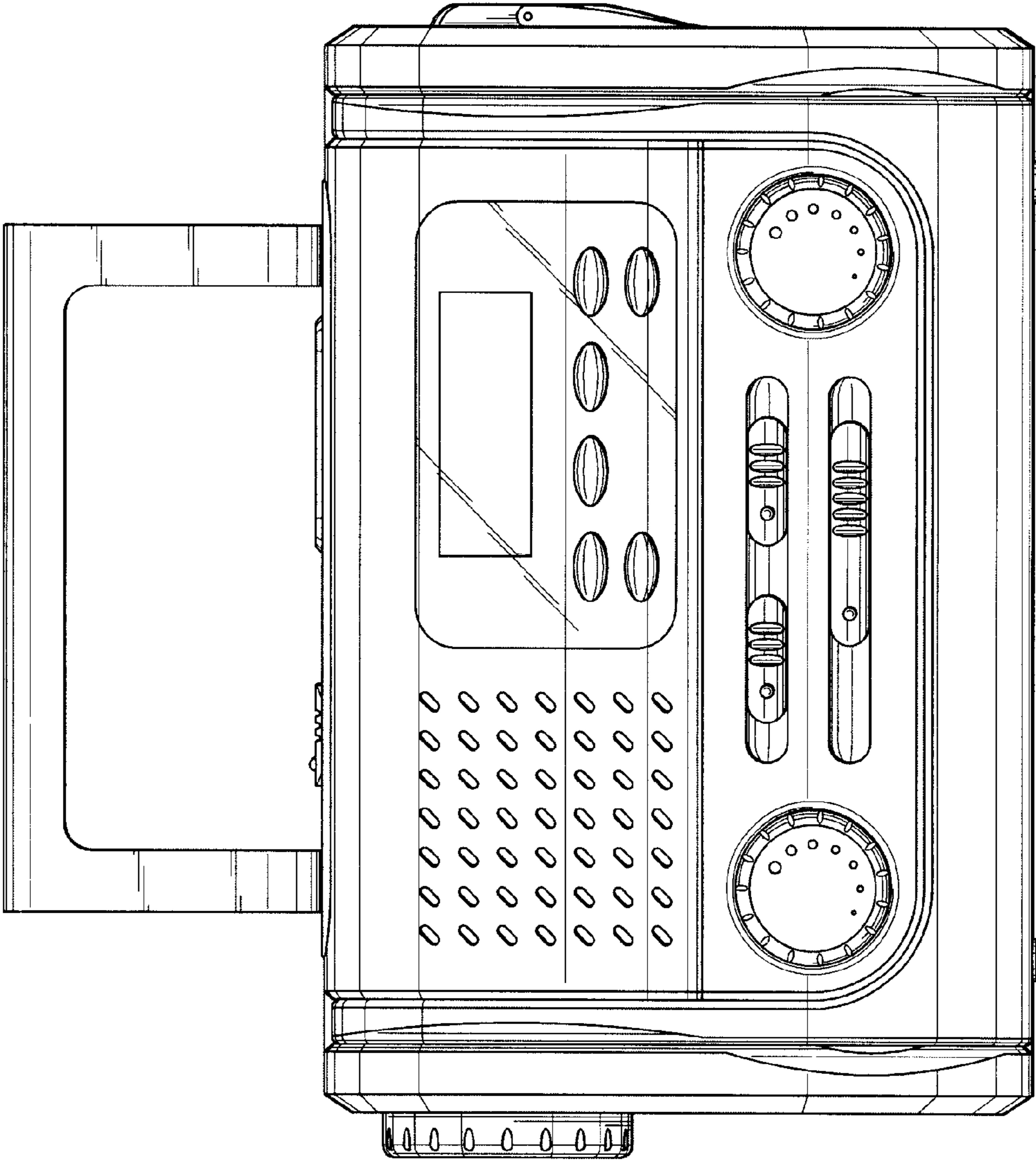


FIG. 1

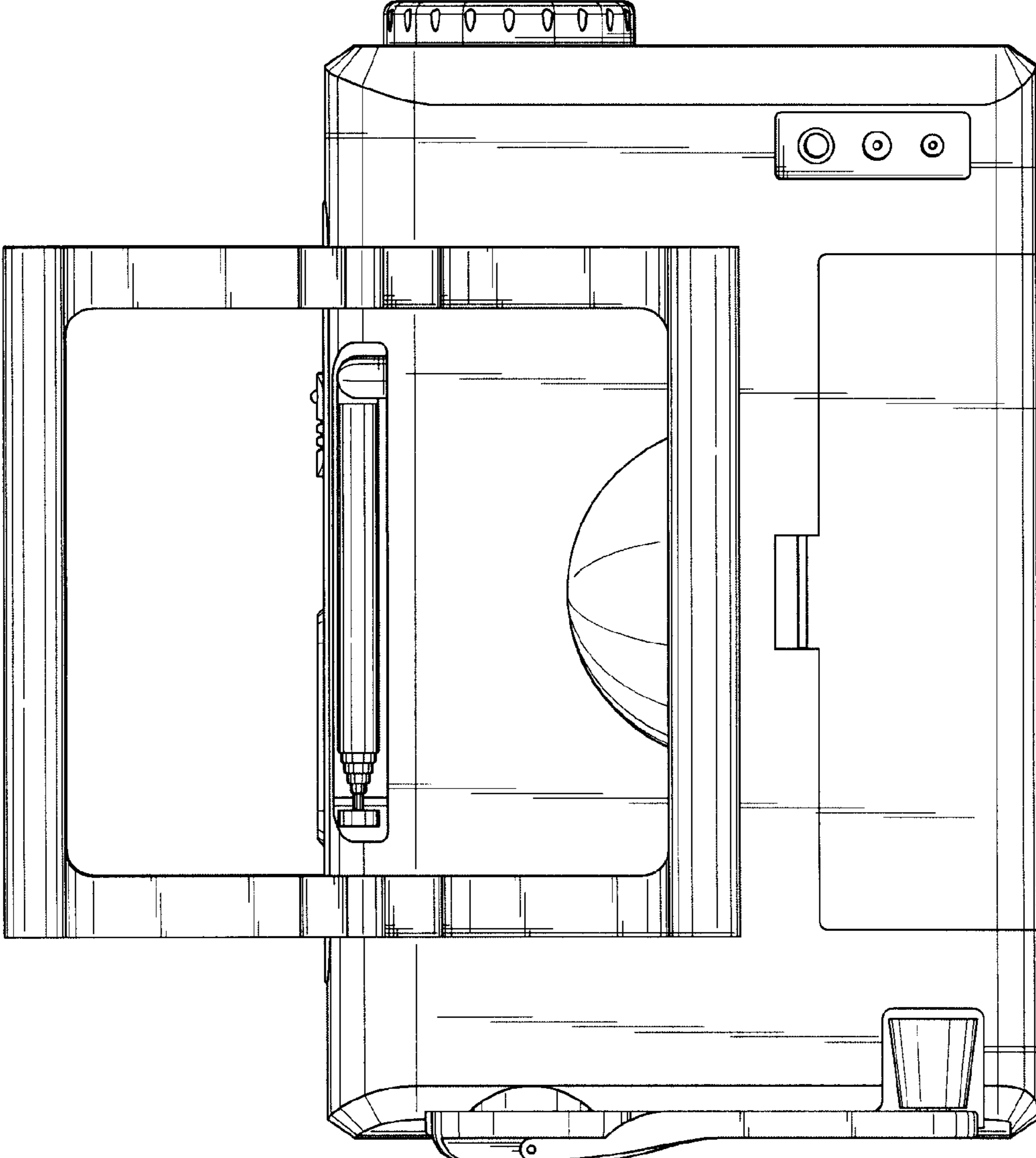


FIG. 2

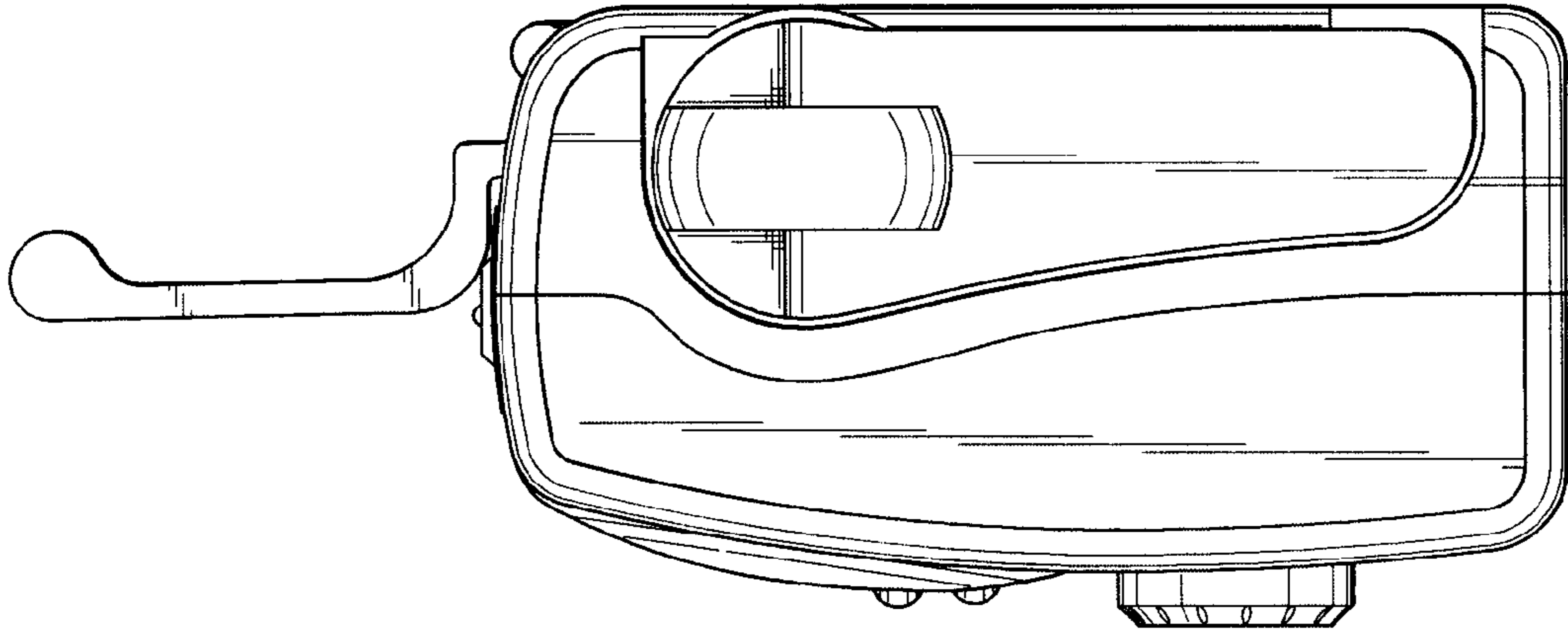


FIG. 4

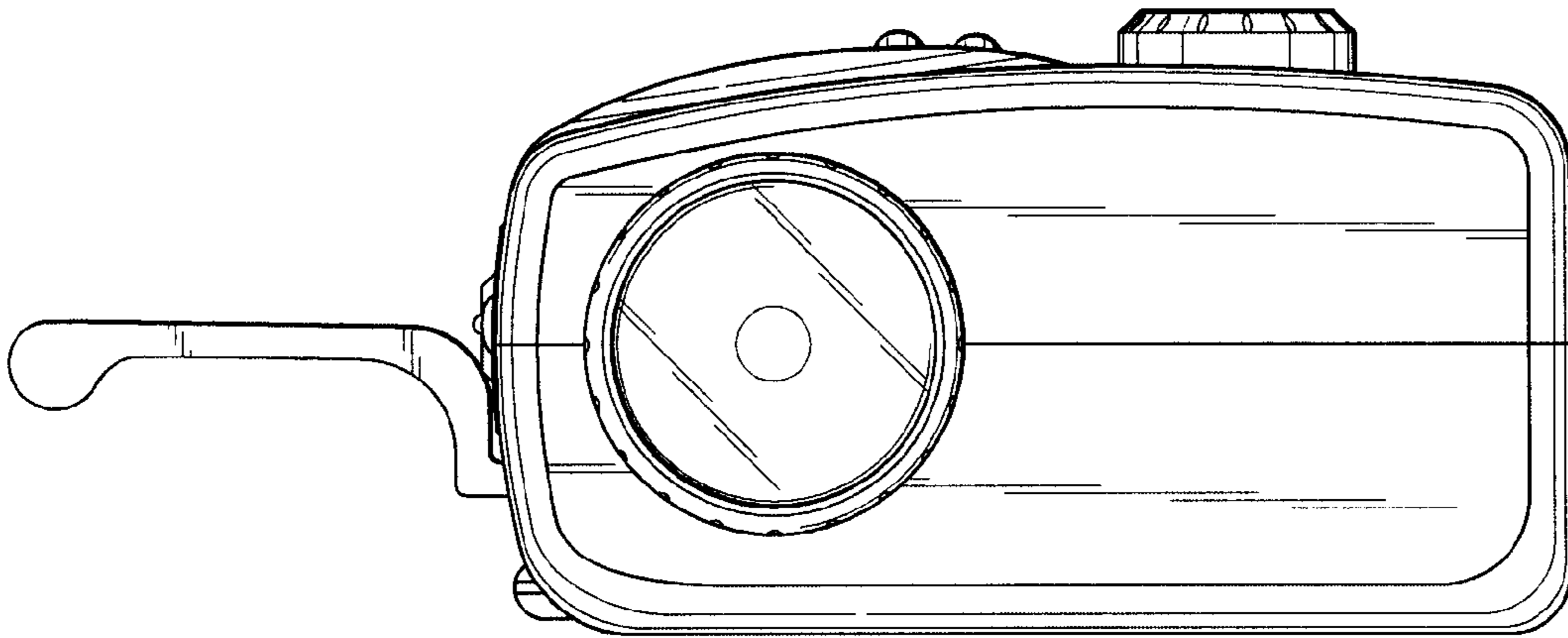


FIG. 3

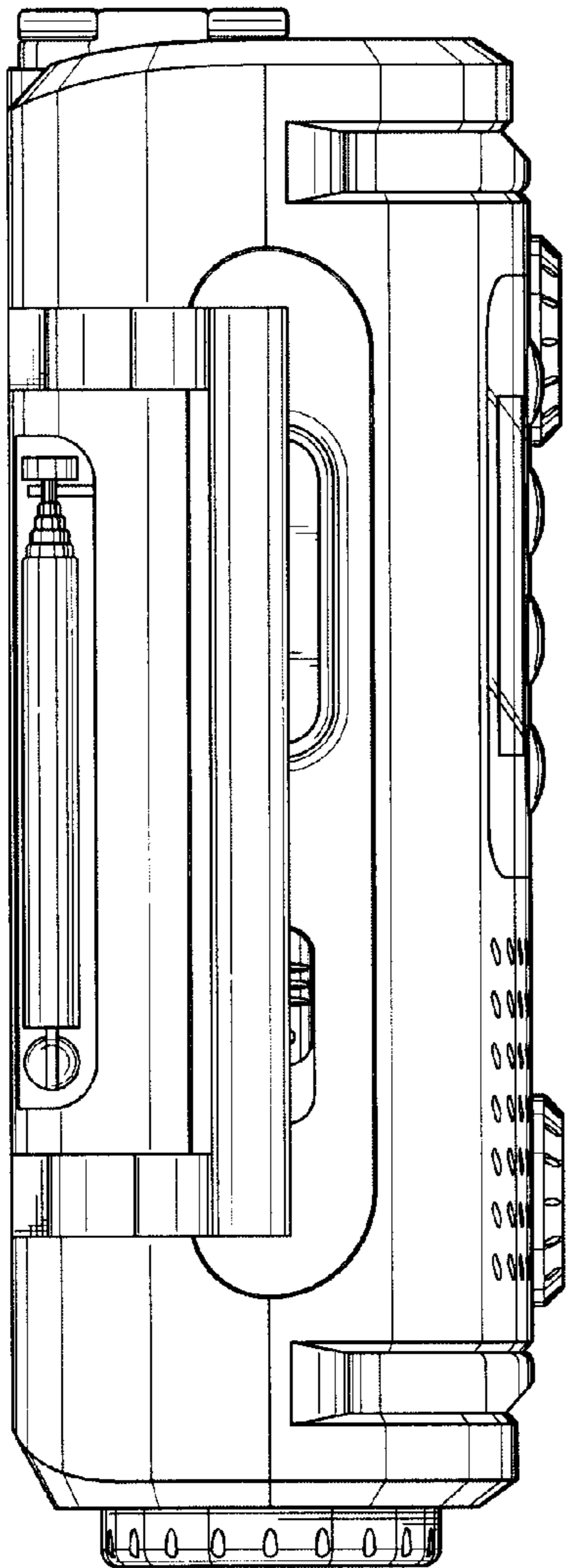


FIG. 5

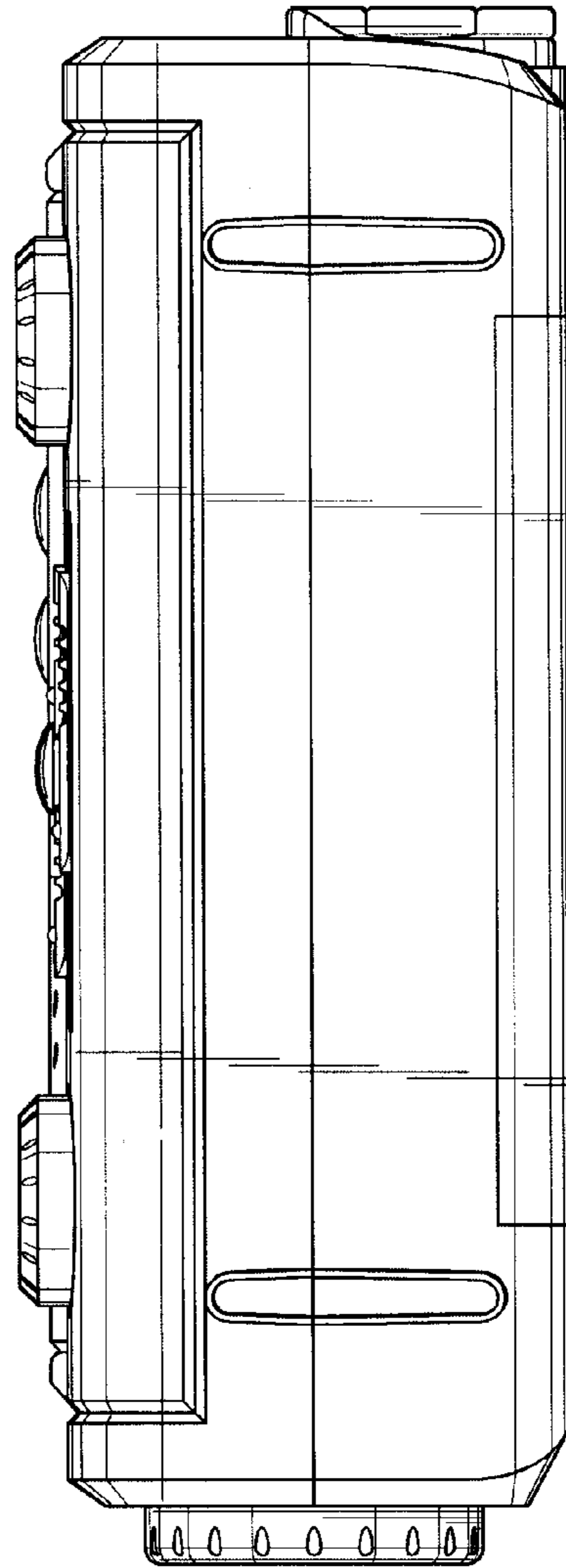


FIG. 6

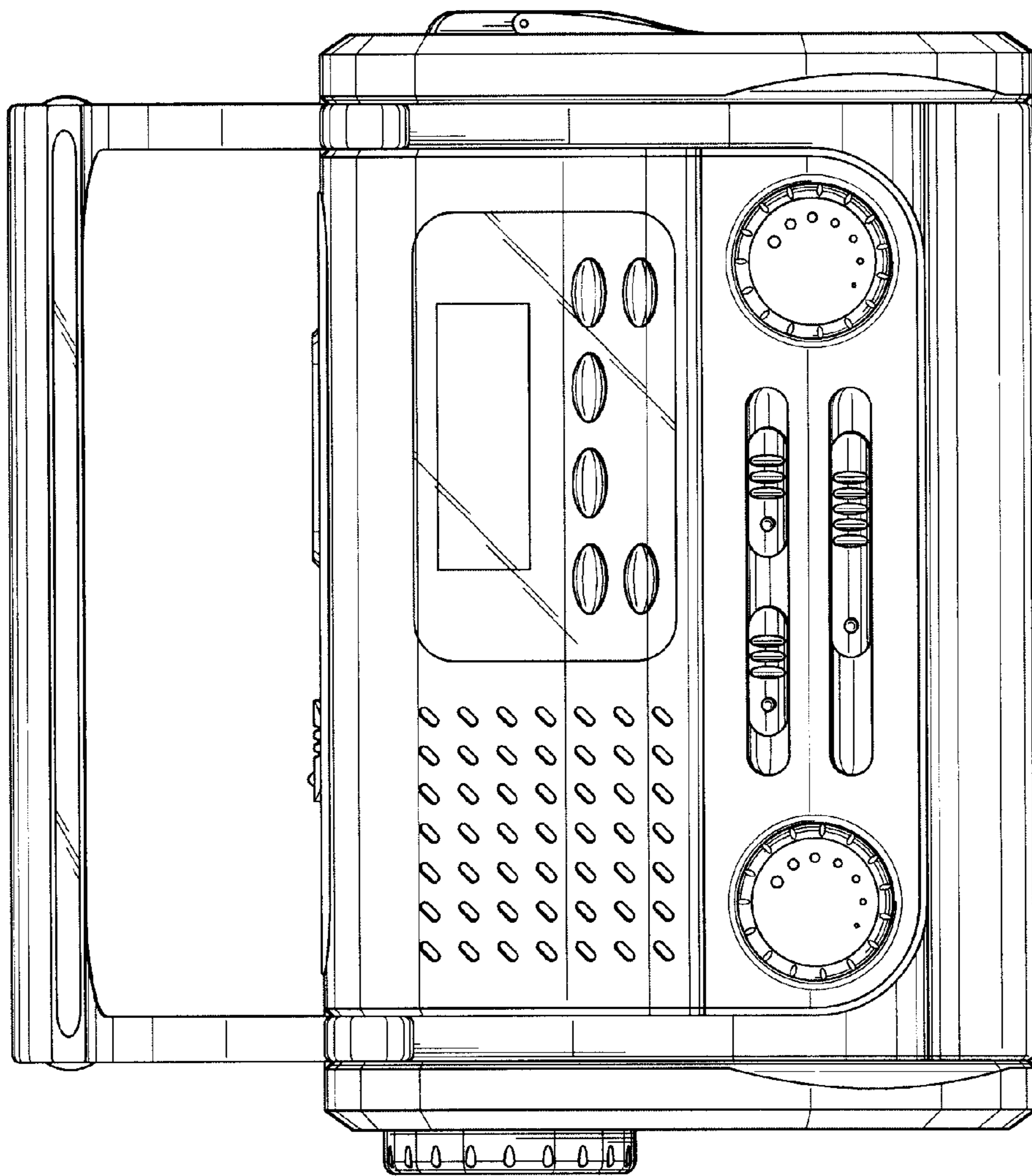


FIG. 7

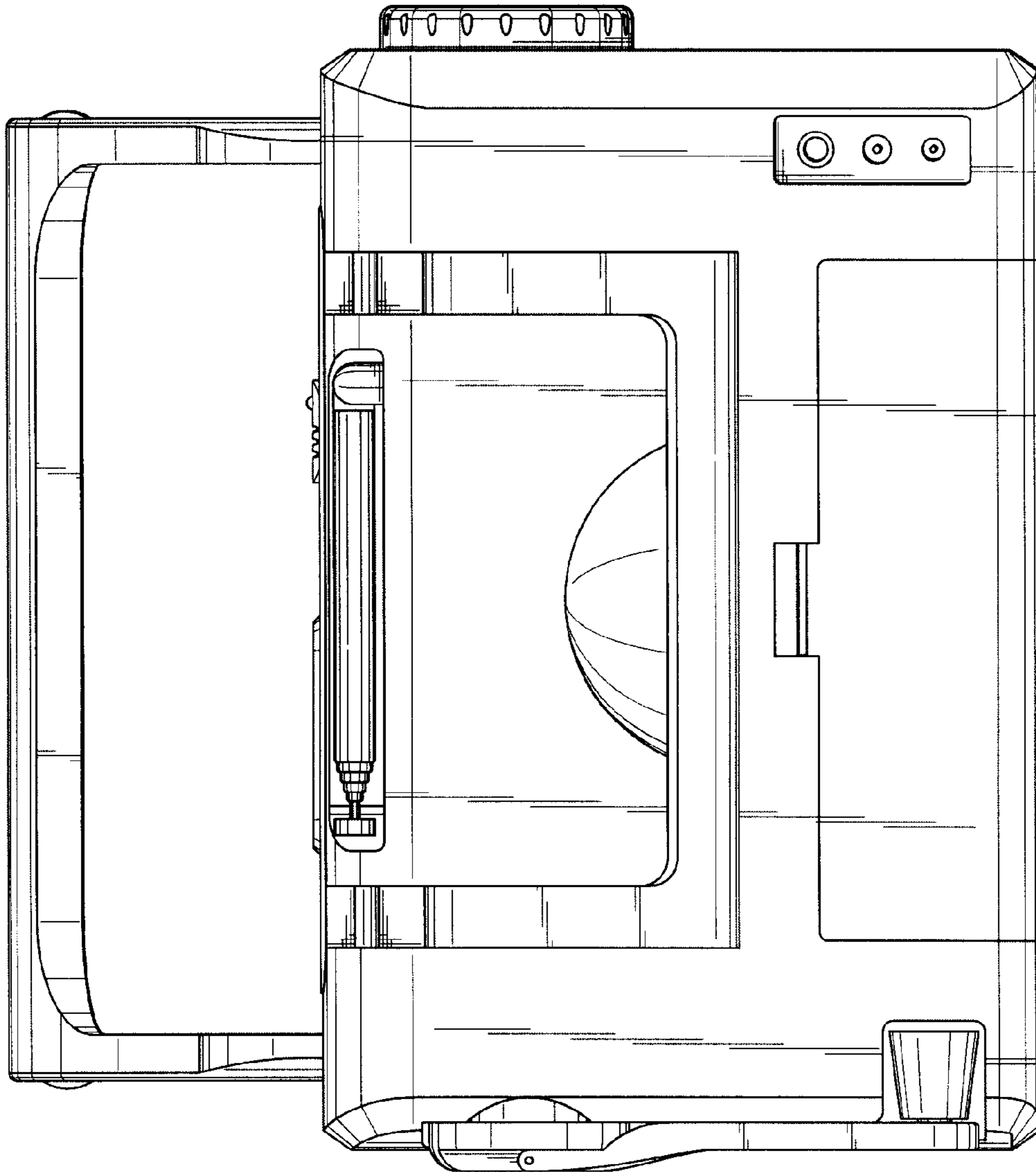


FIG. 8