

US00D523831S

(12) **United States Design Patent**  
**Brunner et al.**

(10) **Patent No.: US D523,831 S**  
(45) **Date of Patent: \*\* Jun. 27, 2006**

(54) **TELEVISION SET**

(75) Inventors: **Bob Brunner**, San Francisco, CA (US);  
**Jacques Gagne**, Los Gatos, CA (US);  
**Ben Chia**, San Francisco, CA (US)

(73) Assignee: **Hannspree, Inc.**, Taipei (TW)

(\*\*) Term: **14 Years**

(21) Appl. No.: **29/230,929**

(22) Filed: **May 26, 2005**

(30) **Foreign Application Priority Data**

Dec. 16, 2004 (TW) ..... 93307738

(51) **LOC (8) Cl.** ..... **14-03**

(52) **U.S. Cl.** ..... **D14/126; D14/129**

(58) **Field of Classification Search** ..... D14/125-134,  
D14/239, 371, 136, 374-377; 312/7.2; 348/836,  
348/838, 180, 184, 325, 739; 341/12; 248/917-924,  
248/465; 345/104, 133, 156, 168, 87, 173;  
720/605, 669, 600, 655; 369/99, 197; 455/344-347  
See application file for complete search history.

(56) **References Cited**

**U.S. PATENT DOCUMENTS**

D458,257 S \* 6/2002 Rosen et al. .... D14/375  
D458,910 S \* 6/2002 Kita ..... D14/126

D475,048 S \* 5/2003 Wu et al. .... D14/374  
D482,339 S \* 11/2003 Yin et al. .... D14/134  
D483,360 S \* 12/2003 Ma ..... D14/371  
D492,271 S \* 6/2004 Esslinger et al. .... D14/129  
D497,351 S \* 10/2004 Kita ..... D14/134  
D497,885 S \* 11/2004 Esslinger et al. .... D14/126  
D502,452 S \* 3/2005 Peng ..... D14/126  
D503,159 S \* 3/2005 Esslinger et al. .... D14/129  
D504,118 S \* 4/2005 Esslinger et al. .... D14/126  
D505,123 S \* 5/2005 Kita ..... D14/126  
D511,345 S \* 11/2005 Heatherly et al. .... D14/371

\* cited by examiner

*Primary Examiner*—Raphael Barkai

(74) *Attorney, Agent, or Firm*—Dellet & Walters

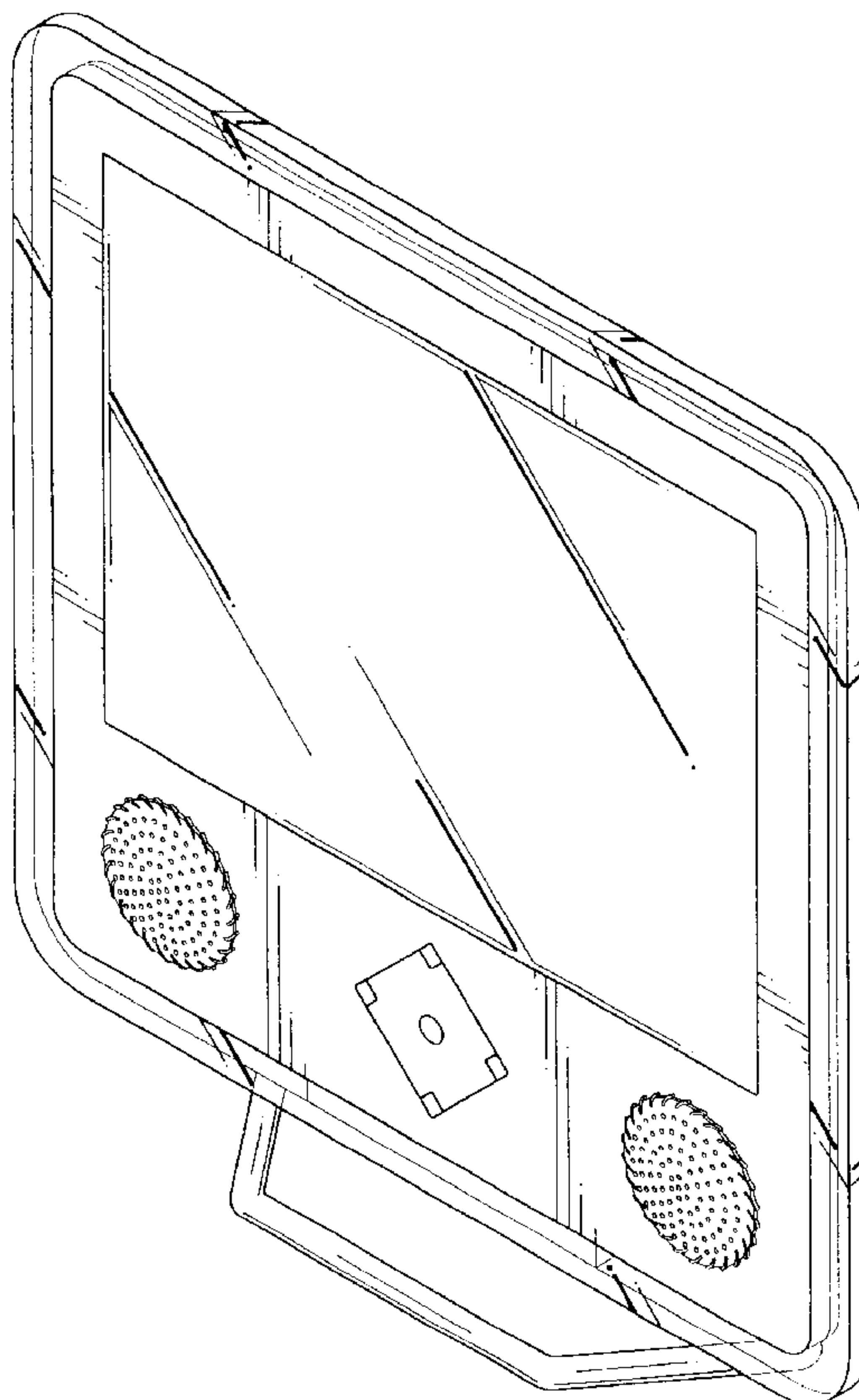
(57) **CLAIM**

The ornamental design for a television set, as shown.

**DESCRIPTION**

FIG. 1 is a perspective view of a television set showing our new design;  
FIG. 2 is a front view thereof;  
FIG. 3 is a rear view thereof;  
FIG. 4 is a left view thereof;  
FIG. 5 is a right view thereof;  
FIG. 6 is a top view thereof; and,  
FIG. 7 is a bottom view thereof.

**1 Claim, 5 Drawing Sheets**



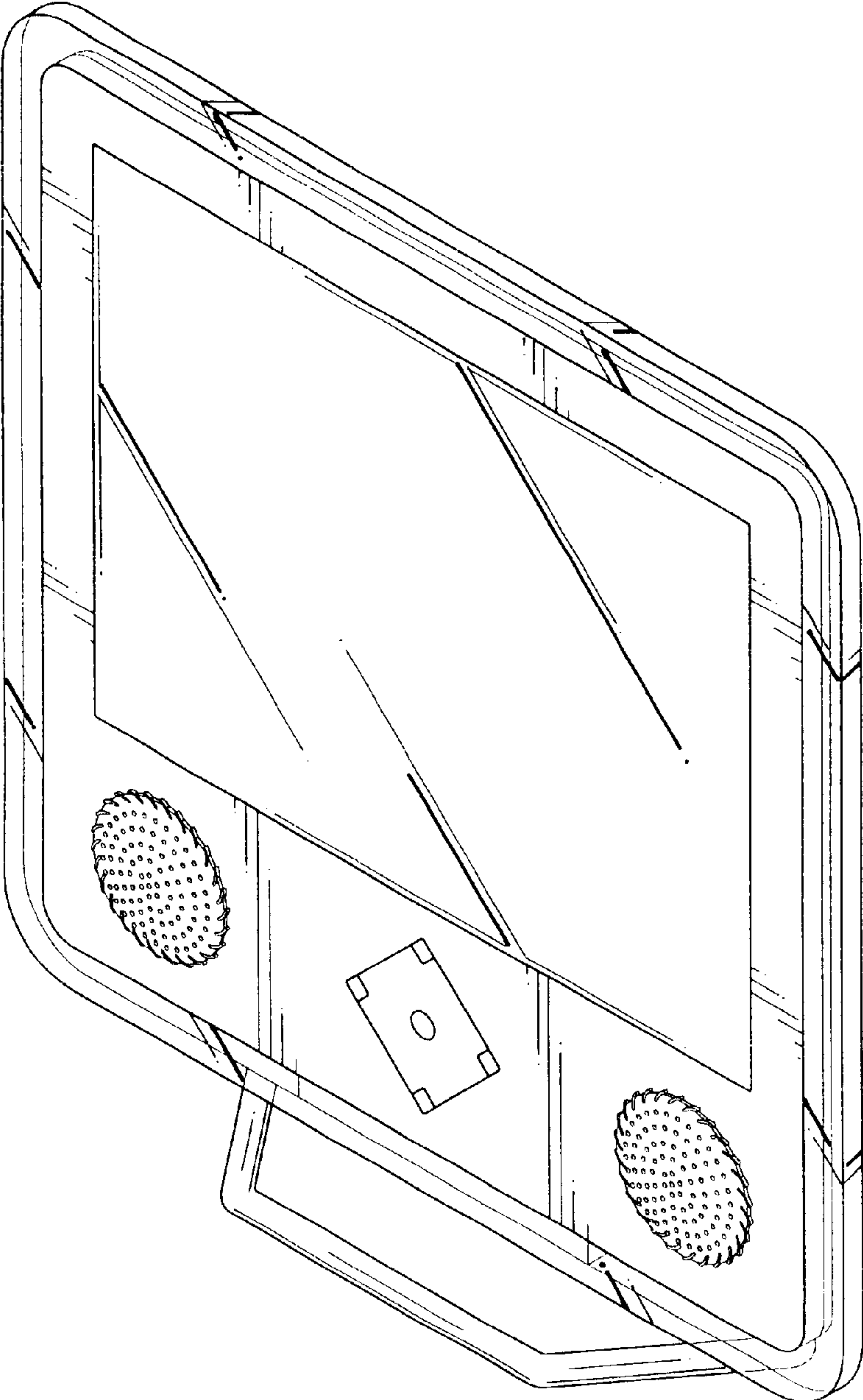


FIG. 1

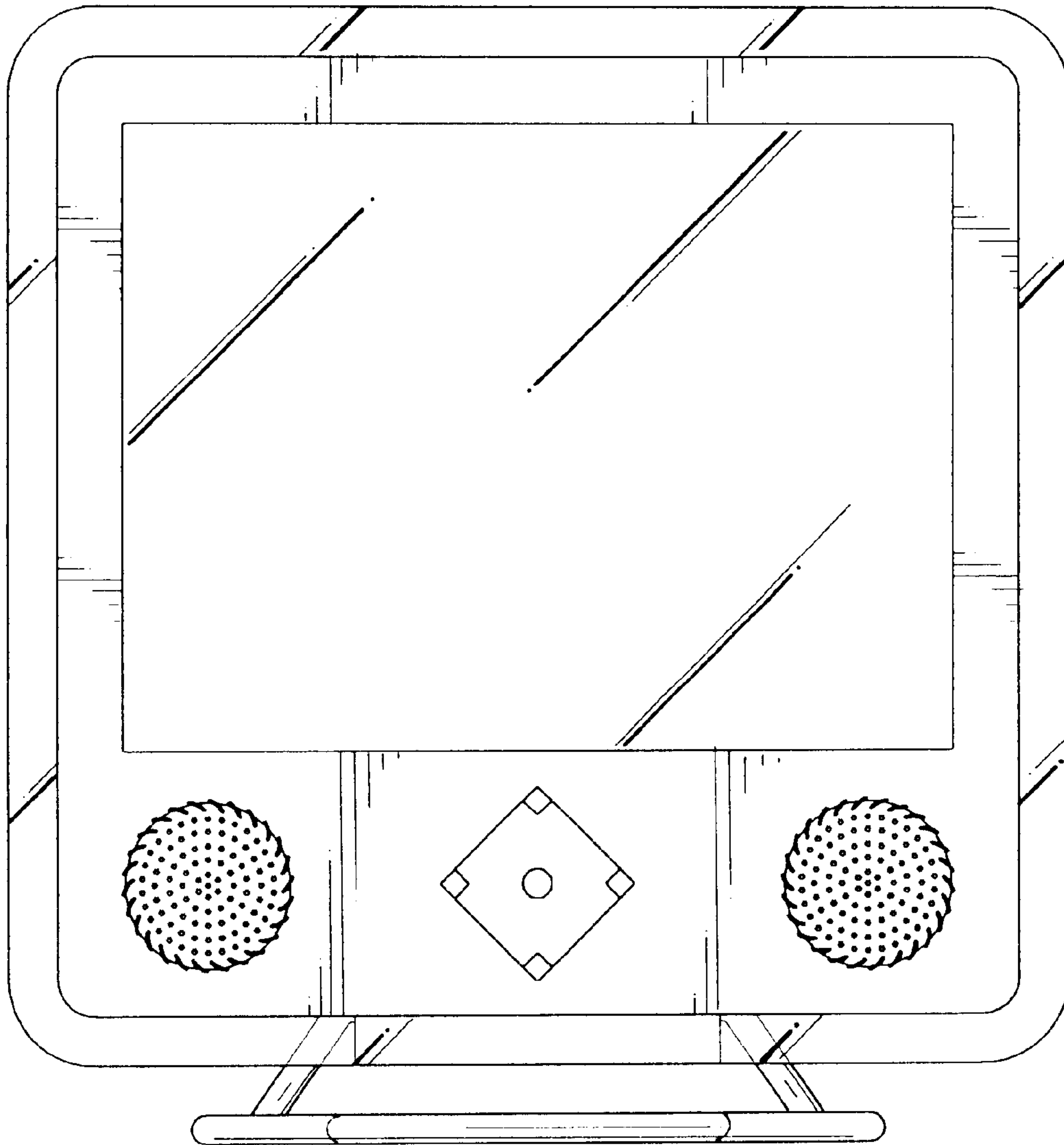


FIG.2

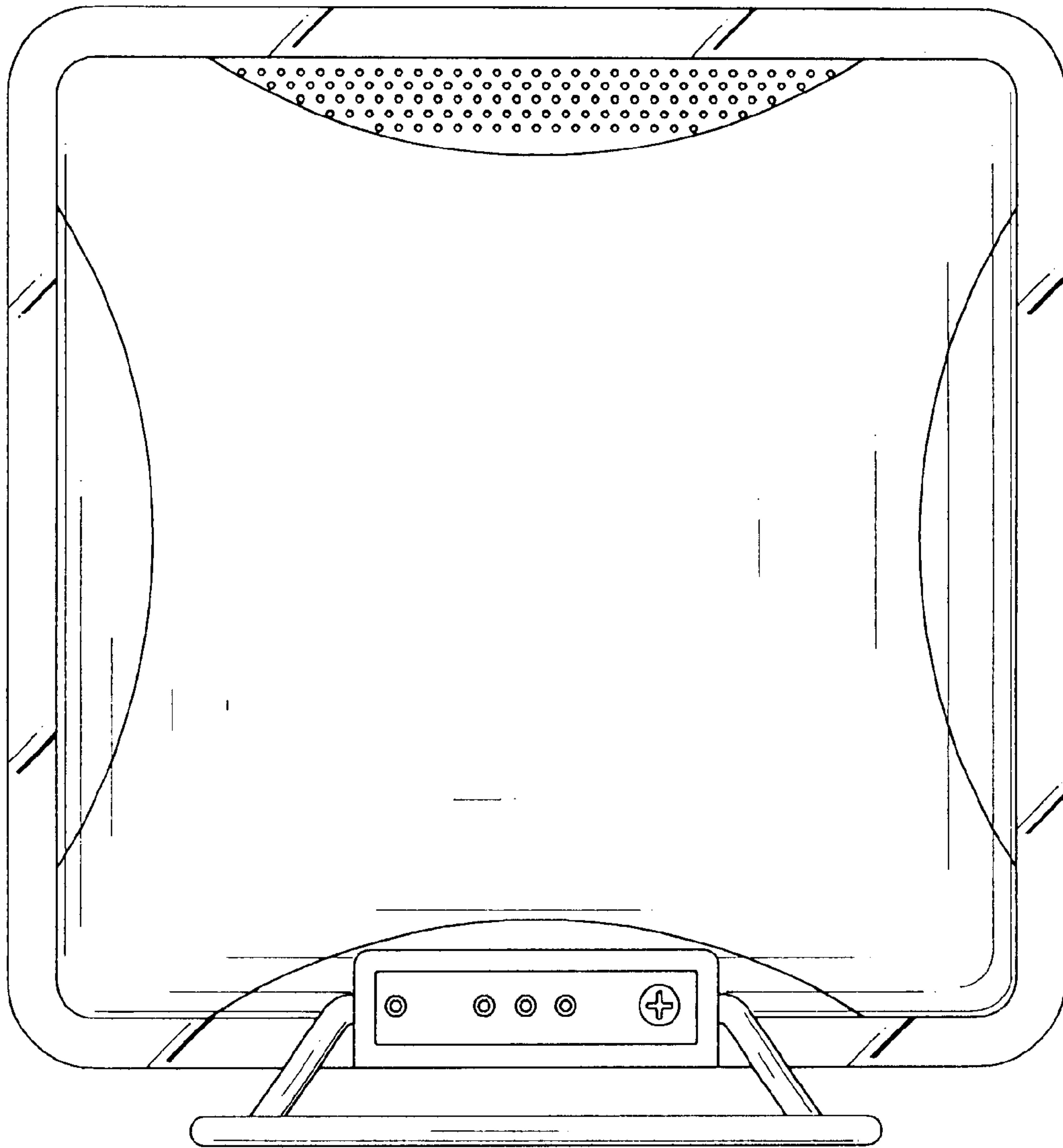


FIG.3

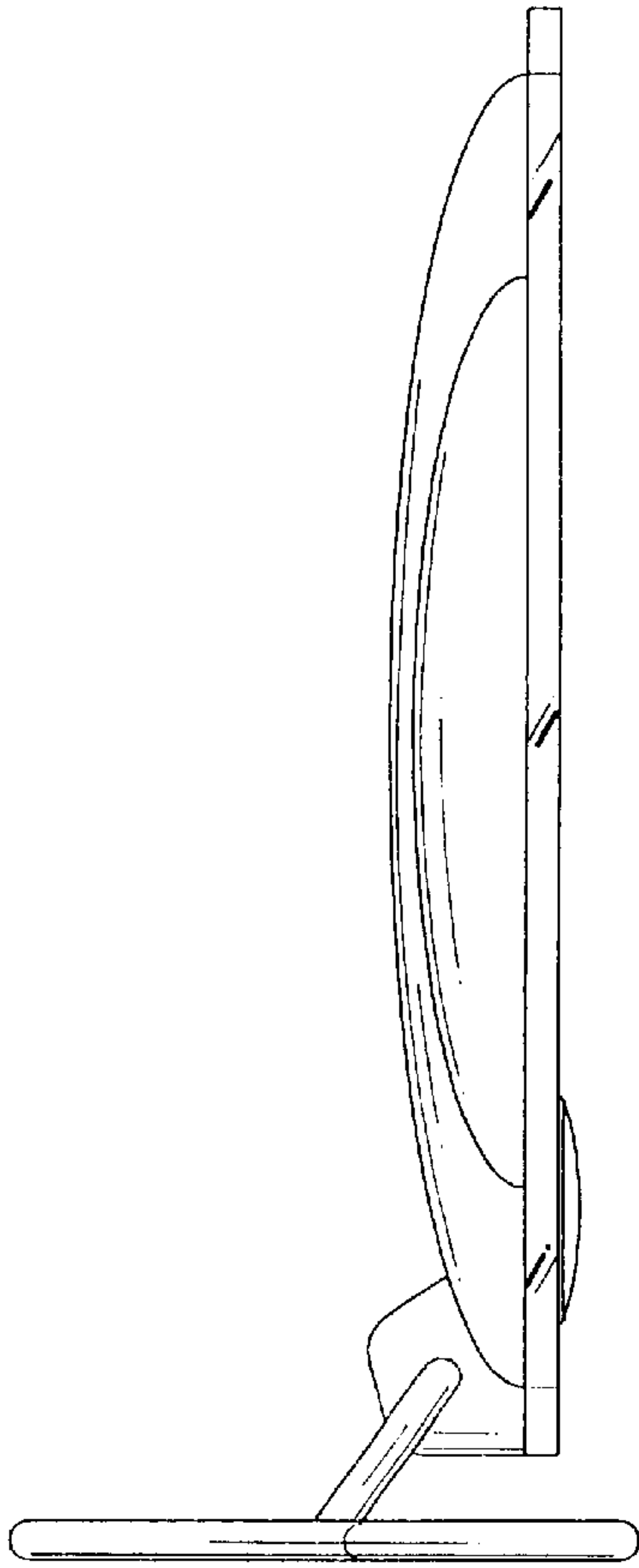


FIG. 4

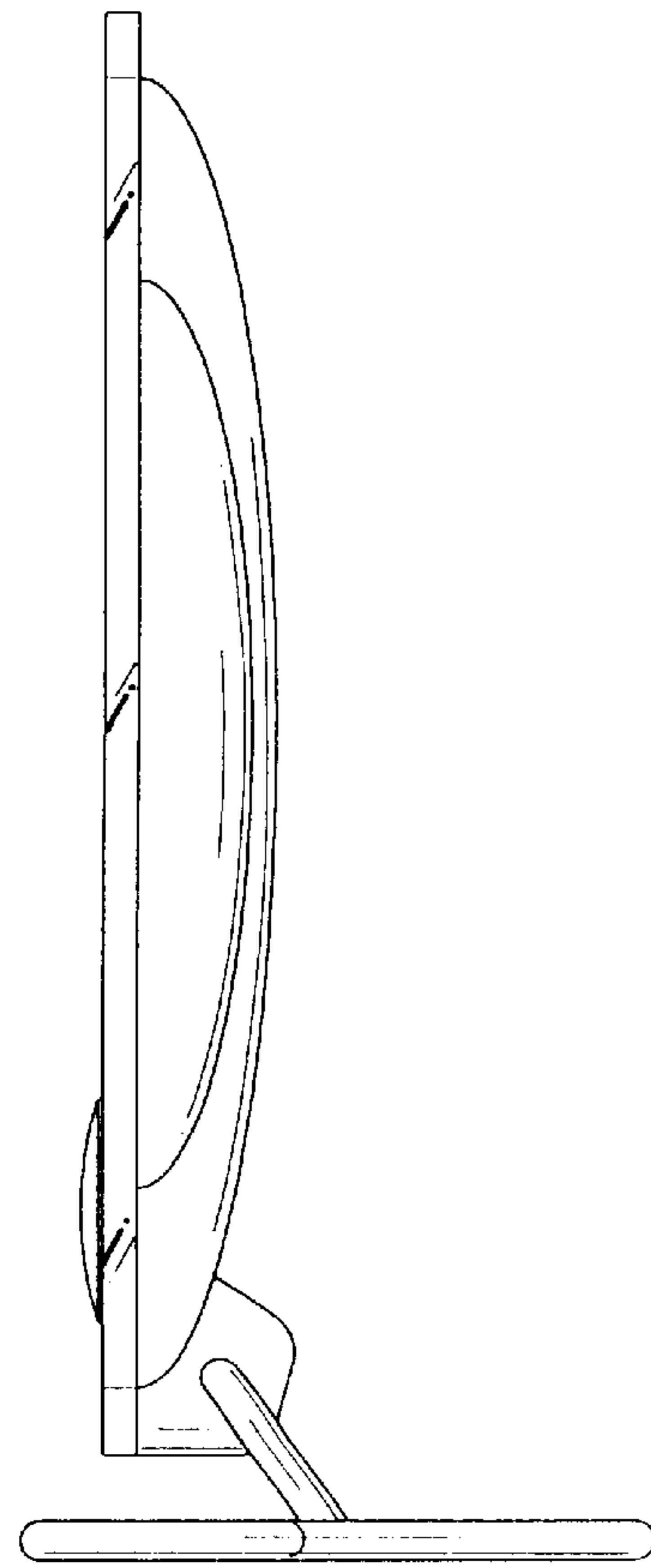


FIG. 5

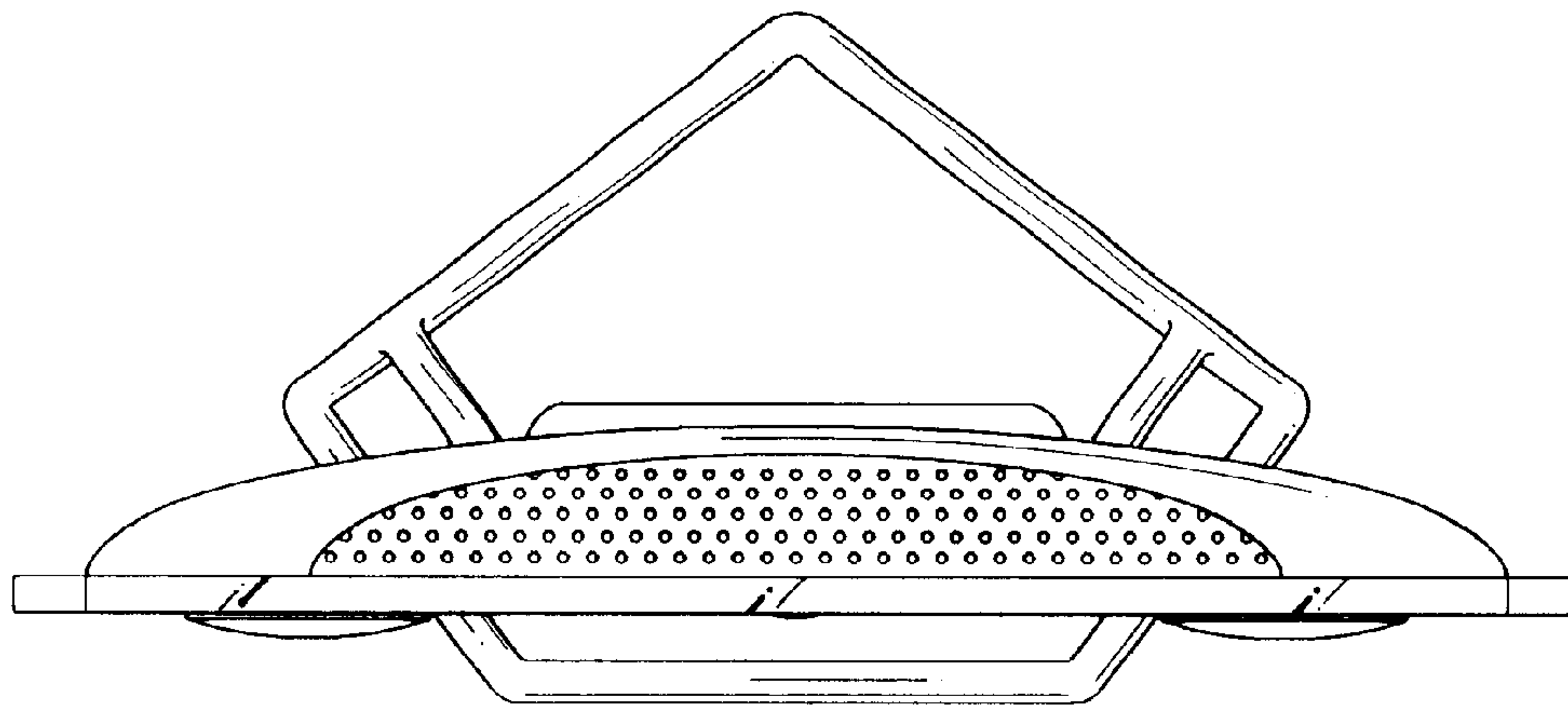


FIG. 6

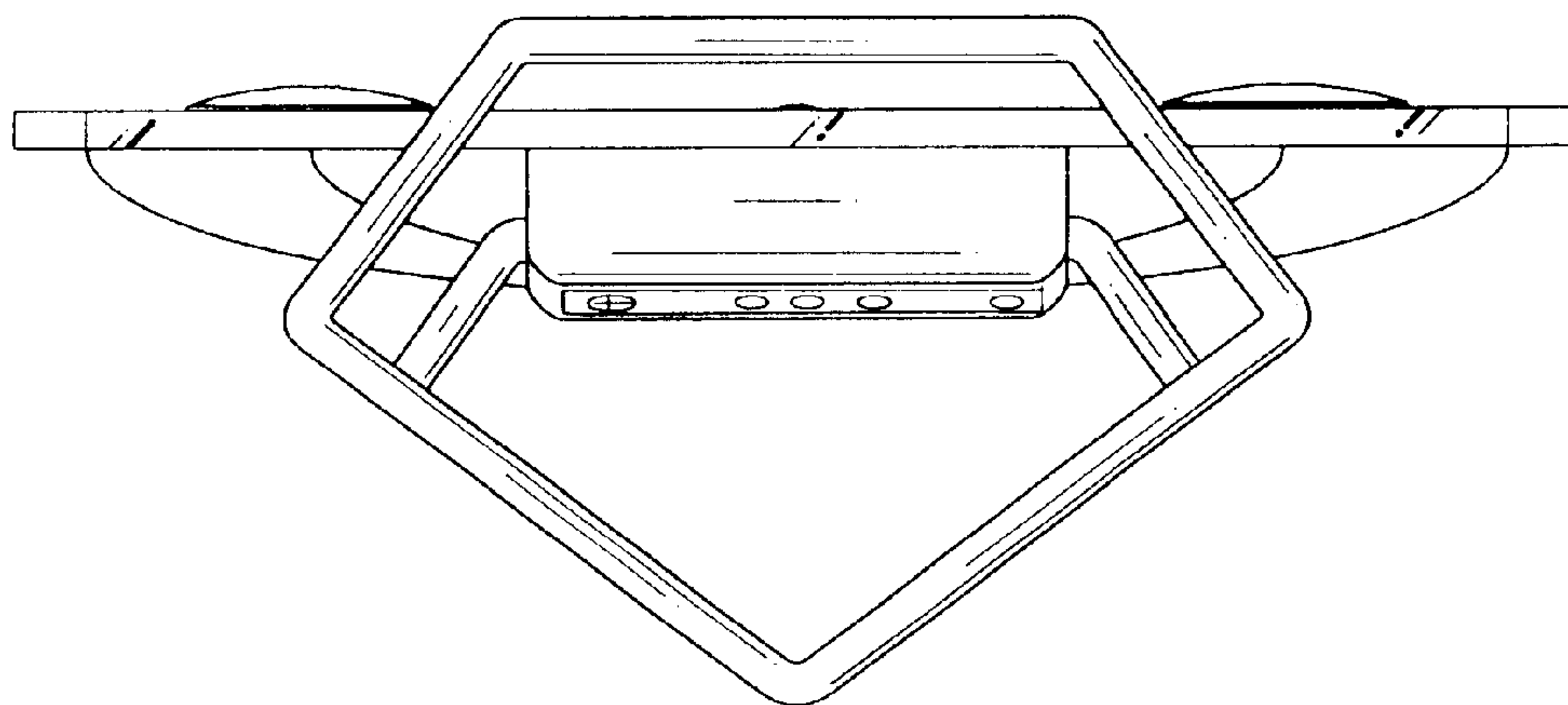


FIG. 7