



US00D523826S

(12) **United States Design Patent**
Kamada

(10) **Patent No.:** **US D523,826 S**
(45) **Date of Patent:** **** Jun. 27, 2006**

(54) **LIGHT EMITTING DIODE**
(75) Inventor: **Kazuhiro Kamada**, Anan (JP)
(73) Assignee: **Nichia Corporation**, Tokushima-ken (JP)
(**) Term: **14 Years**

5,769,006 A * 6/1998 Allaer 109/73
D405,421 S * 2/1999 Tennefoss et al. D13/152
6,075,435 A * 6/2000 Jeffcoat 337/256
D430,866 S * 9/2000 Beaumont et al. D14/140.2
6,179,144 B1 * 1/2001 Abroy et al. 220/3.8
D437,586 S * 2/2001 Sonntag D13/184
D503,690 S * 4/2005 Kamada D13/180
D509,489 S * 9/2005 Kamada D13/180
2004/0257739 A1 * 12/2004 Rencsok 361/104

(21) Appl. No.: **29/232,454**
(22) Filed: **Jun. 20, 2005**

* cited by examiner

Related U.S. Application Data

Primary Examiner—Stella Reid
Assistant Examiner—Selina Sikder
(74) *Attorney, Agent, or Firm*—Osha Liang LLP

(62) Division of application No. 29/221,929, filed on Jan. 24, 2005, now Pat. No. Des. 509,489, which is a division of application No. 29/192,569, filed on Oct. 27, 2003, now Pat. No. Des. 503,690.

(57) **CLAIM**

The ornamental design for a light emitting diode, as shown and described.

(30) **Foreign Application Priority Data**

DESCRIPTION

Apr. 25, 2003 (JP) 2003-011756
Apr. 25, 2003 (JP) 2003-011757
Apr. 25, 2003 (JP) 2003-011758
Apr. 25, 2003 (JP) 2003-011759
Apr. 25, 2003 (JP) 2003-011760
Apr. 25, 2003 (JP) 2003-011761

FIG. 1 shows a front view of the design according to my new design.
FIG. 2 shows a top view of the design according the design thereof.
FIG. 3 shows a bottom view of the design according to the design thereof.
FIG. 4 shows a right side view of the design according to the design thereof.
FIG. 5 shows a perspective view of the design according to the design thereof; and,
FIG. 6 shows a sectional view of the design according to the design thereof taken along the line 6—6 as shown in FIG. 2.
The back view of each embodiment is a mirror image of its corresponding front view.
The left side view of each embodiment is a mirror image of its corresponding right side view.
The elements shown in broken lines are for illustrative purposes only and form no part of the claimed design.

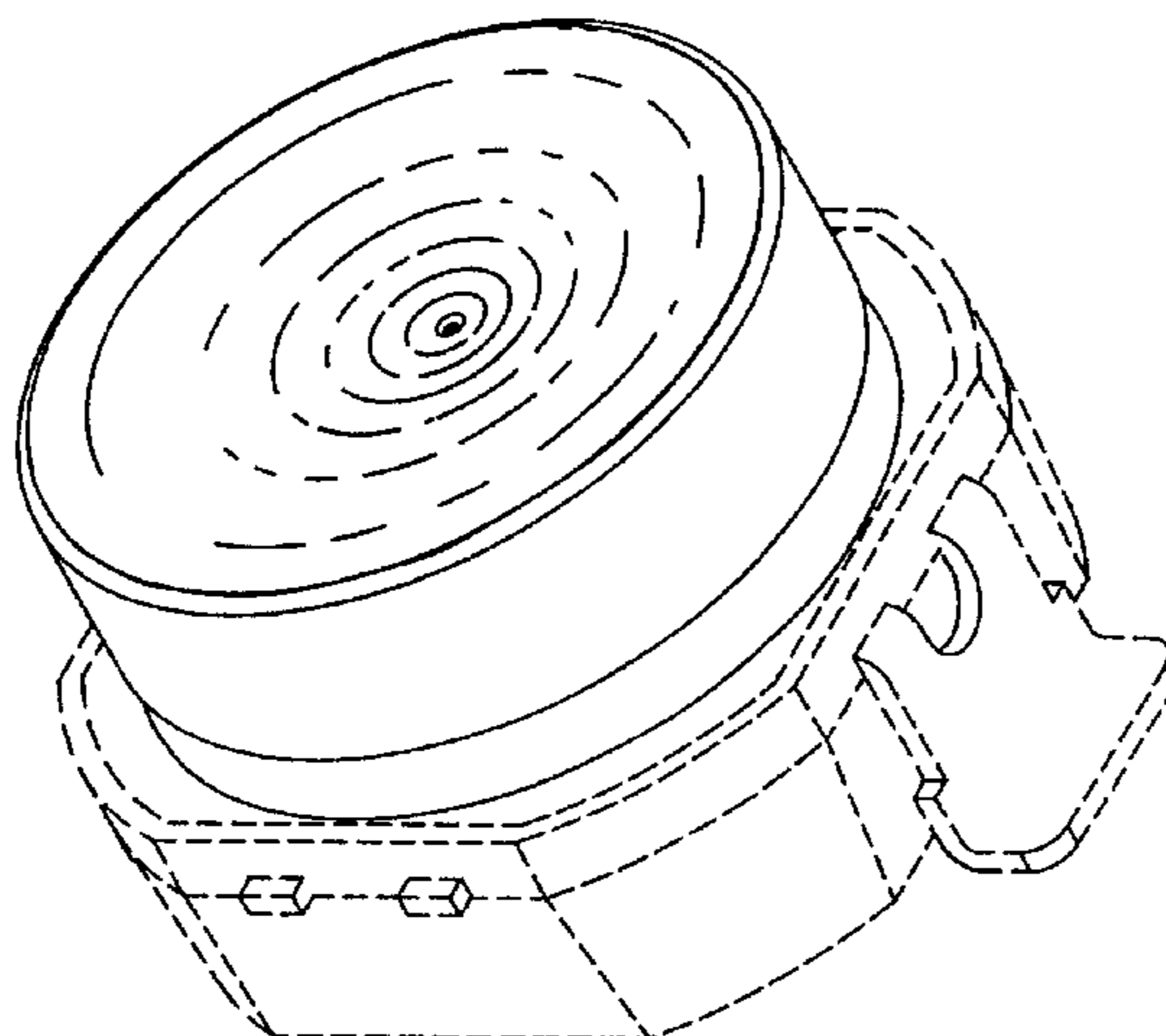
(51) **LOC (8) Cl.** **13-03**
(52) **U.S. Cl.** **D13/180**
(58) **Field of Classification Search** D13/180, D13/182; 257/76, 79, 88, 89, 93–99, 434, 257/676, 678, 687, 690, 698, 787; 313/498, 313/799, 500; 361/760, 820; 362/226, 241, 362/249, 250, 307, 555
See application file for complete search history.

(56) **References Cited**

U.S. PATENT DOCUMENTS

D295,400 S * 4/1988 Wung D13/154
5,272,279 A * 12/1993 Filshie 174/50
5,515,235 A * 5/1996 Stoller 361/605

1 Claim, 3 Drawing Sheets



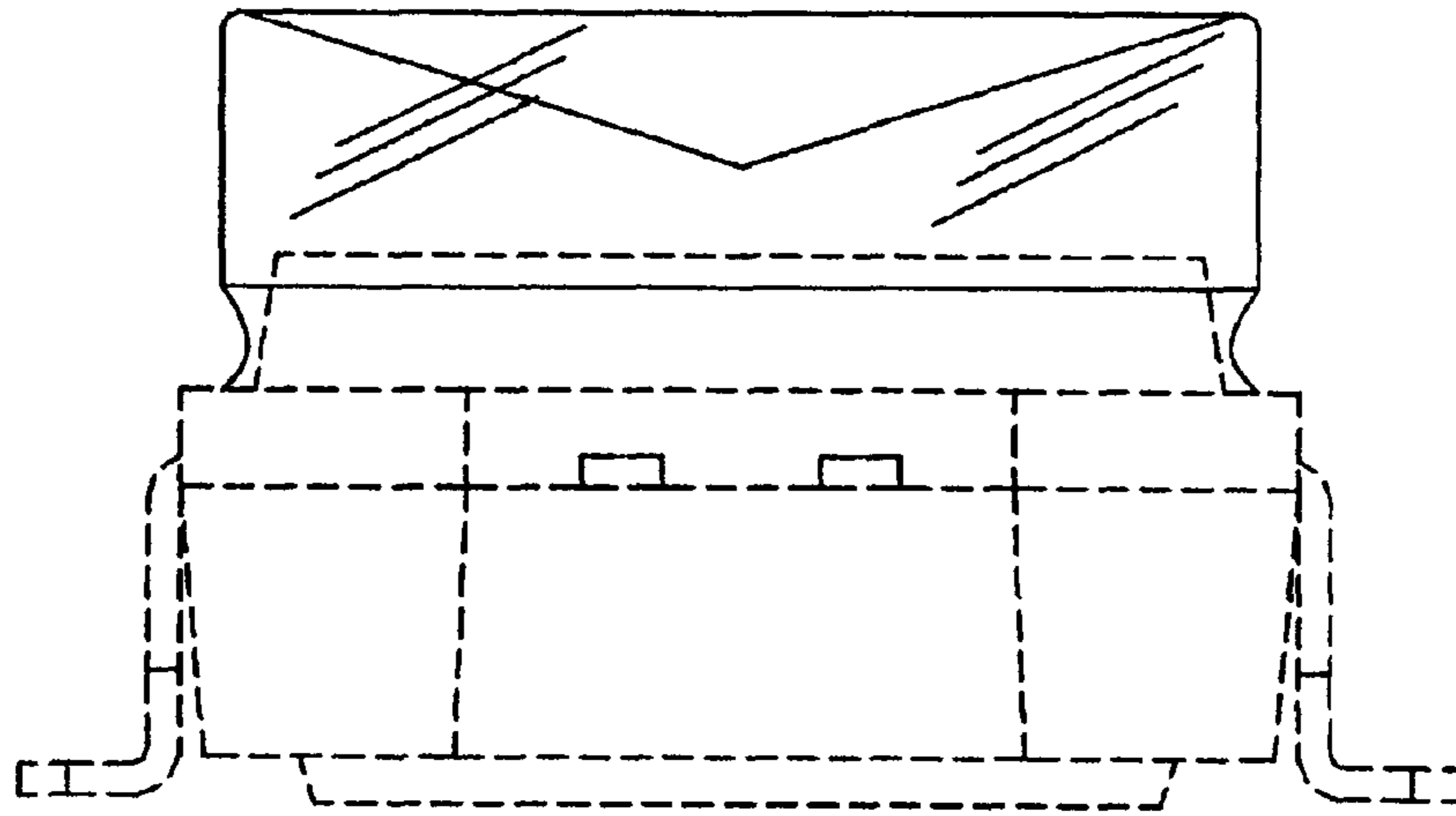


FIG. 1

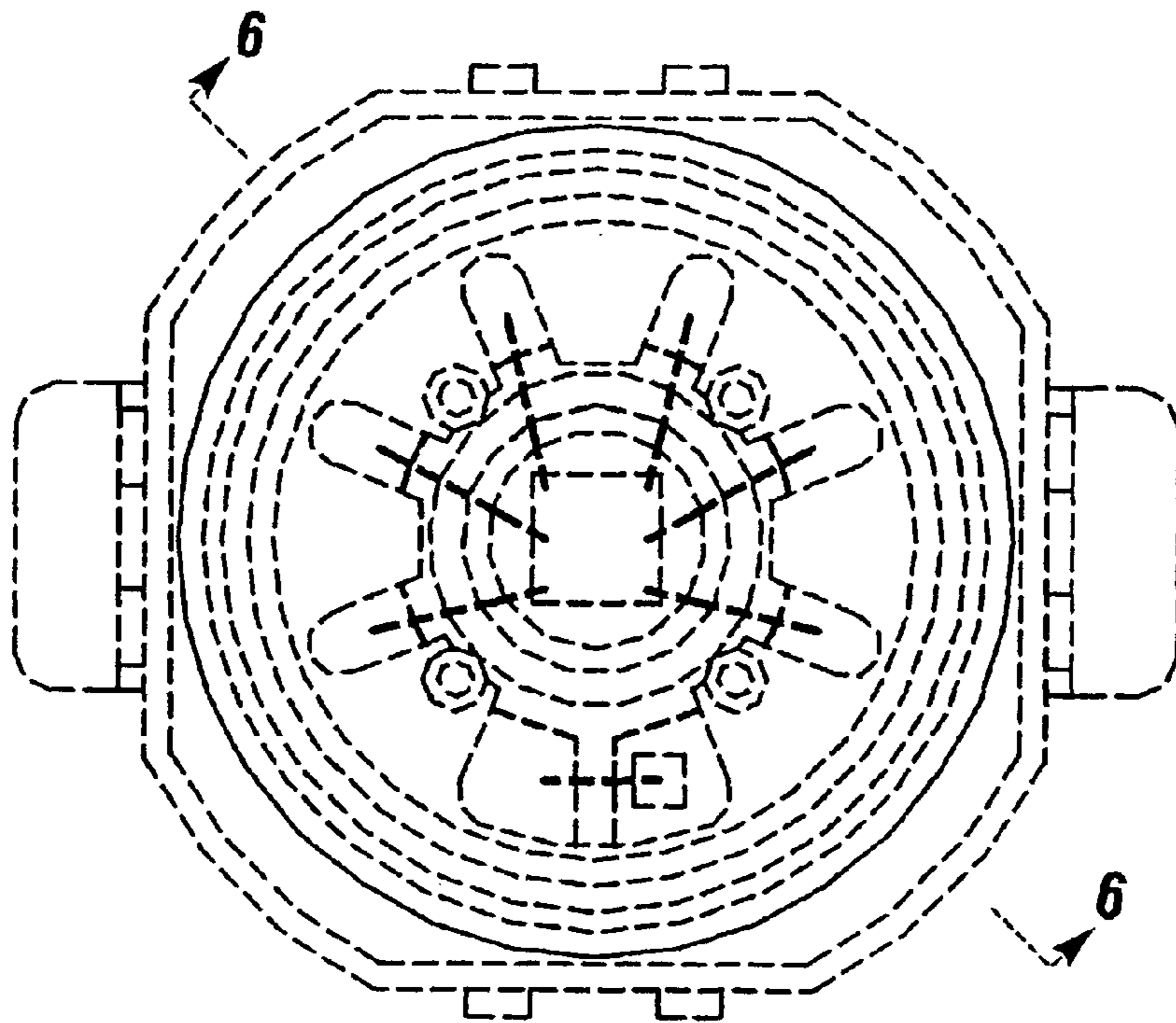


FIG. 2

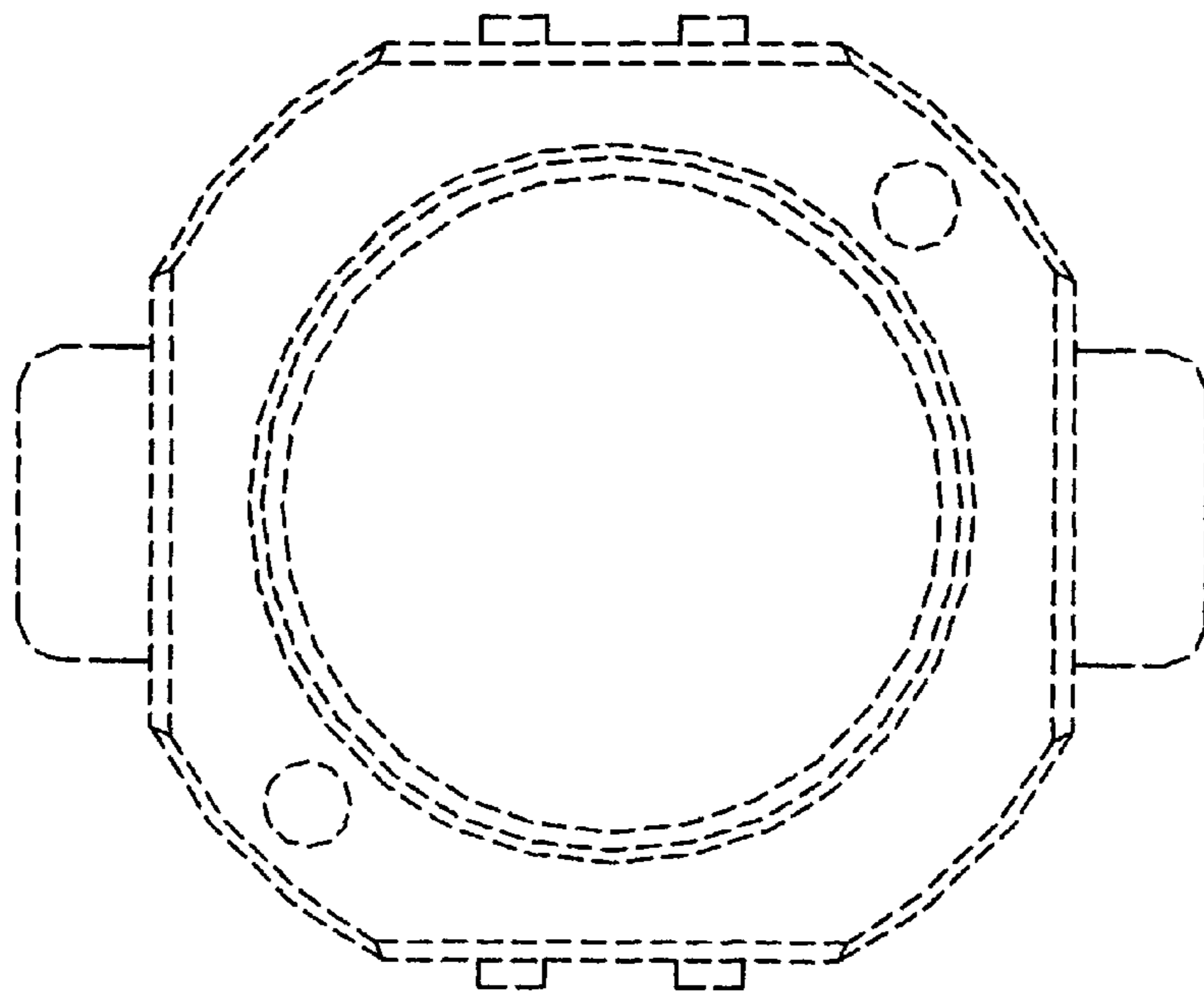


FIG. 3

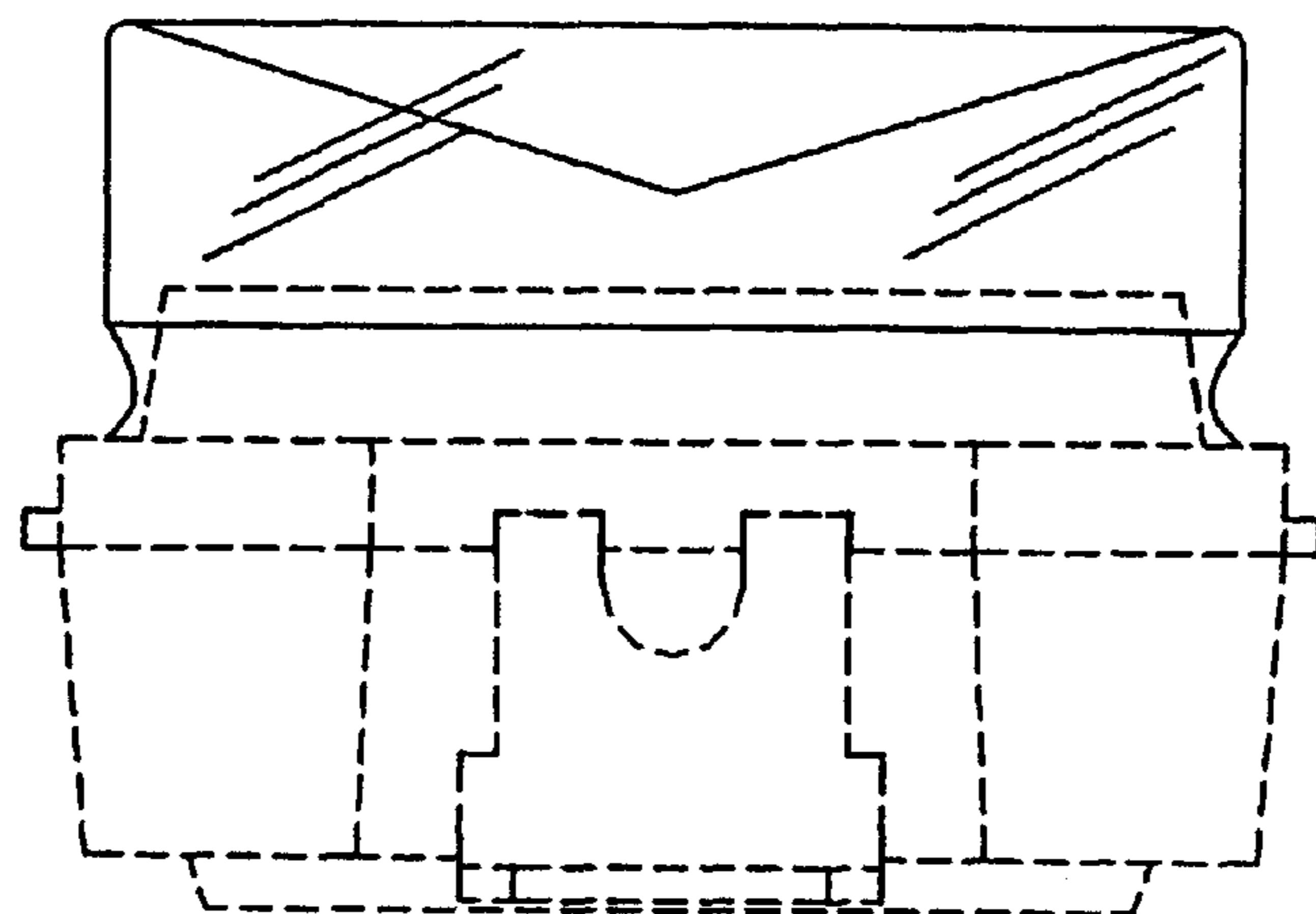


FIG. 4

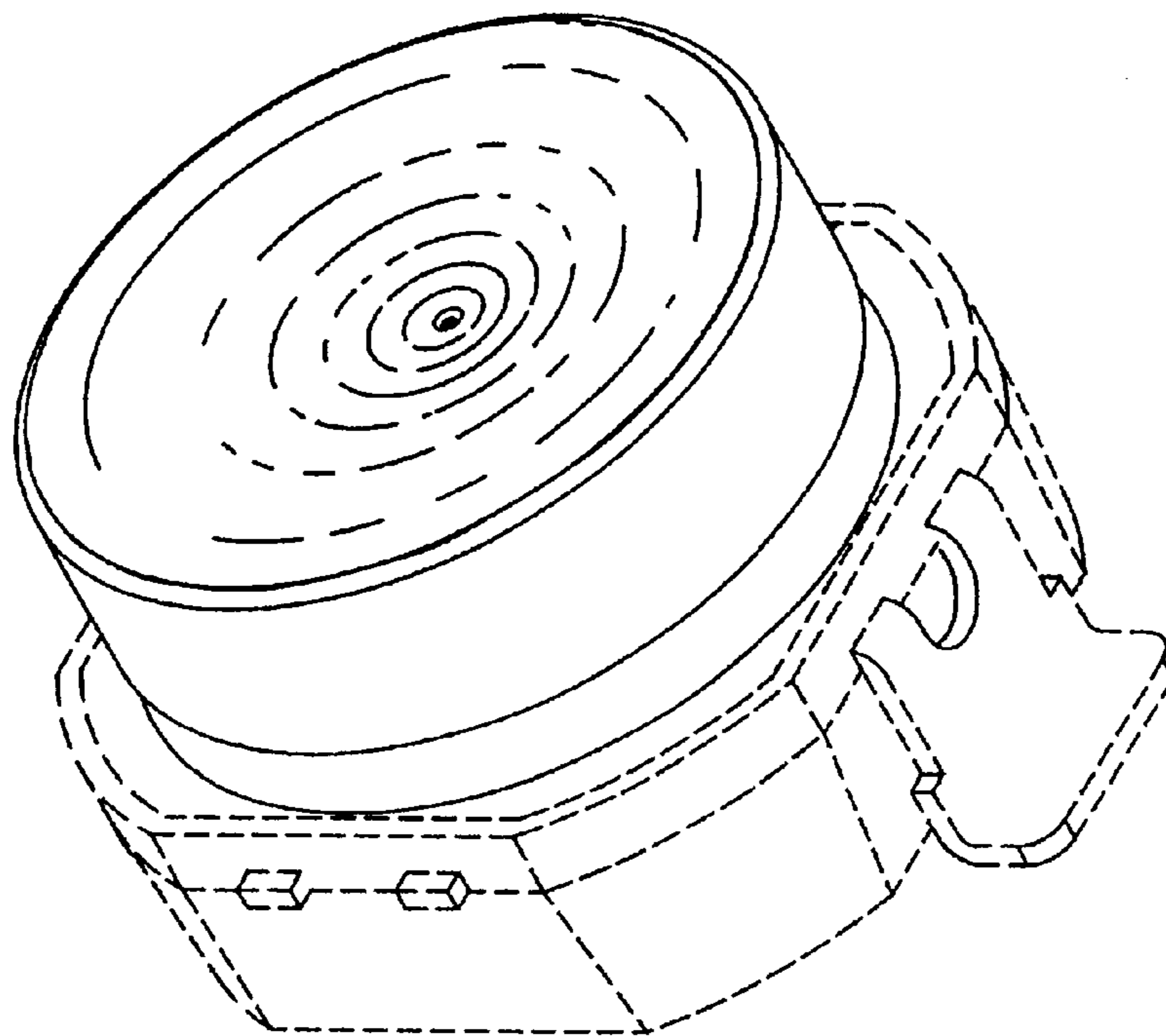


FIG. 5

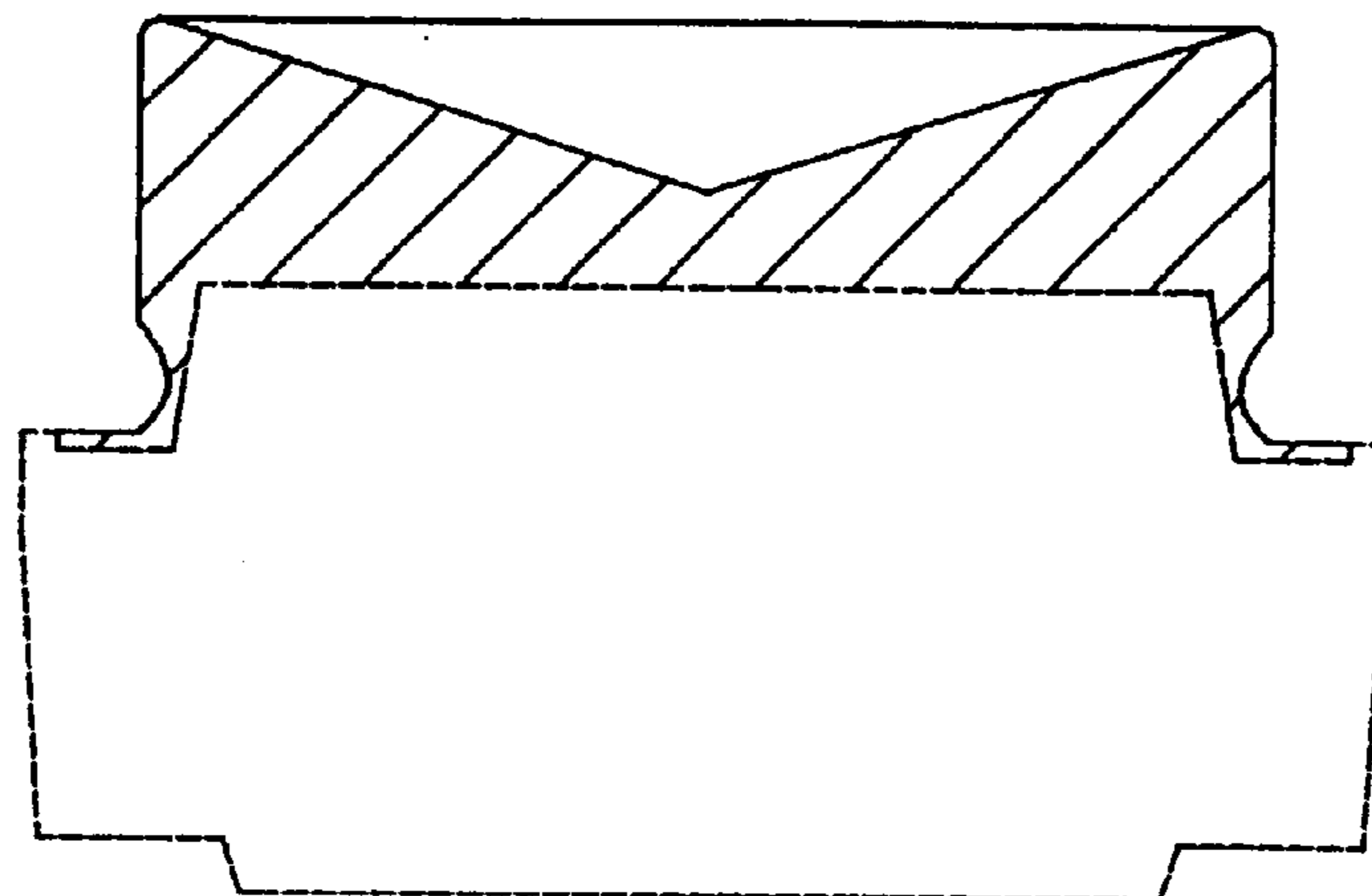


FIG. 6