

US00D523824S

(12) **United States Design Patent**
Lombardi et al.

(10) **Patent No.: US D523,824 S**

(45) **Date of Patent: ** *Jun. 27, 2006**

(54) **COMBINED ROCKER ON-OFF SWITCH
AND TACTILE DIMMER SWITCH**

(75) Inventors: **Alfred J. Lombardi**, Syosset, NY
(US); **Yun Wu**, Bayside, NY (US);
Jenkin P. Hua, Plainsboro, NJ (US)

(73) Assignee: **Leviton Manufacturing Co., Inc.**,
Little Neck, NY (US)

(*) Notice: This patent is subject to a terminal dis-
claimer.

(**) Term: **14 Years**

(21) Appl. No.: **29/219,542**

(22) Filed: **Dec. 16, 2004**

(51) **LOC (8) Cl.** **13-03**

(52) **U.S. Cl.** **D13/169; D13/171**

(58) **Field of Classification Search** D13/169,
D13/171, 170, 174; 174/57, 66; 200/6 R,
200/437, 457, 525, 553, 218, 277.2, 296,
200/297, 295, 302.3, 303, 310, 315, 329,
200/330, 331, 332.1, 333, 335; 307/141,
307/157

See application file for complete search history.

(56) **References Cited**

U.S. PATENT DOCUMENTS

2,740,873 A * 4/1956 Cronk 200/295

D268,564 S * 4/1983 Mack D8/353
4,489,297 A * 12/1984 Haydon et al. 335/207
4,567,375 A * 1/1986 Jimerson et al. 307/98
4,669,804 A * 6/1987 Munroe 439/398
4,924,349 A * 5/1990 Buehler et al. 361/643
D335,283 S * 5/1993 Justiniano et al. D13/171
D336,894 S * 6/1993 Zaretsky et al. D13/171
5,338,910 A * 8/1994 Tsai 200/547
5,637,930 A * 6/1997 Rowen et al. 320/112

* cited by examiner

Primary Examiner—Stella Reid

Assistant Examiner—Selina Sikder

(74) *Attorney, Agent, or Firm*—Paul J. Sutton

(57) **CLAIM**

The ornamental design for a combined rocker on-off switch
and tactile dimmer switch, as shown and described.

DESCRIPTION

FIG. 1 is a perspective view of a combined rocker on-off
switch and tactile dimmer switch showing our new design,
the broken line showing of the switch being for illustrative
purposes only;

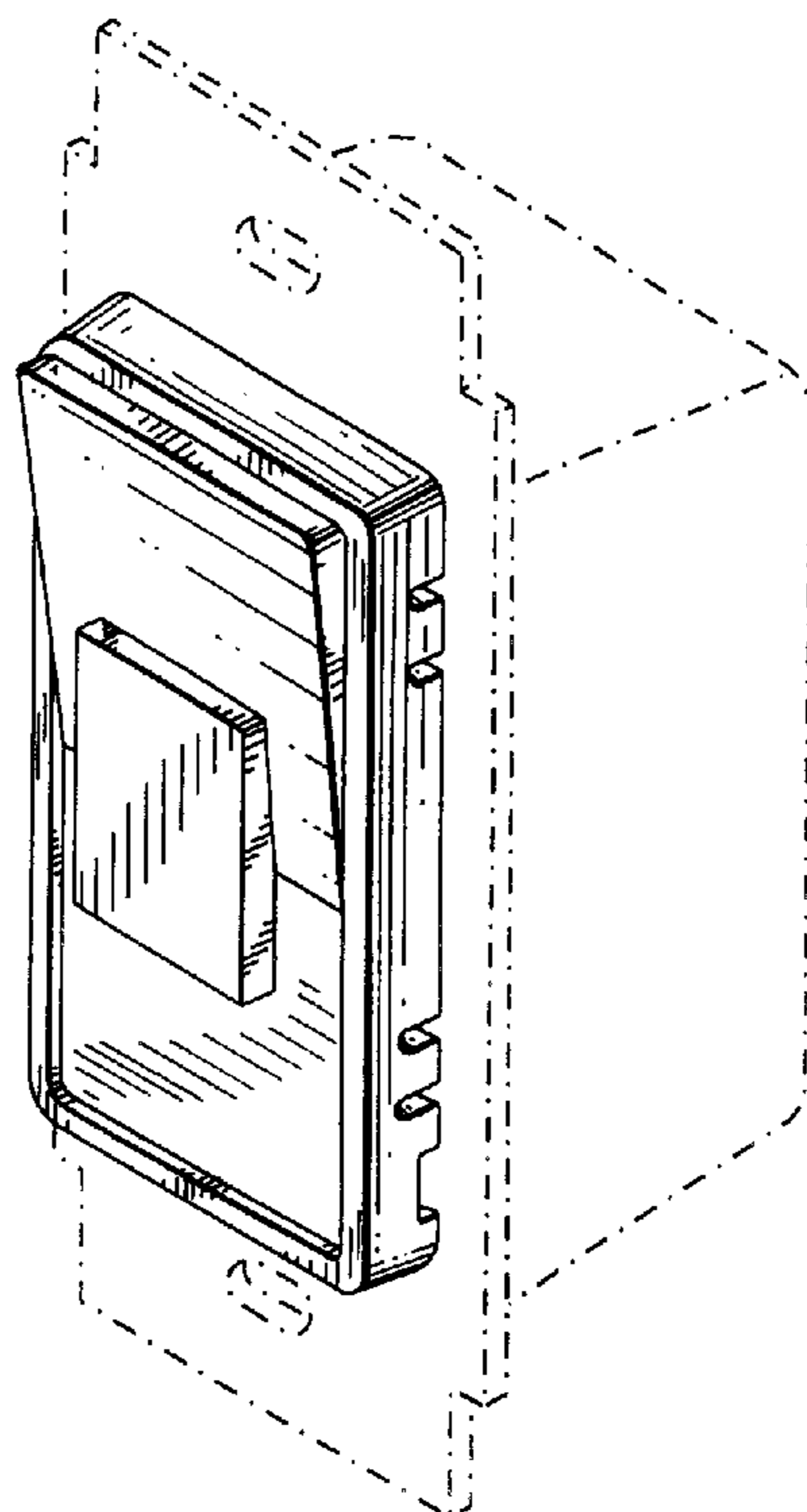
FIG. 2 is a front elevation view thereof;

FIG. 3 is a left side elevation view thereof, the right side
being a mirror image;

FIG. 4 is a top plan view thereof; and,

FIG. 5 is a rear elevation thereof.

1 Claim, 2 Drawing Sheets



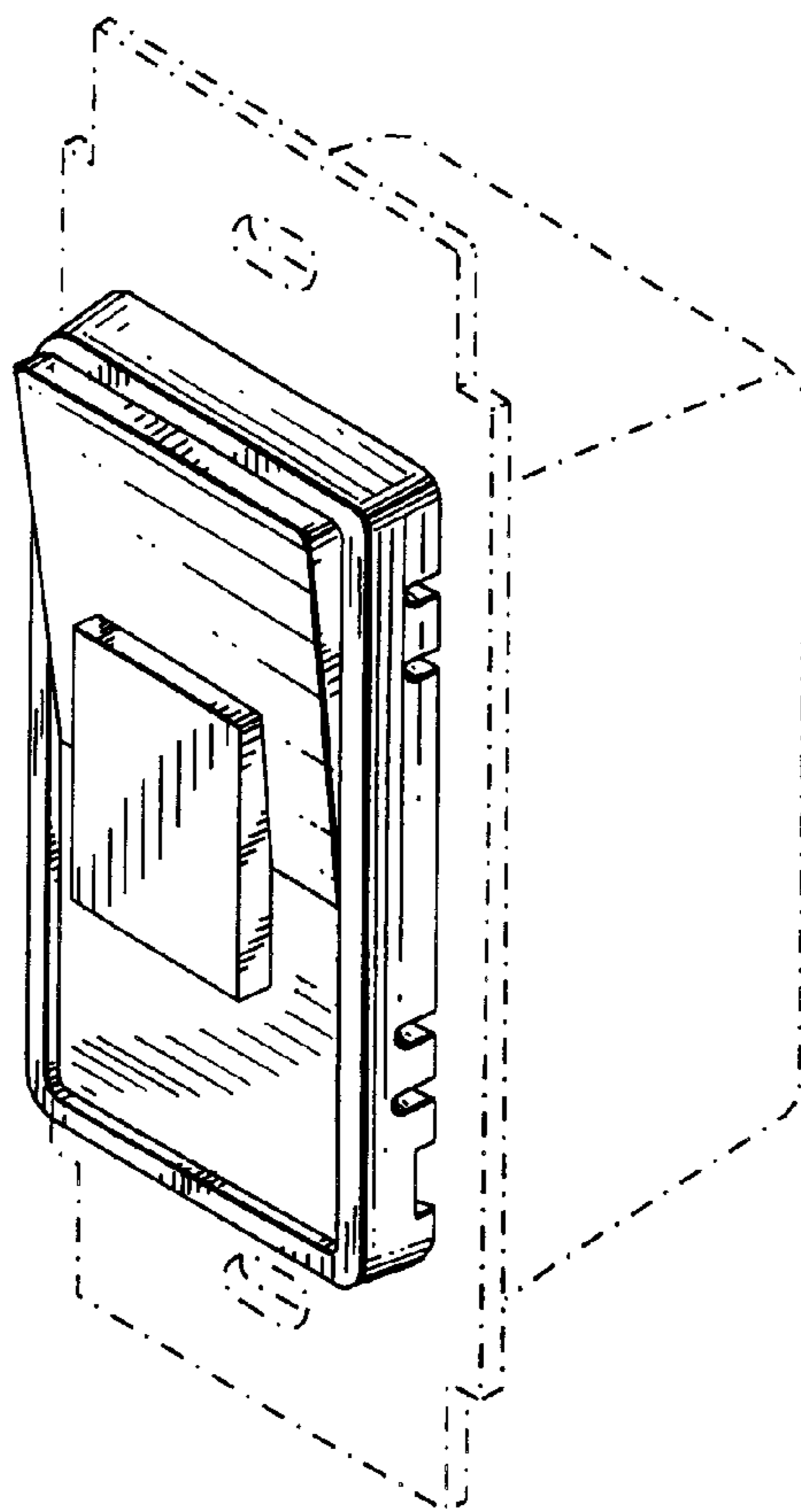


FIG. 1

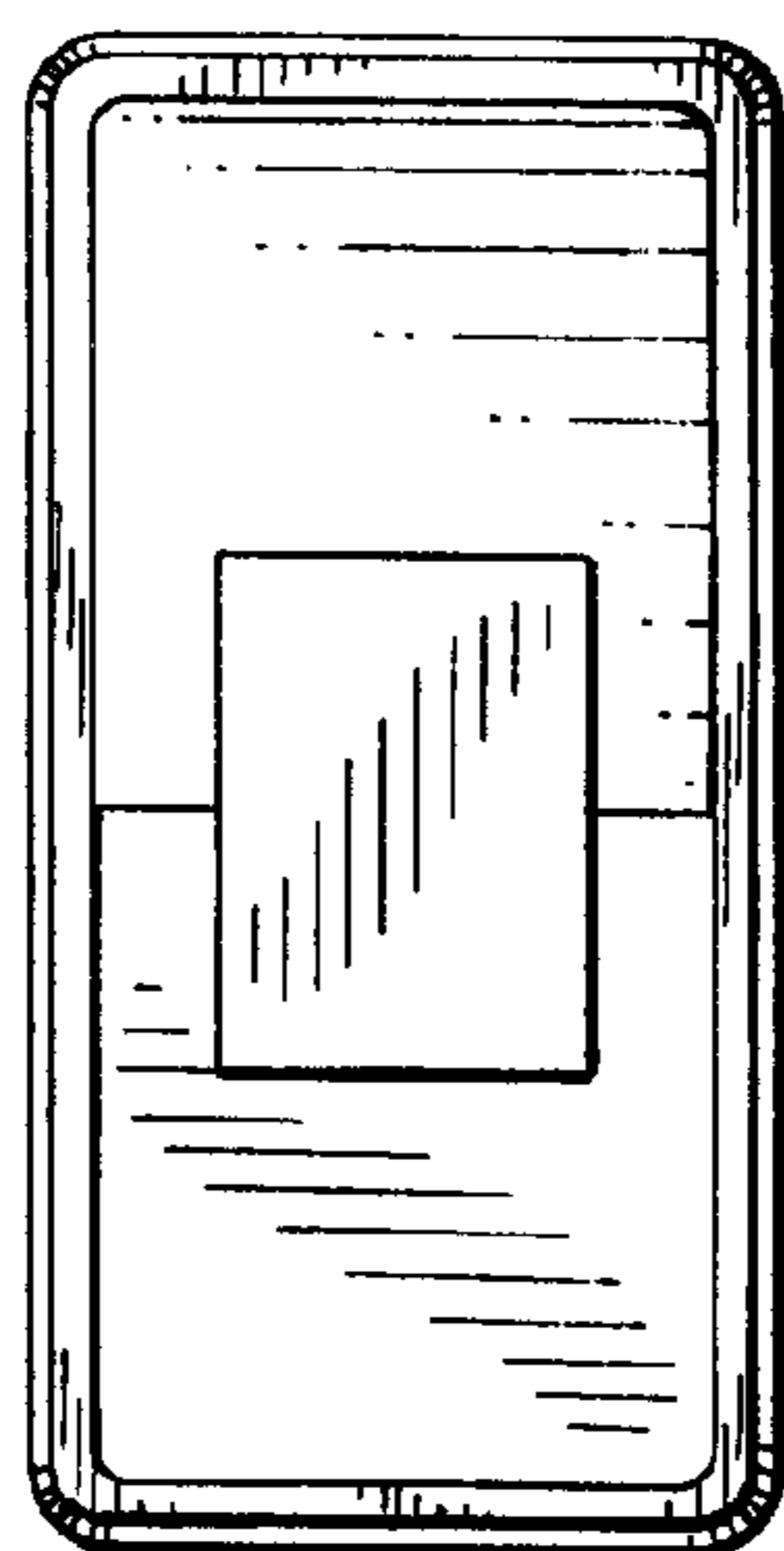


FIG. 2



FIG. 3

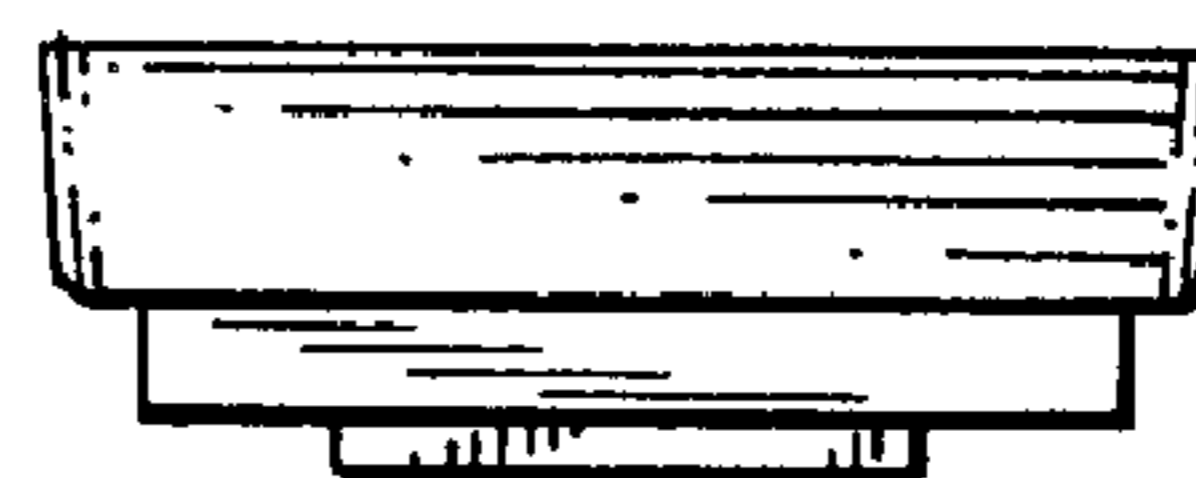


FIG. 4

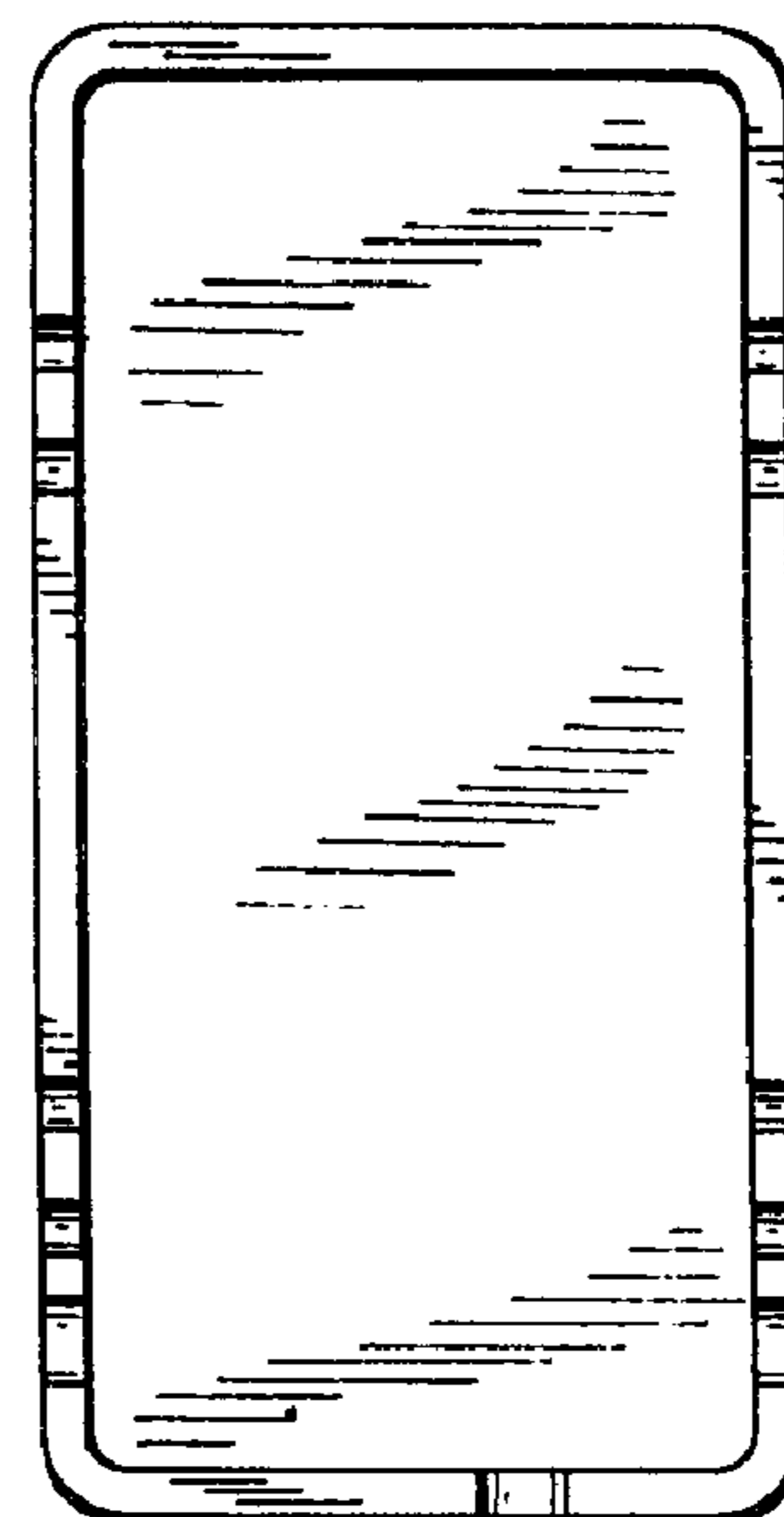


FIG. 5