



US00D523822S

(12) **United States Design Patent** (10) **Patent No.:** **US D523,822 S**
Disbennett et al. (45) **Date of Patent:** **** *Jun. 27, 2006**

(54) **FUSED DISTRIBUTION BLOCK**
(75) Inventors: **Scott Disbennett**, Lake Mary, FL (US);
John C. Williams, Covina, CA (US)

(73) Assignee: **Metra Electronics Corporation**, Holly Hill, FL (US)

(*) Notice: This patent is subject to a terminal disclaimer.

(**) Term: **14 Years**

(21) Appl. No.: **29/222,533**

(22) Filed: **Feb. 2, 2005**

(51) **LOC (8) Cl.** **13-03**

(52) **U.S. Cl.** **D13/161; D13/178**

(58) **Field of Classification Search** D13/160,
D13/161, 178; 337/181, 186, 196, 199, 205,
337/213; 361/600, 626, 642, 646, 833, 834,
361/809, 835; 439/76.12, 621, 622, 698,
439/830, 831, 832

See application file for complete search history.

(56) **References Cited**

U.S. PATENT DOCUMENTS

5,167,541	A	*	12/1992	Alves et al.	439/622
5,594,403	A	*	1/1997	Taga et al.	337/186
5,618,209	A		4/1997	Lin et al.	439/621
D381,010	S		7/1997	Ansley	D13/178
5,648,749	A		7/1997	Lin et al.	337/205
D406,111	S	*	2/1999	Awbrey	D13/178
6,004,159	A		12/1999	Liang	439/621
6,162,097	A		12/2000	Liang	439/621

D460,742	S	*	7/2002	Iby et al.	D13/161
D460,949	S	*	7/2002	Iby et al.	D13/161
D490,381	S	*	5/2004	Dejan	D13/178
6,753,754	B1	*	6/2004	Black et al.	337/215

* cited by examiner

Primary Examiner—Stella Reid

Assistant Examiner—Selina Sikder

(74) *Attorney, Agent, or Firm*—John Wiley Horton

(57) **CLAIM**

We claim the ornamental design for a fused distribution block, as shown and described.

DESCRIPTION

FIG. 1 is a left-front perspective view of a fused distribution block showing a first embodiment of our new design;

FIG. 2 is a top plan view of FIG. 1;

FIG. 3 is a bottom plan view of FIG. 1;

FIG. 4 is a left side elevation of FIG. 1. The right side is a mirror image thereof;

FIG. 5 is a rear elevation of FIG. 1;

FIG. 6 is a front elevation of FIG. 1;

FIG. 7 is a left-front perspective view of a second embodiment of a fused distribution block showing our new design;

FIG. 8 is a top plan view of FIG. 7;

FIG. 9 is a bottom plan view of FIG. 7;

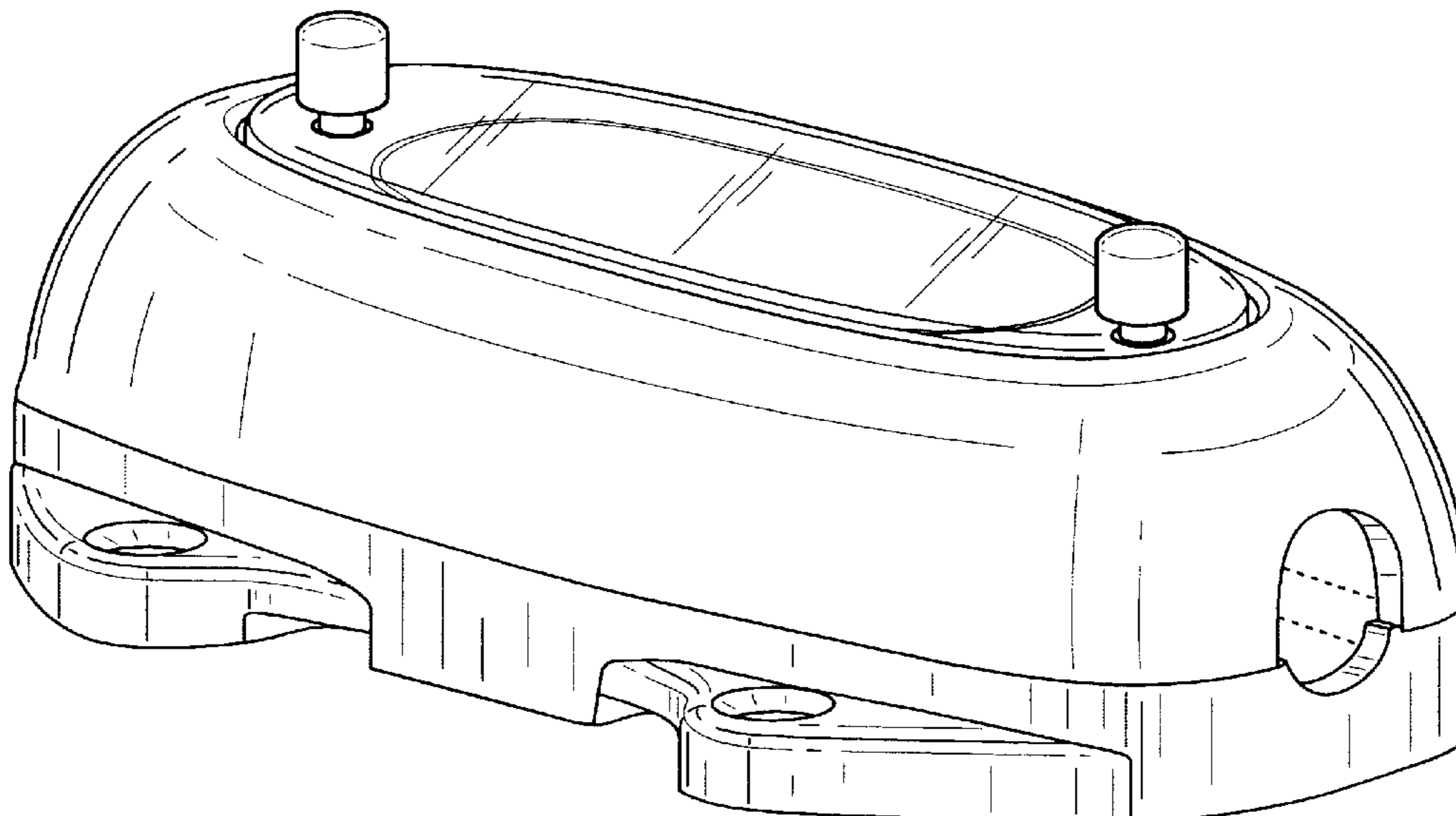
FIG. 10 is a left side elevation of FIG. 7. The right side is a mirror image thereof;

FIG. 11 is a front elevation of FIG. 7; and,

FIG. 12 is a rear elevation of FIG. 7.

The broken line showing of the environment is for illustrative purpose only and forms no part of the claimed design.

1 Claim, 8 Drawing Sheets



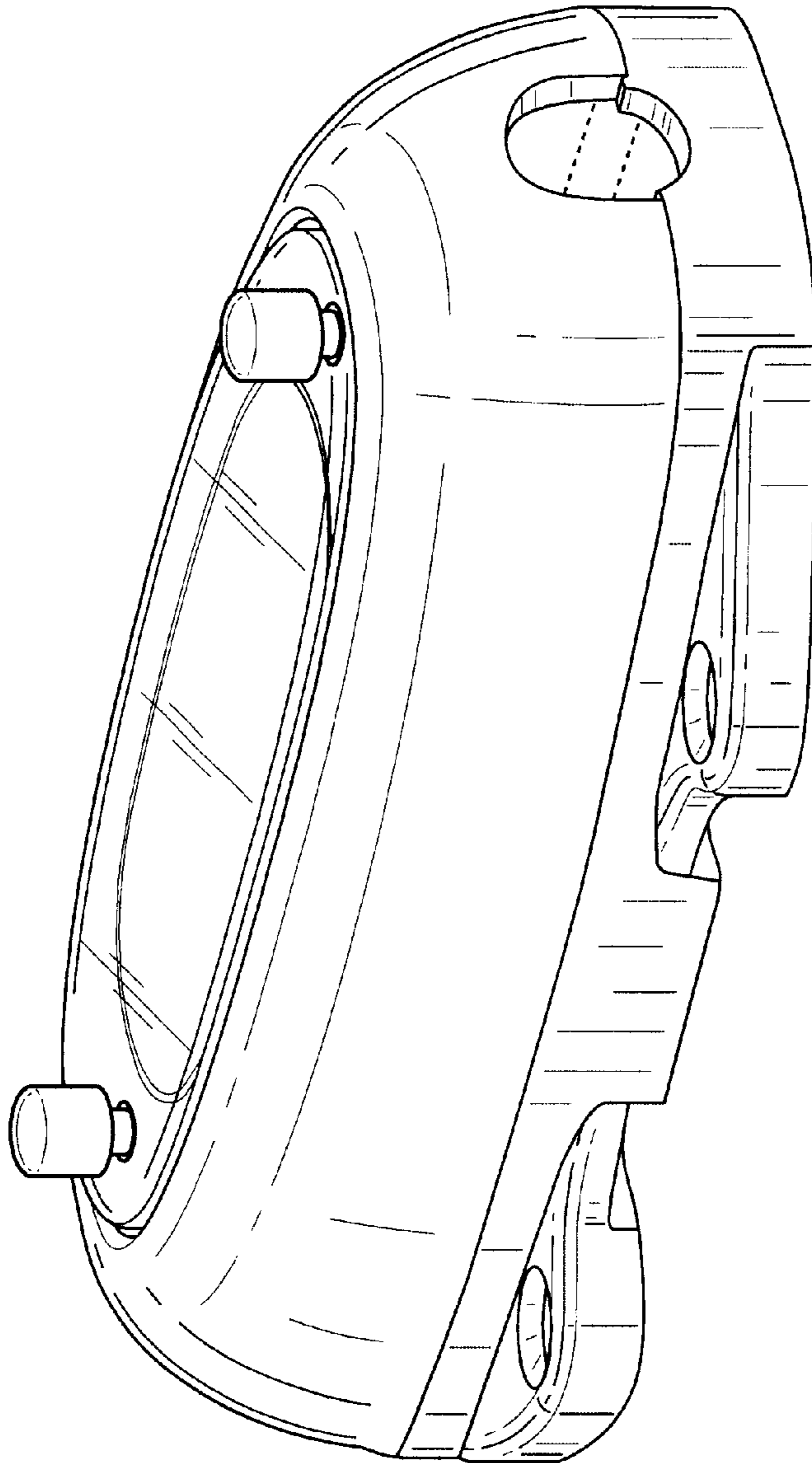


FIG. 1

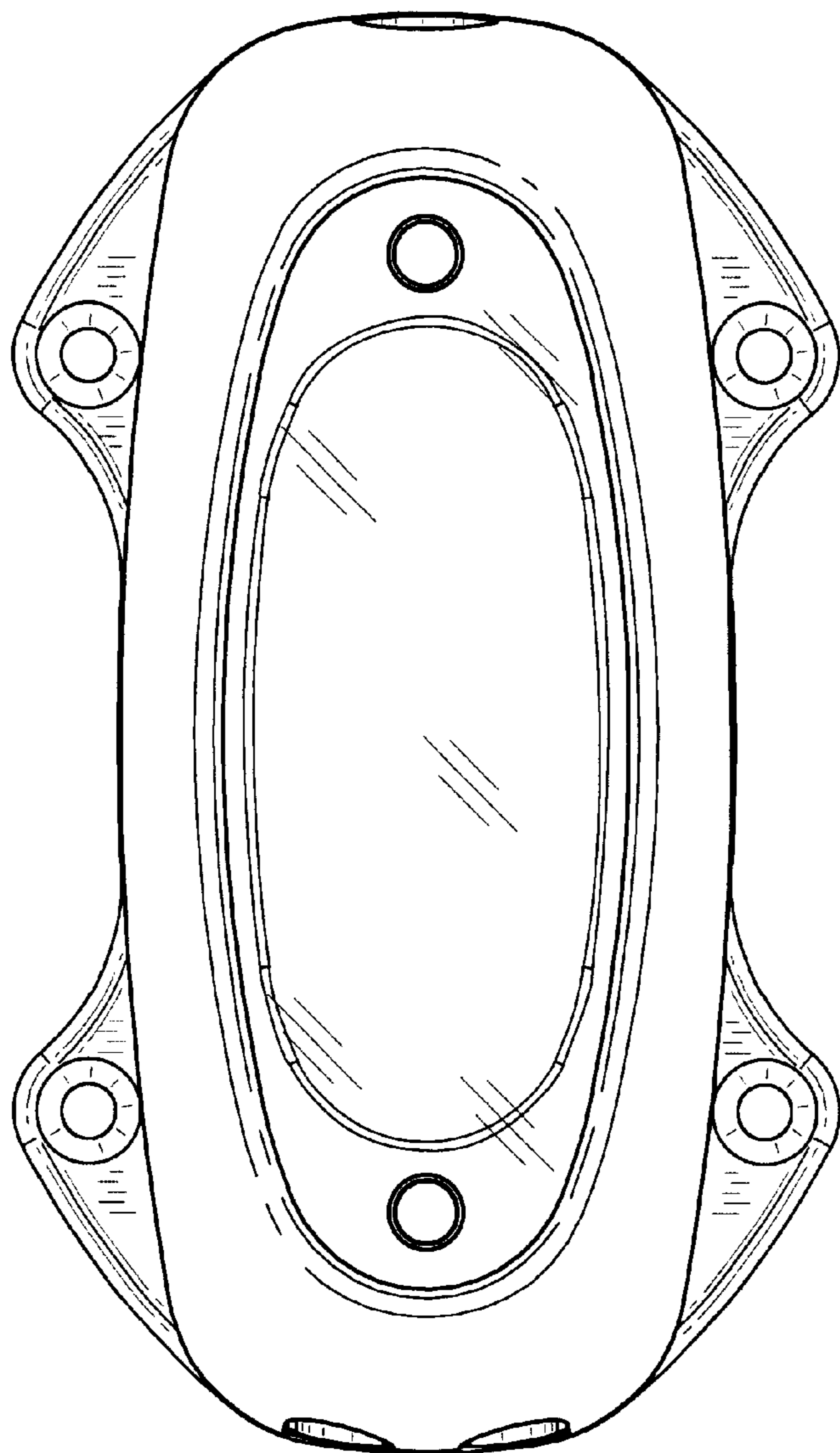


FIG. 2

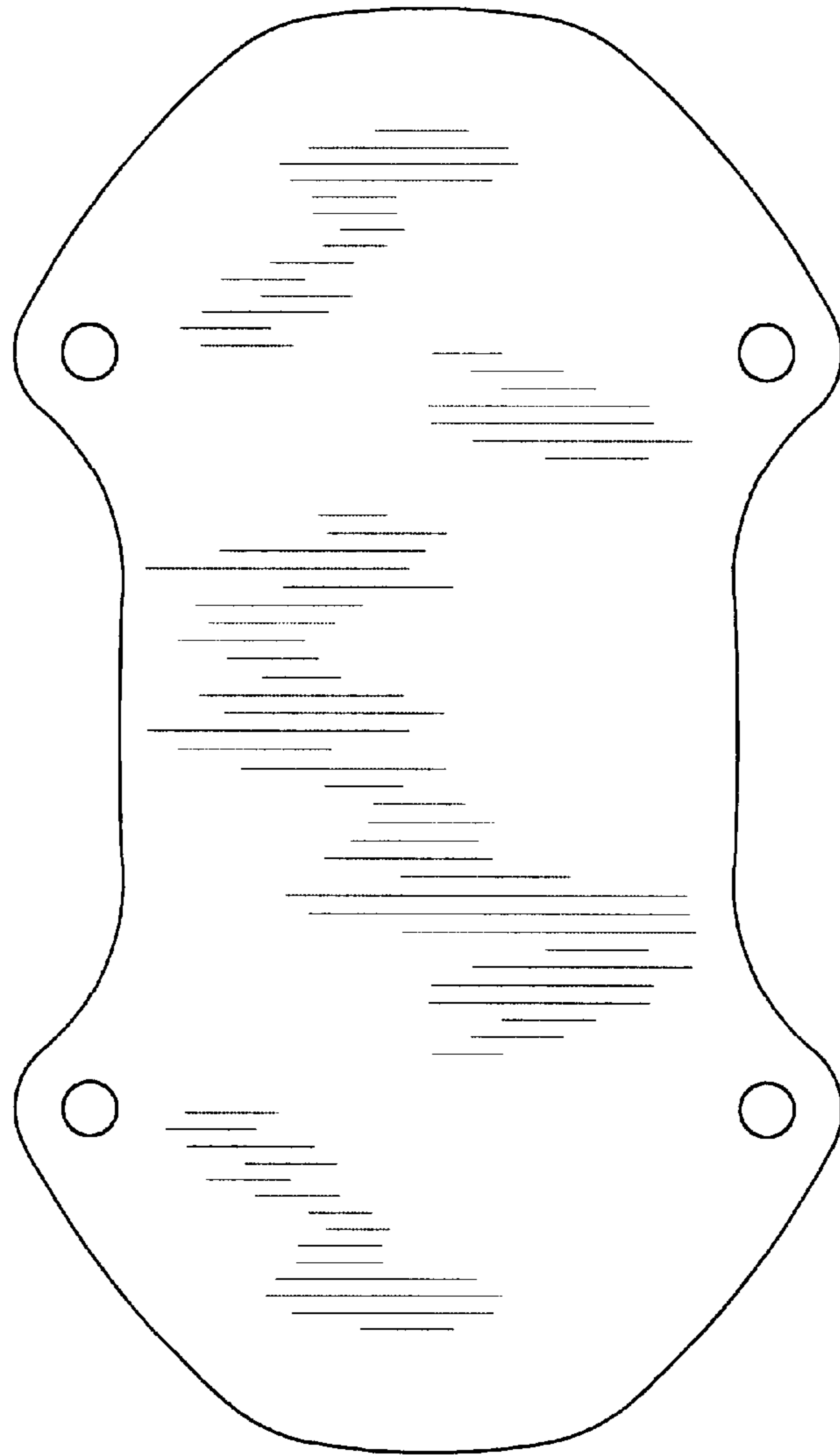


FIG. 3

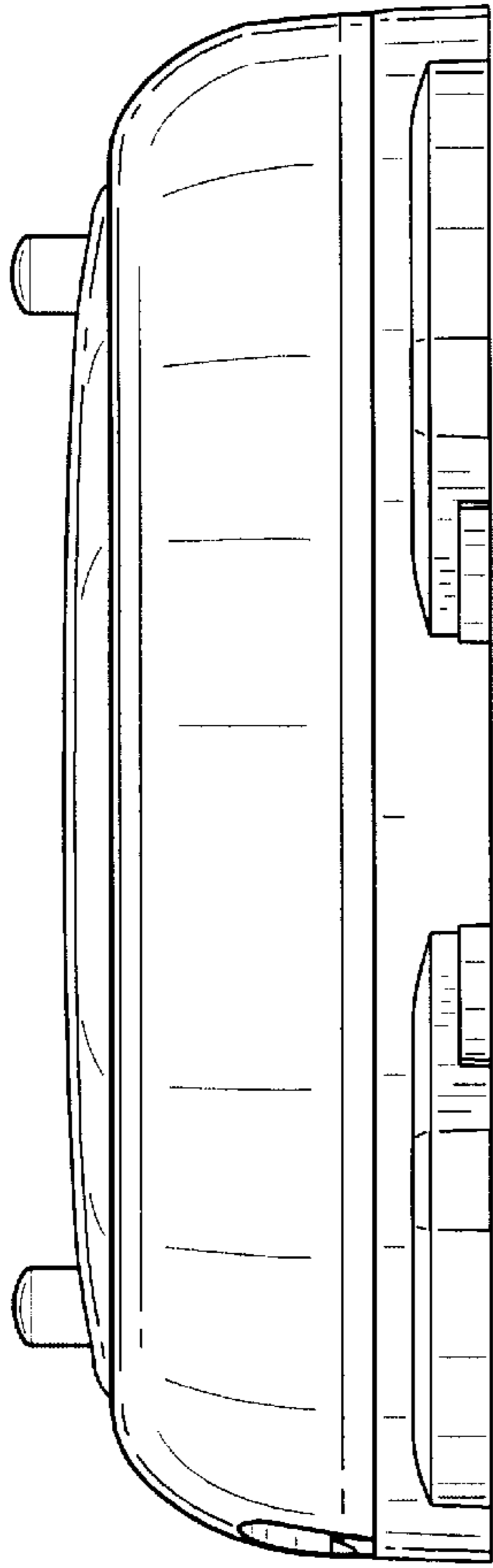


FIG. 4

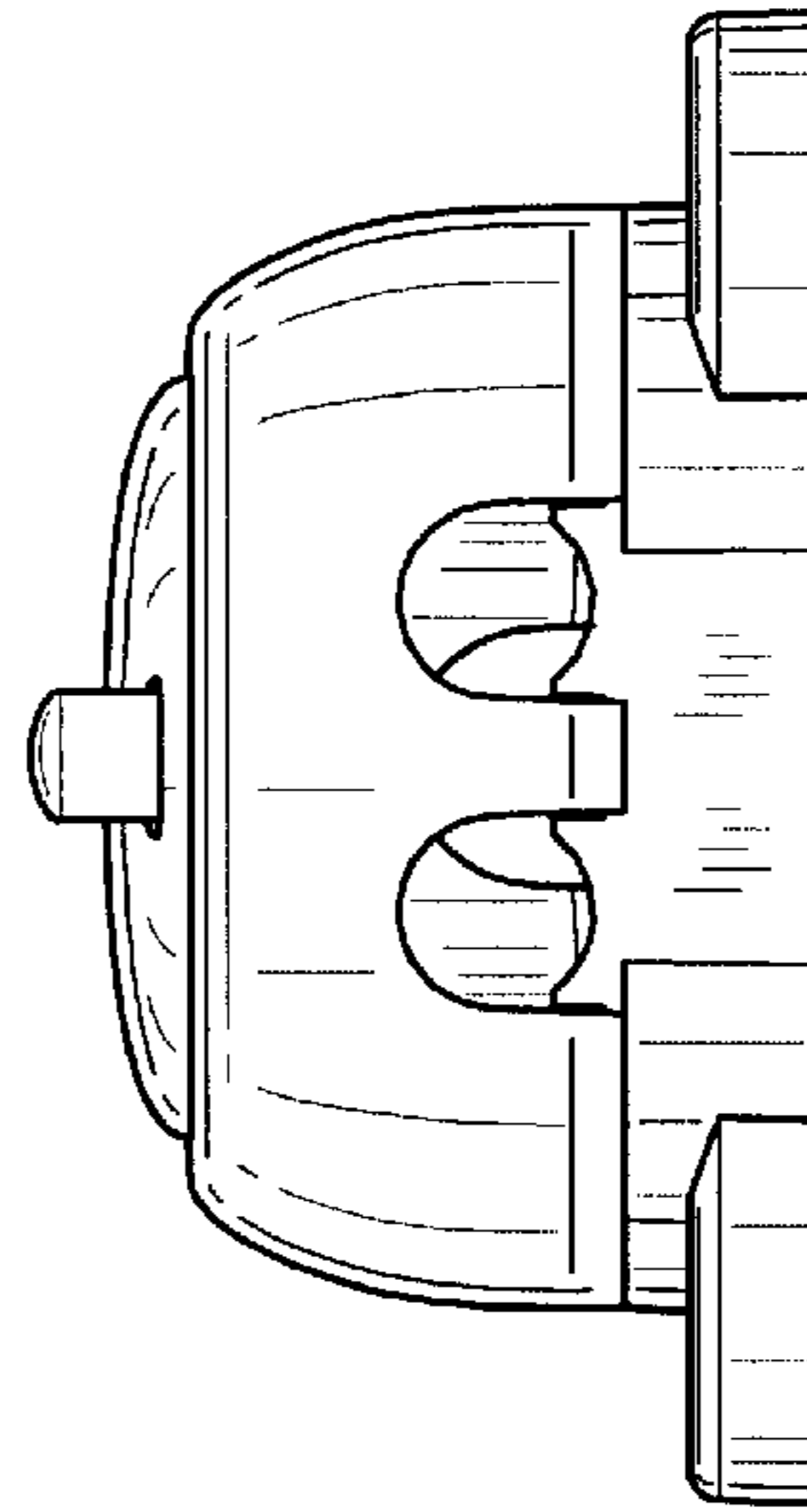


FIG. 5

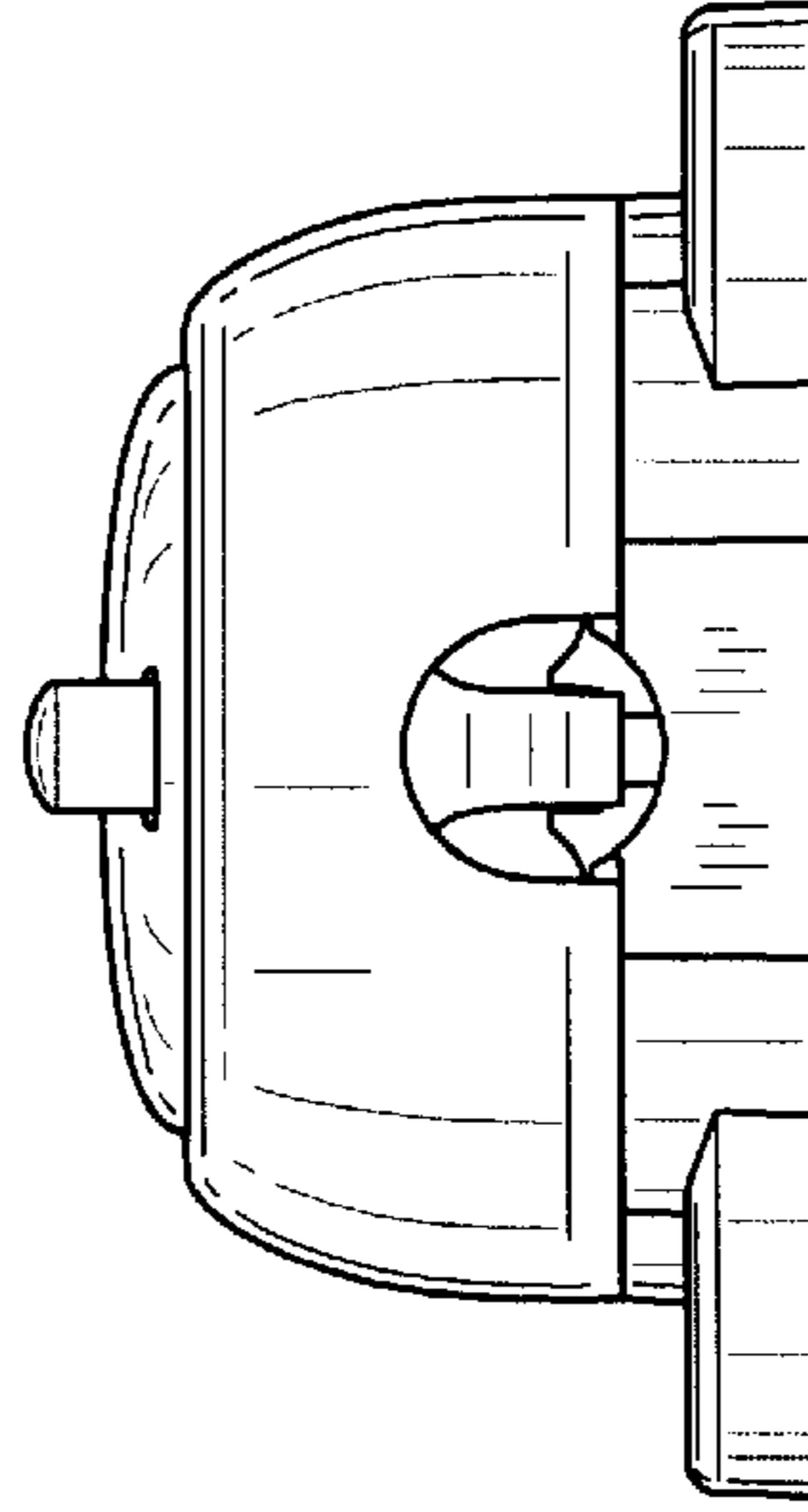


FIG. 6

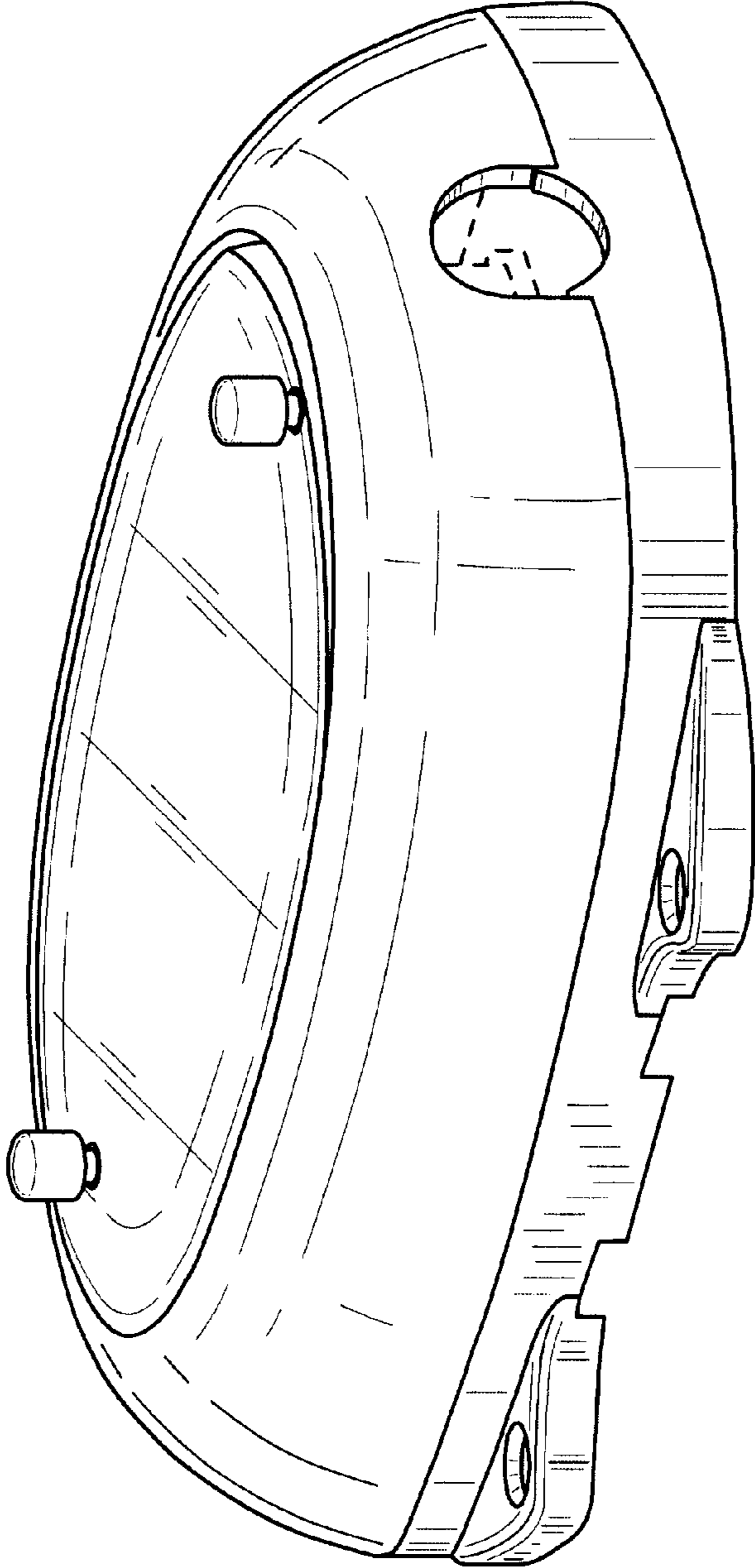


FIG. 7

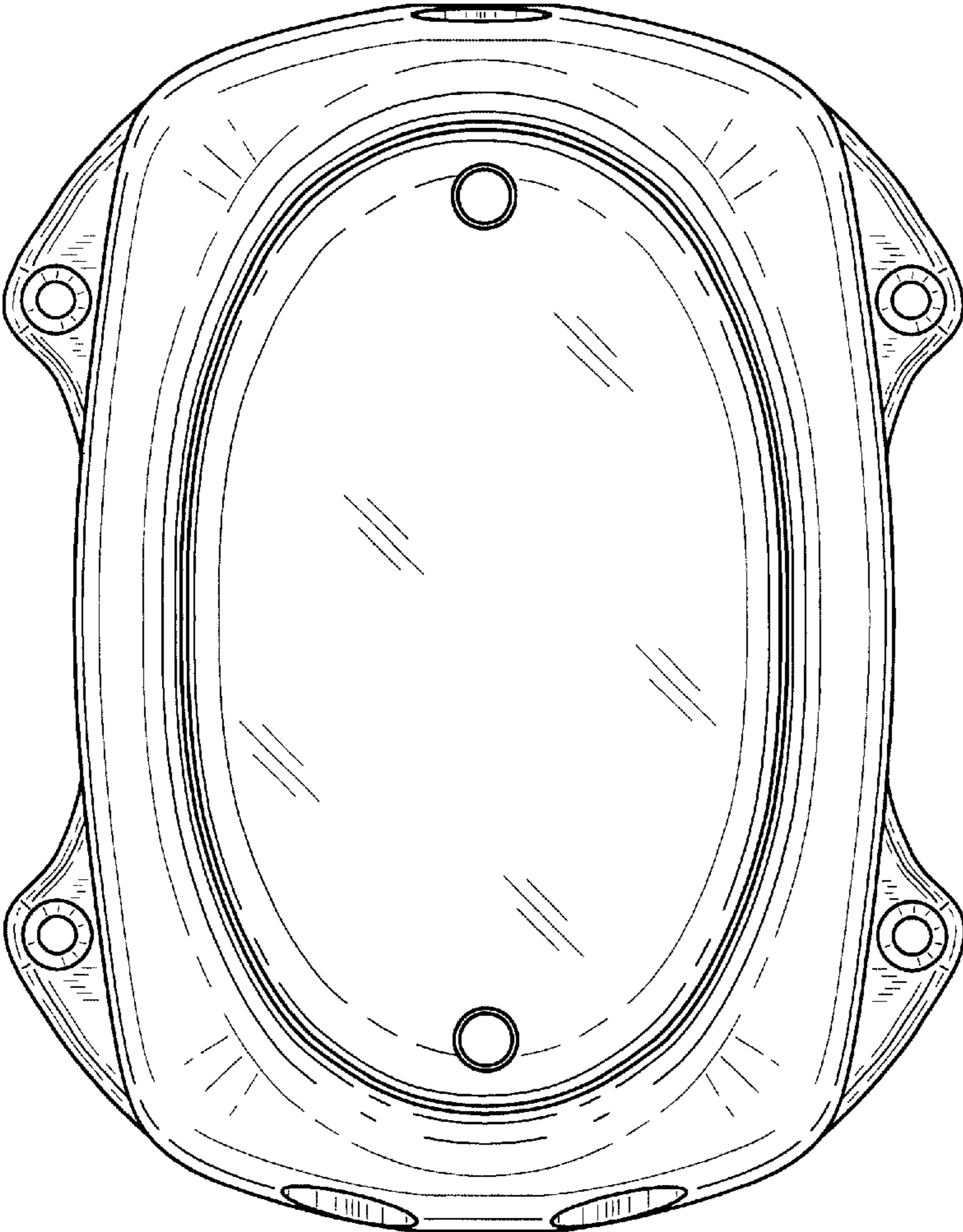


FIG. 8

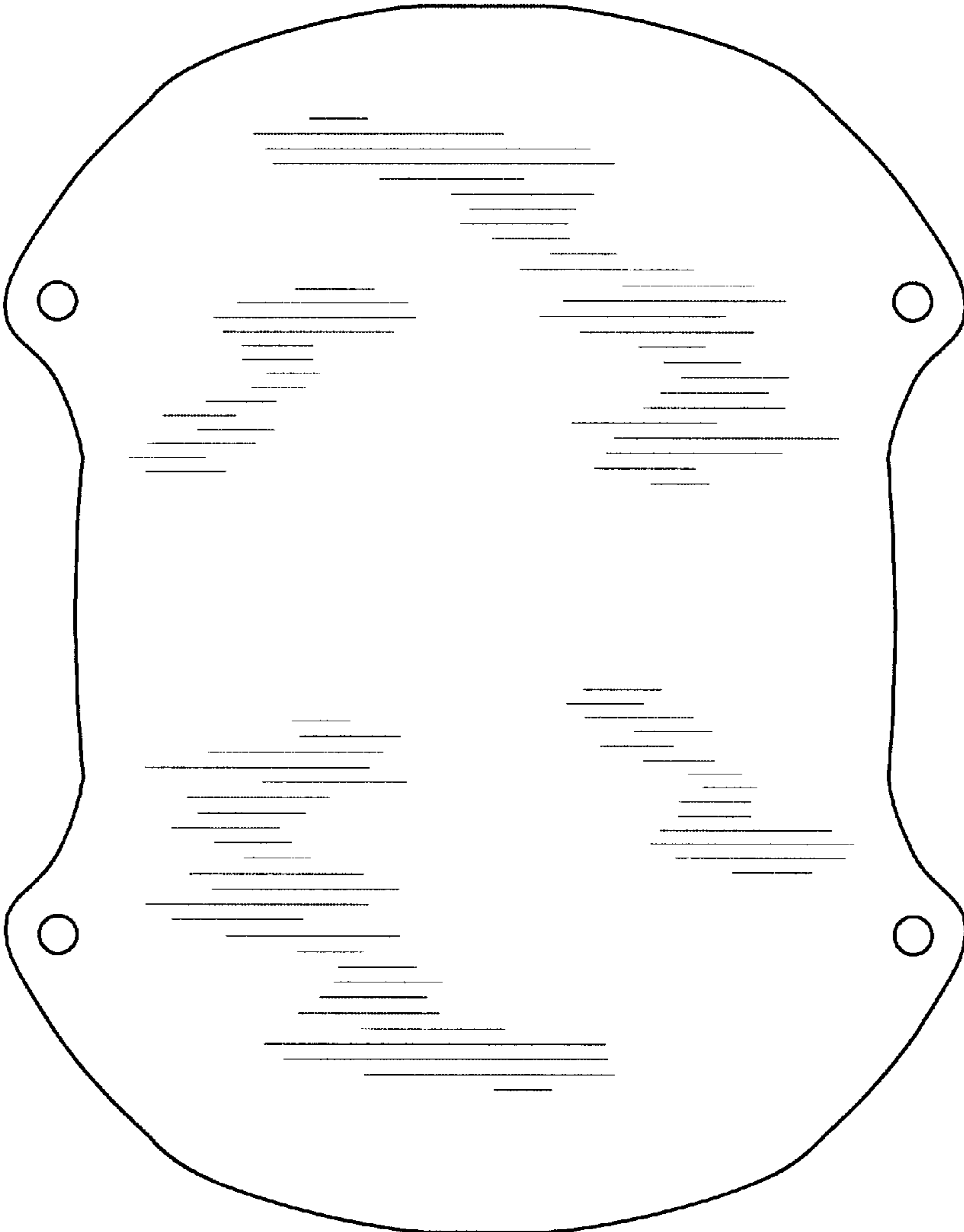


FIG. 9

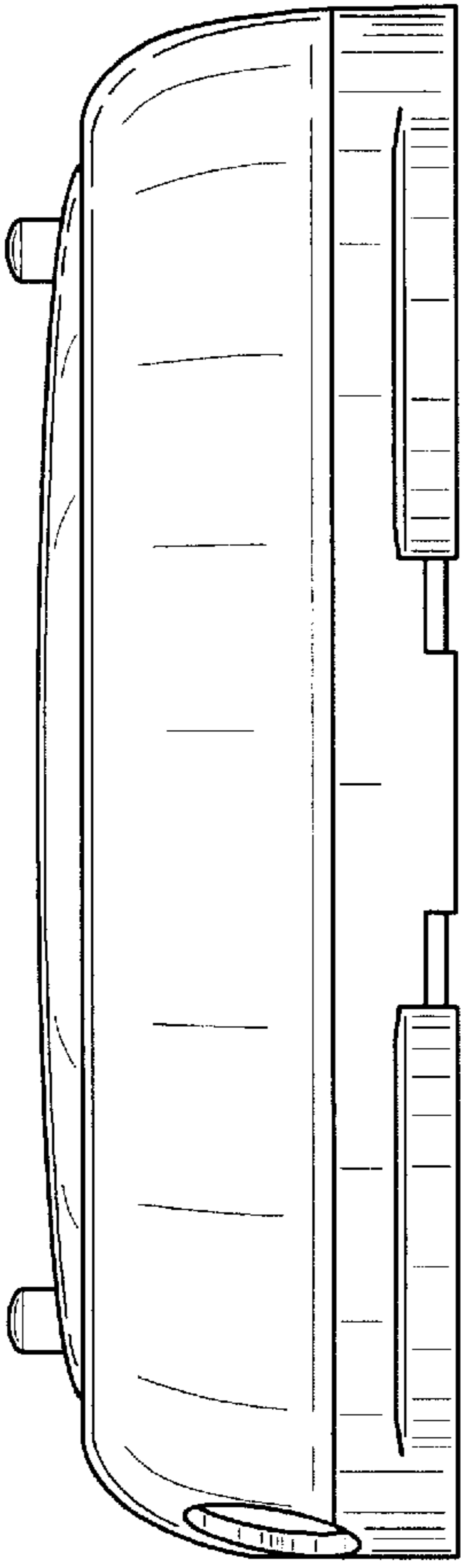


FIG. 10

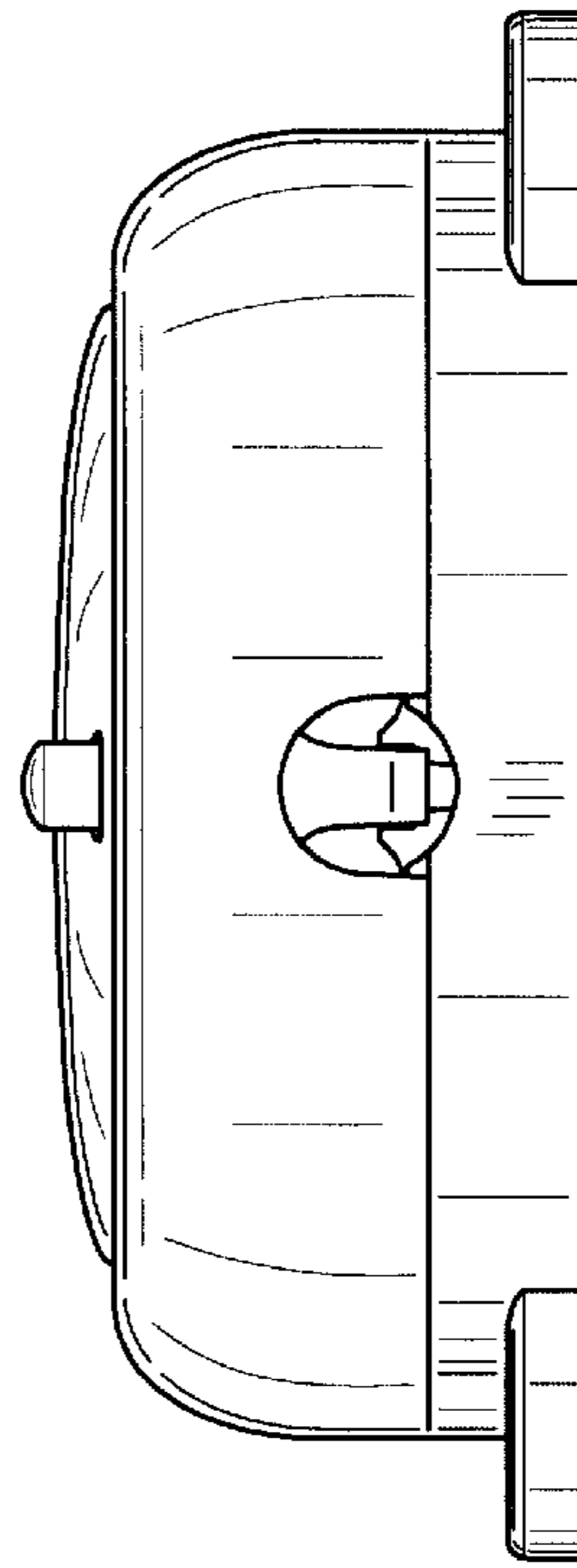


FIG. 11

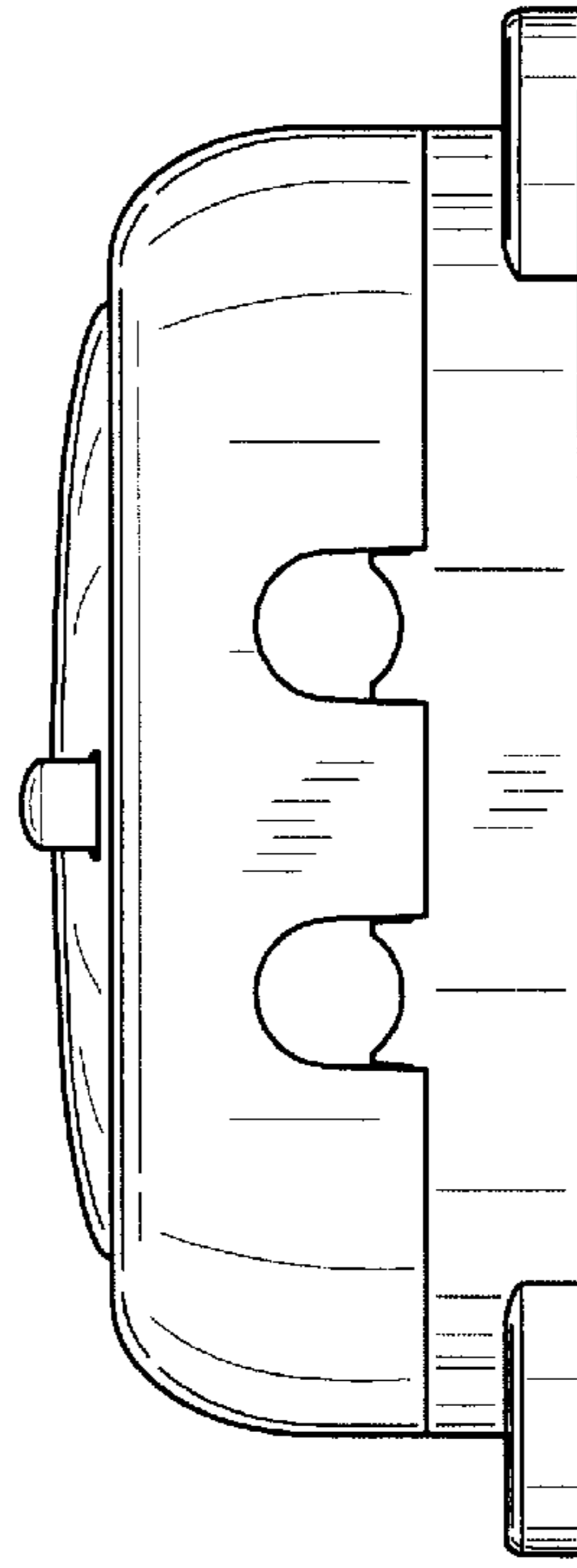


FIG. 12