

US00D523817S

(12) **United States Design Patent**  
**Nishio et al.**

(10) **Patent No.:** **US D523,817 S**  
(45) **Date of Patent:** **\*\* Jun. 27, 2006**

(54) **CONNECTOR**

(75) Inventors: **Atsushi Nishio**, Tama (JP); **Yoshinori Ohta**, Tama (JP); **Yasuhiko Shinohara**, Tama (JP)

(73) Assignee: **Mitsumi Electric Co., Ltd.**, Tokyo (JP)

(\*\*) Term: **14 Years**

(21) Appl. No.: **29/223,248**

(22) Filed: **Feb. 14, 2005**

(30) **Foreign Application Priority Data**

Nov. 15, 2004 (JP) ..... 2004-034784

(51) **LOC (8) Cl.** ..... **13-03**

(52) **U.S. Cl.** ..... **D13/147**

(58) **Field of Classification Search** ..... D13/133,  
D13/146-147, 154, 199; 439/79, 83, 108,  
439/181, 607-610, 639

See application file for complete search history.

(56) **References Cited**

**U.S. PATENT DOCUMENTS**

5,338,227 A \* 8/1994 Nakamura ..... 439/607  
6,293,825 B1 \* 9/2001 Huang ..... 439/607

D461,454 S \* 8/2002 Hagiwara ..... D13/147  
D462,326 S \* 9/2002 Okamoto ..... D13/147  
D462,663 S \* 9/2002 Hagiwara ..... D13/147  
6,475,033 B1 \* 11/2002 Zhu et al. .... 439/607  
D478,050 S \* 8/2003 Nishio et al. .... D13/147  
D478,320 S \* 8/2003 Suzuki et al. .... D13/147  
D481,681 S \* 11/2003 Takahashi ..... D13/147  
D482,658 S \* 11/2003 Shao ..... D13/147  
D509,799 S \* 9/2005 Tsai ..... D13/147

\* cited by examiner

*Primary Examiner*—Prabhakar Deshmukh

*Assistant Examiner*—Daniel Bui

(74) *Attorney, Agent, or Firm*—Sughrue Mion, PLLC

(57) **CLAIM**

The ornamental design for a connector, as shown.

**DESCRIPTION**

FIG. 1 is a perspective view of the top, front, and right side of a connector showing our new design;

FIG. 2 is a top plan view thereof;

FIG. 3 is a front elevational view thereof;

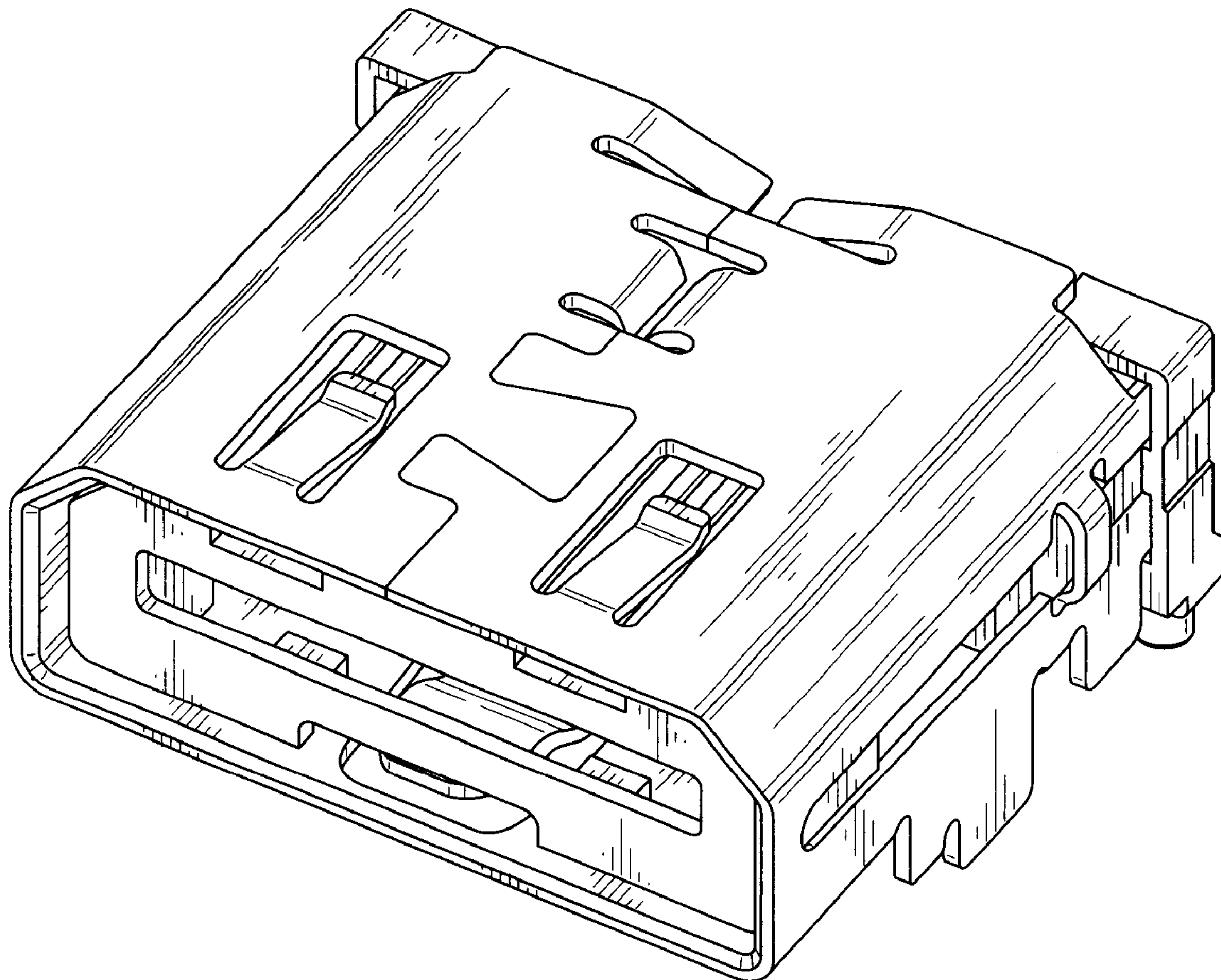
FIG. 4 is a right side elevational view thereof;

FIG. 5 is a left side elevational view thereof;

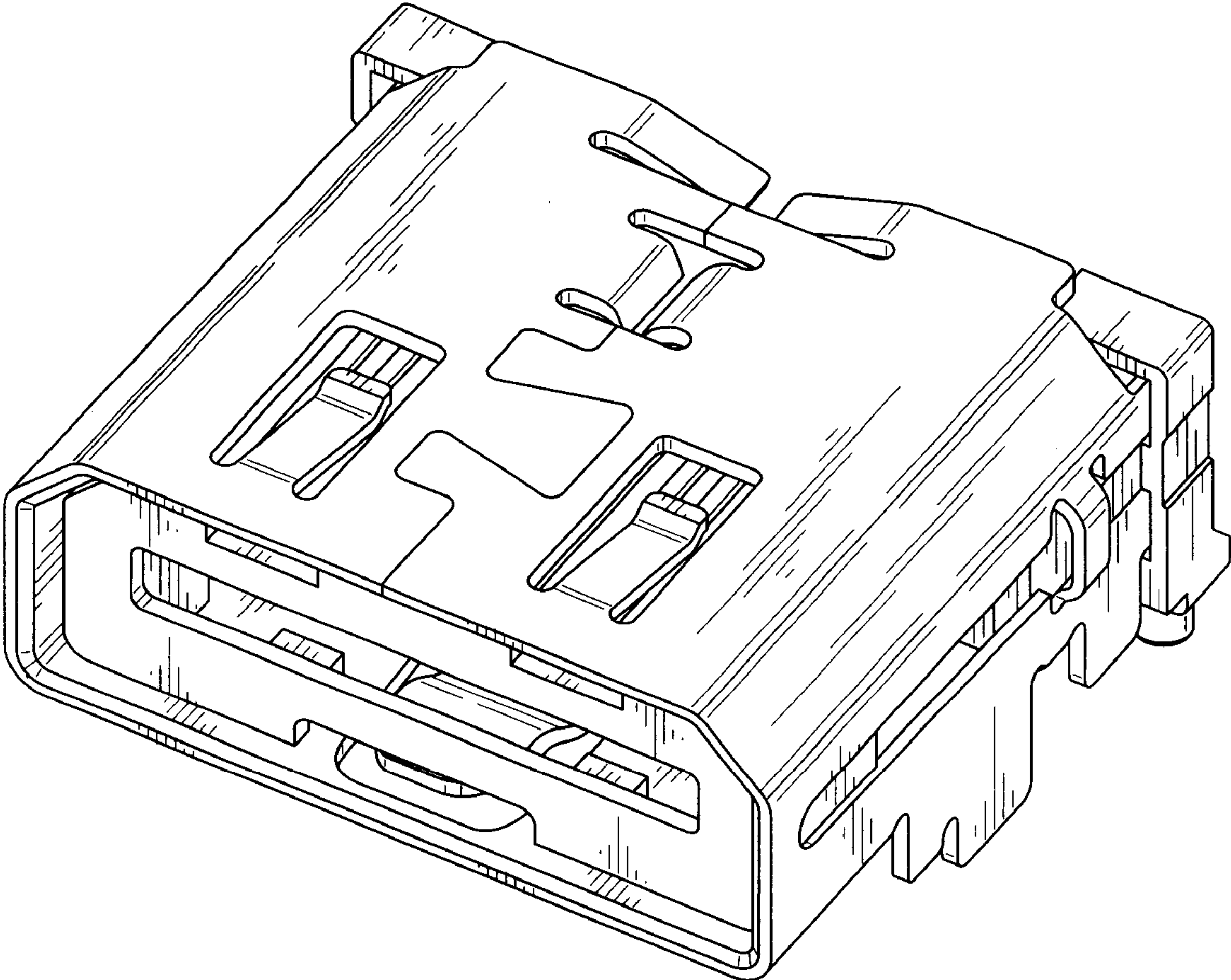
FIG. 6 is a rear elevational view thereof; and,

FIG. 7 is a bottom plan view thereof.

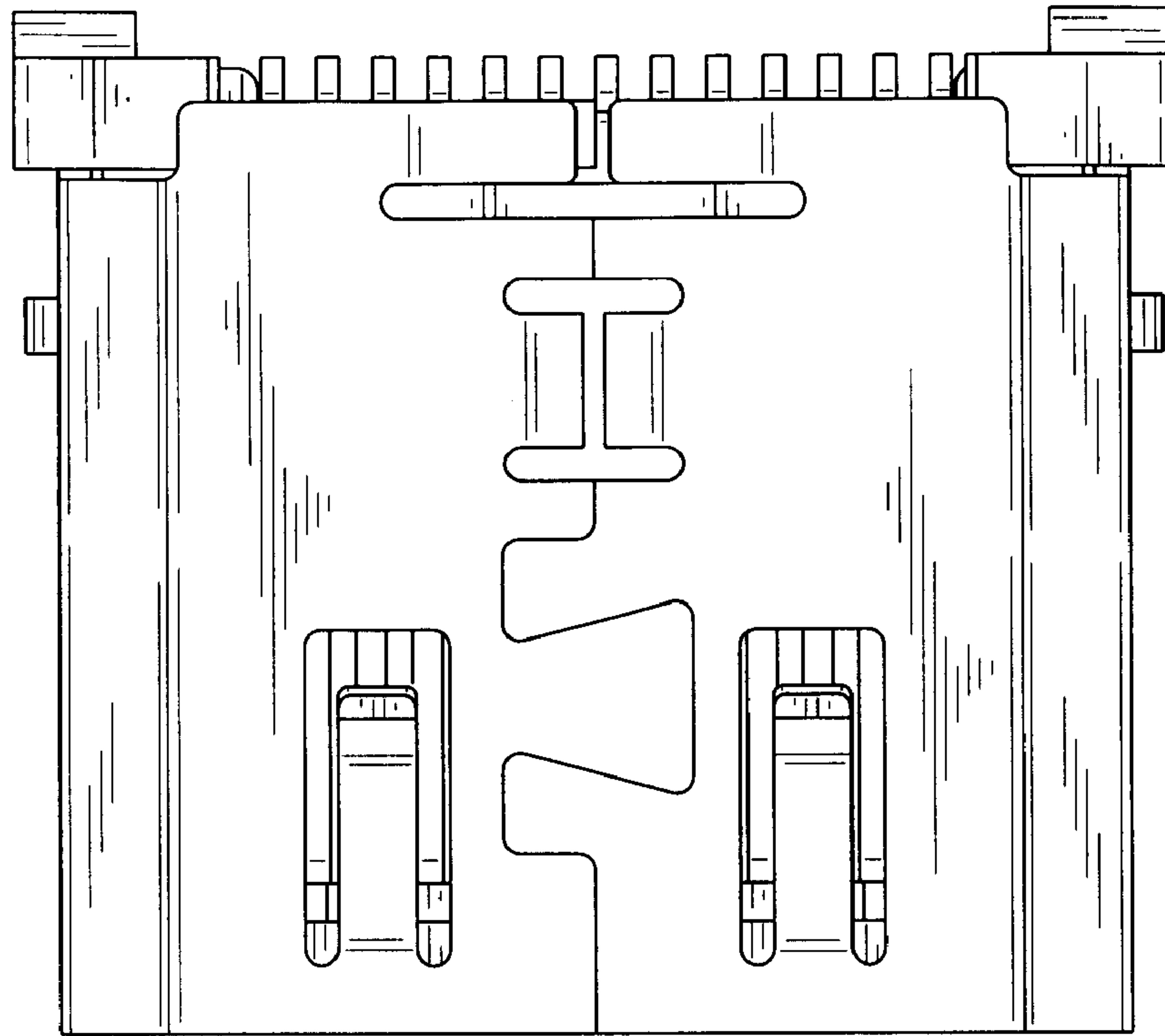
**1 Claim, 4 Drawing Sheets**



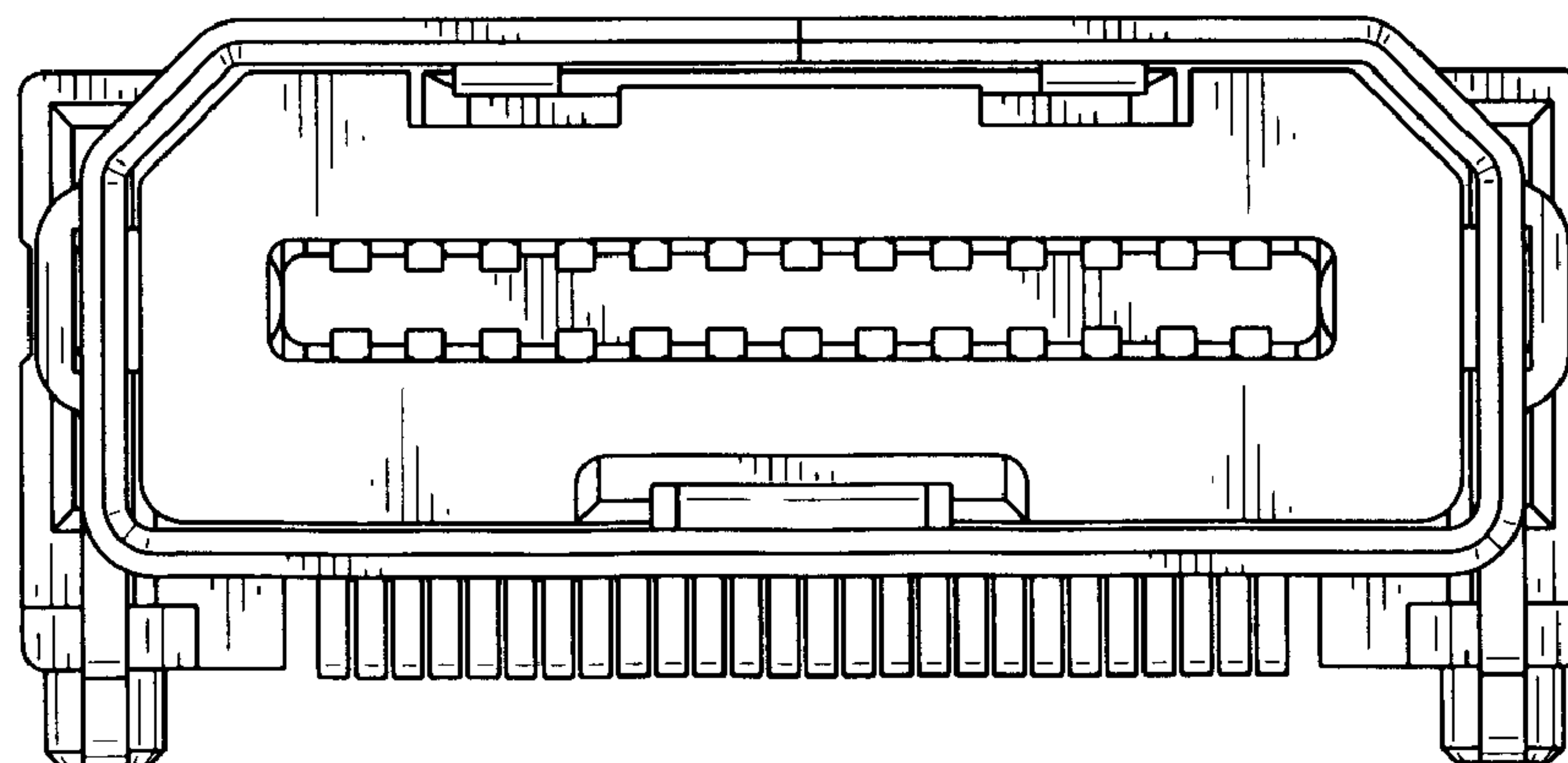
**FIG. 1**



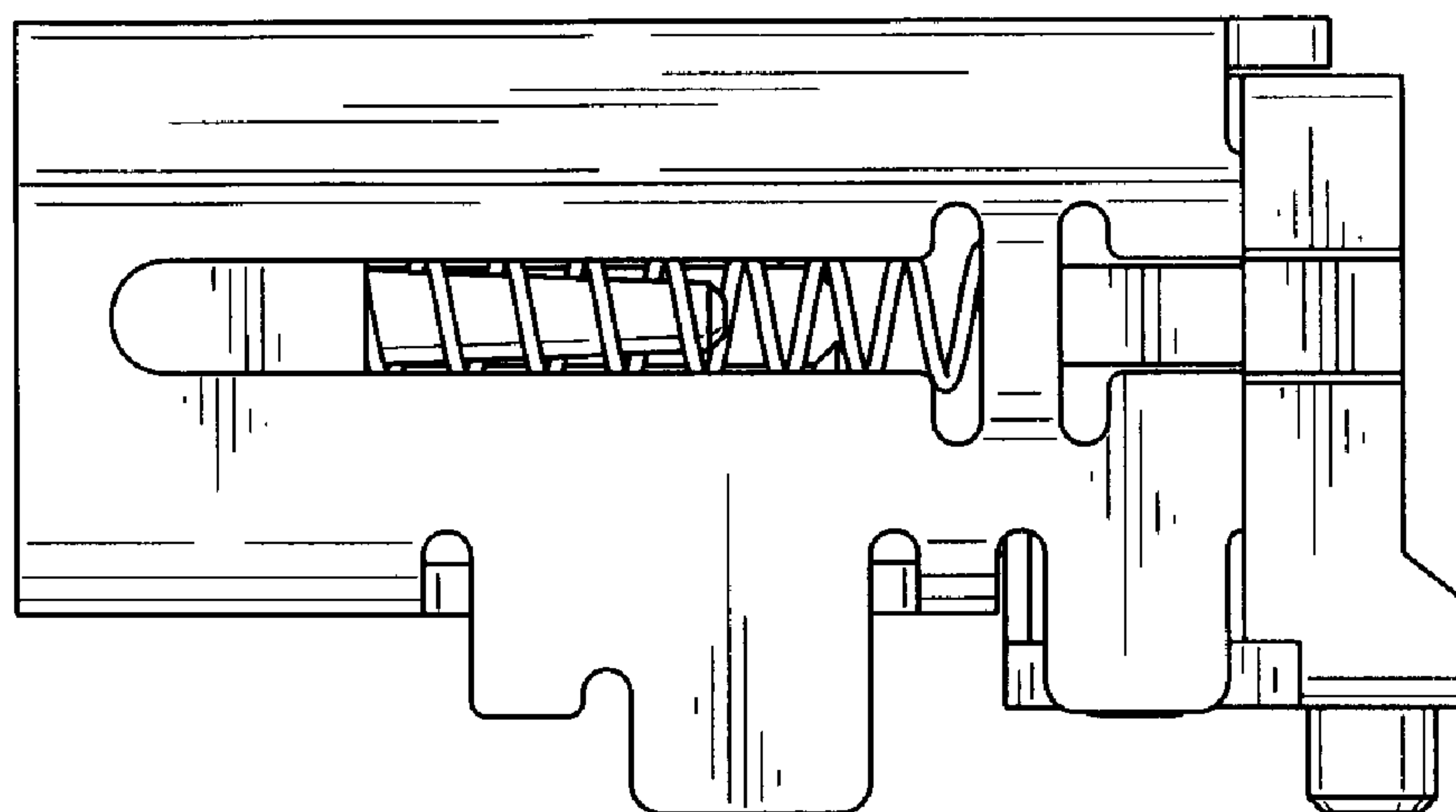
*FIG. 2*



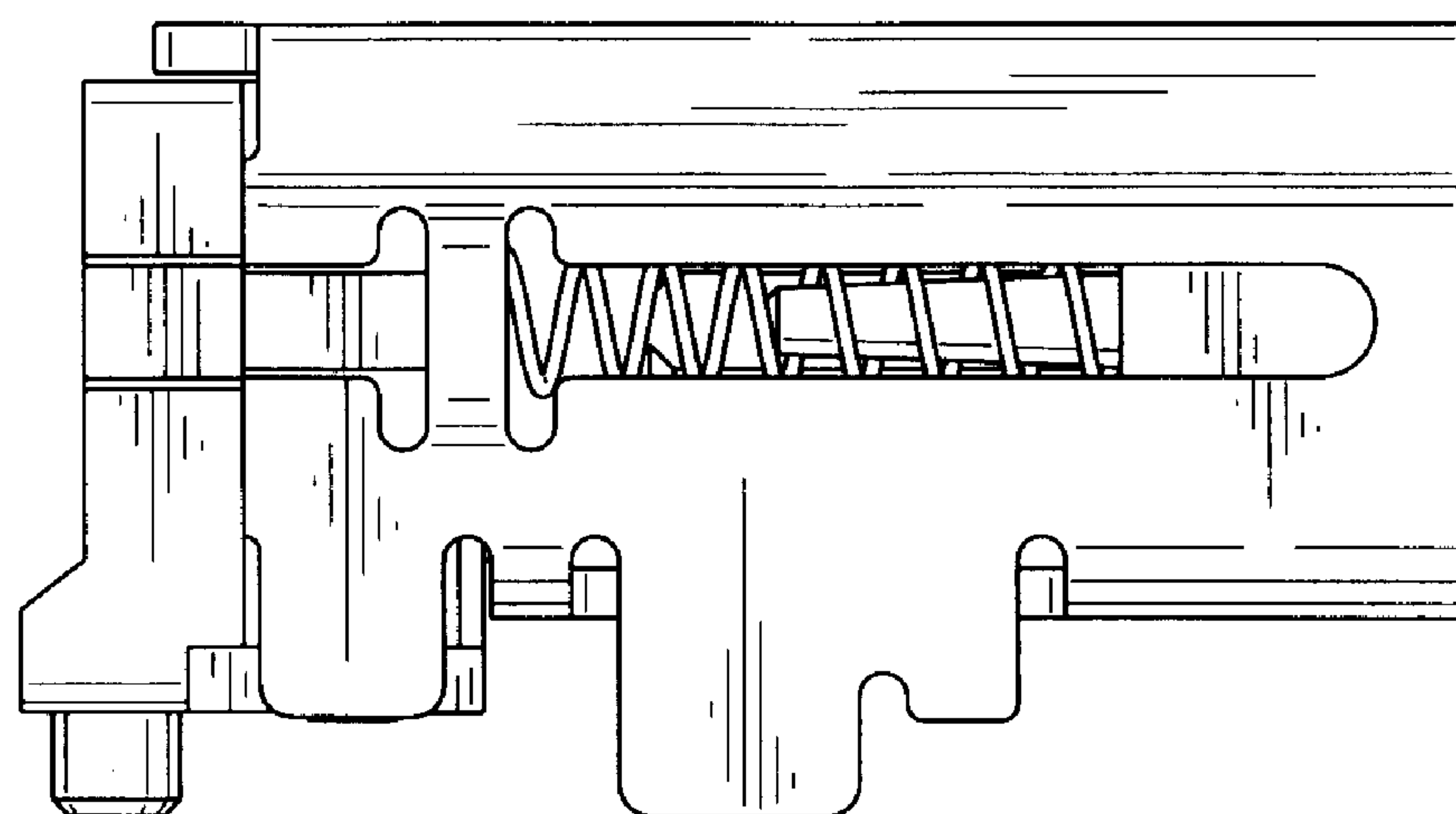
*FIG. 3*



**FIG. 4**

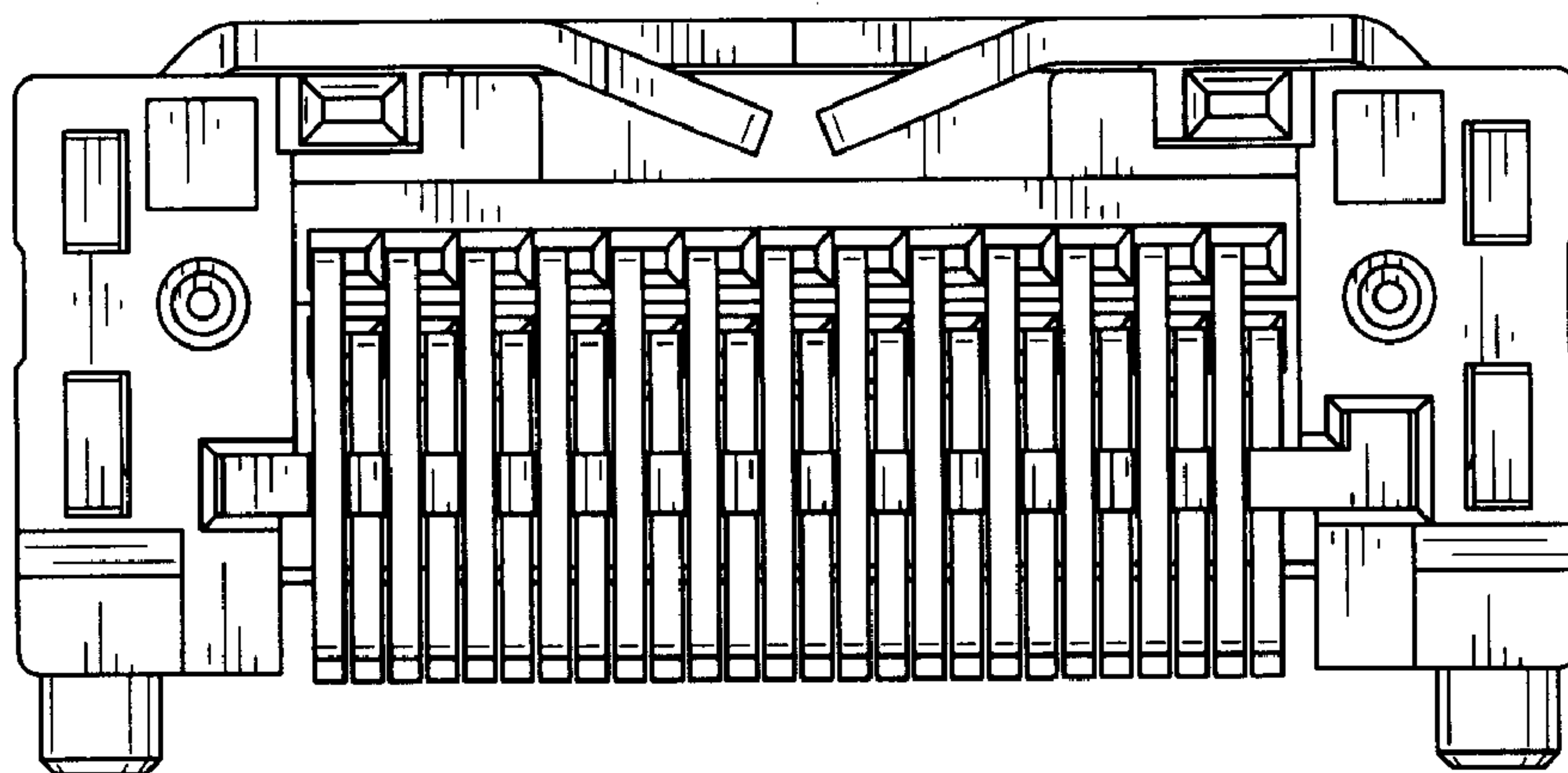


**FIG. 5**





*FIG. 6*



*FIG. 7*

