



US00D523815S

(12) **United States Design Patent**
Lai

(10) **Patent No.:** **US D523,815 S**
(45) **Date of Patent:** **** Jun. 27, 2006**

(54) **RECEPTACLE CONNECTOR**

(75) Inventor: **Ming Chun Lai**, Tucheng (TW)

(73) Assignee: **Cheng Uei Precision Industry co., Ltd.**, Taipei (TW)

(**) Term: **14 Years**

(21) Appl. No.: **29/219,468**

(22) Filed: **Dec. 20, 2004**

(51) **LOC (8) Cl.** **13-03**

(52) **U.S. Cl.** **D13/147; D13/133**

(58) **Field of Classification Search** D13/133,
D13/146-147, 154, 199; 439/79, 108, 607-610,
439/638, 660

See application file for complete search history.

(56) **References Cited**

U.S. PATENT DOCUMENTS

D264,206 S * 5/1982 Heritage D13/133
4,632,493 A * 12/1986 Matsuzaki et al. 439/676
D434,728 S * 12/2000 Huang D13/147

6,312,293 B1 * 11/2001 Wang 439/677
D459,309 S * 6/2002 Tanaka D13/147
D462,054 S * 8/2002 Ma et al. D13/133
2005/0124218 A1 * 6/2005 Chen et al. 439/609

* cited by examiner

Primary Examiner—Stella Reid

Assistant Examiner—Daniel Bui

(74) *Attorney, Agent, or Firm*—Rosenberg, Klein & Lee

(57) **CLAIM**

The ornamental design for a receptacle connector, as shown and described.

DESCRIPTION

FIG. 1 is a perspective view of a receptacle connector showing my new design;

FIG. 2 is a front elevational view thereof;

FIG. 3 is a rear elevational view thereof;

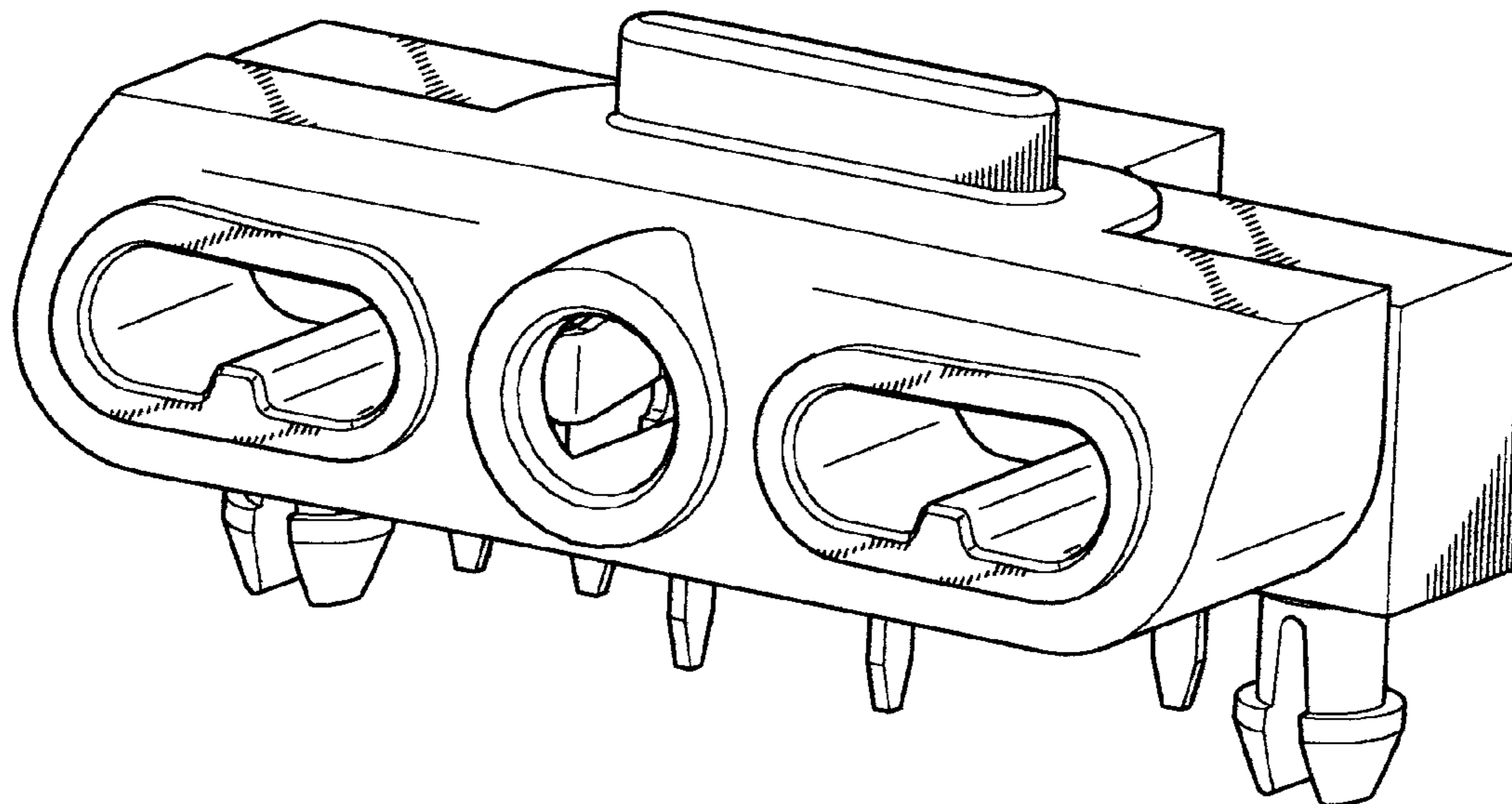
FIG. 4 is a left side elevational view thereof;

FIG. 5 is a right side elevational view thereof;

FIG. 6 is a top plan view thereof; and,

FIG. 7 is a bottom plan view thereof.

1 Claim, 4 Drawing Sheets



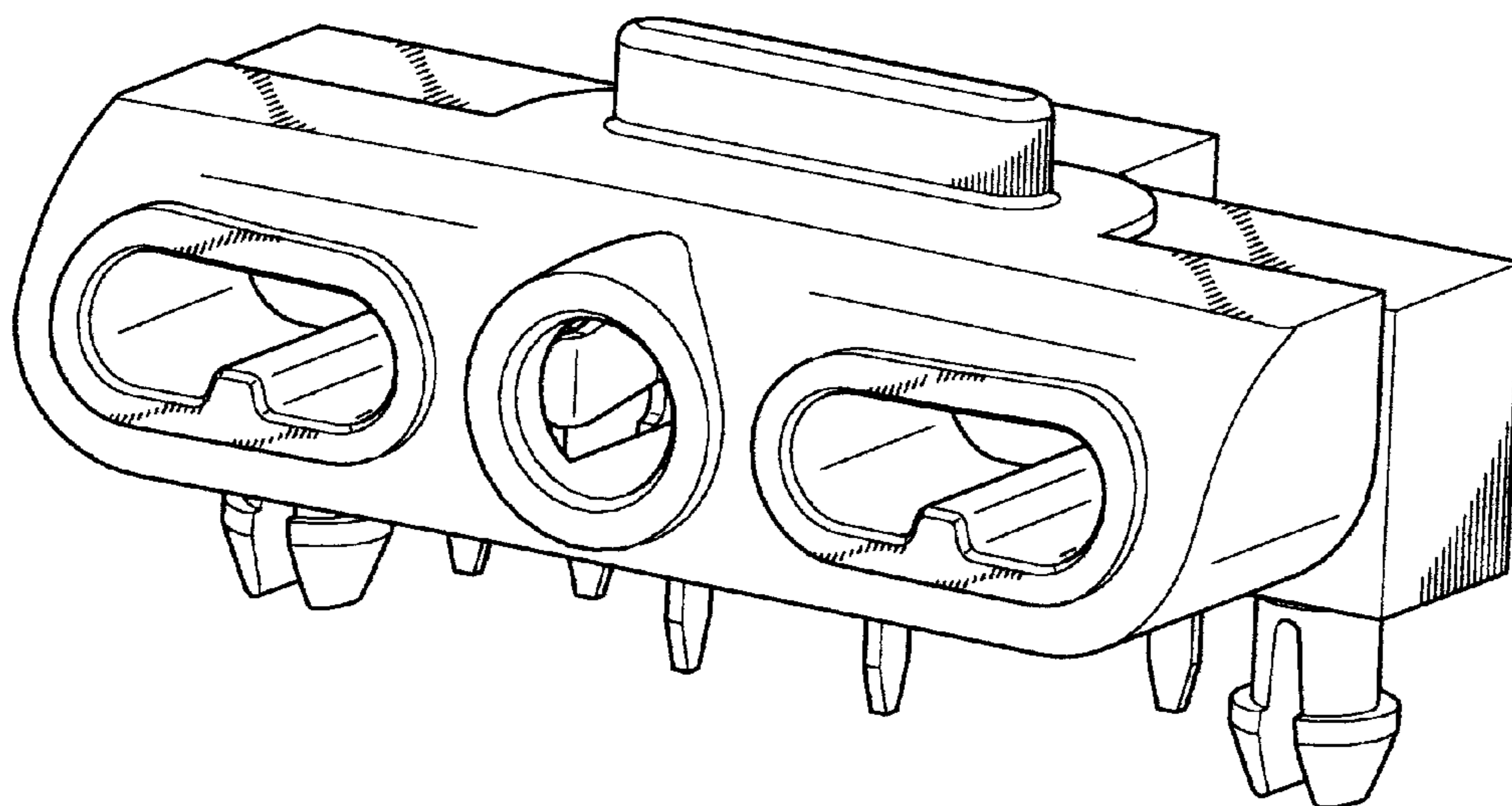


FIG. 1

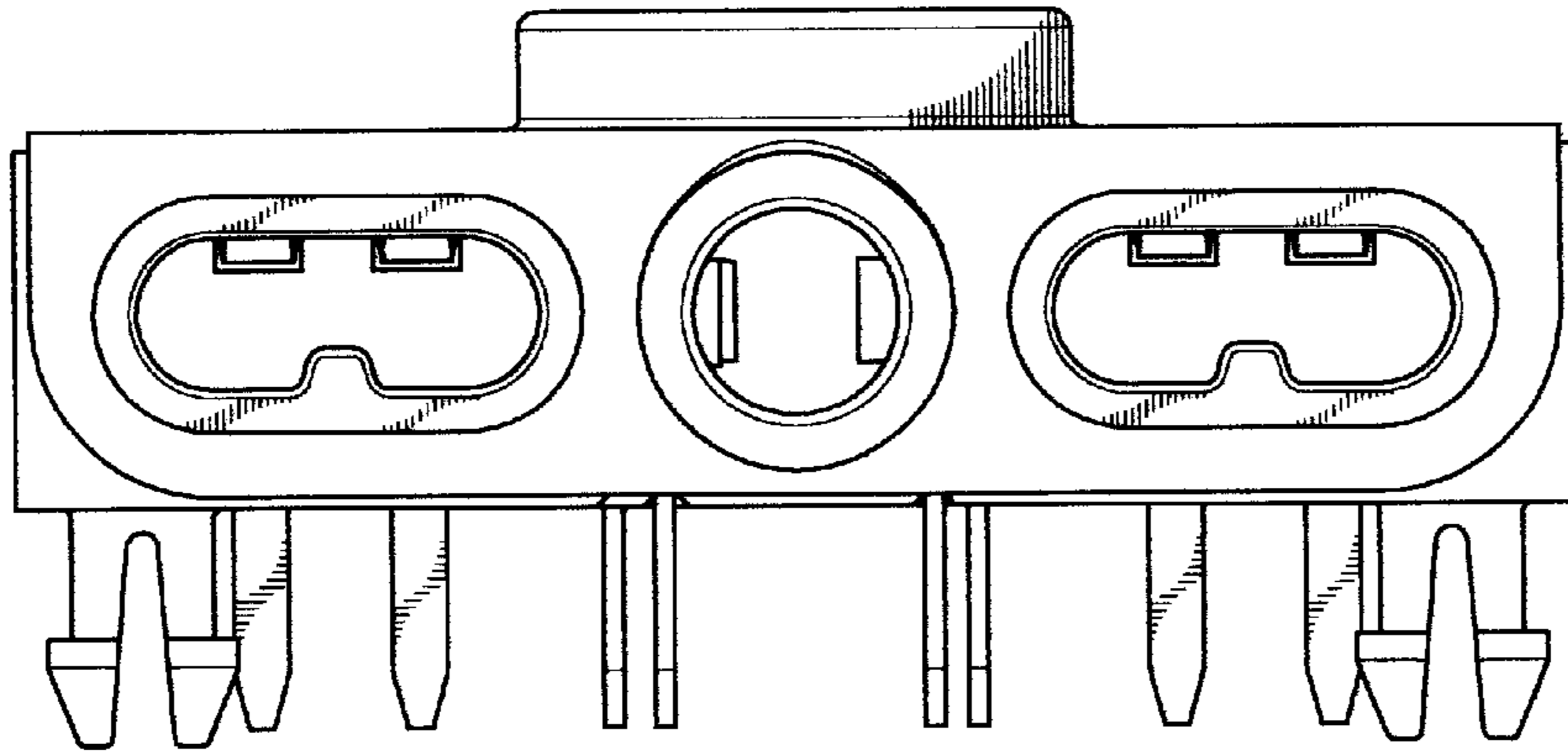


FIG. 2

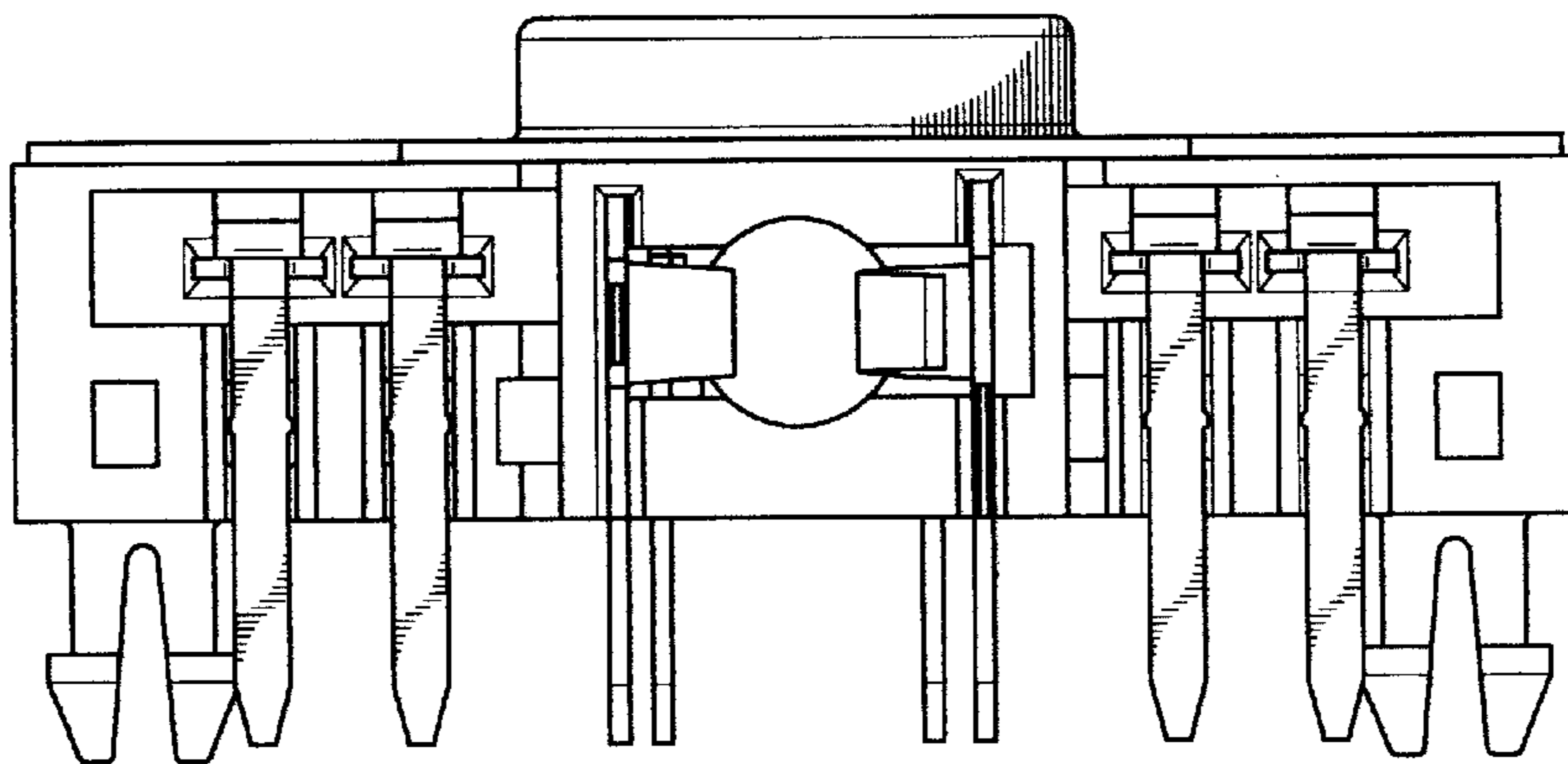


FIG. 3

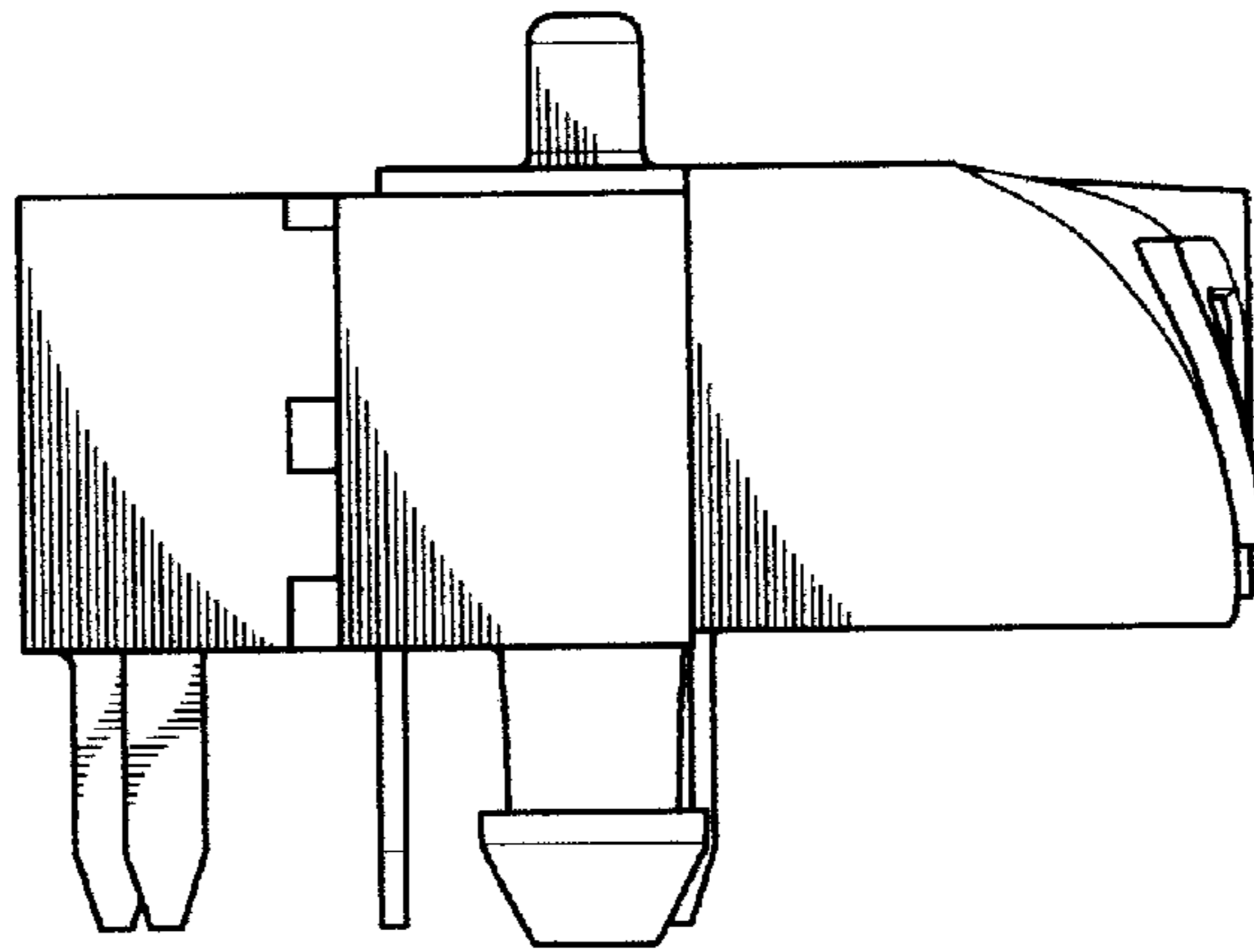


FIG. 4

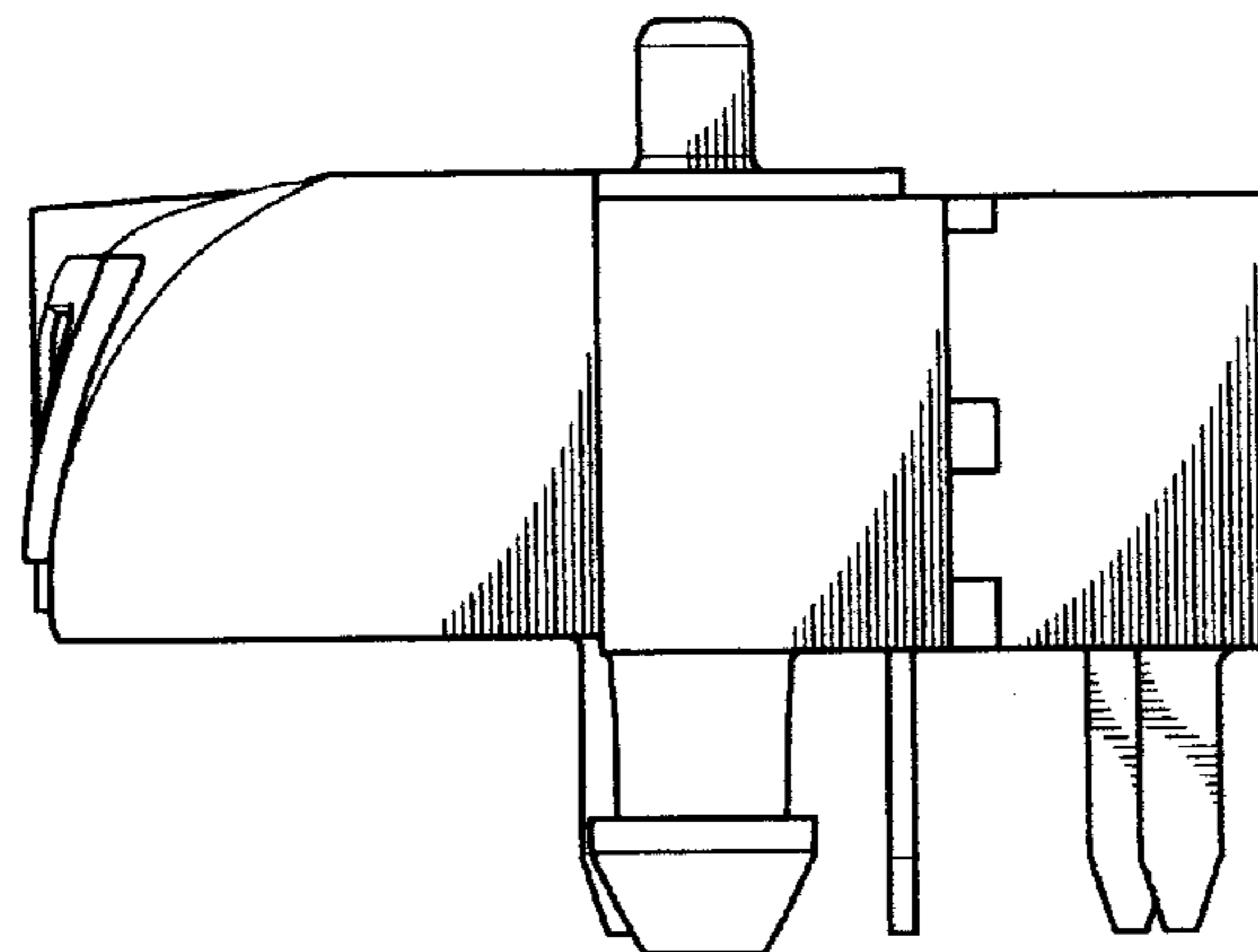


FIG. 5

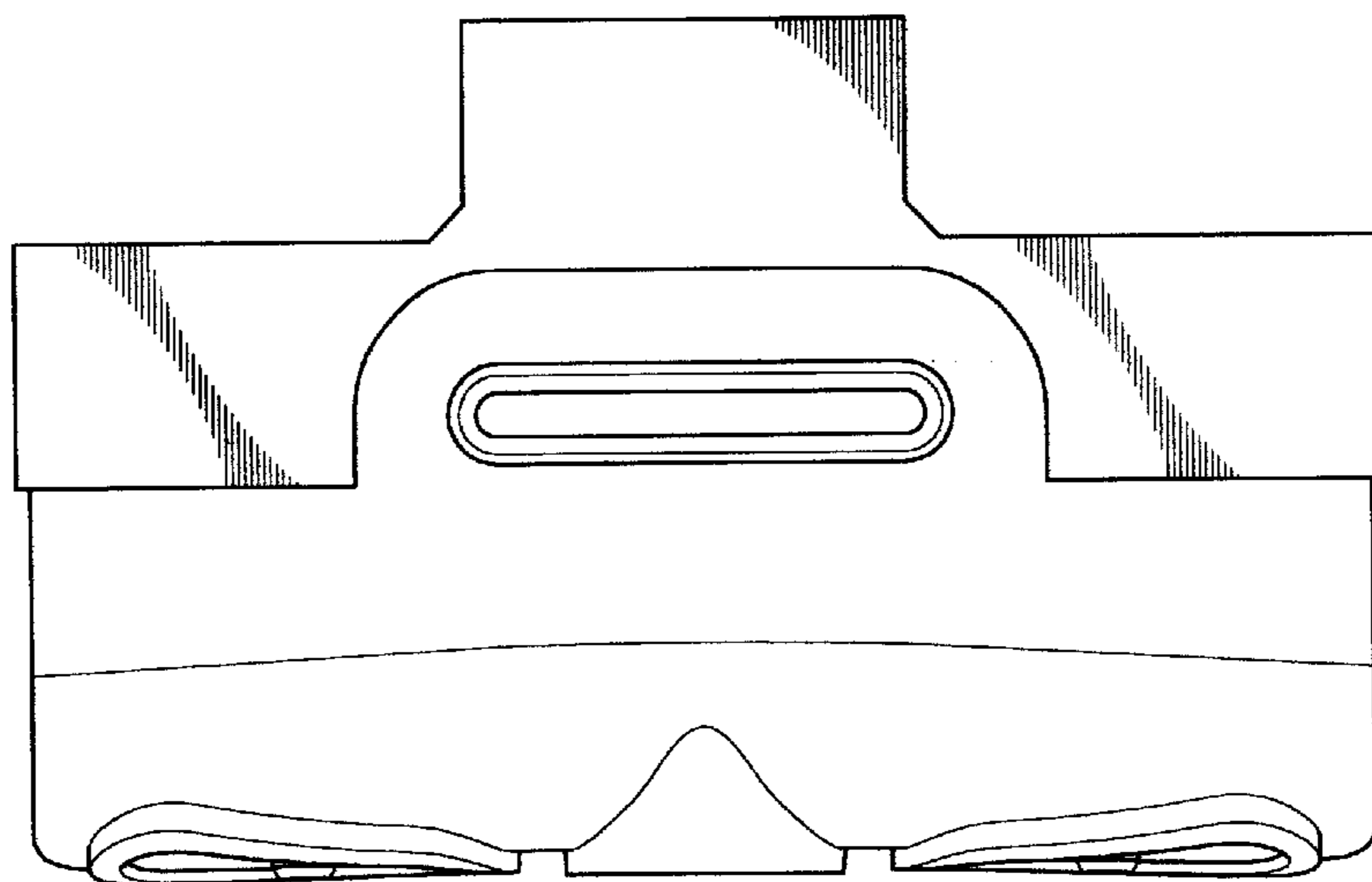


FIG. 6

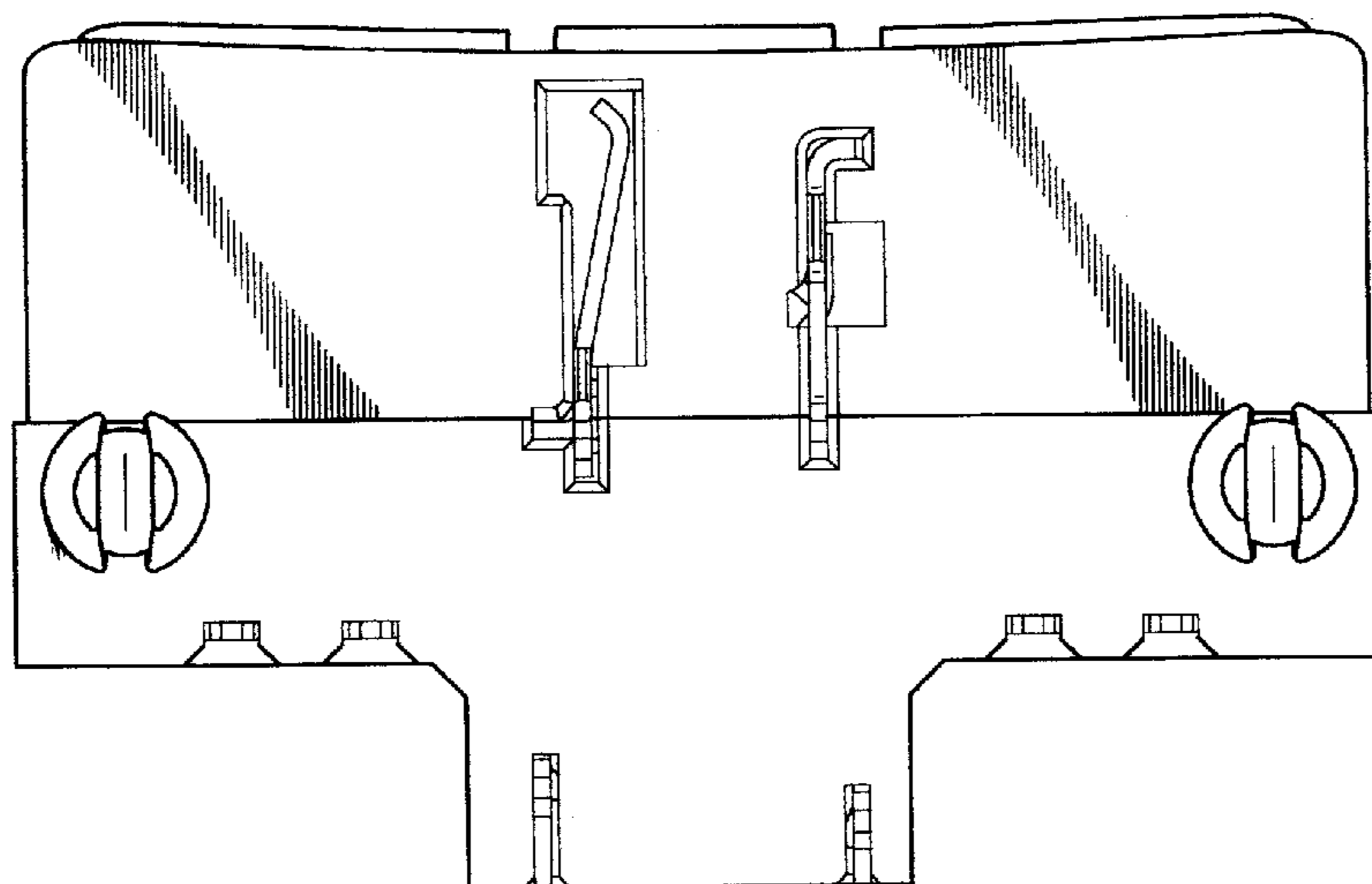


FIG. 7