



US00D523814S

(12) **United States Design Patent**
Wang

(10) **Patent No.:** **US D523,814 S**
(45) **Date of Patent:** **** Jun. 27, 2006**

(54) **ELECTRICAL CONNECTOR**

(75) Inventor: **Wei Che Wang**, Tu-chen (TW)

(73) Assignee: **Hon Hai Precision Ind. Co., Ltd.**,
Taipei Hsien (TW)

(**) Term: **14 Years**

(21) Appl. No.: **29/217,752**

(22) Filed: **Nov. 22, 2004**

(30) **Foreign Application Priority Data**

May 28, 2004 (TW) 93303144

(51) **LOC (8) Cl.** **13-03**

(52) **U.S. Cl.** **D13/147**

(58) **Field of Classification Search** D13/133,
D13/146-147, 184, 199; 439/79-83, 95,
439/101, 108, 181, 607-610, 620
See application file for complete search history.

(56) **References Cited**

U.S. PATENT DOCUMENTS

D390,828 S * 2/1998 Aramaki D13/147
D407,690 S * 4/1999 Lai et al. D13/147
D412,884 S * 8/1999 Wu D13/147
D434,383 S * 11/2000 Hu et al. D13/147
D455,719 S * 4/2002 Wu D13/147

D463,374 S * 9/2002 Homma et al. D13/147
6,634,894 B1 * 10/2003 Ko 439/108
6,663,402 B1 * 12/2003 Yu 439/108
D489,687 S * 5/2004 Kawase et al. D13/147
D508,023 S * 8/2005 Obikane et al. D13/147

* cited by examiner

Primary Examiner—Stella Reid

Assistant Examiner—Daniel Bui

(74) *Attorney, Agent, or Firm*—Wei Te Chung

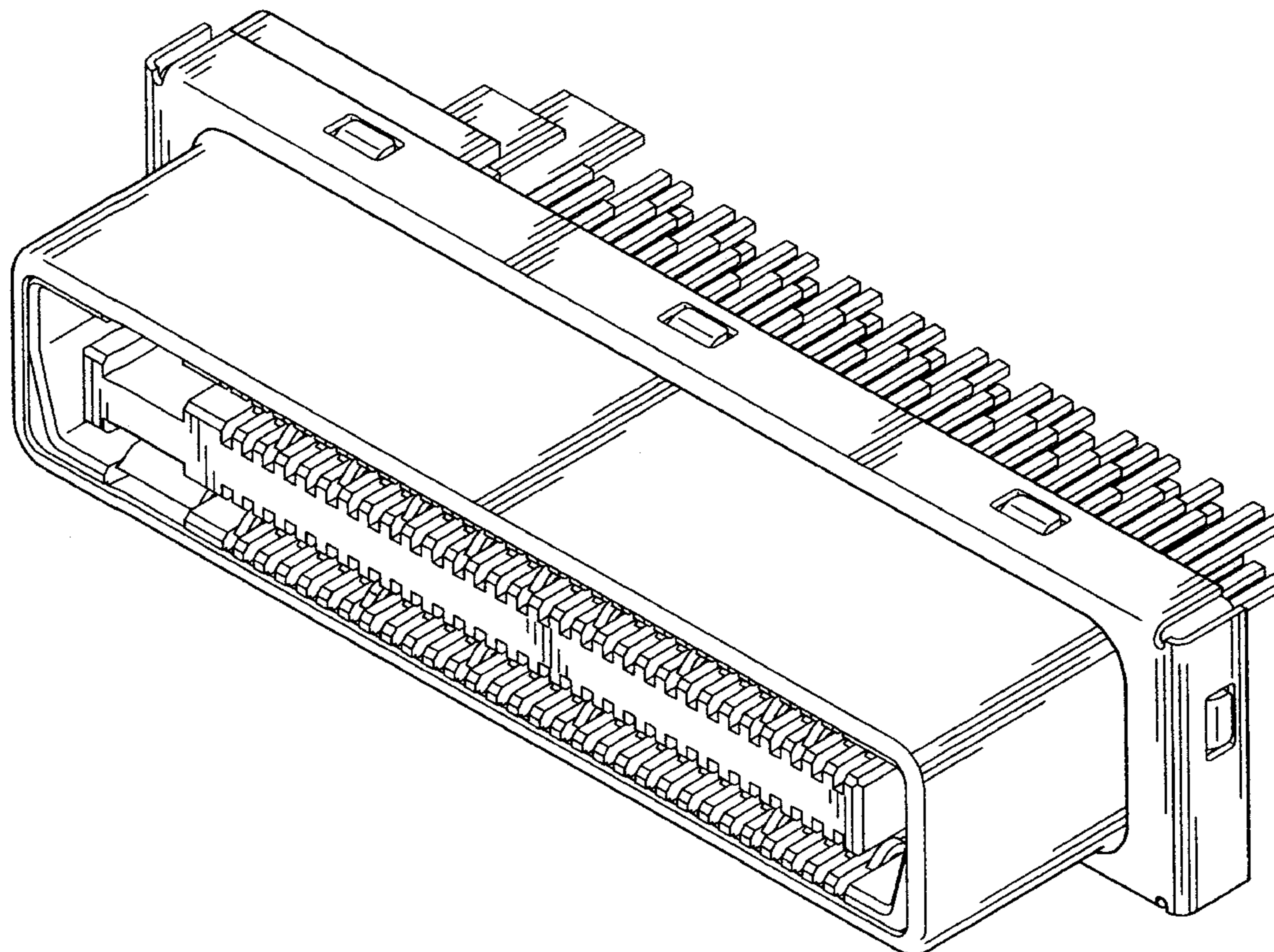
(57) **CLAIM**

The ornamental design for an electrical connector, as shown and described.

DESCRIPTION

FIG. 1 is a front, top and right side perspective view of an electrical connector showing my new design;
FIG. 2 is a front elevational view of the connector of FIG. 1;
FIG. 3 is a rear elevational view of the connector FIG. 1;
FIG. 4 is a left side elevational view of the connector FIG. 1;
FIG. 5 is a right side elevational view of the connector FIG. 1;
FIG. 6 is a top plan view of the connector FIG. 1; and
FIG. 7 is a bottom plan view of the connector FIG. 1.

1 Claim, 6 Drawing Sheets



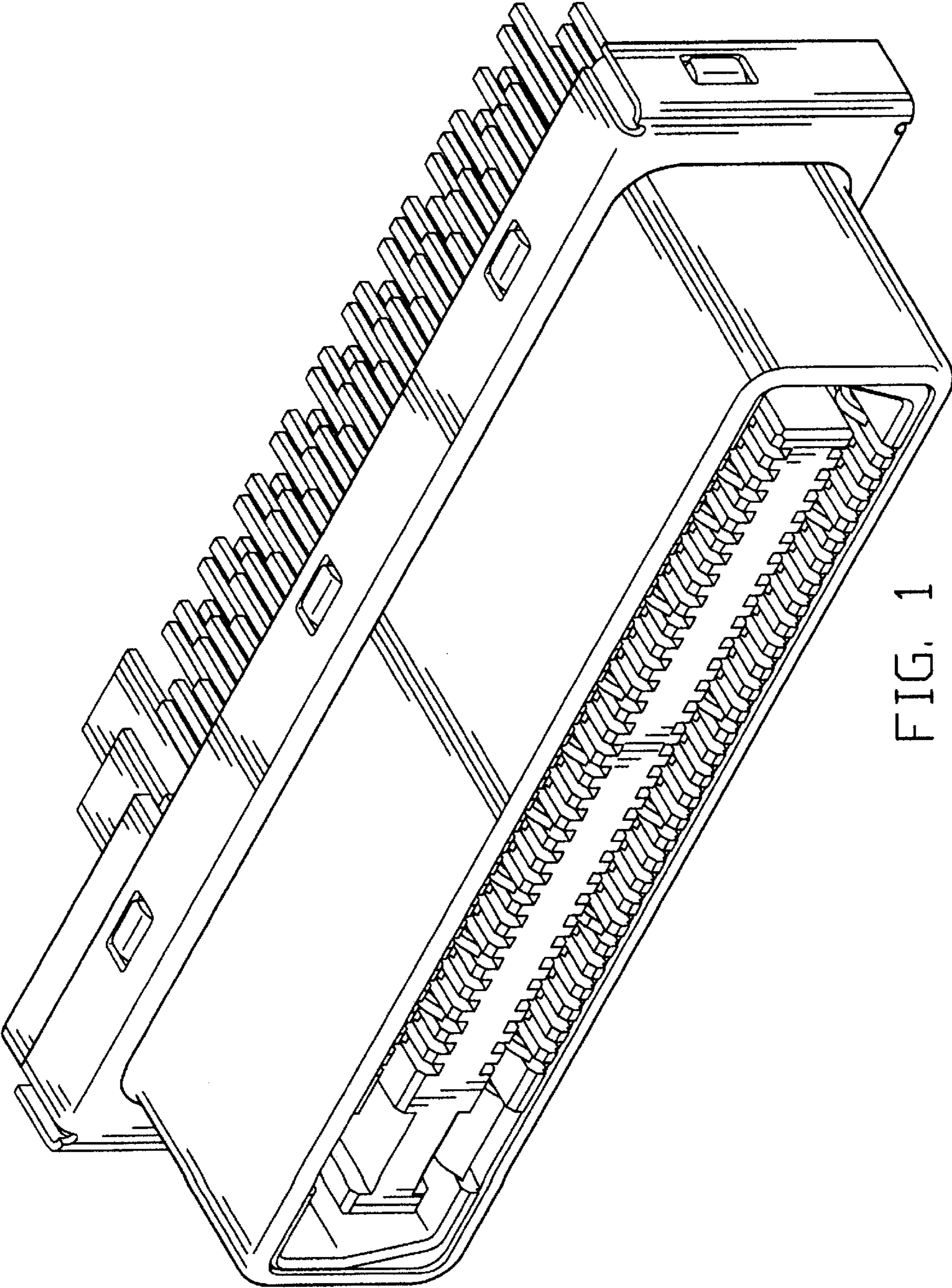


FIG. 1

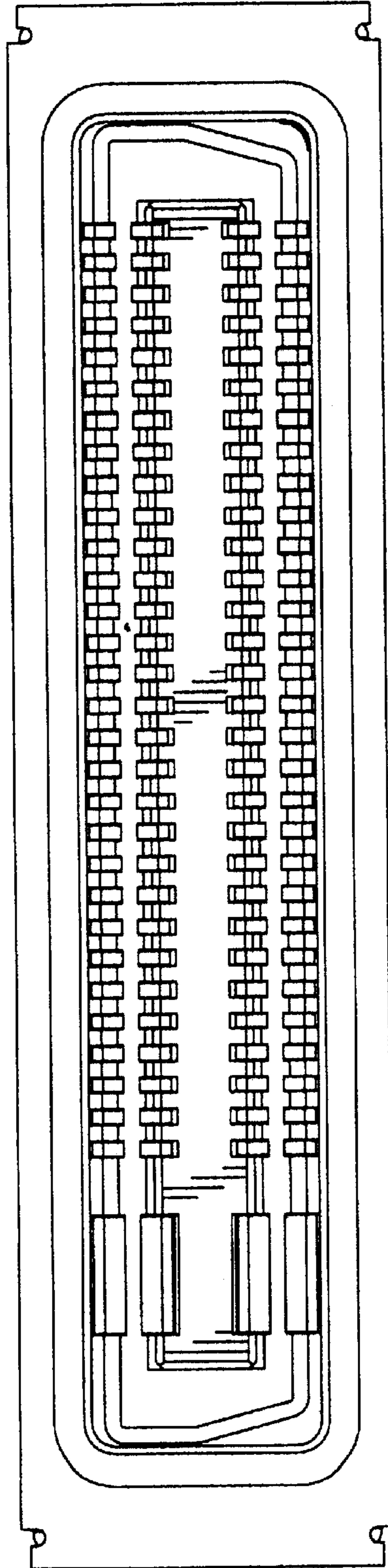


FIG. 2

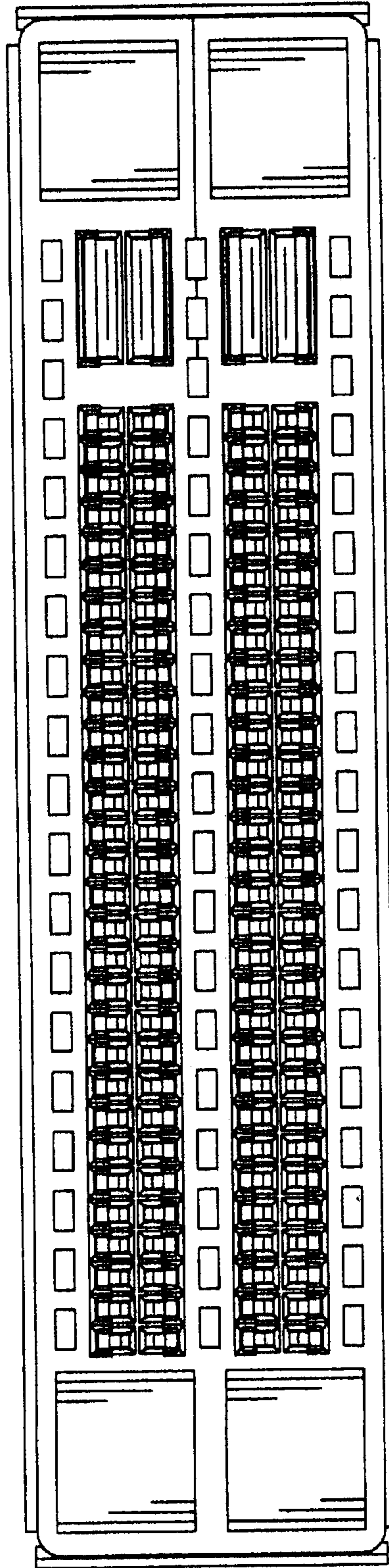


FIG. 3

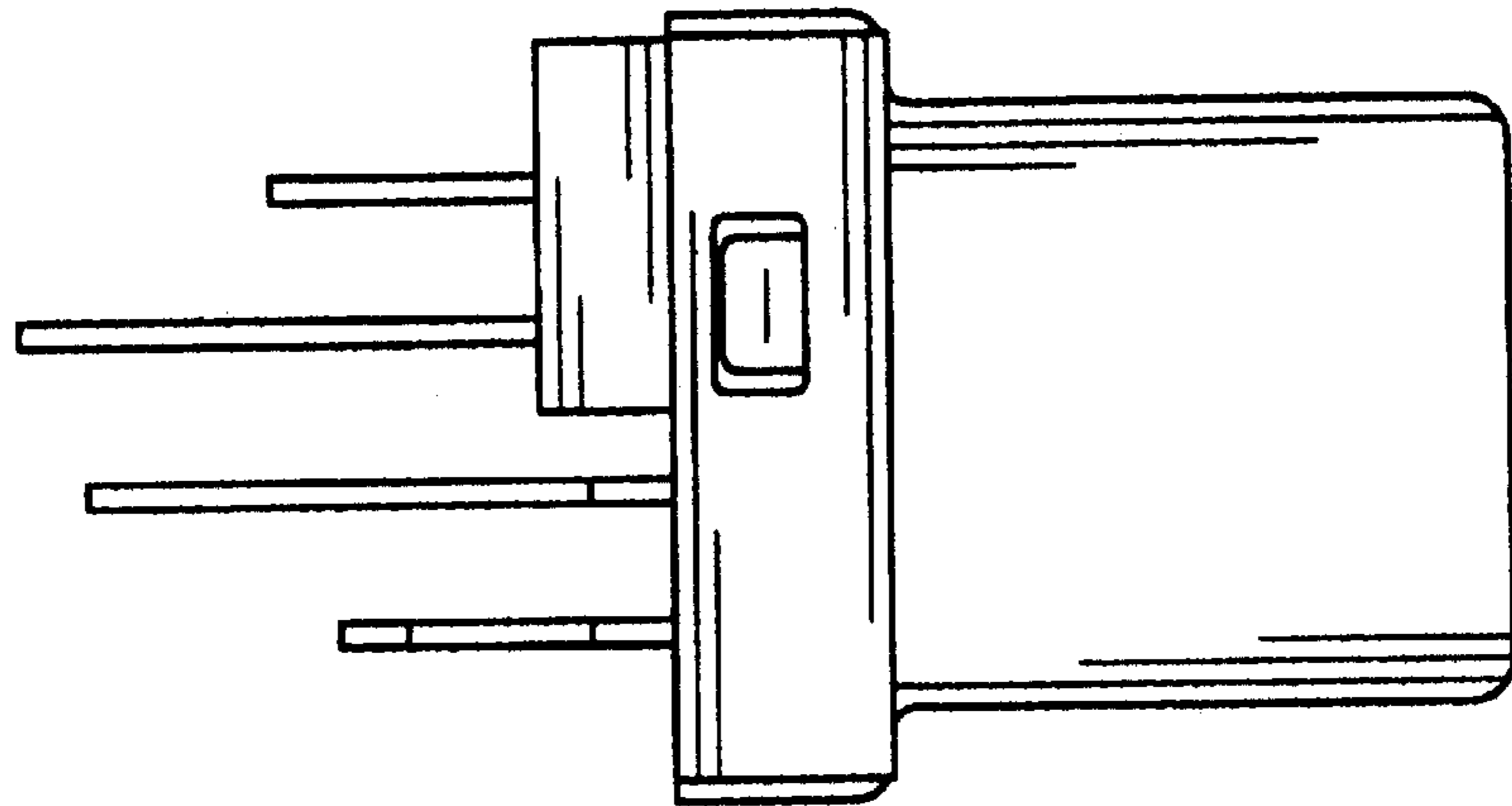


FIG. 4

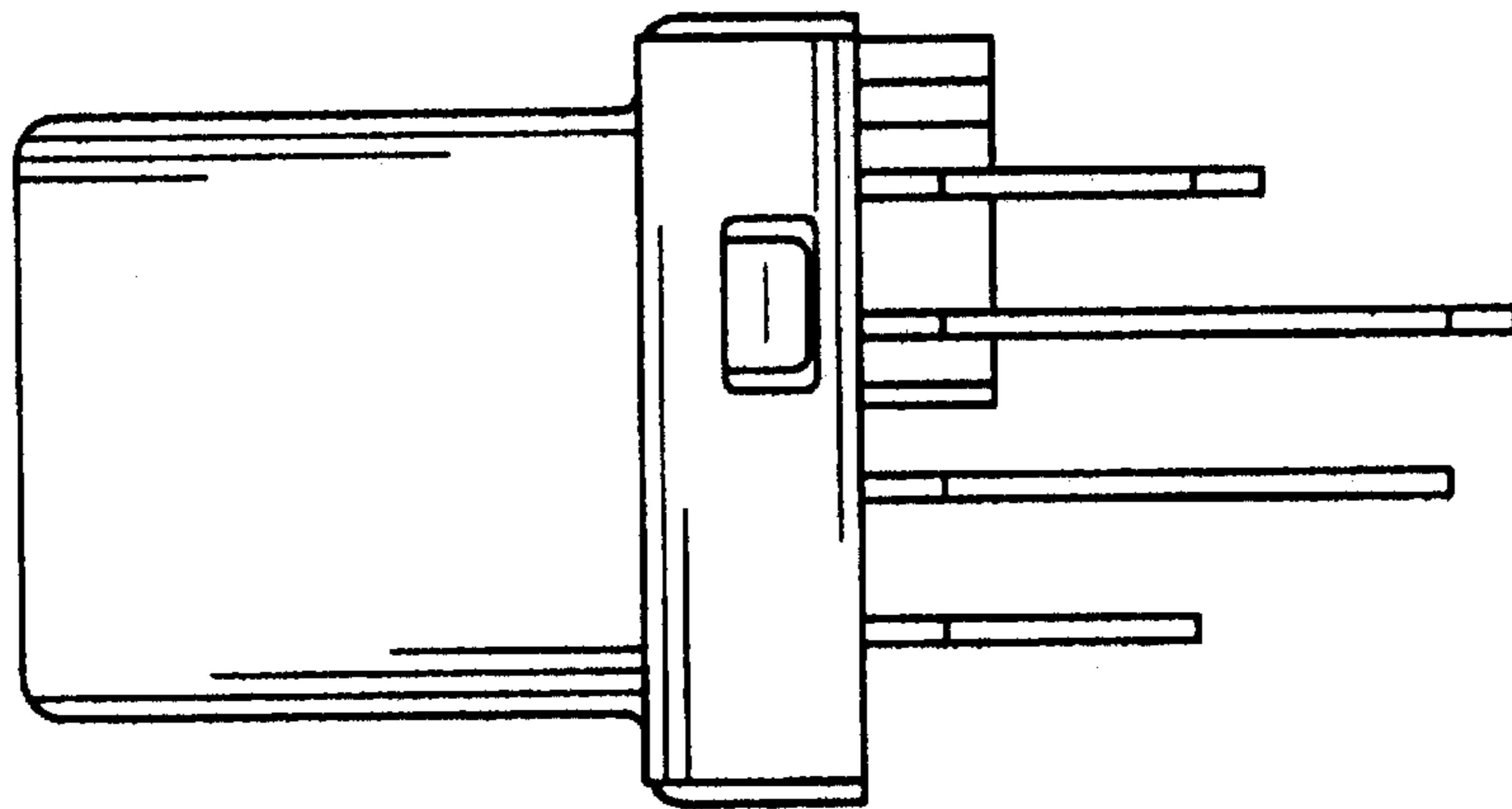


FIG. 5

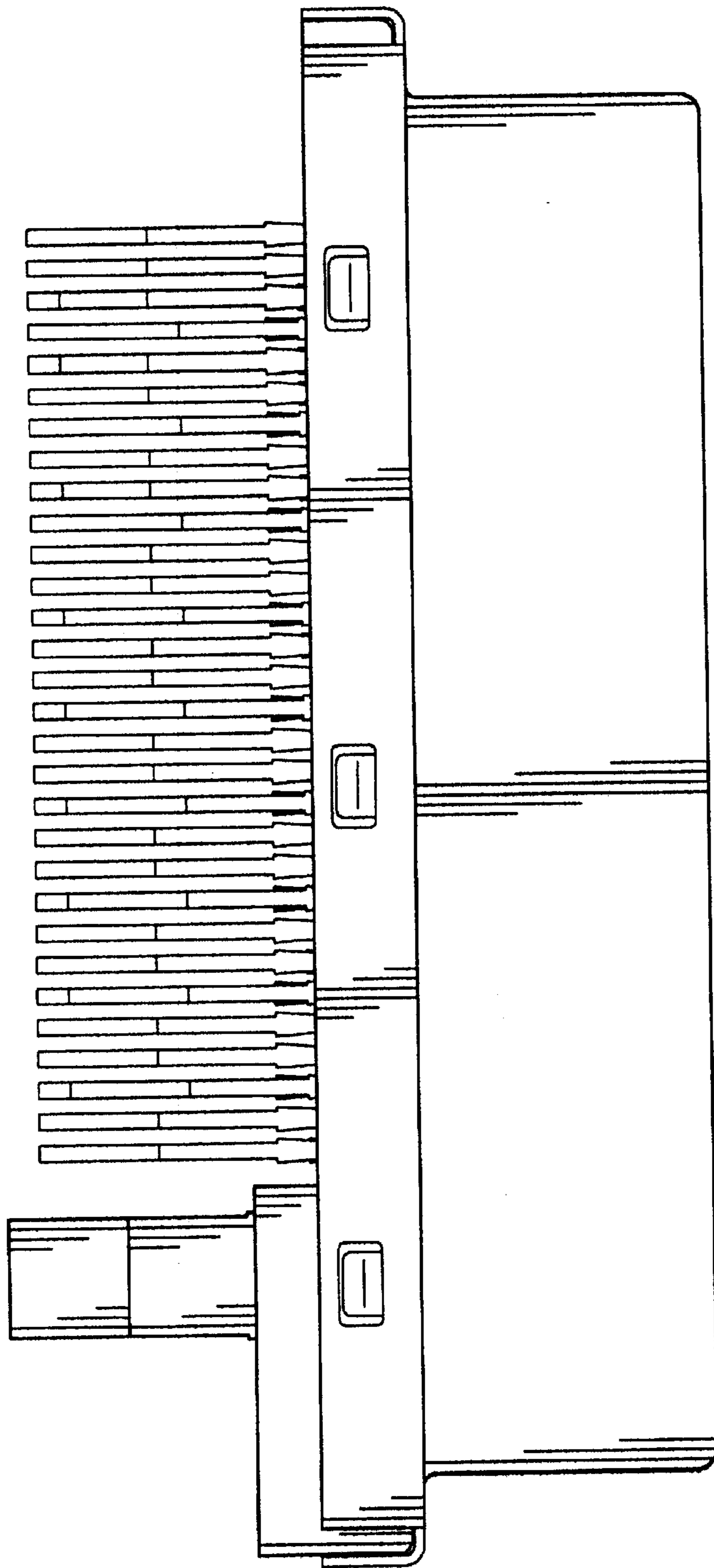


FIG. 6

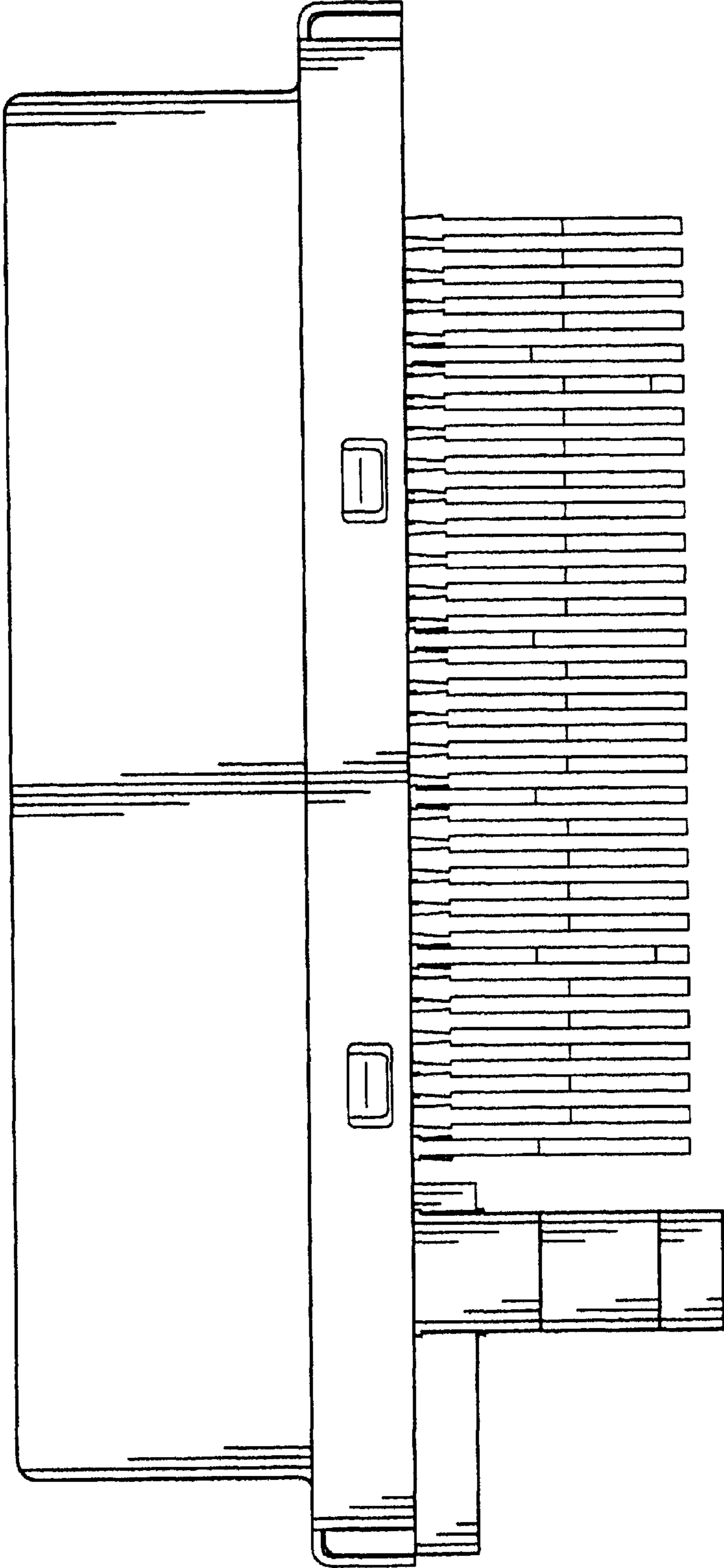


FIG. 7