

US00D523813S

(12) **United States Design Patent**  
**He et al.**

(10) **Patent No.:** **US D523,813 S**  
(45) **Date of Patent:** **\*\* Jun. 27, 2006**

(54) **ELECTRICAL CONNECTOR**

(75) Inventors: **Wenke He**, Kunsan (CN); **Guohua Zhang**, Kunsan (CN); **ZiQiang Zhu**, Kunsan (CN)

(73) Assignee: **Hon Hai Precision Ind. Co., Ltd.**, Taipei Hsien (TW)

(\*\*) Term: **14 Years**

(21) Appl. No.: **29/214,623**

(22) Filed: **Oct. 5, 2004**

(30) **Foreign Application Priority Data**

Jun. 1, 2004 (CN) ..... 2004300576013

(51) **LOC (8) Cl.** ..... **13-03**

(52) **U.S. Cl.** ..... **D13/147**

(58) **Field of Classification Search** ..... D13/133,  
D13/146-147, 154, 199; 439/79, 83, 108,  
439/181, 607-610, 639

See application file for complete search history.

(56) **References Cited**

**U.S. PATENT DOCUMENTS**

5,338,227 A \* 8/1994 Nakamura ..... 439/607  
6,293,825 B1 \* 9/2001 Huang ..... 439/607

D461,454 S \* 8/2002 Hagiwara ..... D13/147  
D462,326 S \* 9/2002 Okamoto ..... D13/147  
D462,663 S \* 9/2002 Hagiwara ..... D13/147  
6,475,033 B1 \* 11/2002 Zhu et al. .... 439/607  
D478,050 S \* 8/2003 Nishio et al. .... D13/147  
D478,320 S \* 8/2003 Suzuki et al. .... D13/147  
D481,681 S \* 11/2003 Takahashi ..... D13/147  
D482,658 S \* 11/2003 Shao ..... D13/147  
D509,799 S \* 9/2005 Tsai ..... D13/147

\* cited by examiner

*Primary Examiner*—Prabhakar Deshmukh

*Assistant Examiner*—Daniel Bui

(74) *Attorney, Agent, or Firm*—Wei Te Chung

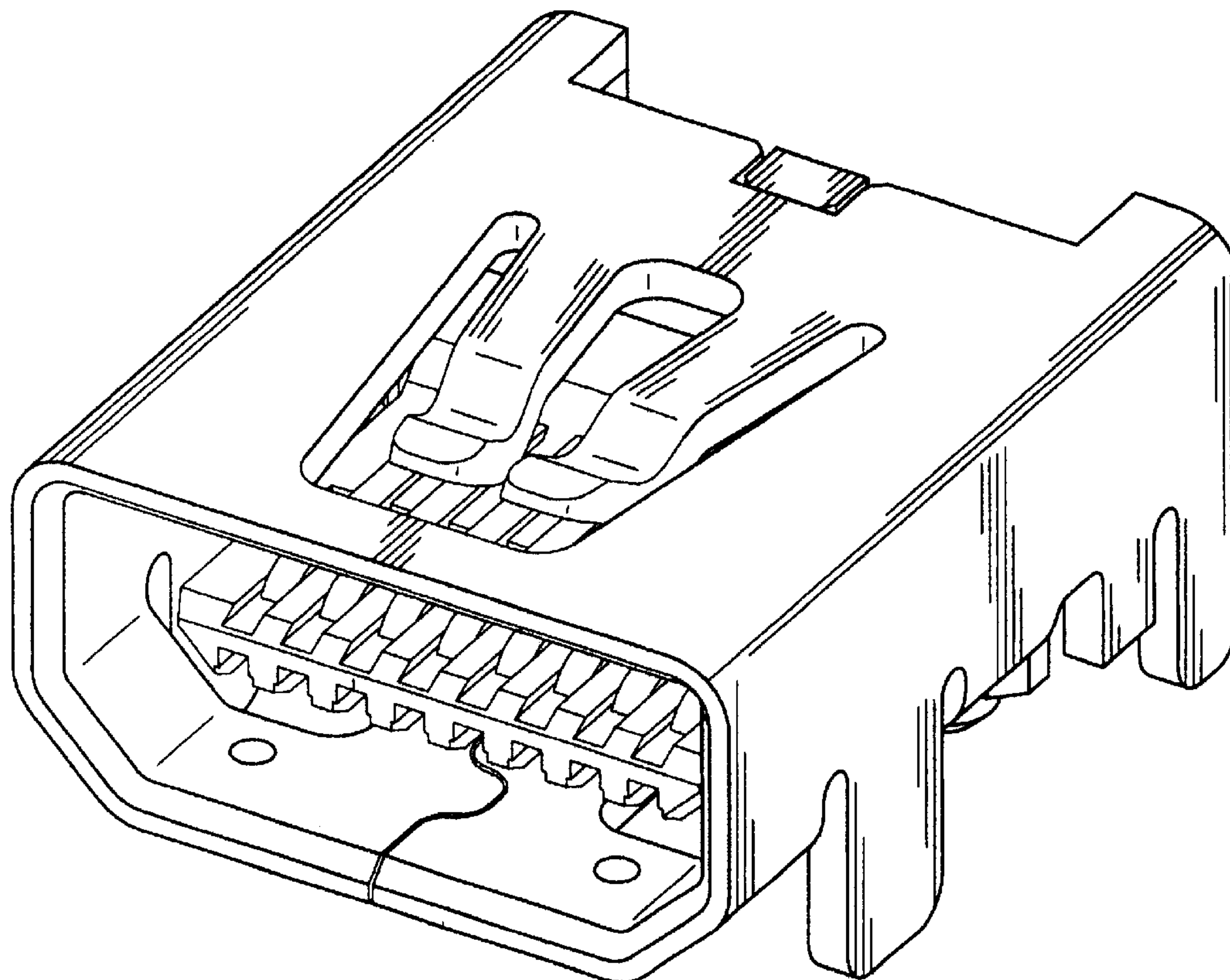
(57) **CLAIM**

The ornamental design for an electrical connector, as shown.

**DESCRIPTION**

FIG. 1 is a perspective view of an electrical connector showing our new design; FIG. 2 is a front elevational view of FIG. 1; FIG. 3 is a rear elevational view of FIG. 1; FIG. 4 is a left side elevational view of FIG. 1; FIG. 5 is a right side elevational view of FIG. 1; FIG. 6 is a top plan view of FIG. 1; and, FIG. 7 is a bottom plan view of FIG. 1.

**1 Claim, 7 Drawing Sheets**



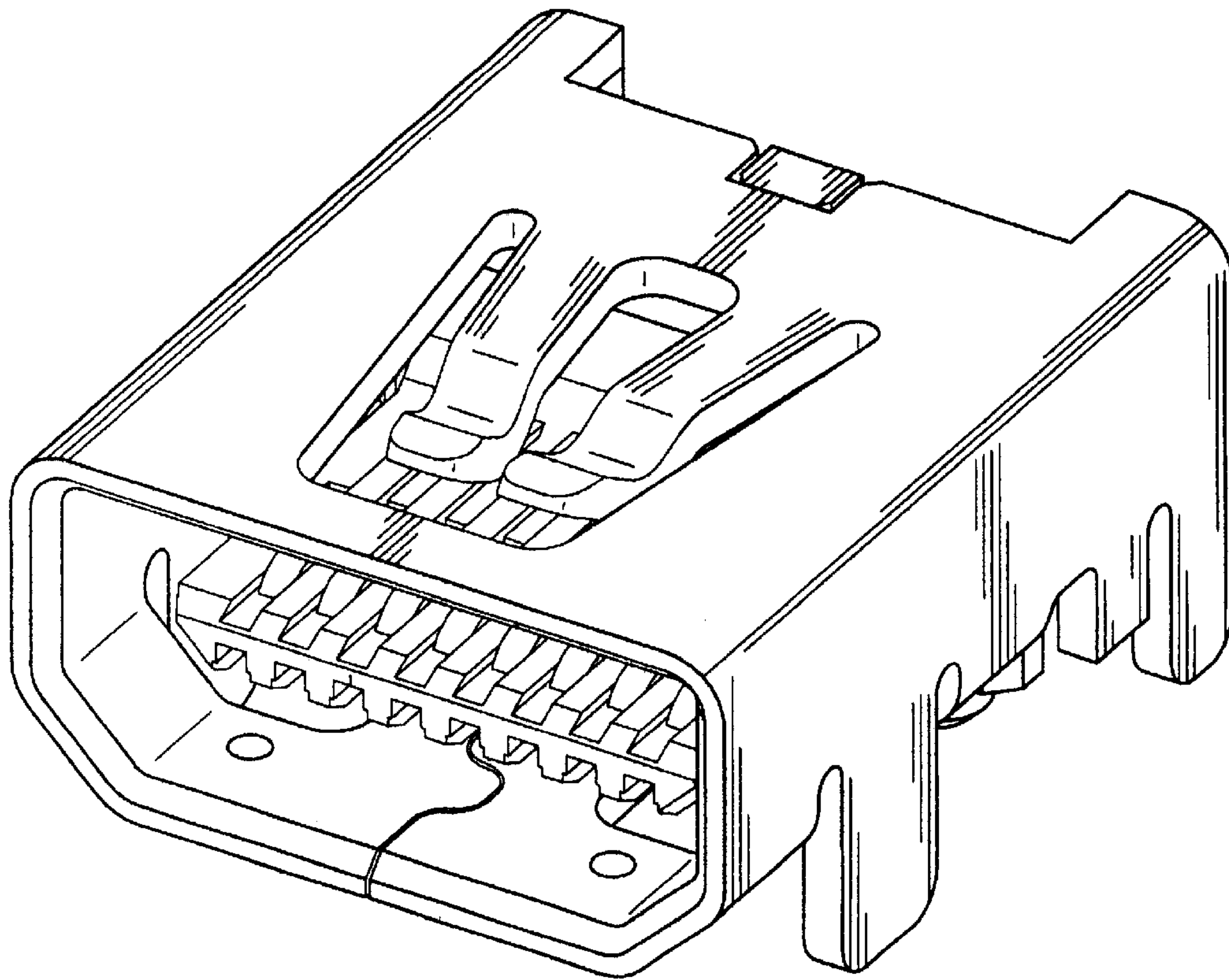


FIG. 1

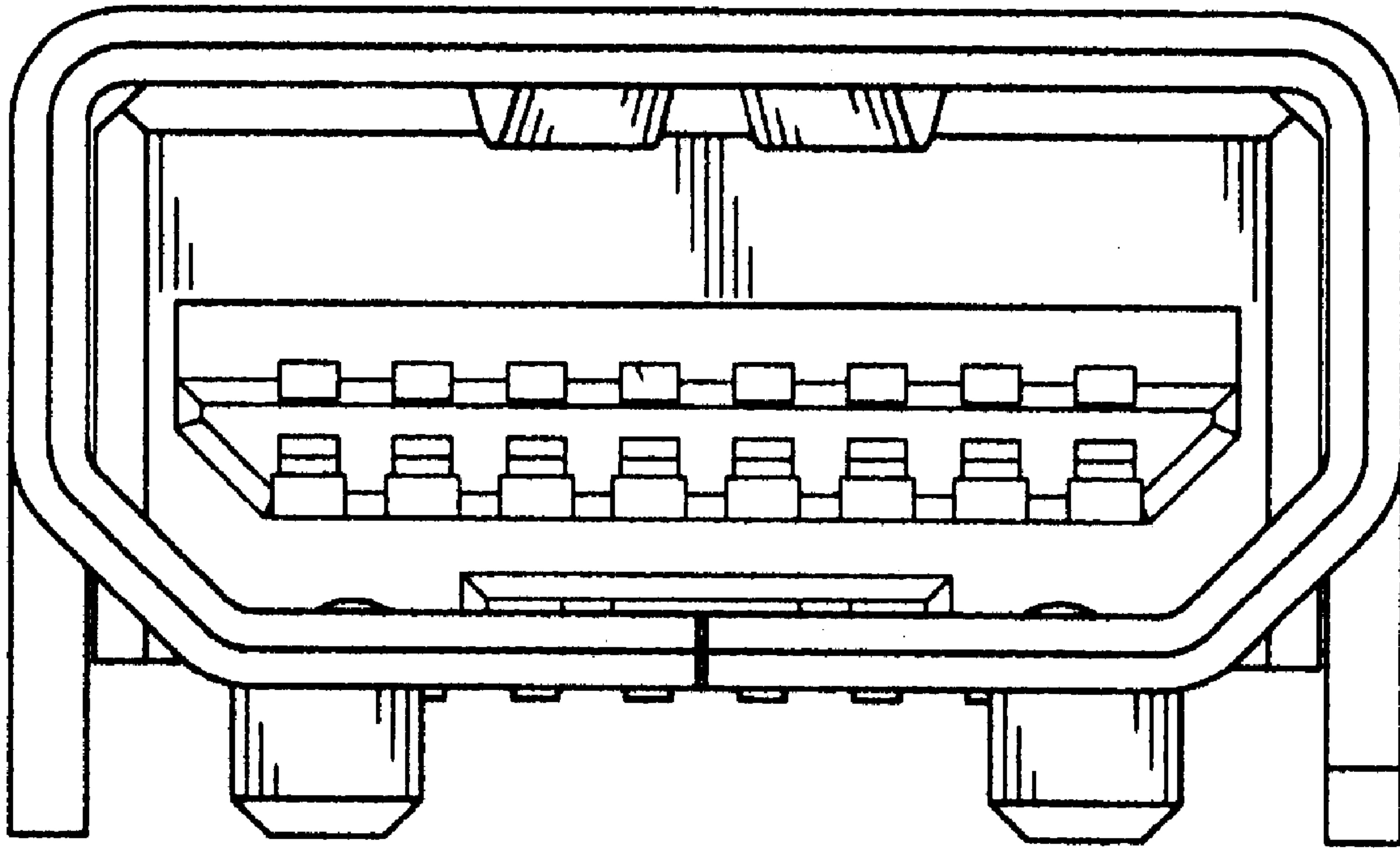


FIG. 2

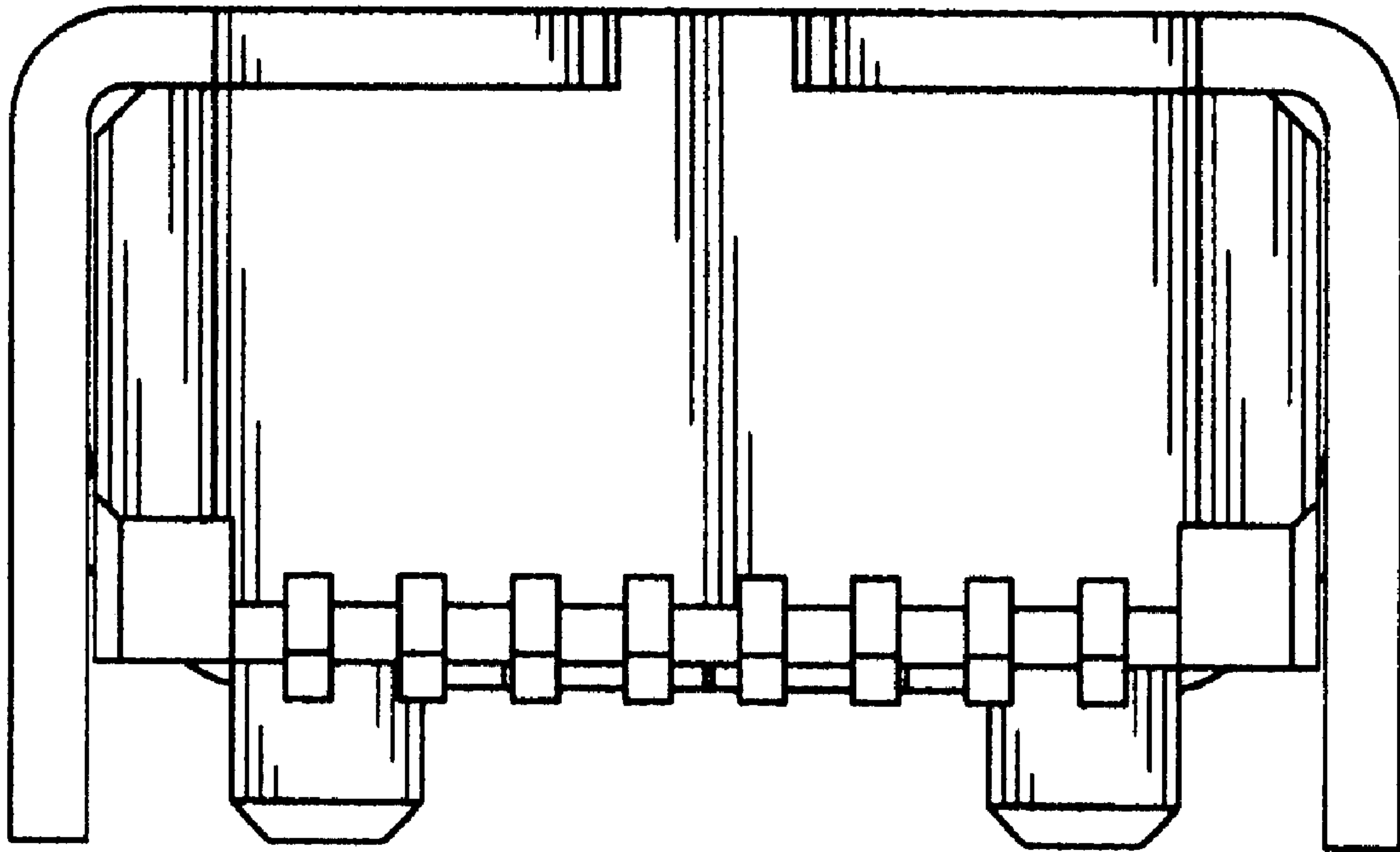


FIG. 3

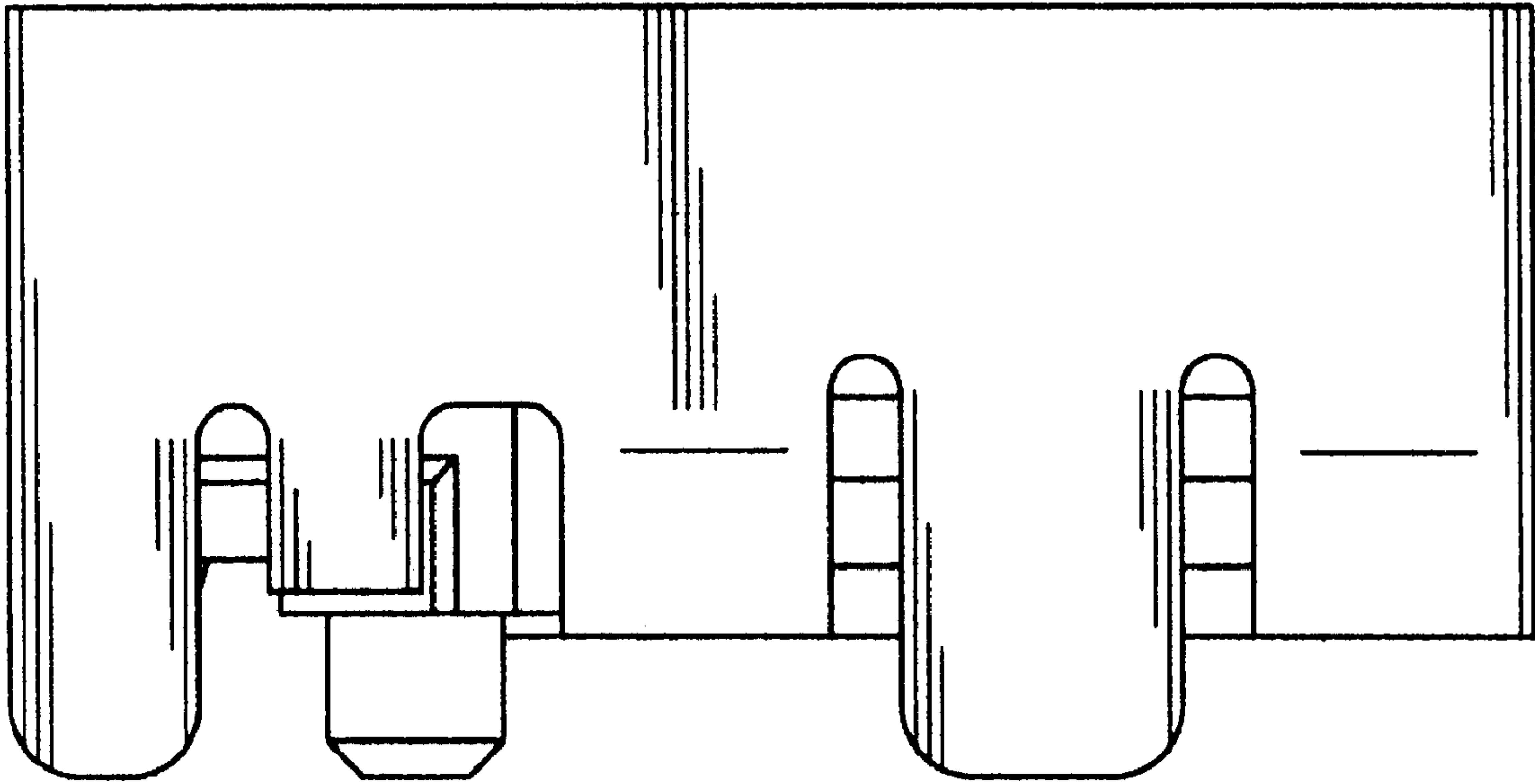


FIG. 4

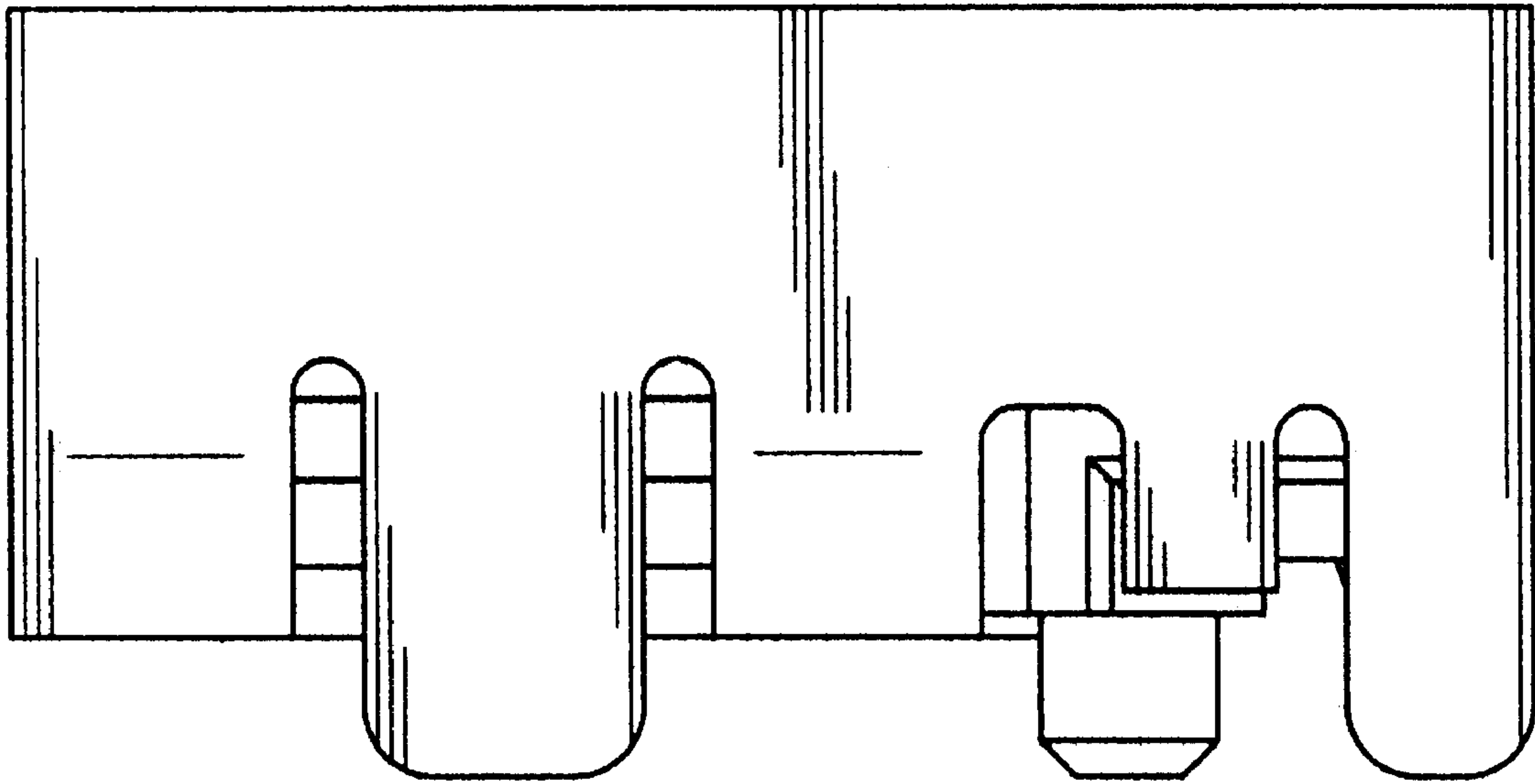


FIG. 5



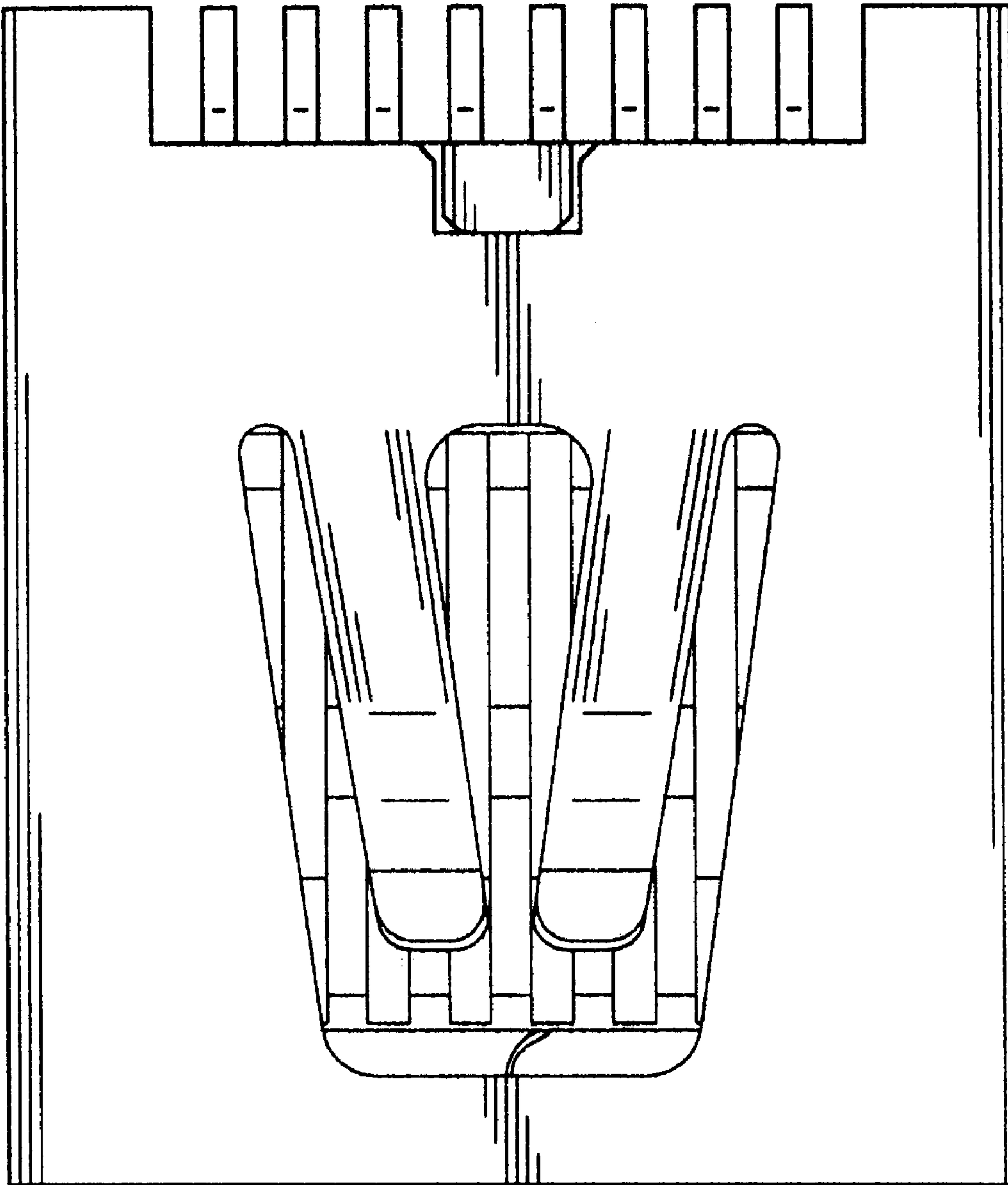


FIG. 6

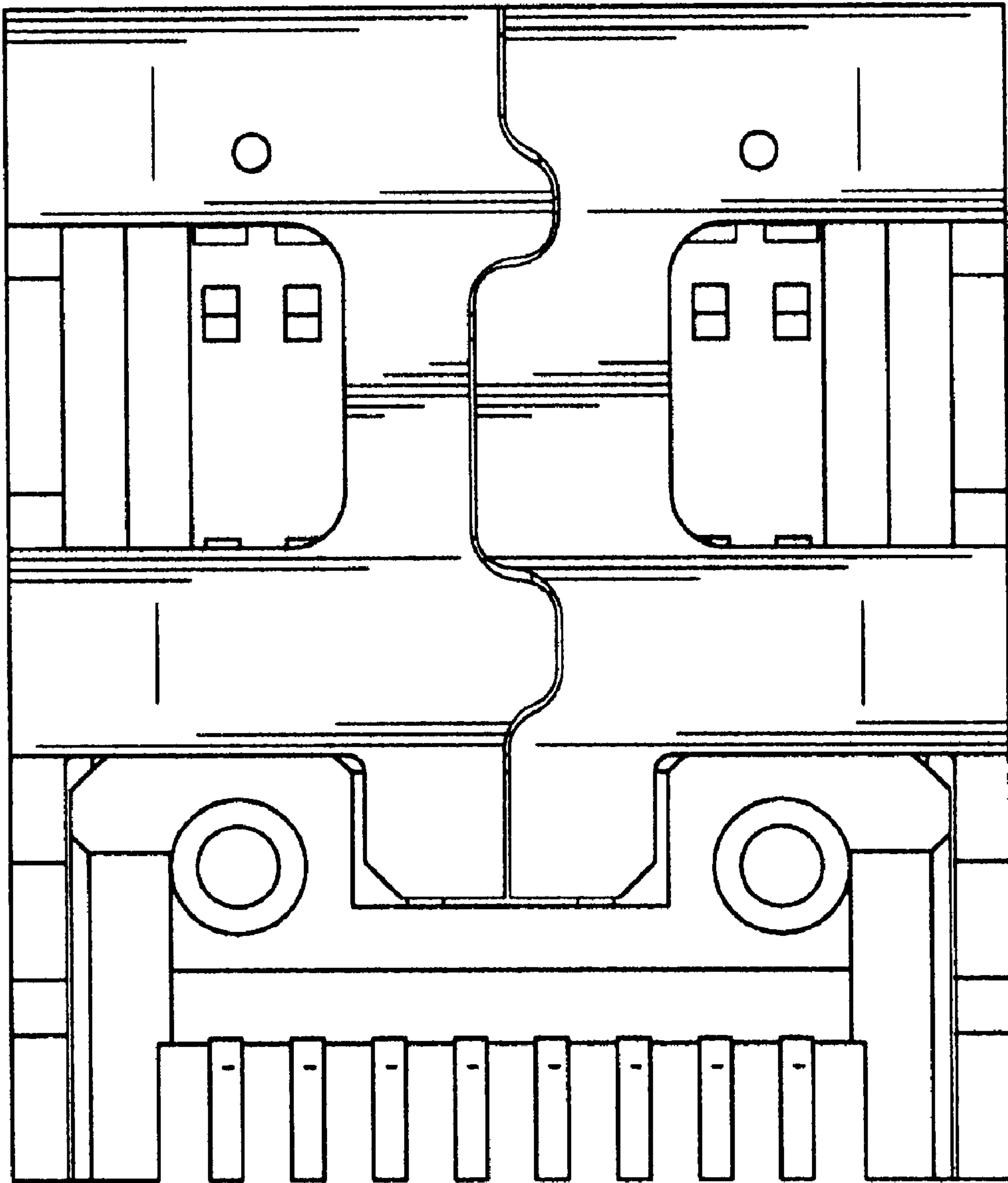


FIG. 7