

US00D523812S

(12) **United States Design Patent**  
**Brodin**

(10) **Patent No.:** **US D523,812 S**  
(45) **Date of Patent:** **\*\* Jun. 27, 2006**

(54) **CONNECTOR FOR MULTI-CONDUCTOR CABLE**

(75) Inventor: **Hans Karl Johan Brodin**, Enebyberg (SE)

(73) Assignee: **Atlas Copco Tools AB**, Nacka (SE)

(\*\*) Term: **14 Years**

(21) Appl. No.: **29/183,273**

(22) Filed: **Jun. 9, 2003**

(30) **Foreign Application Priority Data**

Dec. 9, 2002 (SE) ..... 02-1757

(51) **LOC (8) Cl.** ..... **13-03**

(52) **U.S. Cl.** ..... **D13/146; D13/147**

(58) **Field of Classification Search** ..... D13/133,  
D13/146, 147, 149, 154, 184, 199; 174/88 C;  
439/314-316, 359, 362, 372

See application file for complete search history.

(56) **References Cited**

**U.S. PATENT DOCUMENTS**

2,386,177 A \* 10/1945 Andersen ..... 439/294  
4,255,007 A \* 3/1981 Michaels et al. .... 439/332

D265,189 S \* 6/1982 Eriksson et al. .... D10/114  
4,795,360 A \* 1/1989 Newman et al. .... 439/278  
D320,001 S \* 9/1991 Hirabayashi ..... D13/146  
5,064,268 A \* 11/1991 Morency et al. .... 385/87  
D334,172 S \* 3/1993 Wilcoxon ..... D13/133  
D413,100 S \* 8/1999 Nakazawa ..... D13/146  
D420,644 S \* 2/2000 Nemser et al. .... D13/146  
D436,077 S \* 1/2001 Cheng ..... D13/133  
D499,071 S \* 11/2004 Conway et al. .... D13/133  
D505,918 S \* 6/2005 Conway et al. .... D13/147

\* cited by examiner

*Primary Examiner*—Stella Reid

*Assistant Examiner*—Daniel Bui

(74) *Attorney, Agent, or Firm*—Frishauf, Holtz, Goodman & Chick, P.C.

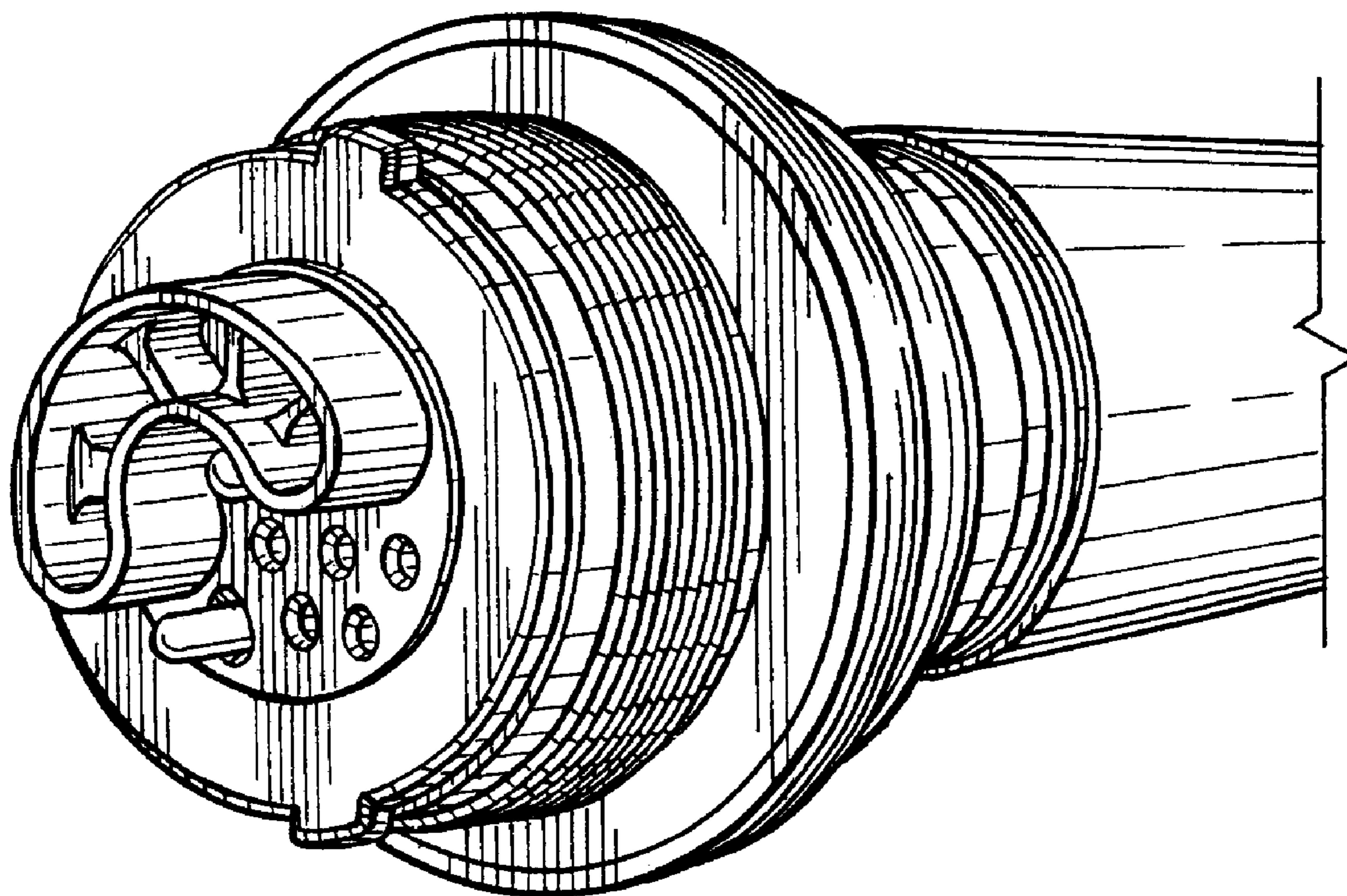
(57) **CLAIM**

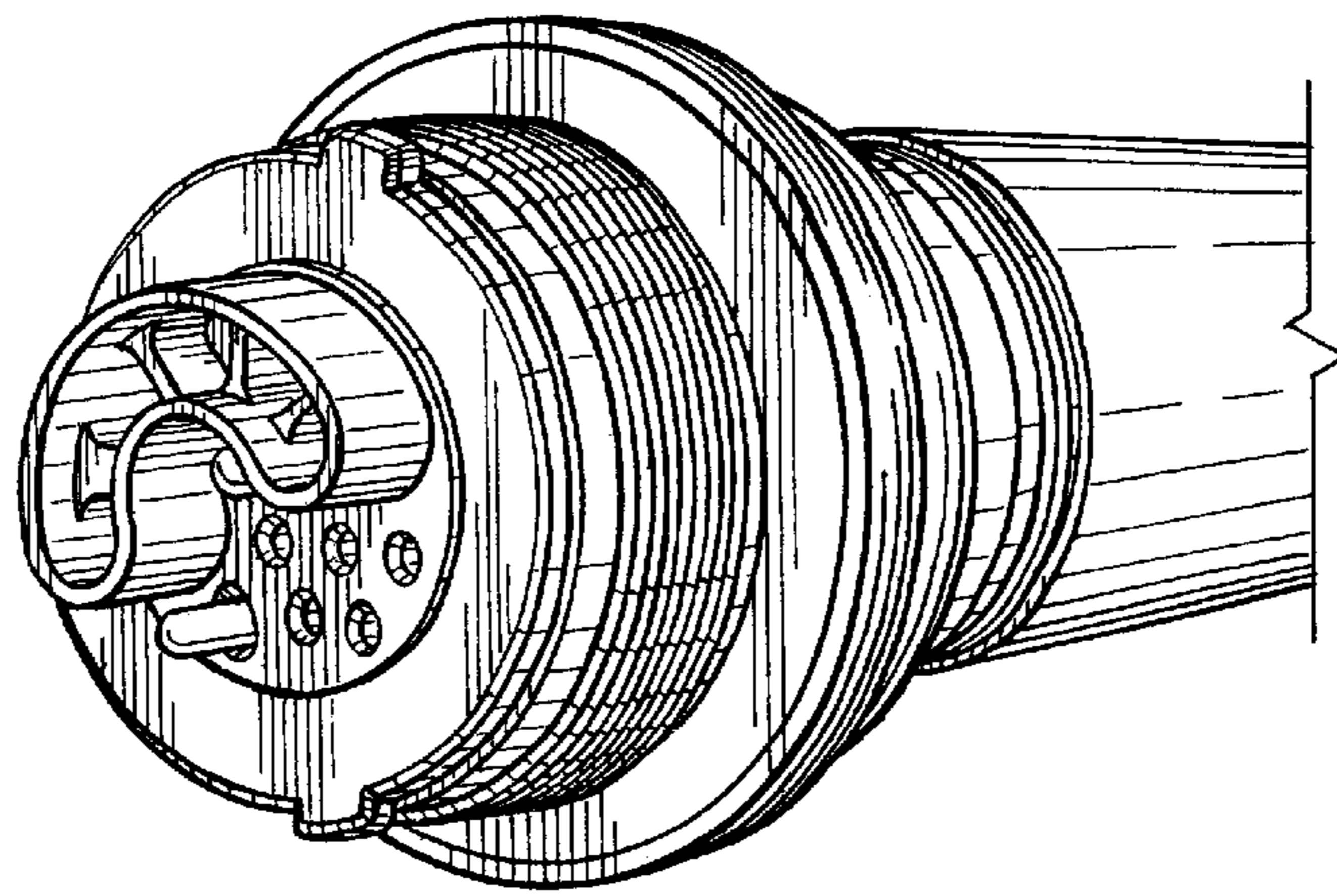
The ornamental design for a connector for multi-conductor cable, as shown and described.

**DESCRIPTION**

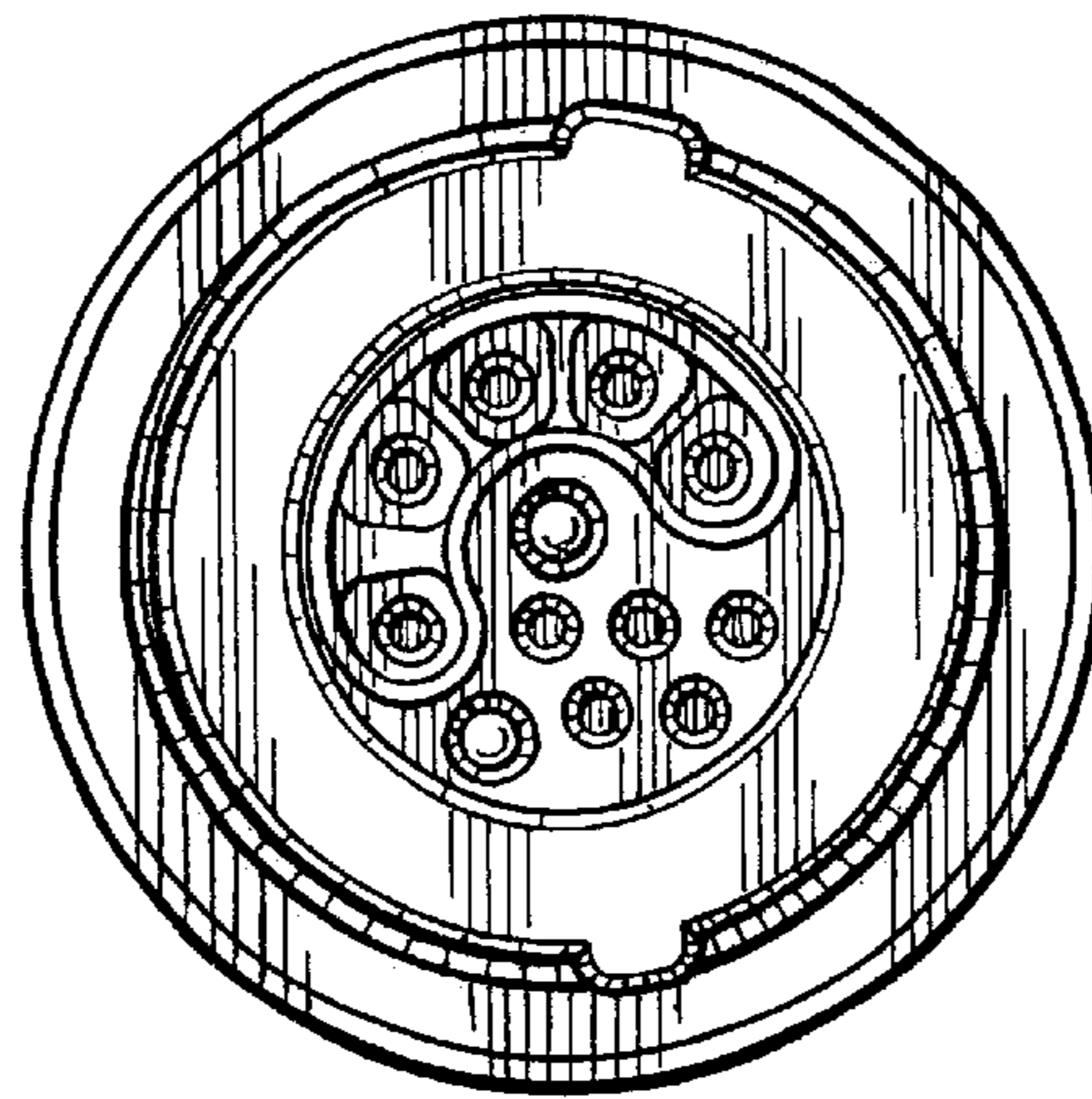
FIG. 1 is a front perspective view of a connector for multi-conductor cable, showing my new design; FIG. 2 is a front elevation view thereof; and, FIG. 3 is a rear perspective view thereof.

**1 Claim, 1 Drawing Sheet**

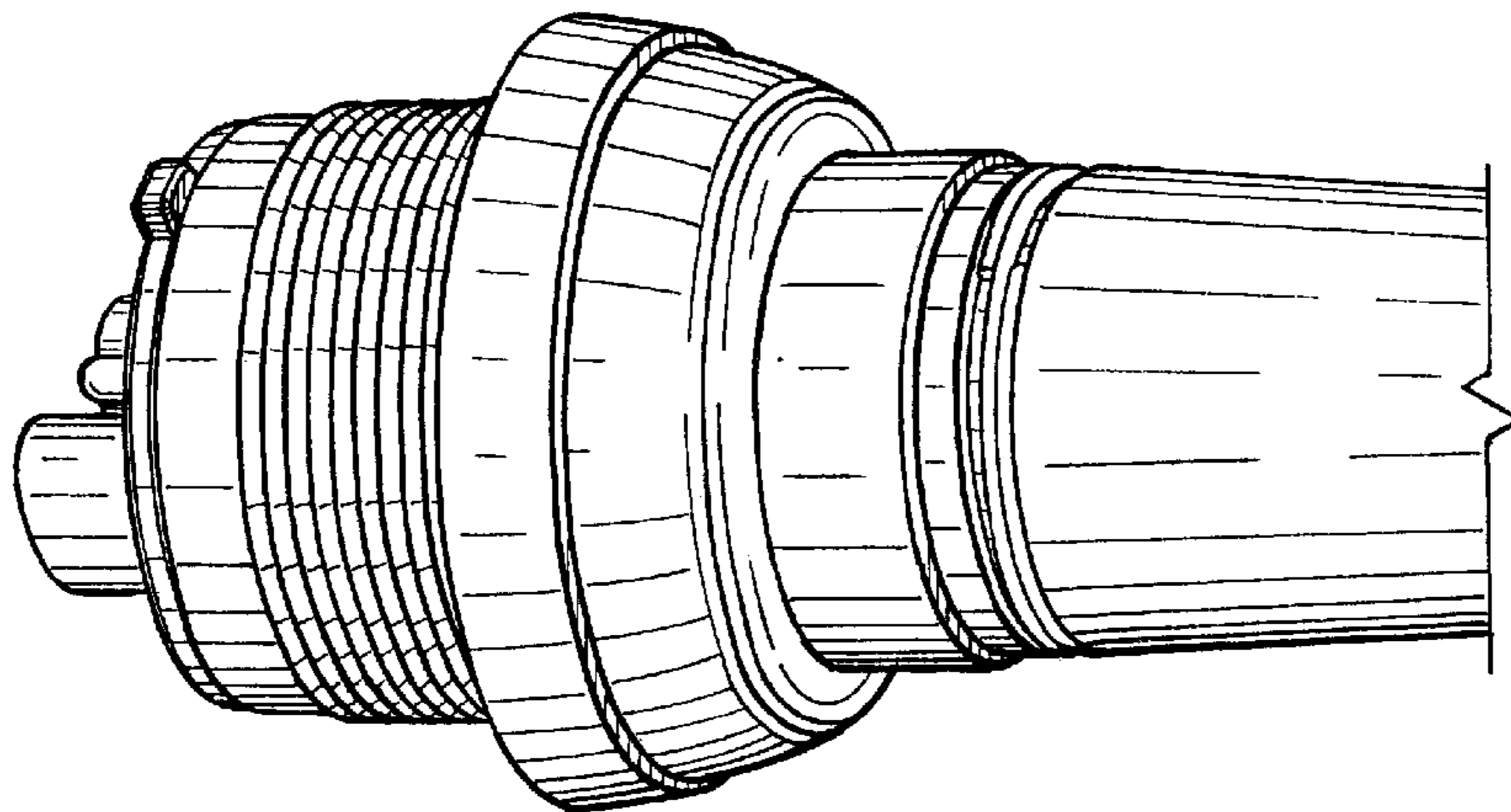




*Fig. 1*



*Fig. 2*



*Fig. 3*