



US00D523811S

(12) **United States Design Patent**
Pinson

(10) **Patent No.:** **US D523,811 S**

(45) **Date of Patent:** **** Jun. 27, 2006**

(54) **CONNECTOR TO ELECTROMECHANICAL PROGRAMMER**

(75) Inventor: **Clement Pinson**, Villeurbanne (FR)

(73) Assignee: **OTIO France**, Villeurbanne (FR)

(**) Term: **14 Years**

(21) Appl. No.: **29/226,091**

(22) Filed: **Mar. 24, 2005**

(30) **Foreign Application Priority Data**

Sep. 27, 2004 (EM) 000233523

(51) **LOC (8) Cl.** **13-03**

(52) **U.S. Cl.** **D13/137.2**

(58) **Field of Classification Search** D13/107,
D13/110, 123, 133, 137.1-139.8, 160; D14/433;
174/48-49, 53-58; 439/105-107, 535-536,
439/650-655, 692

See application file for complete search history.

(56) **References Cited**

U.S. PATENT DOCUMENTS

- 2,564,159 A * 8/1951 Greacen, Jr. 439/431
- D315,893 S * 4/1991 Cheng D13/165
- D340,441 S * 10/1993 Piret D13/137.1
- D352,472 S * 11/1994 Chen D10/40
- D429,688 S * 8/2000 Russo D13/123
- D432,990 S * 10/2000 Stekelenburg D13/137.3
- D437,296 S * 2/2001 Lin et al. D13/139.8

- D454,538 S * 3/2002 Glickman D13/110
- D480,358 S * 10/2003 Klant D13/110
- D481,357 S * 10/2003 Stekelenburg D13/139.8
- D486,450 S * 2/2004 Stekelenburg D13/137.3
- D494,138 S * 8/2004 Adams et al. D13/138.1

* cited by examiner

Primary Examiner—Alan P. Douglas

Assistant Examiner—Rosemary K. Tarcza

(74) *Attorney, Agent, or Firm*—Douglas E. Jackson; Stites & Harbison PLLC

(57) **CLAIM**

The ornamental design for a connector to electromechanical programmer, as shown and described.

DESCRIPTION

FIG. 1 is front view of a connector to electromechanical programmer according to the present invention.

FIG. 2 is a top view of the connector to electromechanical programmer depicted in FIG. 1.

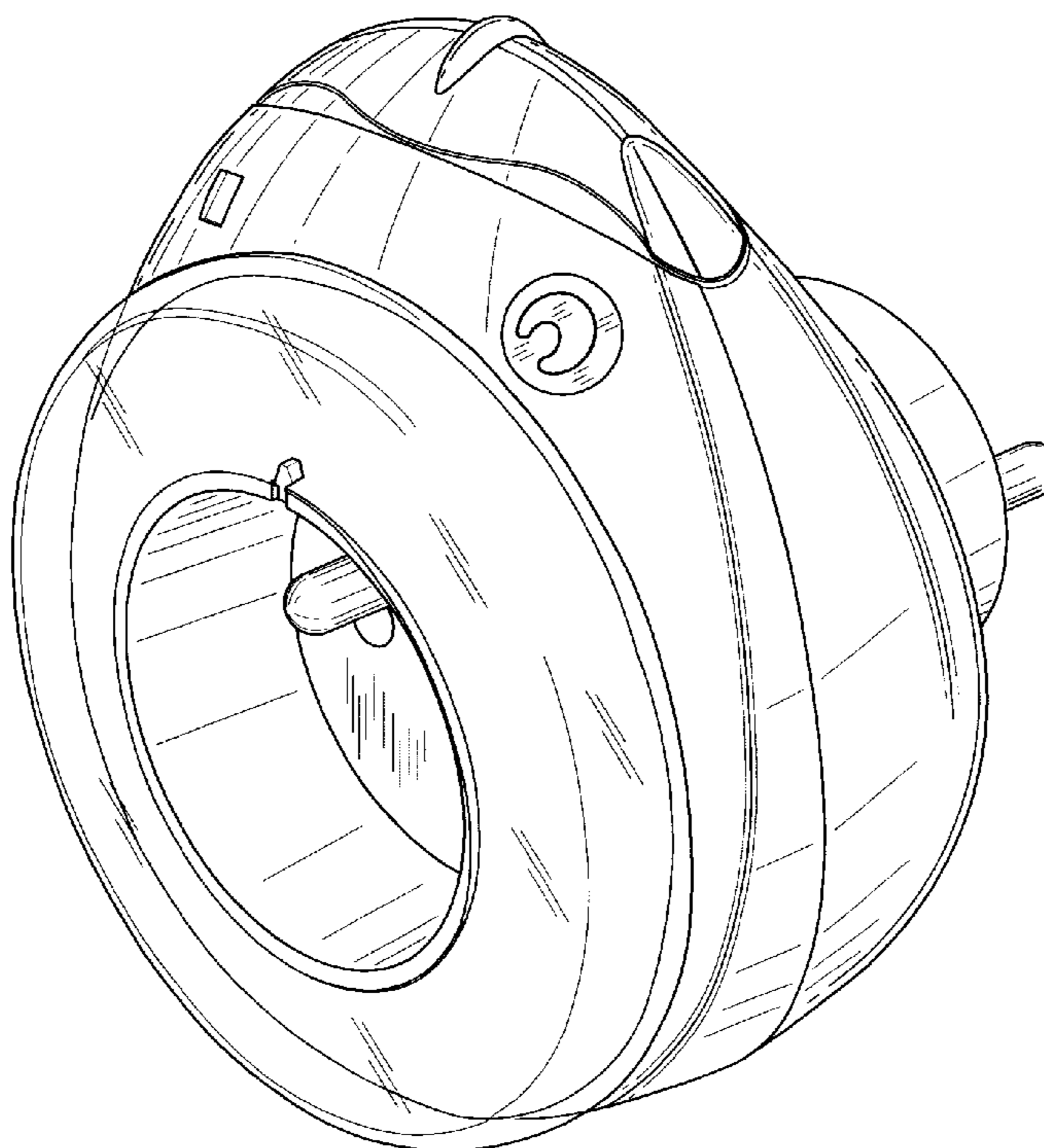
FIG. 3 is a left side view of the connector to electromechanical programmer depicted in FIG. 1, with the right side view being a mirror image thereof.

FIG. 4 is a bottom view of the connector to electromechanical programmer depicted in FIG. 1.

FIG. 5 is a rear view of the connector to electromechanical programmer depicted in FIG. 1; and,

FIG. 6 is a perspective front, top and right side view of the connector to electromechanical programmer depicted in FIG. 1.

1 Claim, 6 Drawing Sheets



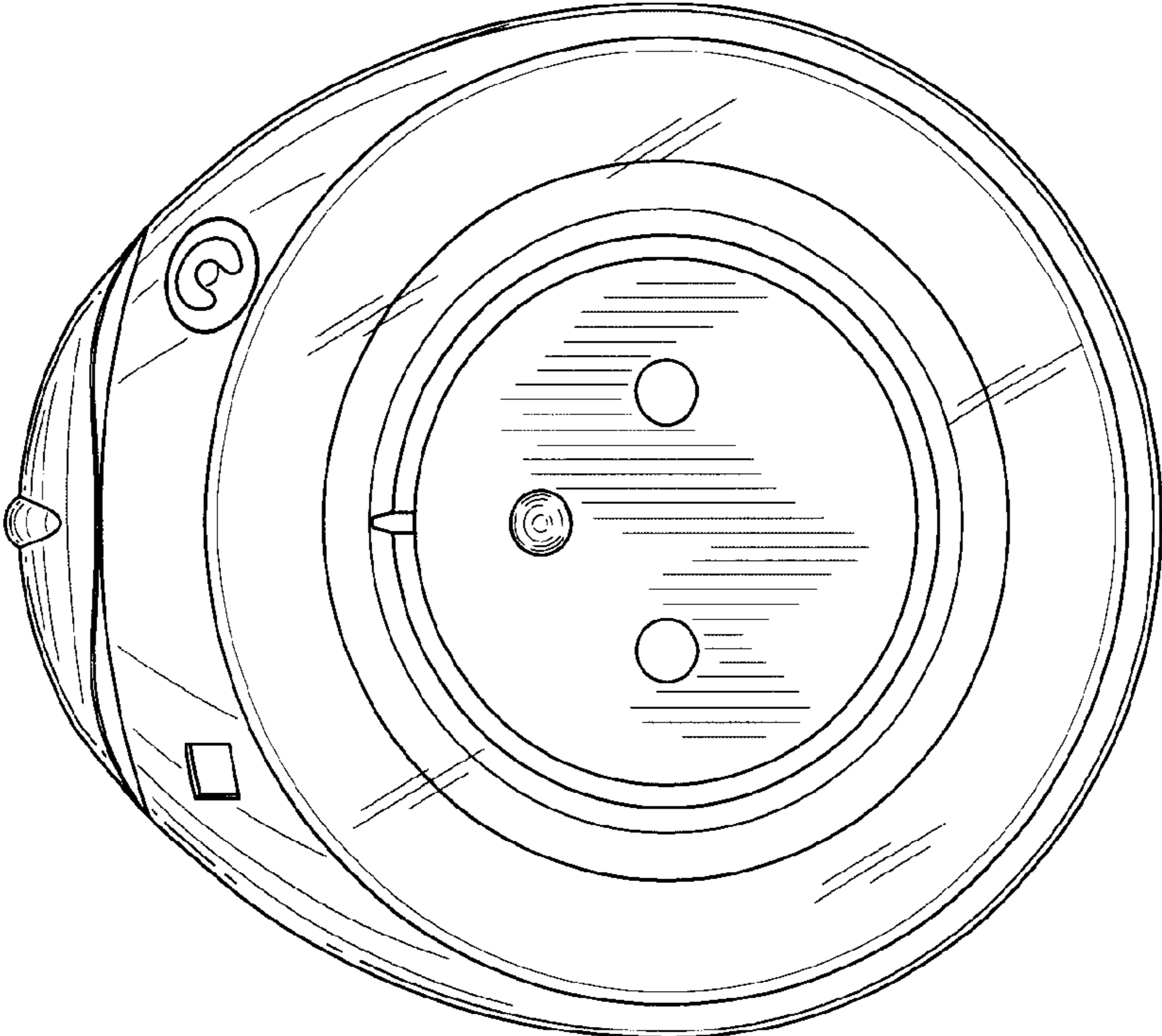


FIG. 1

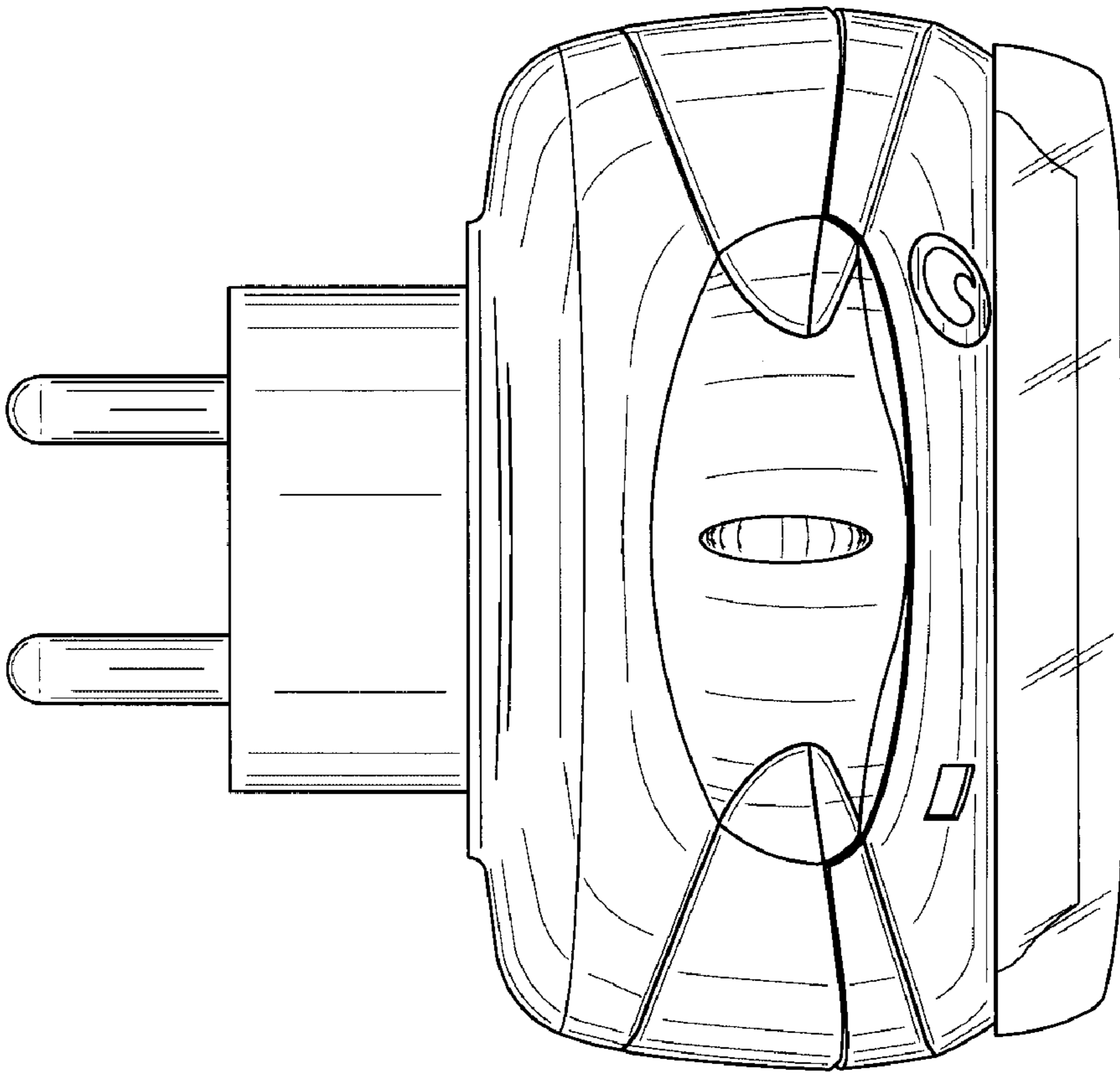


FIG. 2

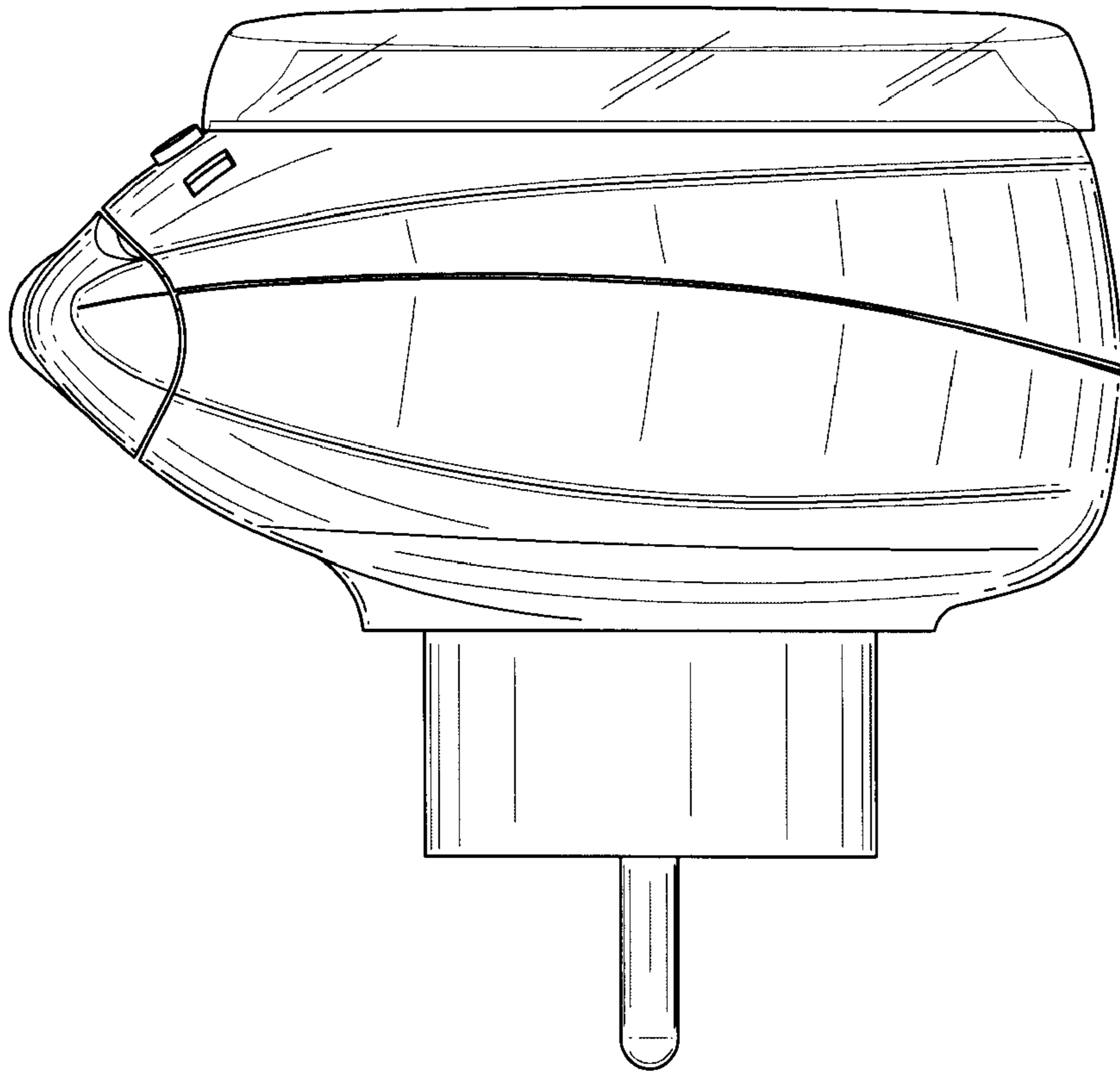


FIG. 3

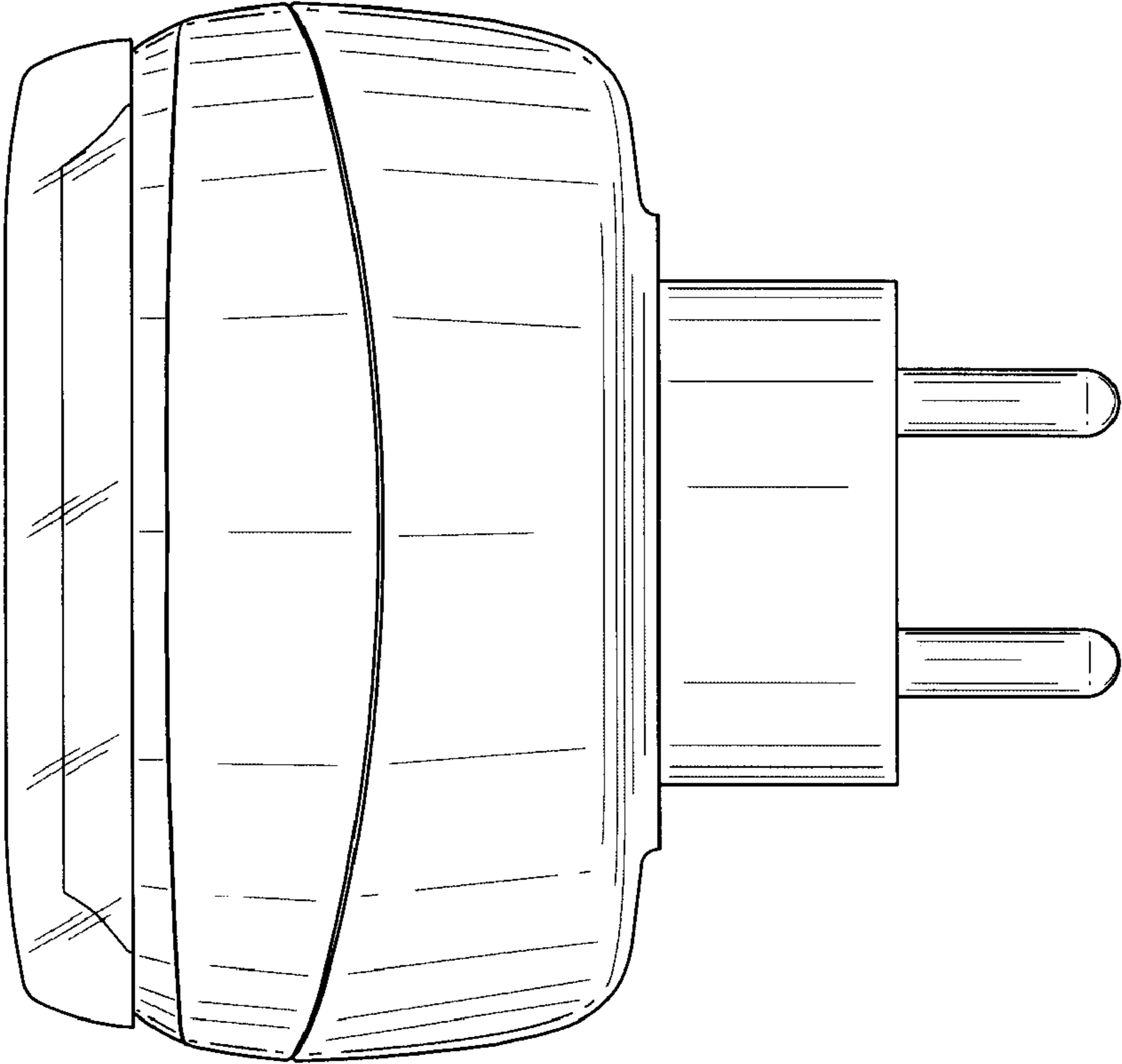


FIG. 4

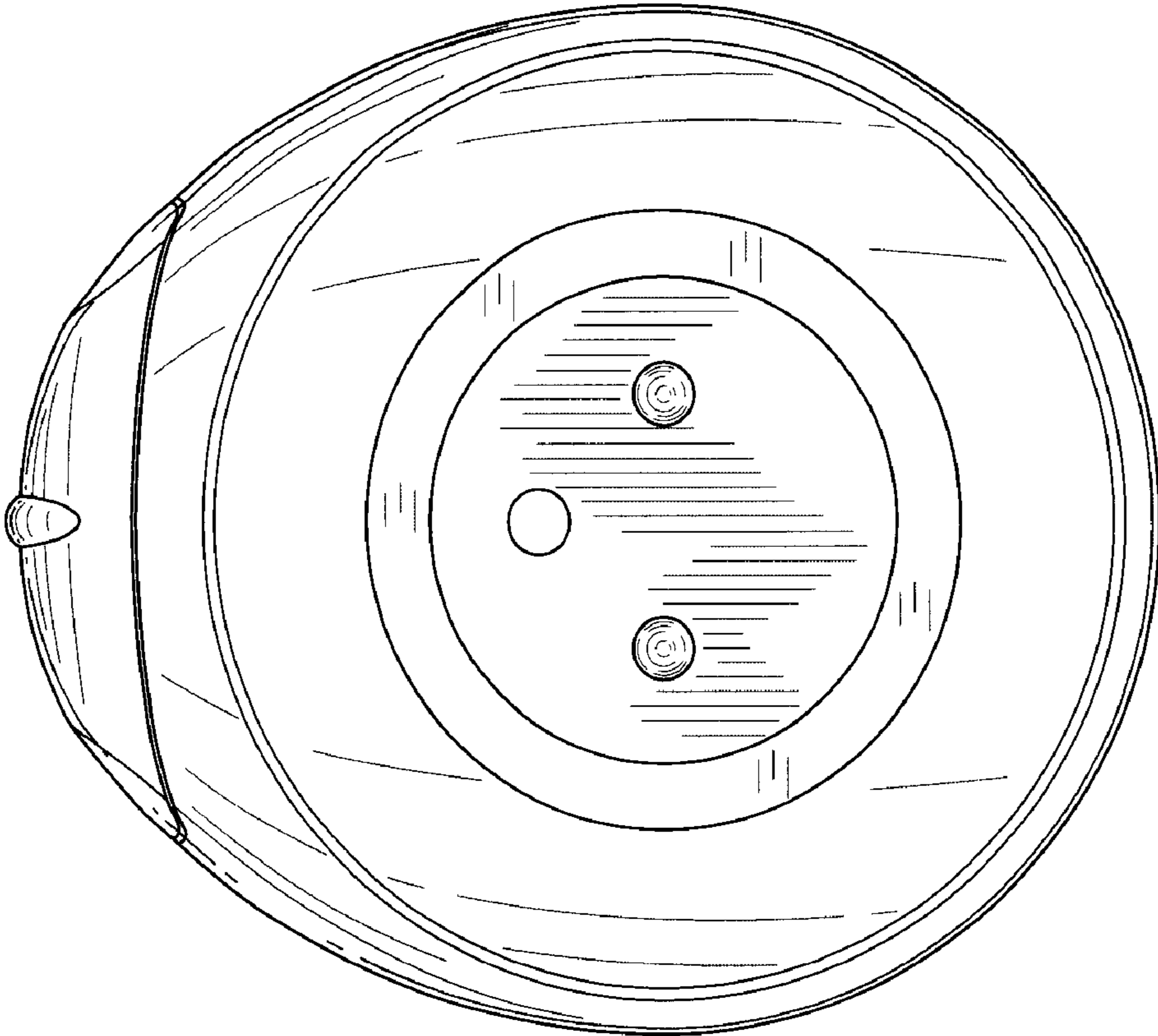


FIG. 5

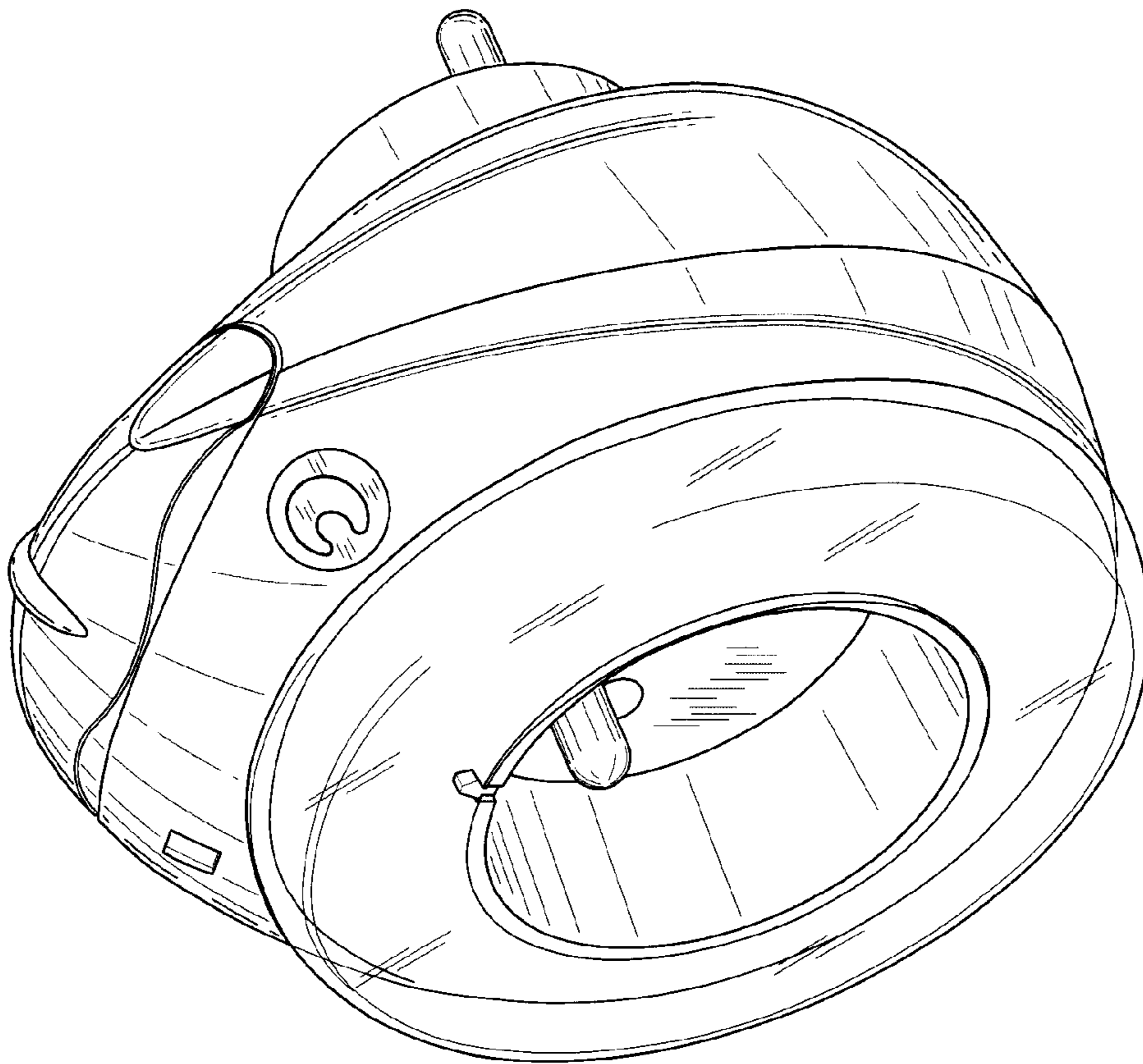


FIG. 6