

US00D523810S

(12) **United States Design Patent**
Doong

(10) **Patent No.:** **US D523,810 S**
(45) **Date of Patent:** **** Jun. 27, 2006**

(54) **FLASHLIGHT CHARGER**

(75) Inventor: **Ding-Ho Doong**, Taipei (TW)

(73) Assignee: **Potrans Electrial Corp. Ltd.**, Taipei (TW)

(**) Term: **14 Years**

(21) Appl. No.: **29/229,762**

(22) Filed: **May 10, 2005**

(51) **LOC (8) Cl.** **13-02**

(52) **U.S. Cl.** **D13/108**

(58) **Field of Classification Search** D13/107-110,
D13/118-119, 184; D14/155, 251, 253, 432,
D14/434; D32/73; 320/107-115
See application file for complete search history.

(56) **References Cited**

U.S. PATENT DOCUMENTS

D241,555 S	*	9/1976	Goldman et al.	D13/107
D278,704 S	*	5/1985	Claxton et al.	D13/107
D350,329 S	*	9/1994	Lindeman et al.	D13/107
D389,799 S	*	1/1998	Somers	D13/107
D396,687 S	*	8/1998	Somers	D13/107
D397,084 S	*	8/1998	Siddoway	D13/107
D401,552 S	*	11/1998	Tanaka et al.	D13/107
D418,108 S	*	12/1999	Snider	D13/108
D453,731 S	*	2/2002	Hauptli	D13/108

D461,814 S	*	8/2002	Felix et al.	D14/434
D509,788 S	*	9/2005	Schlieffers et al.	D13/108
D510,562 S	*	10/2005	Lodato et al.	D13/108
2004/0080298 A1	*	4/2004	Maggert et al.	320/107

* cited by examiner

Primary Examiner—Alan P. Douglas

Assistant Examiner—Rosemary K. Tarcza

(74) *Attorney, Agent, or Firm*—Kramer Levin Frankel & Naftalis LLP

(57) **CLAIM**

The ornamental design for flashlight charger, as shown and described.

DESCRIPTION

FIG. 1 is a perspective view of flashlight charger showing my new design;

FIG. 2 is a front elevational view thereof;

FIG. 3 is a rear elevational view thereof;

FIG. 4 is a left side elevational view thereof;

FIG. 5 is a right side elevational view thereof;

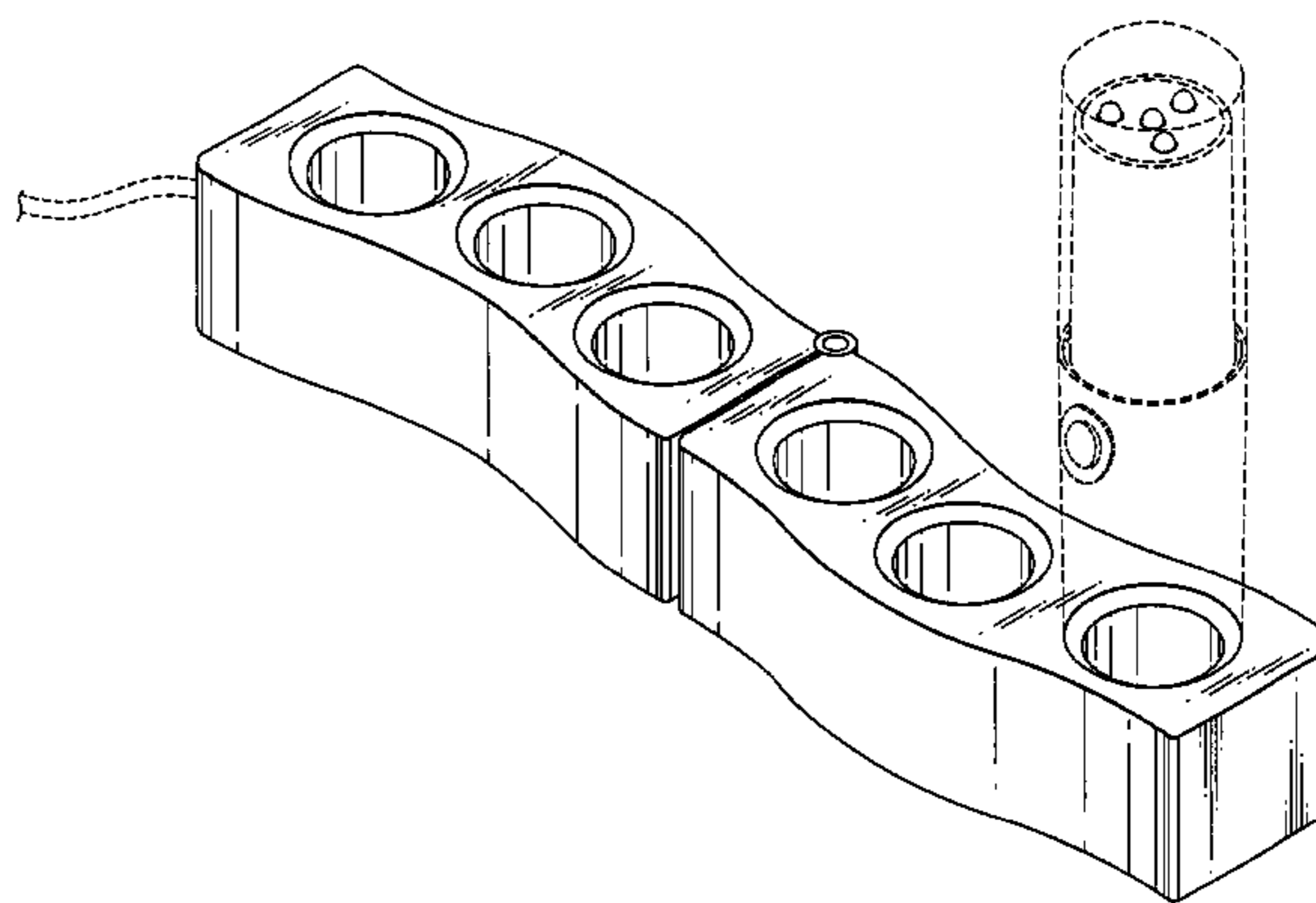
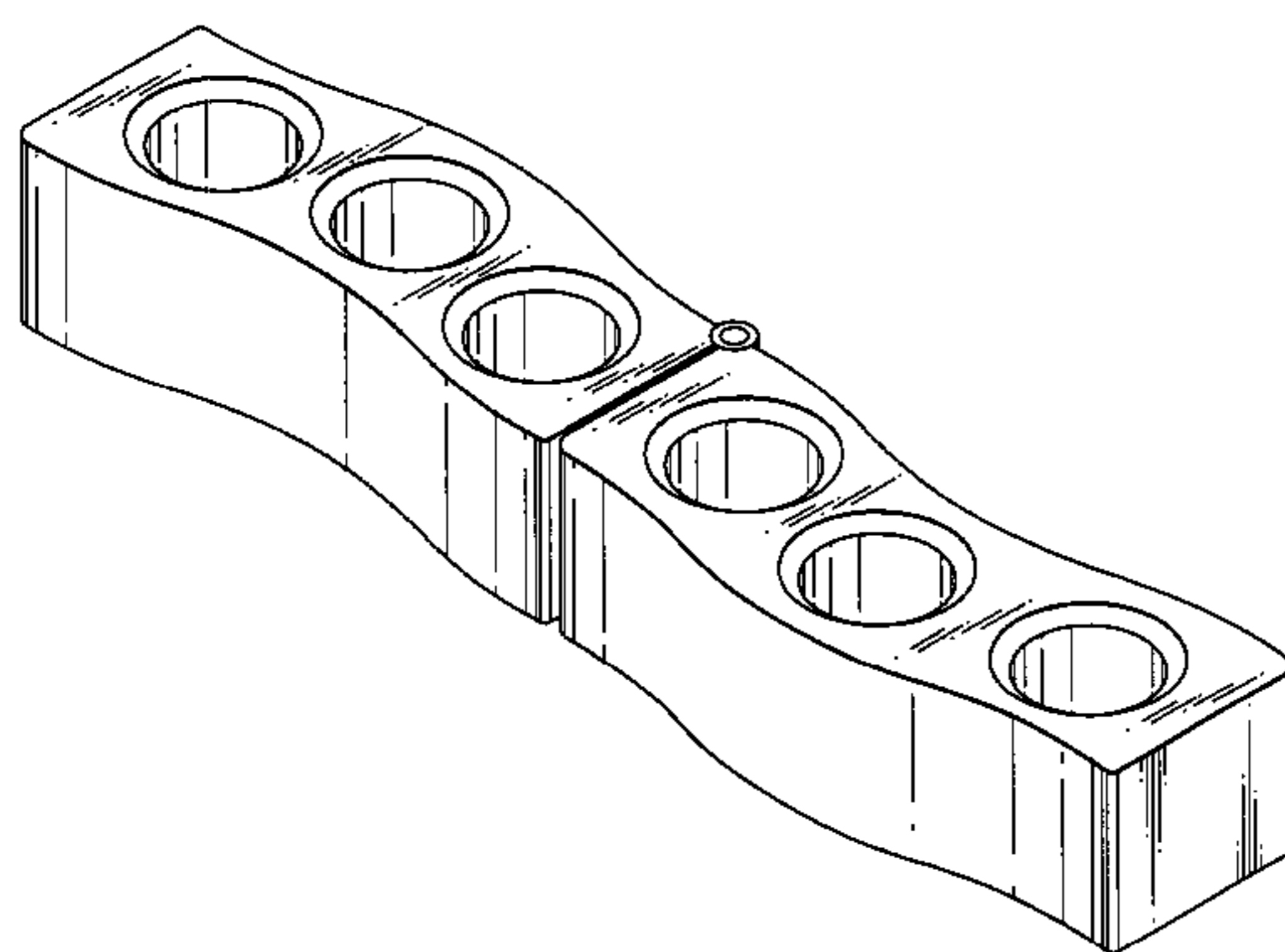
FIG. 6 is a top plan view thereof;

FIG. 7 is a bottom plan view thereof; and,

FIG. 8 is another perspective view in use.

The broken line showing a flashlight charger is for illustrative purposes only and forms no part of the claimed design.

1 Claim, 5 Drawing Sheets



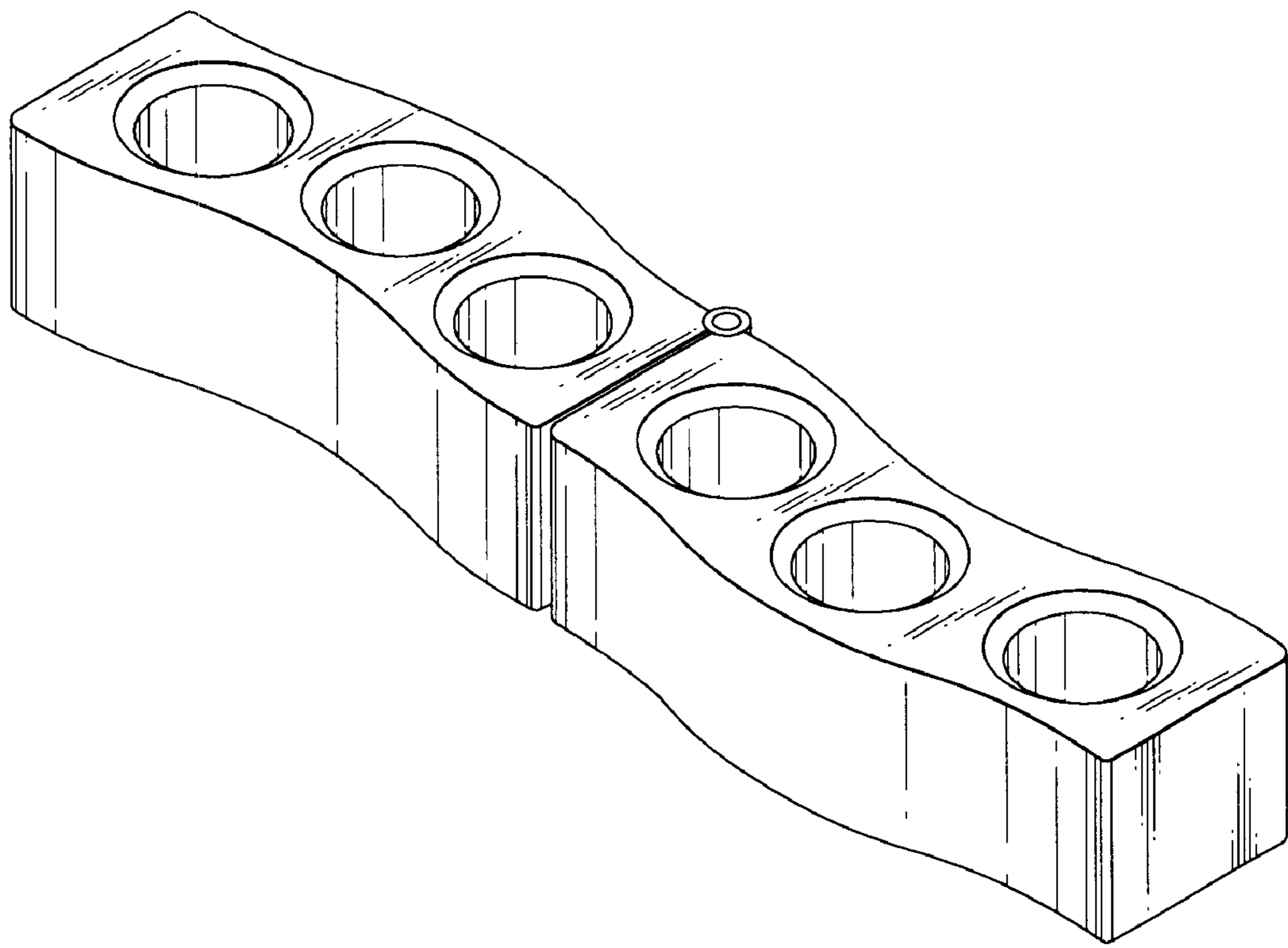


FIG. 1

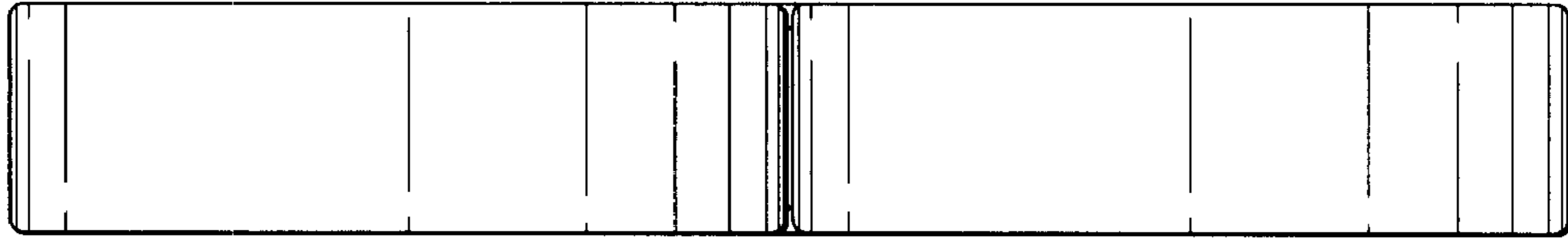


FIG. 2

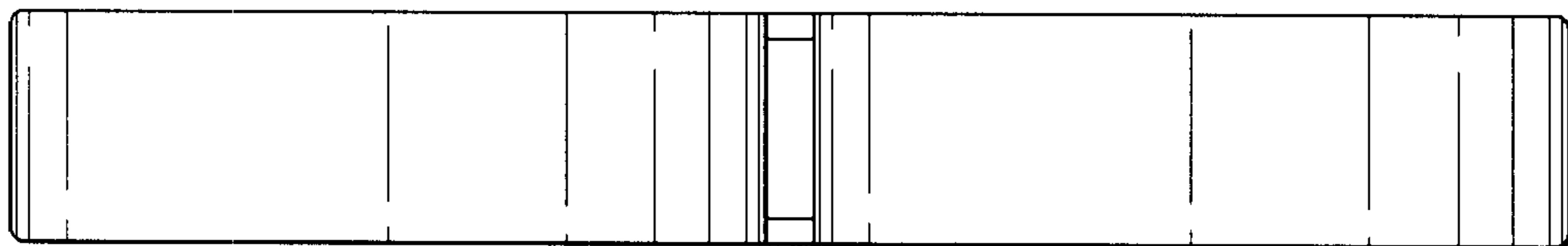


FIG. 3

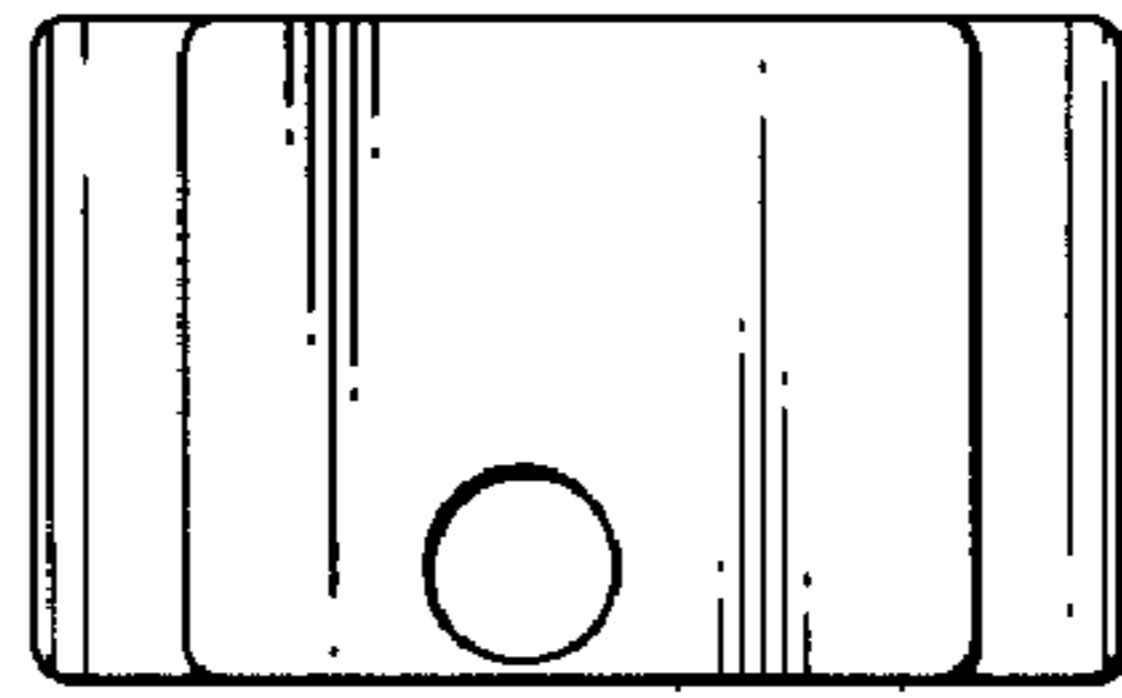


FIG. 4

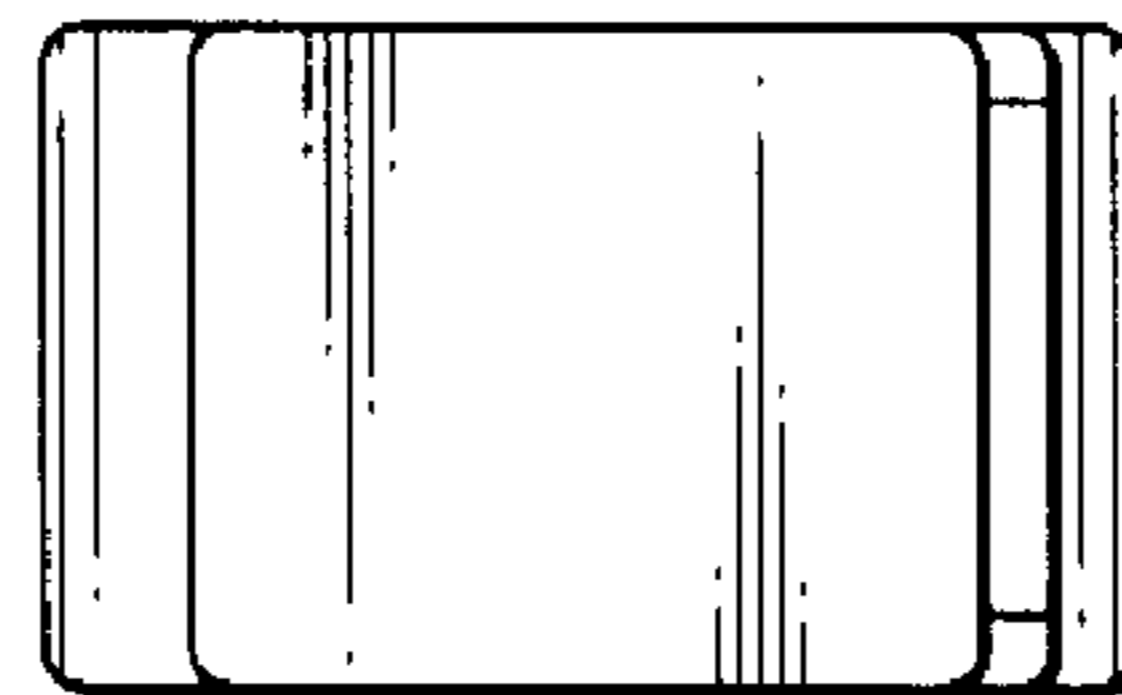


FIG. 5

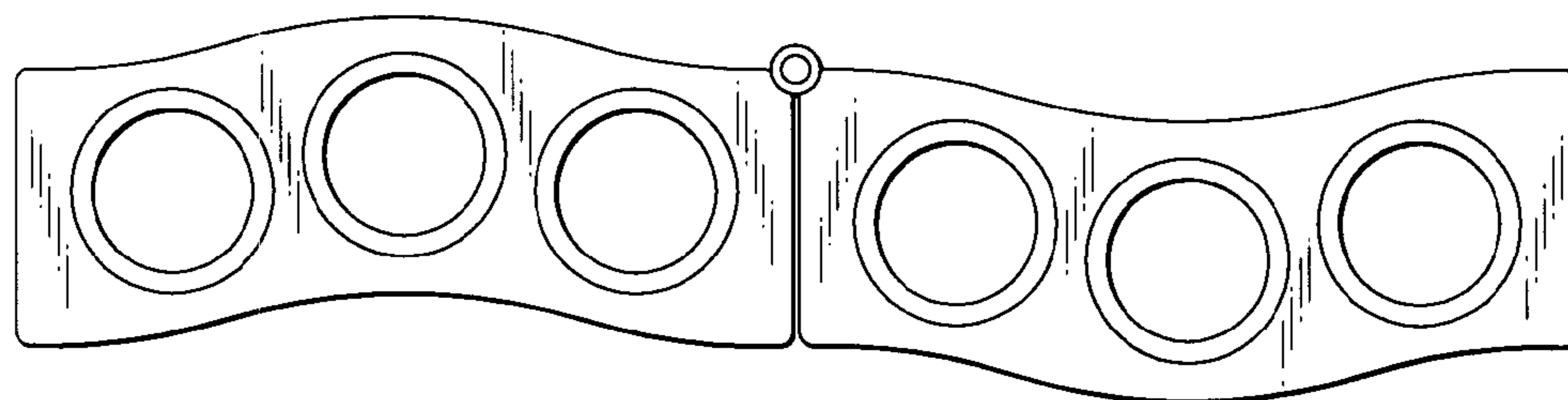


FIG. 6

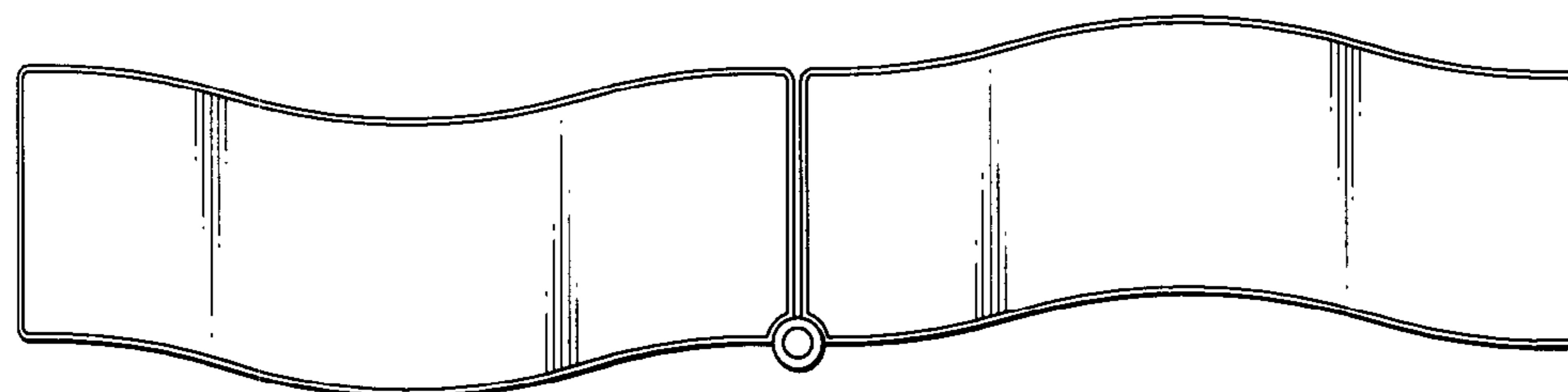


FIG. 7

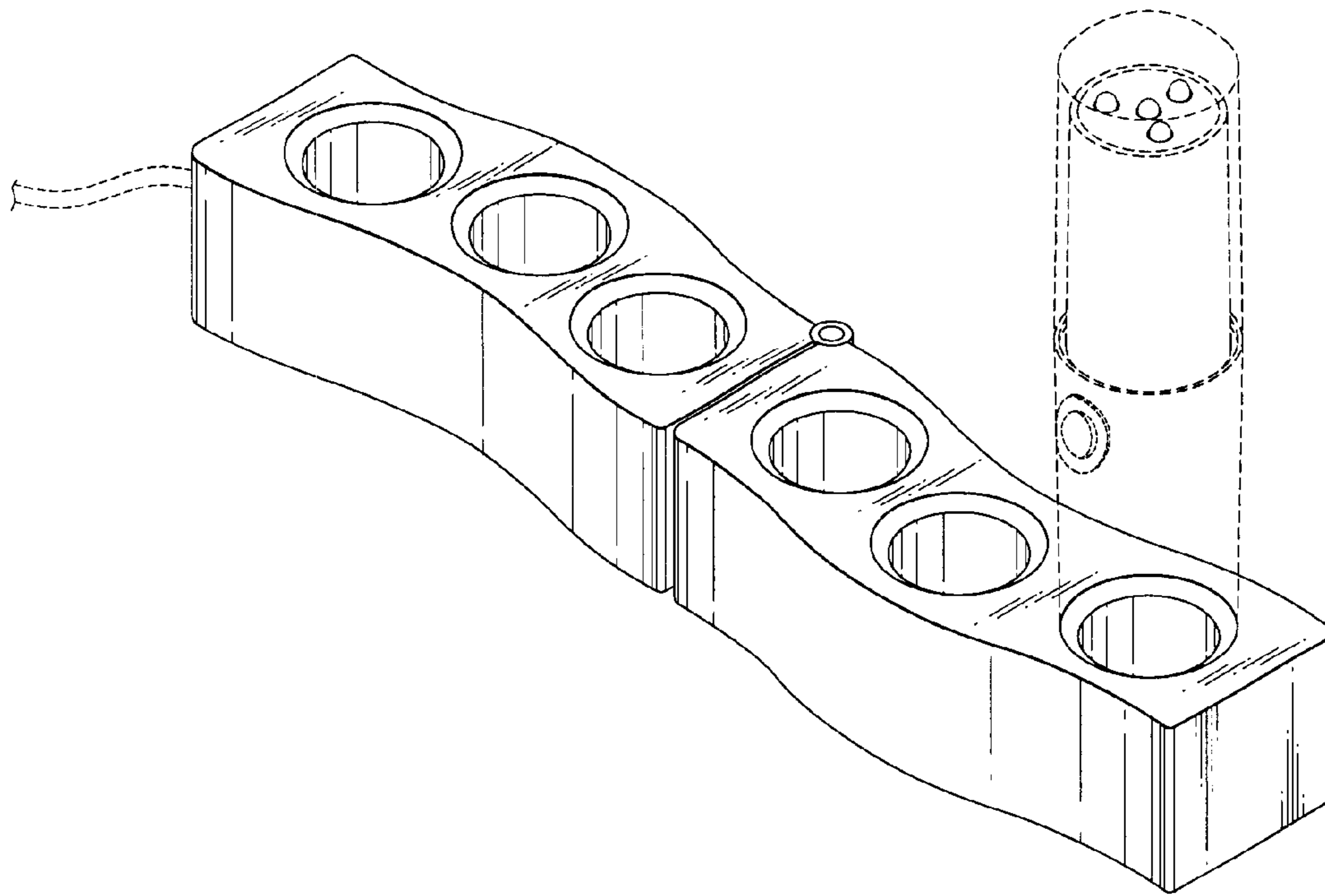


FIG. 8