



US00D523808S

(12) **United States Design Patent**
Thor et al.

(10) **Patent No.:** **US D523,808 S**
(45) **Date of Patent:** **** Jun. 27, 2006**

(54) **RECHARGEABLE BATTERY PACK**

(75) Inventors: **Swee Theam Thor**, Penang (MY);
Wooi Heong Chew, Pul (MY); **Aik Teng Tan**, Pinang (MY); **Seng Hai Tan**, Pul (MY)

(73) Assignee: **Motorola, Inc.**, Schaumburg, IL (US)

(**) Term: **14 Years**

(21) Appl. No.: **29/228,537**

(22) Filed: **Apr. 25, 2005**

(51) **LOC (8) Cl.** **13-02**

(52) **U.S. Cl.** **D13/103**

(58) **Field of Classification Search** D13/102-106,
D13/110, 118-119, 184; 429/96-100, 163,
429/176

See application file for complete search history.

(56) **References Cited**

U.S. PATENT DOCUMENTS

D277,747 S	*	2/1985	Toth	D13/103
D346,580 S	*	5/1994	Tattari	D13/103
D346,581 S	*	5/1994	Tattari	D13/103
D358,127 S	*	5/1995	Berry	D13/103
5,667,906 A	*	9/1997	Huang	429/90
D403,658 S	*	1/1999	Nuovo et al.	D13/103
D405,753 S	*	2/1999	Nuovo et al.	D13/103
D410,623 S	*	6/1999	Kolinen	D13/103
D410,892 S	*	6/1999	Prior	D13/103

D412,484 S	*	8/1999	Salmi	D13/103
D417,428 S	*	12/1999	Kolinen et al.	D13/103
D446,766 S	*	8/2001	Han et al.	D13/103
D510,722 S	*	10/2005	Kosiba et al.	D13/103

OTHER PUBLICATIONS

U.S. Appl. No. 29/212,157, filed Aug. 28, 2004, Kosiba et al., FIG. 1, (Motorola Inc.).

* cited by examiner

Primary Examiner—Alan P. Douglas

Assistant Examiner—Rosemary K. Tarcza

(74) *Attorney, Agent, or Firm*—Hisashi D. Watanabe

(57) **CLAIM**

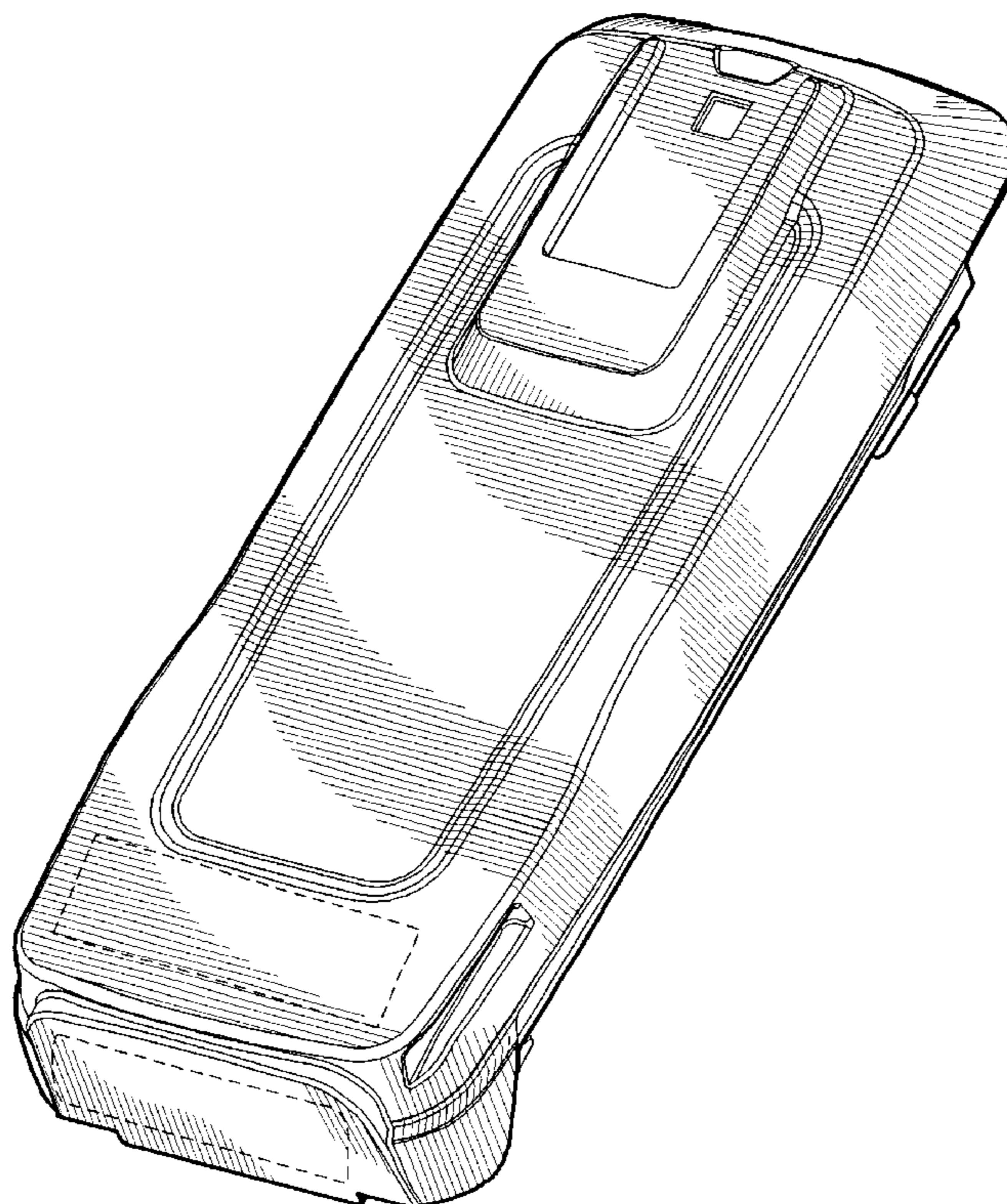
The ornamental design for a rechargeable battery pack, as shown and described.

DESCRIPTION

FIG. 1 is a front, bottom, left perspective view of a rechargeable battery pack showing our new design; FIG. 2 is a front, elevation view thereof; FIG. 3 is a rear, elevation view thereof; FIG. 4 is a right, elevation view thereof; FIG. 5 is a left, elevation view thereof; FIG. 6 is a bottom, plan view thereof; and, FIG. 7 is a top, plan view thereof.

The elements shown in dashed lines indicate unclaimed subject matter by outline.

1 Claim, 3 Drawing Sheets



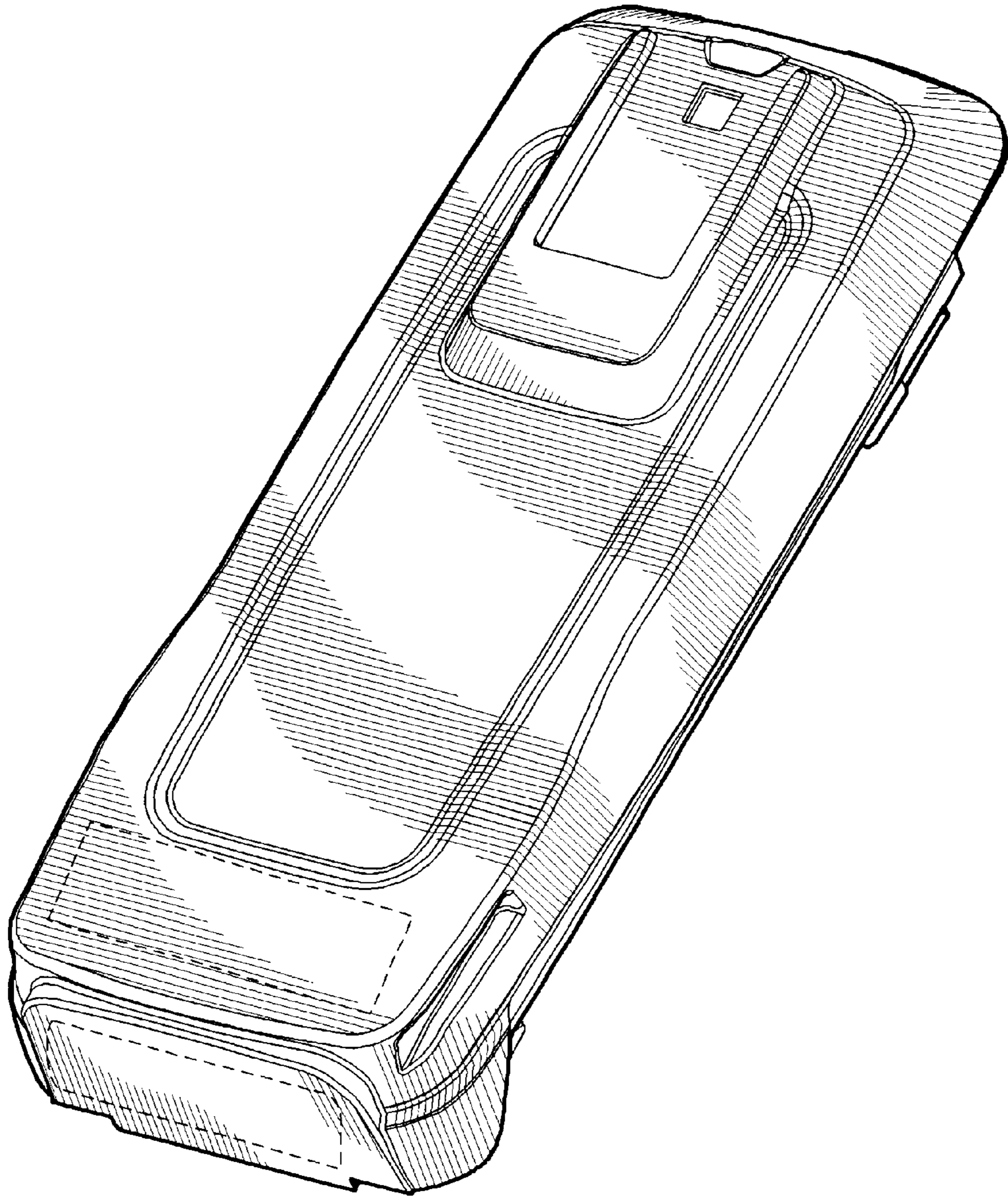


FIG. 1

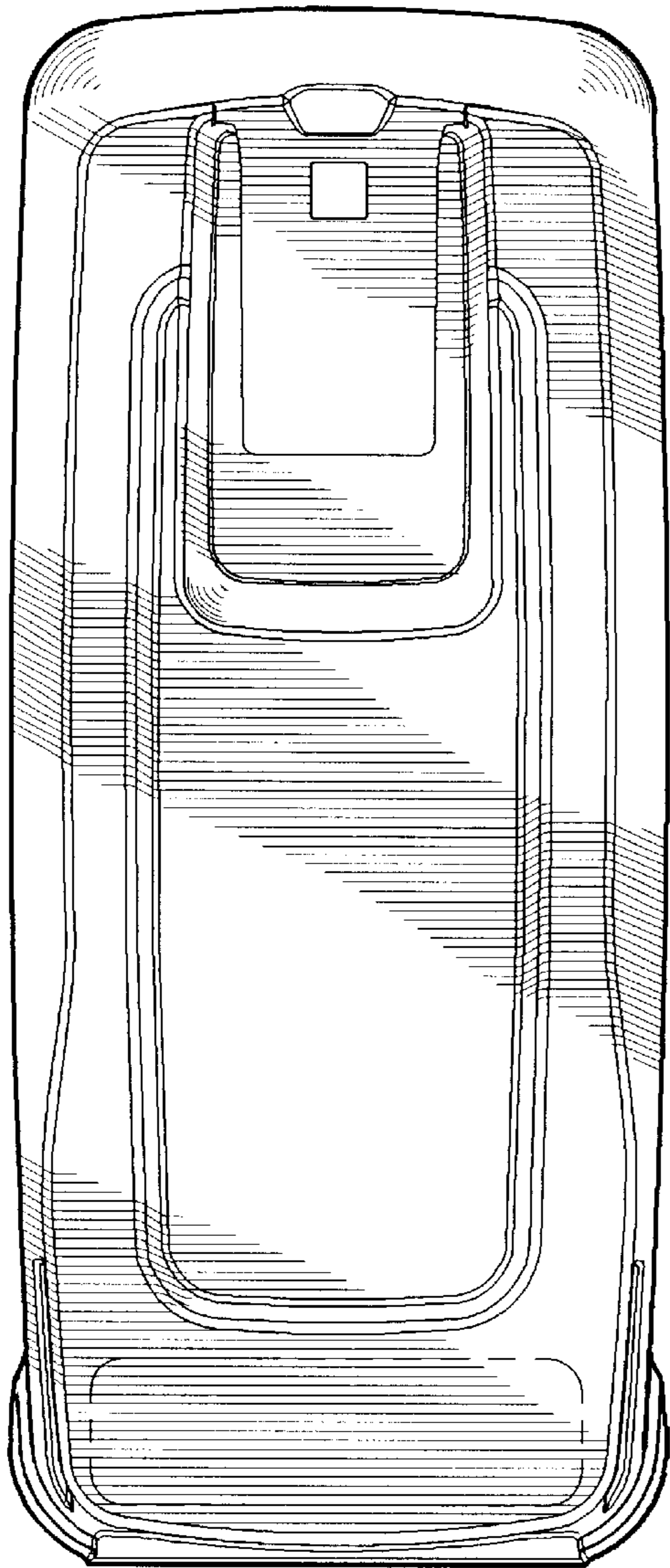


FIG. 2

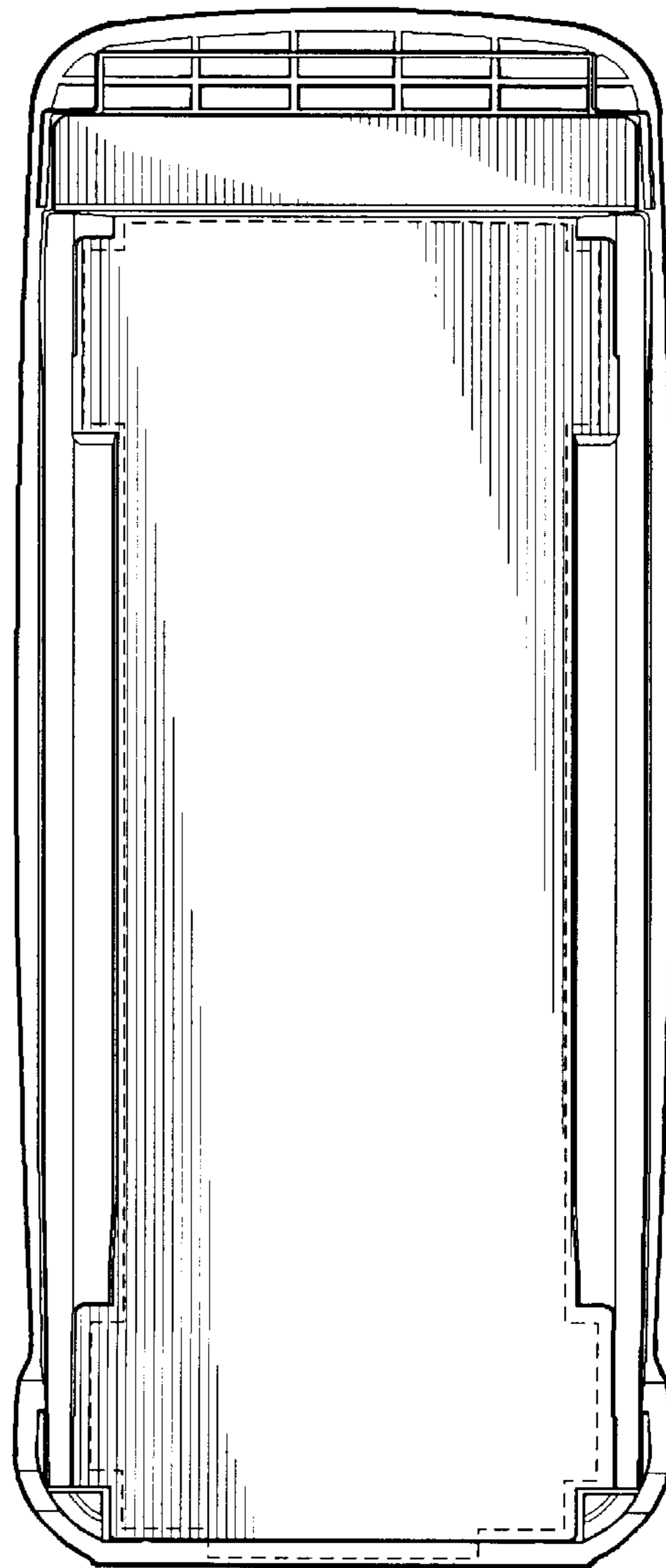


FIG. 3

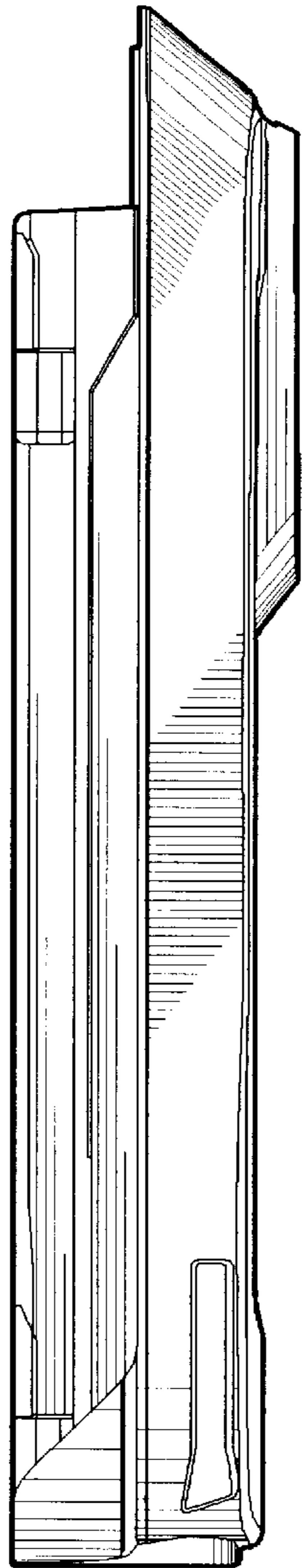


FIG. 4

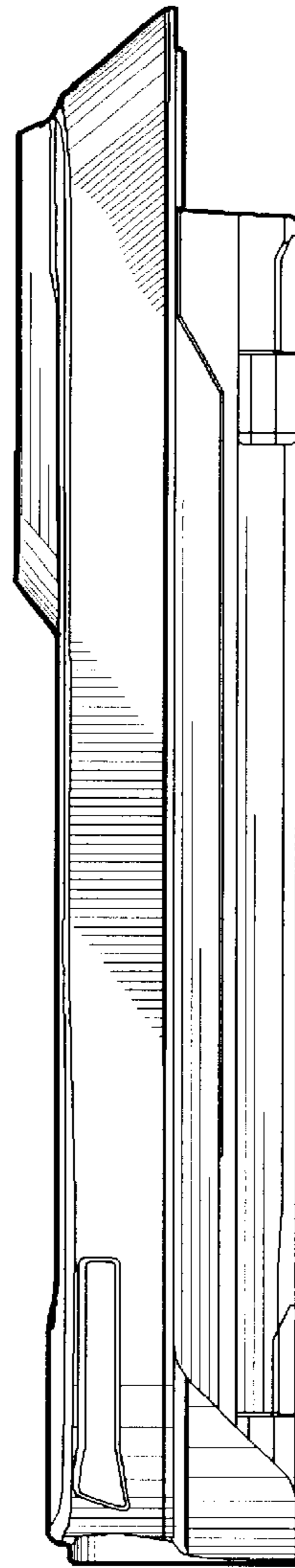


FIG. 5

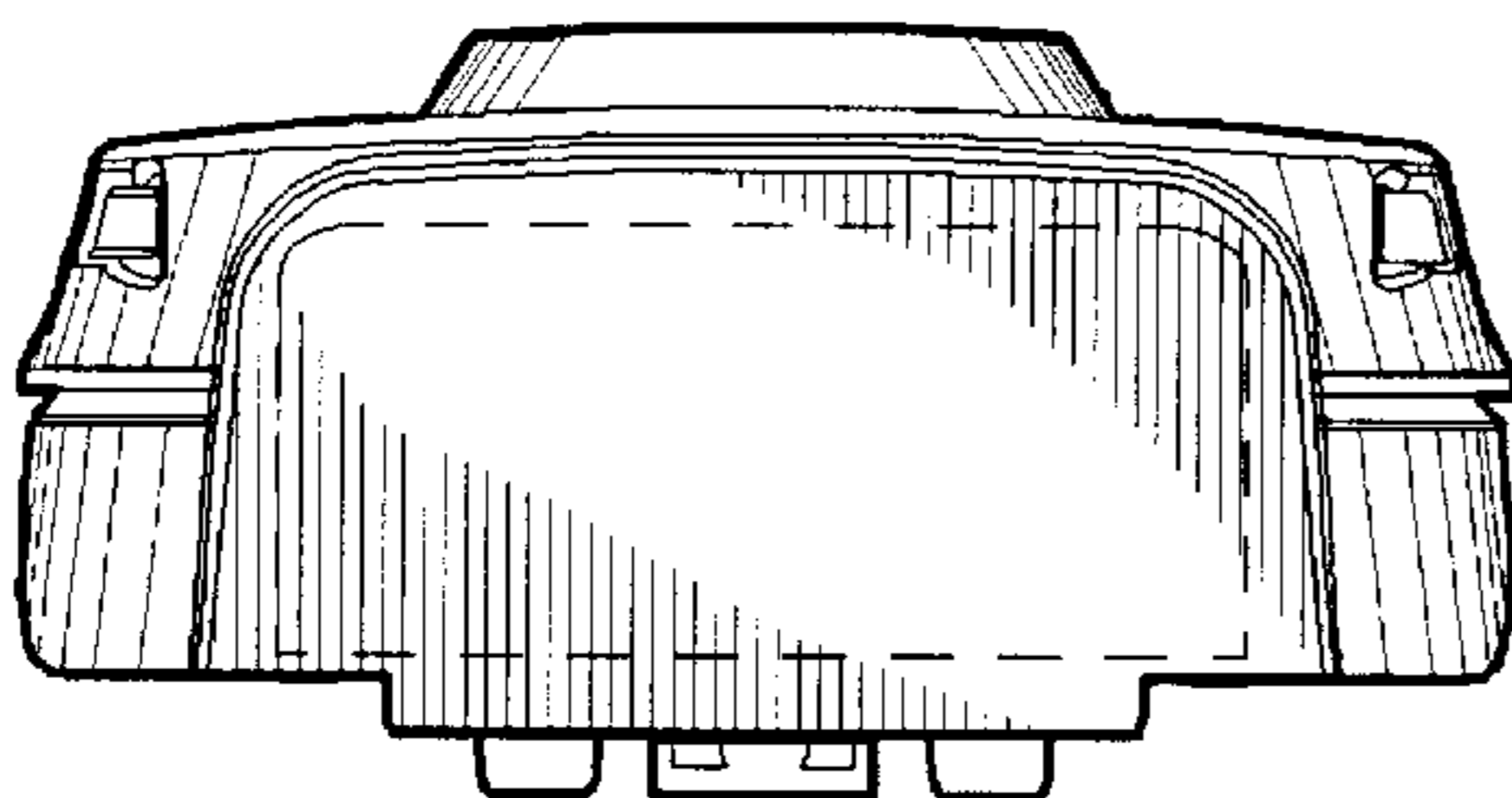


FIG. 6

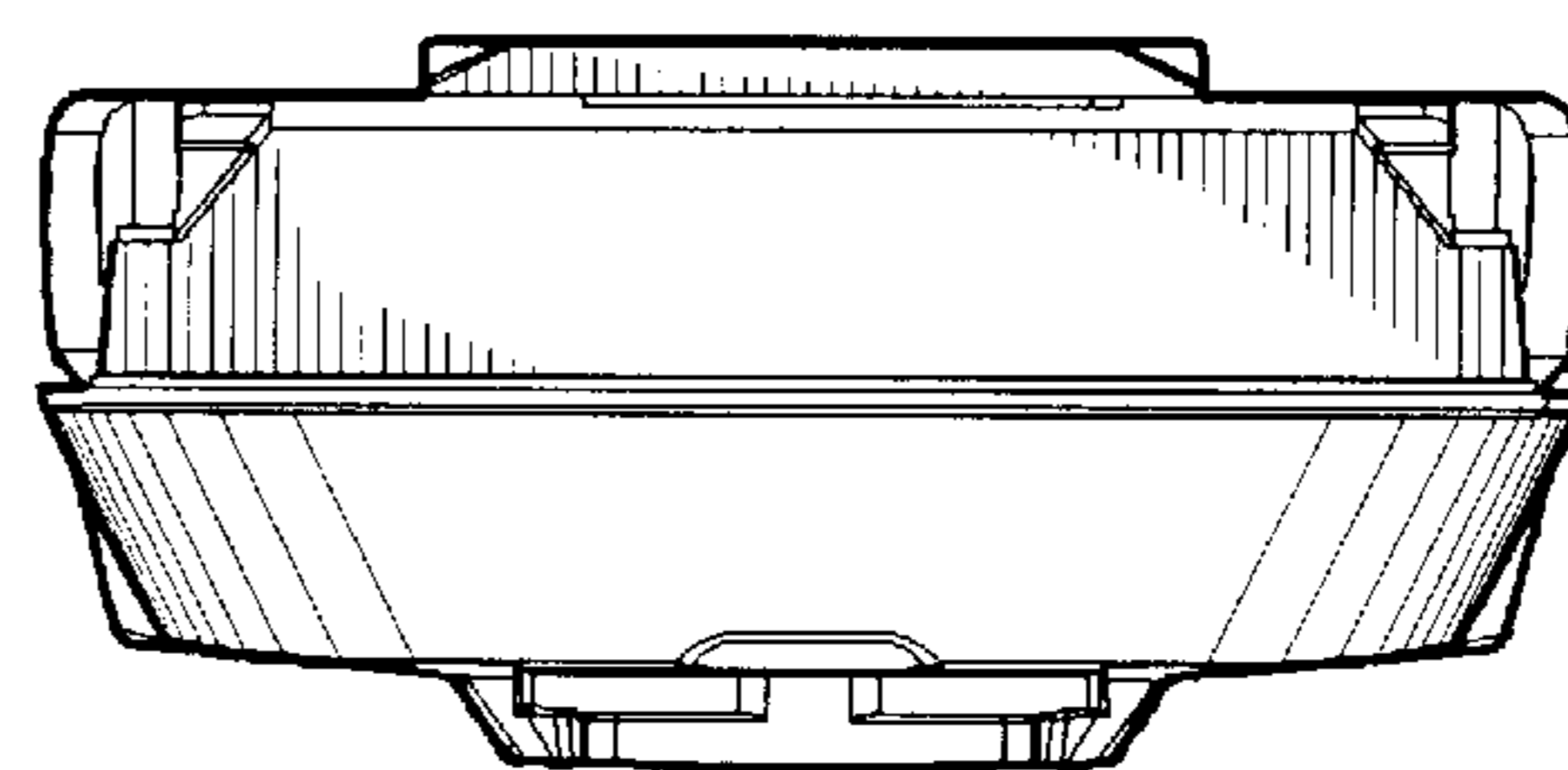


FIG. 7