



US00D523805S

(12) **United States Design Patent** (10) **Patent No.:** **US D523,805 S**
Martin (45) **Date of Patent:** **** Jun. 27, 2006**

(54) **COMBINED WHEEL FACE AND TIRE FOR A LAWN MOWER**

(75) Inventor: **David J. Martin**, Eden Prairie, MN (US)

(73) Assignee: **The Toro Company**, Bloomington, MN (US)

(**) Term: **14 Years**

(21) Appl. No.: **29/213,344**

(22) Filed: **Sep. 16, 2004**

(51) **LOC (8) Cl.** **12-15**

(52) **U.S. Cl.** **D12/501; D12/592**

(58) **Field of Classification Search** D12/204, D12/206, 207, 208, 210, 501, 605; D15/14, D15/17; 152/209.1, 209.9, 209.16, 209.25, 152/209.27, 523, DIG. 12; 301/37.22, 37.23, 301/37.101, 63.106, 64.101, 65

See application file for complete search history.

(56) **References Cited**

U.S. PATENT DOCUMENTS

| | | | |
|-------------|-----------|----------------|-----------|
| D168,714 S | 1/1953 | Schlichtmann | |
| D172,240 S | * 5/1954 | Mason | D12/204 |
| D225,989 S | * 1/1973 | Chadwick | D12/207 |
| D276,047 S | 10/1984 | Sasaki | |
| D285,949 S | 9/1986 | Thomson et al. | |
| 5,044,411 A | 9/1991 | Doll | |
| D325,011 S | 3/1992 | Markling | |
| D328,053 S | * 7/1992 | Markling | D12/501 |
| D390,576 S | 2/1998 | Shimamura | |
| 5,727,372 A | 3/1998 | Kanitz et al. | |
| D405,041 S | * 2/1999 | Bidwell et al. | D12/204 |
| D414,724 S | 10/1999 | Lu | |
| D419,930 S | 2/2000 | Zöller et al. | |
| 6,139,116 A | * 10/2000 | Pruden | 301/108.1 |
| D451,104 S | 11/2001 | Halstead | |
| D466,962 S | 12/2002 | Chen | |
| D491,132 S | 6/2004 | Brown et al. | |
| D497,590 S | 10/2004 | Brown et al. | |

OTHER PUBLICATIONS

U.S. Appl. No. 29/213,359, filed Sep. 16, 2004, Martin John Deere Product Manuals, "Operator's Manual," OMGC00551, Issue D1, 21-Inch Walk-Behind Rotary Mowers, JS60H, PIN (100001-1) [Online]. [retrieved on Jan. 26, 2005]. Retrieved from the Internet: <URL:http://manuals.deere.com/cceomview/OMGC00551_D1/Output/gc00551d17.html #59489>; 8 pgs.

"Tondeuses à conducteur accompagnant et outils à main," brochure, The Toro Company, 2004, Imprimé No. #200-2269.

Exhibit A, enlarged representations of a first mower wheel used on Toro mowers illustrated in the accompanying "Tondeuses à conducteur accompagnant et outils à main" brochure, (mower incorporating this wheel available in Europe prior to 2002).

Exhibit B, enlarged representations of a second mower wheel used on European Toro mowers illustrated in the accompanying "Tondeuses à conducteur accompagnant et outils à main" brochure, (mower incorporating this wheel available in Europe prior to 2002).

* cited by examiner

Primary Examiner—Robert M. Spear

(74) *Attorney, Agent, or Firm*—Mueting, Raasch & Gebhardt, P.A.

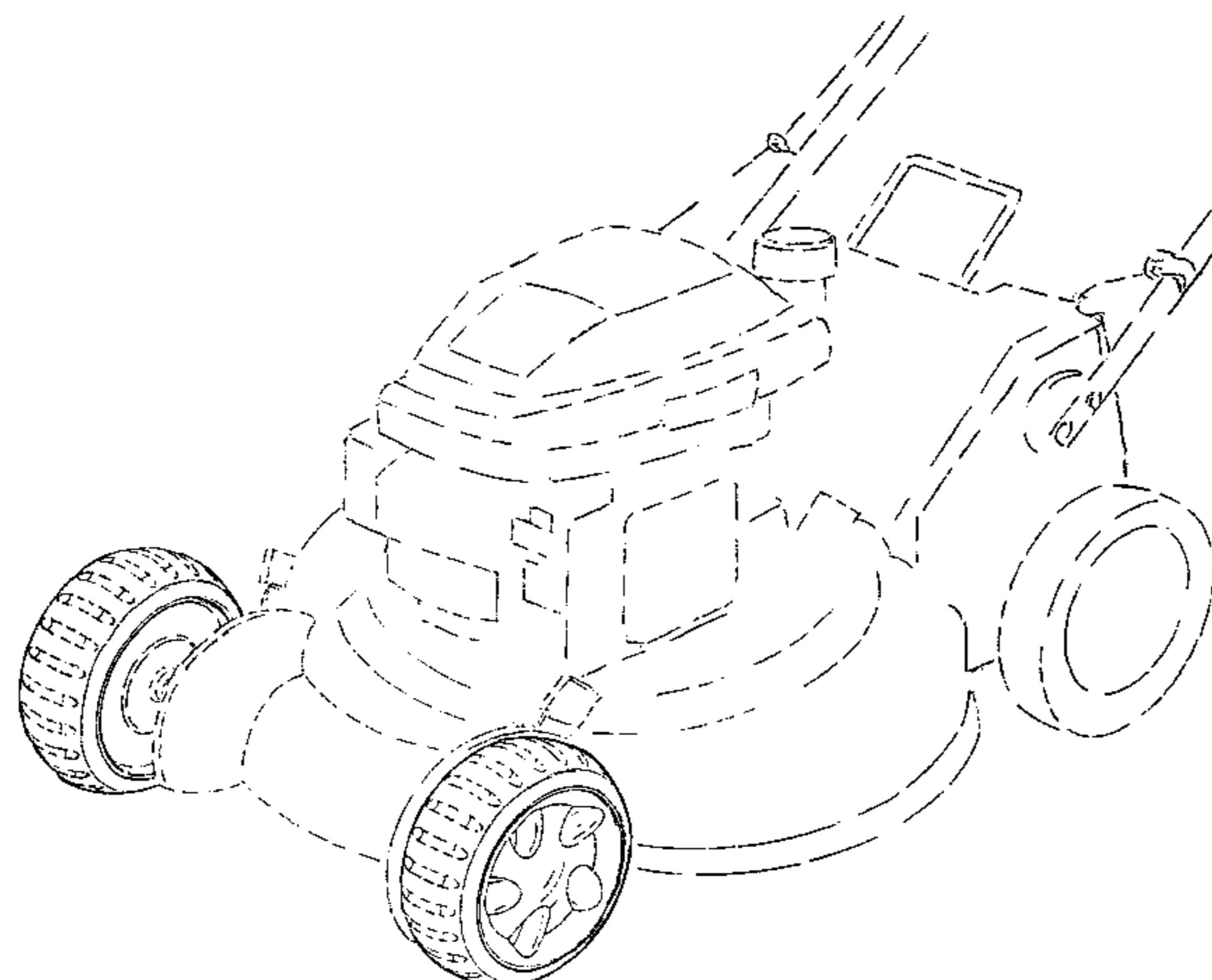
(57) **CLAIM**

The ornamental design for a combined wheel face and tire for a lawn mower, as shown and described.

DESCRIPTION

FIG. 1 is a perspective view of a combined wheel face and tire for a lawn mower showing the new design; FIG. 2 is an enlarged perspective view thereof; FIG. 3 is a front elevational view thereof; FIG. 4 is a left side elevational view thereof, wherein a top plan view and a bottom plan view appear the same as the left side elevational view, and a right side elevational view is a mirror image of the left side elevational view; and, FIG. 5 is a rear elevational view thereof. The features shown in broken lines in the figures are for illustrative purposes only and form no part of the claimed design.

1 Claim, 5 Drawing Sheets



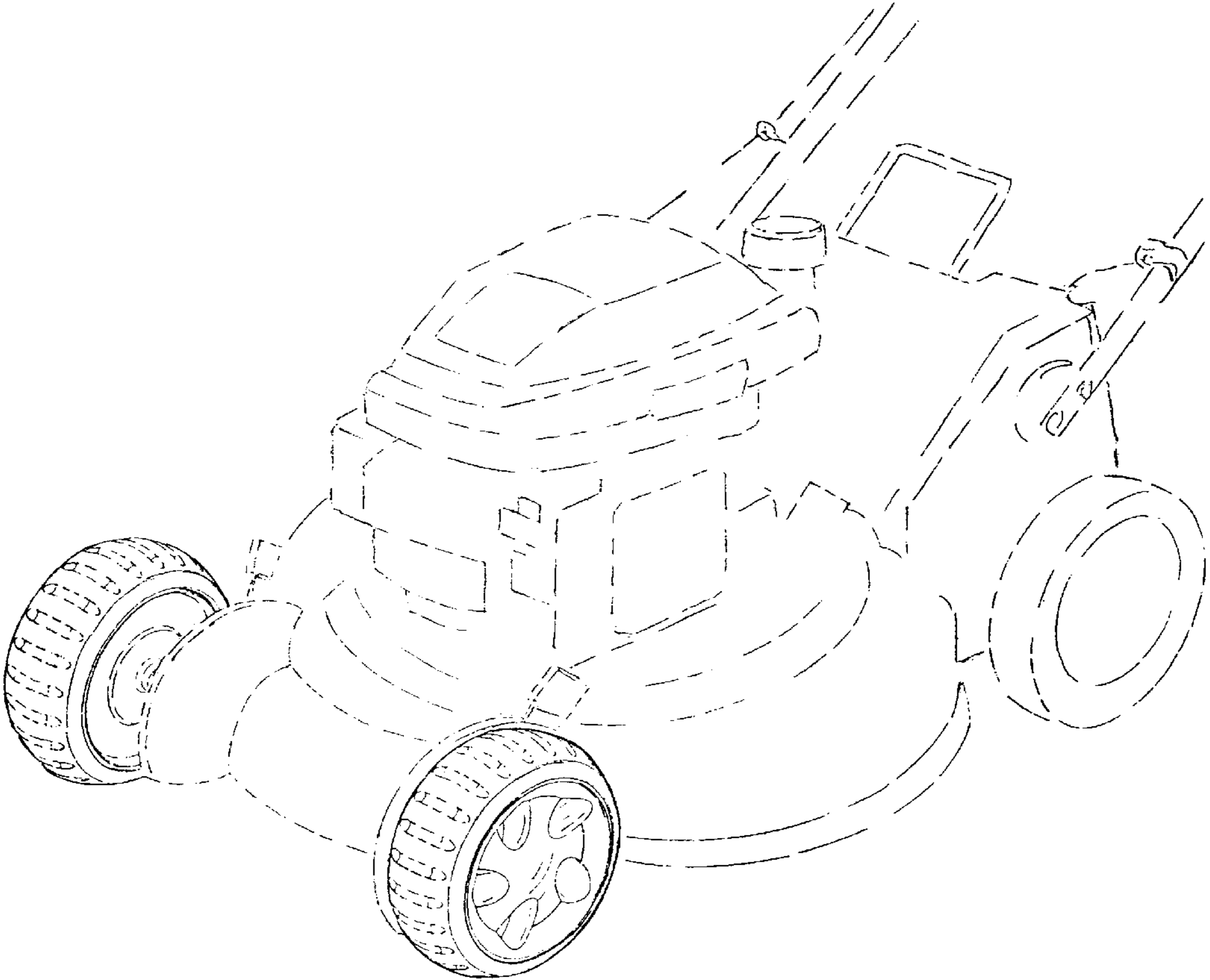


FIG. 1

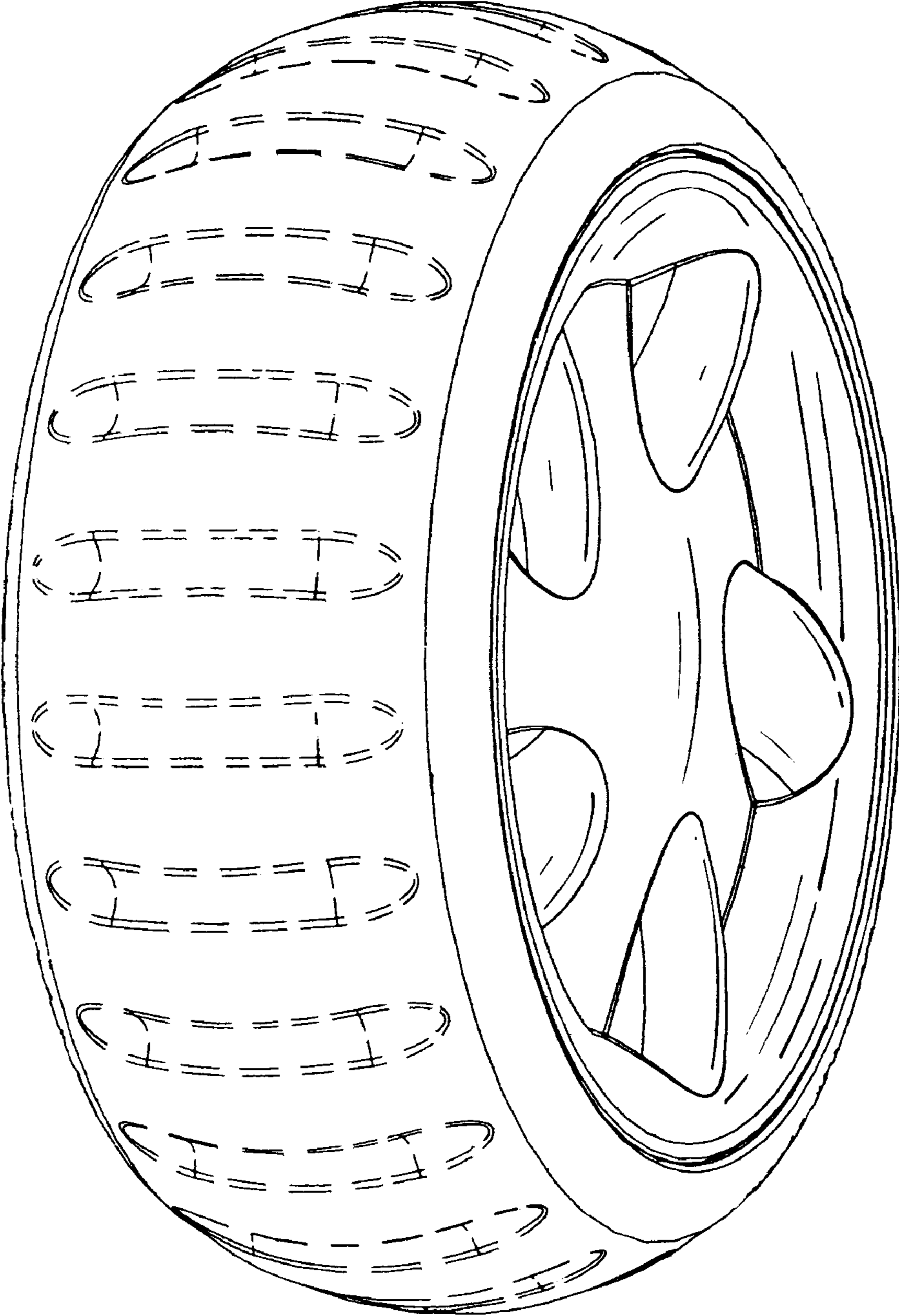


FIG. 2



FIG. 3

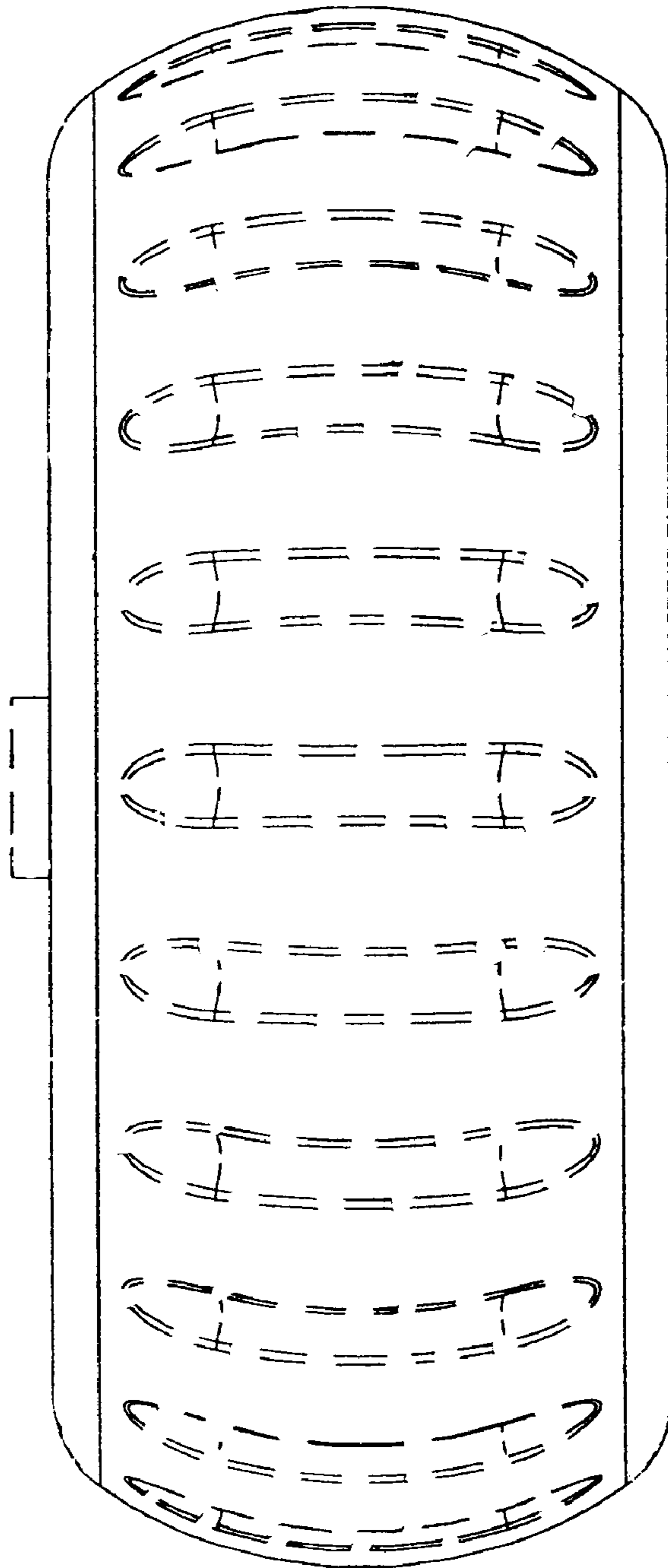


FIG. 4

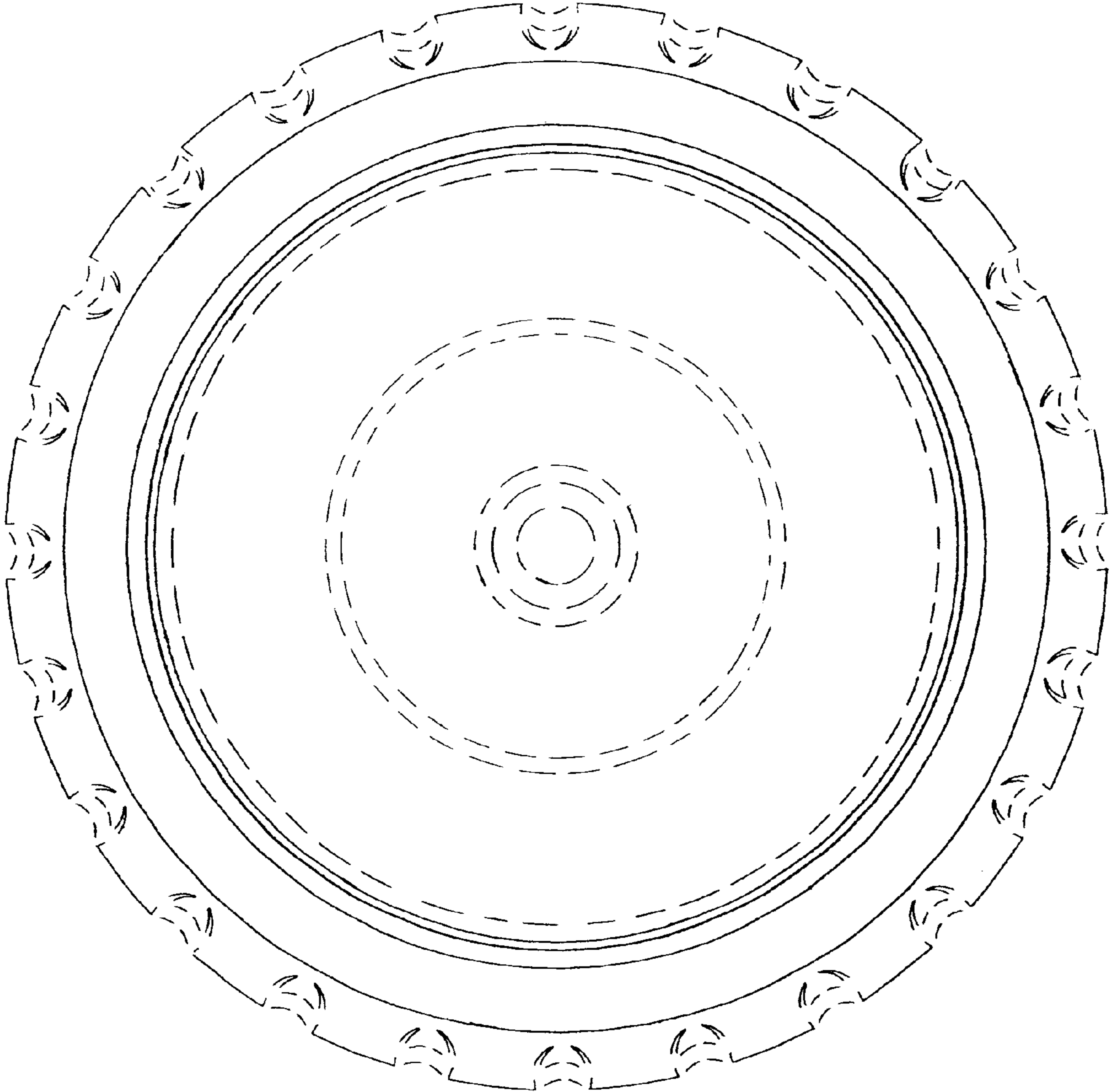


FIG. 5