



US00D523804S

(12) **United States Design Patent**
Guay et al.

(10) **Patent No.:** **US D523,804 S**

(45) **Date of Patent:** **** Jun. 27, 2006**

(54) **BOAT**

(75) Inventors: **Etienne Guay**, Orford (CA); **Joseph Ellice**, Sherbrooke (CA); **Steve Tetreault**, Fleurimont (CA); **Andre Cote**, Longueuil (CA); **Eric Plumb**, Bellerive, IL (US)

(73) Assignee: **BRP US Inc.**, Sturtevant, WI (US)

(**) Term: **14 Years**

(21) Appl. No.: **29/237,299**

(22) Filed: **Aug. 30, 2005**

(51) **LOC (8) Cl.** **12-06**

(52) **U.S. Cl.** **D12/300**

(58) **Field of Classification Search** D12/300-318;
114/61.1, 283, 288-292, 343, 355; 440/27,
440/35

See application file for complete search history.

(56) **References Cited**

U.S. PATENT DOCUMENTS

D190,400 S	*	5/1961	Trift	D12/314
4,784,074 A	*	11/1988	Michalak	114/57
D322,240 S	*	12/1991	Carlson	D12/300
D345,339 S	*	3/1994	Wenstadt et al.	D12/313
D349,878 S	*	8/1994	Wenstadt et al.	D12/313
D375,479 S		11/1996	Lapointe et al.		

D395,273 S	*	6/1998	Maki et al.	D12/314
D400,844 S		11/1998	Lapointe et al.		
D409,555 S		5/1999	Lapointe et al.		
D459,693 S		7/2002	Aube et al.		
D469,053 S	*	1/2003	Aube et al.	D12/300
D482,648 S		11/2003	Eck et al.		
D489,311 S		5/2004	Eck		
D490,766 S	*	6/2004	Eck et al.	D12/319
D509,469 S		9/2005	Longpre et al.		

* cited by examiner

Primary Examiner—Holly Baynham

Assistant Examiner—Cynthia M. Chin

(74) *Attorney, Agent, or Firm*—Osler, Hoskin & Harcourt LLP

(57) **CLAIM**

The ornamental design for a boat, as shown and described.

DESCRIPTION

FIG. 1 is a perspective illustration, from the front and left side, of a boat of the present invention;

FIG. 2 is a front view of the boat of FIG. 1;

FIG. 3 is a rear view of the boat of FIG. 1;

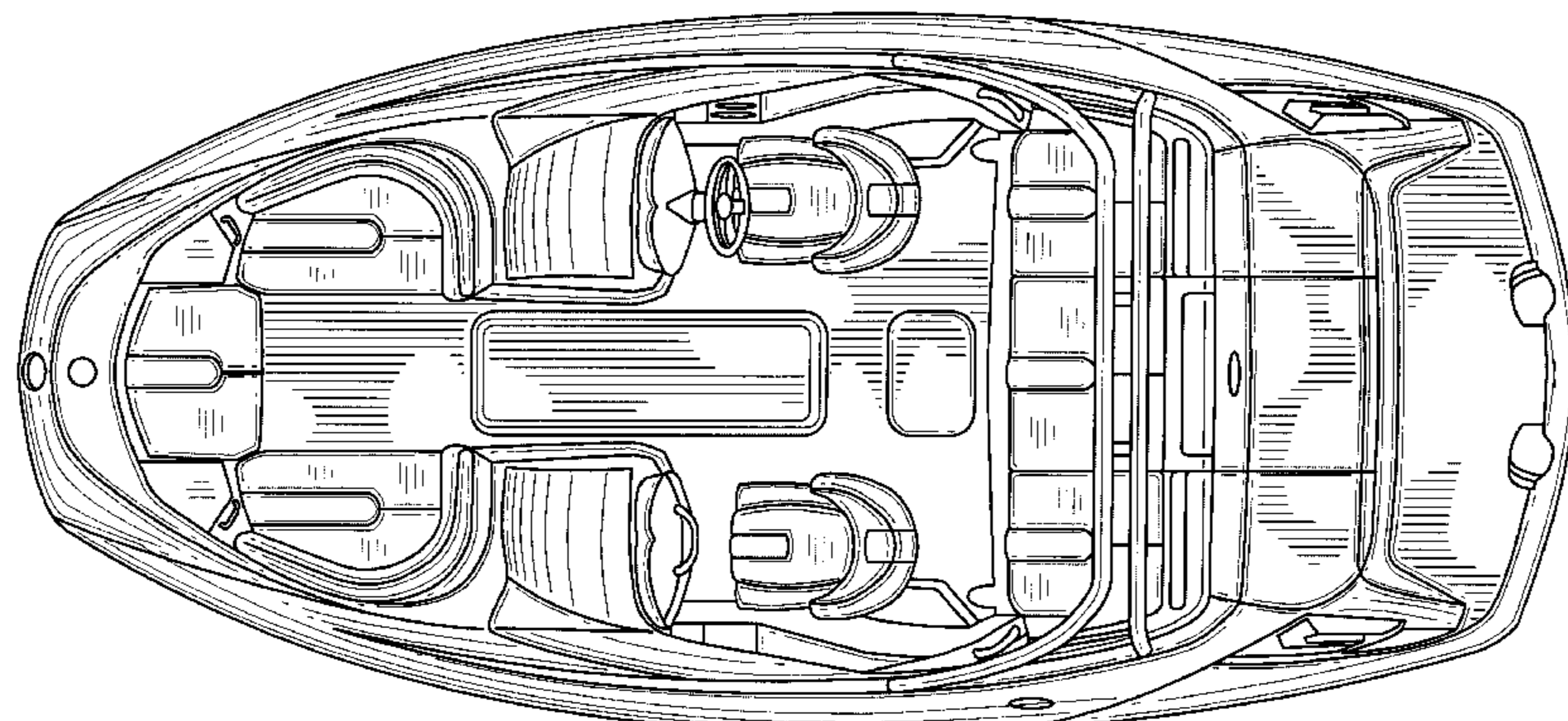
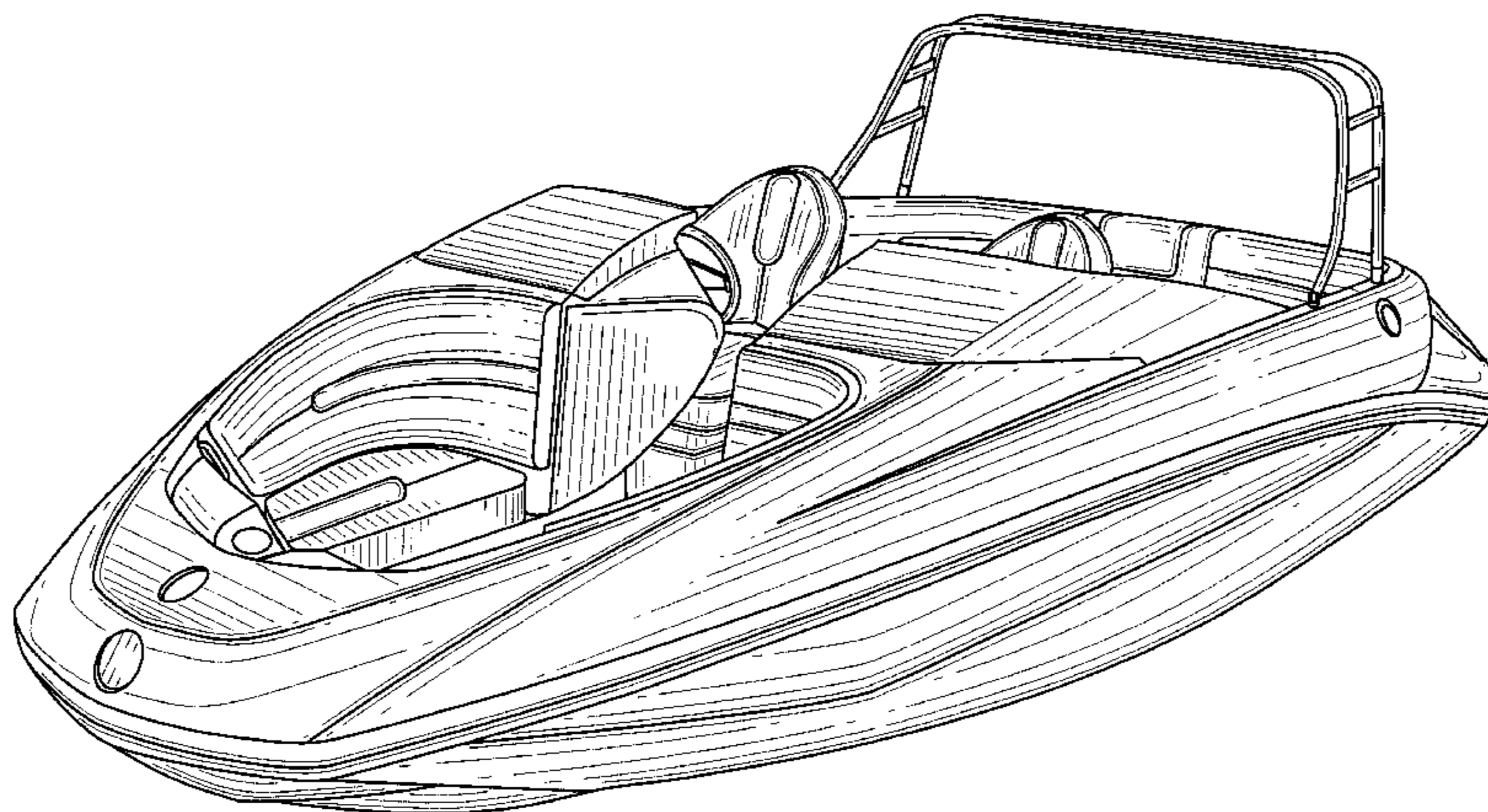
FIG. 4 is a left side view of the boat of FIG. 1;

FIG. 5 is a right side view of the boat of FIG. 1;

FIG. 6 is a top plan view of the boat of FIG. 1; and,

FIG. 7 is a bottom plan view of the boat of FIG. 1.

1 Claim, 6 Drawing Sheets



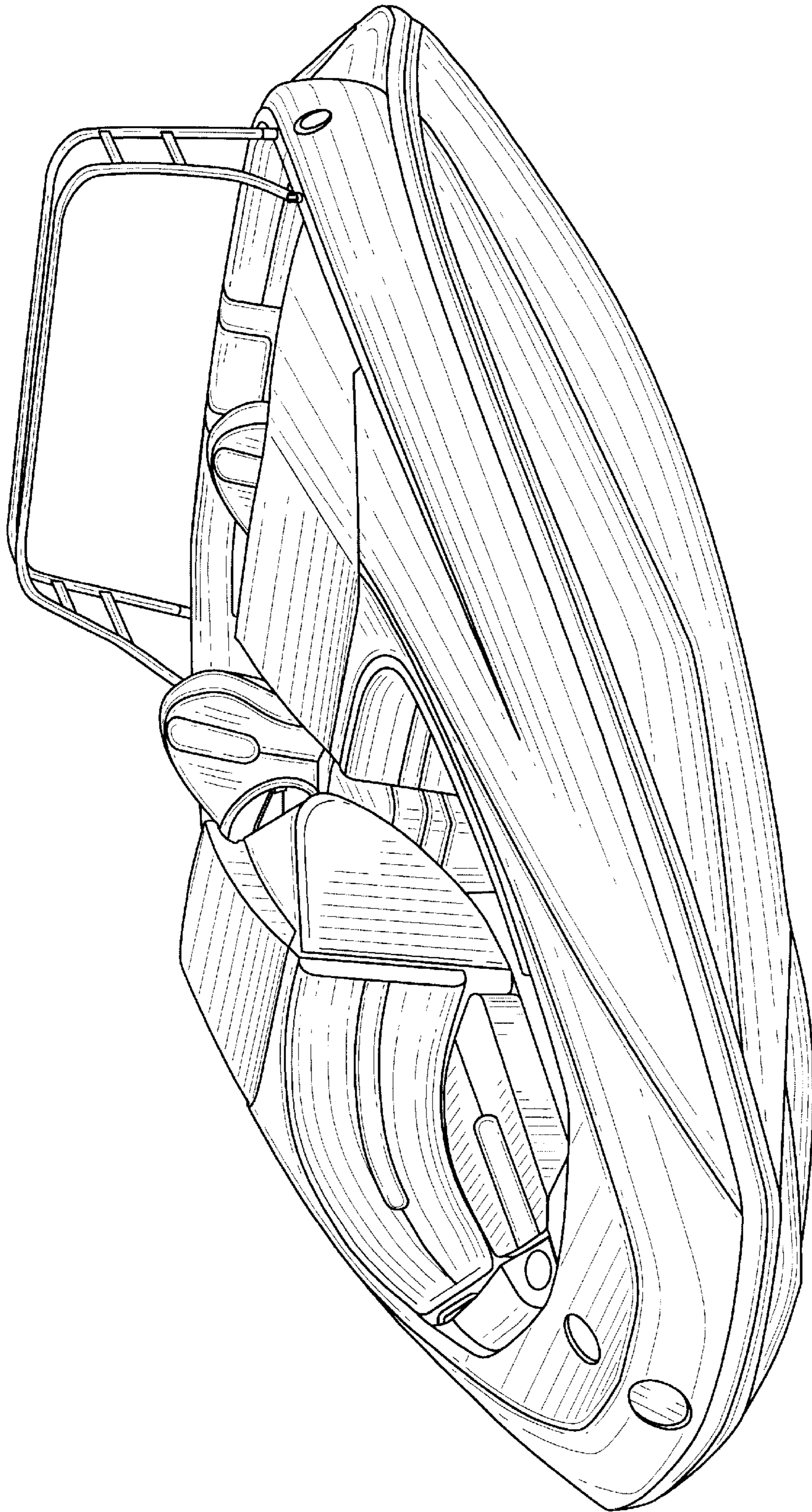


FIG. 1

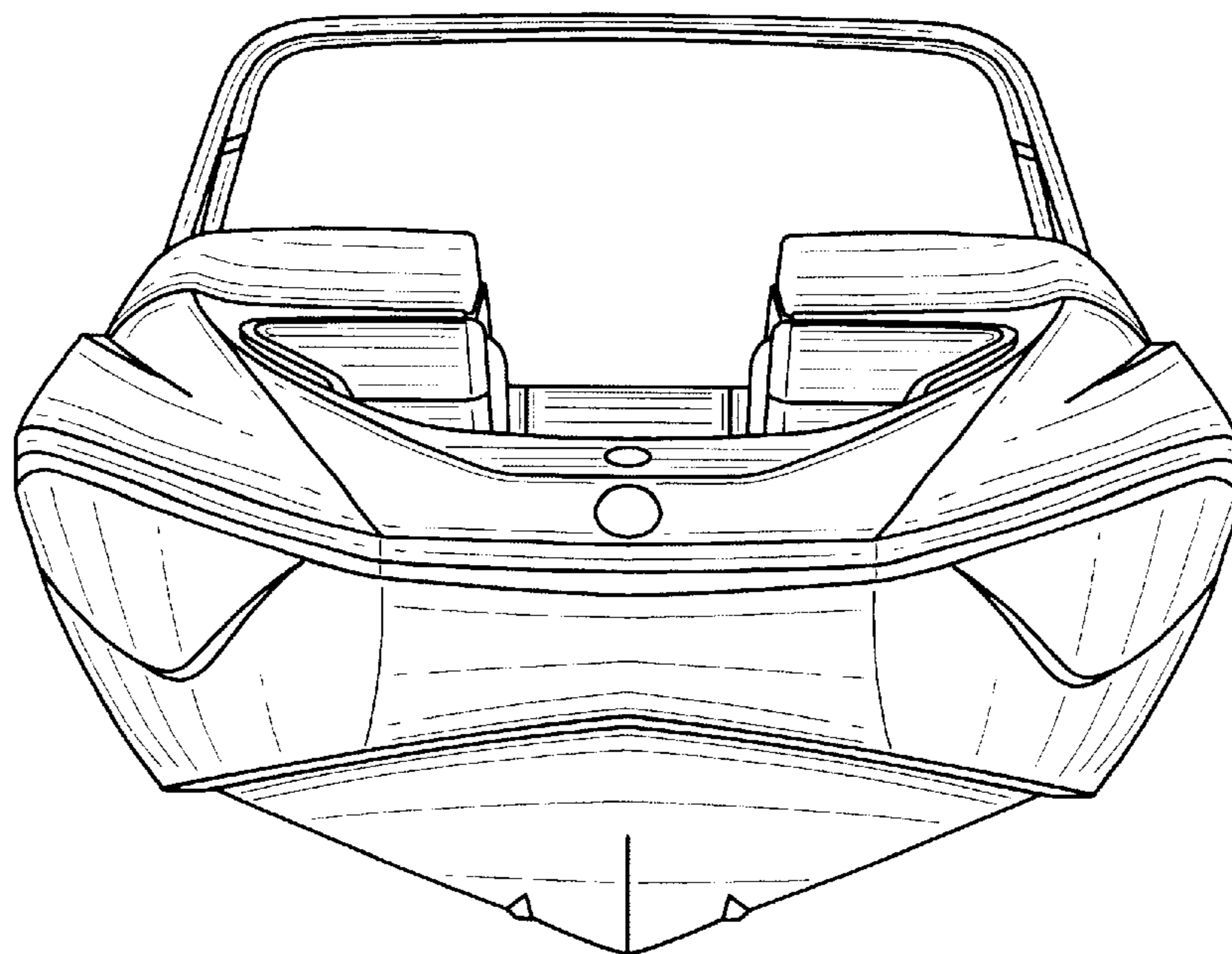


FIG. 2

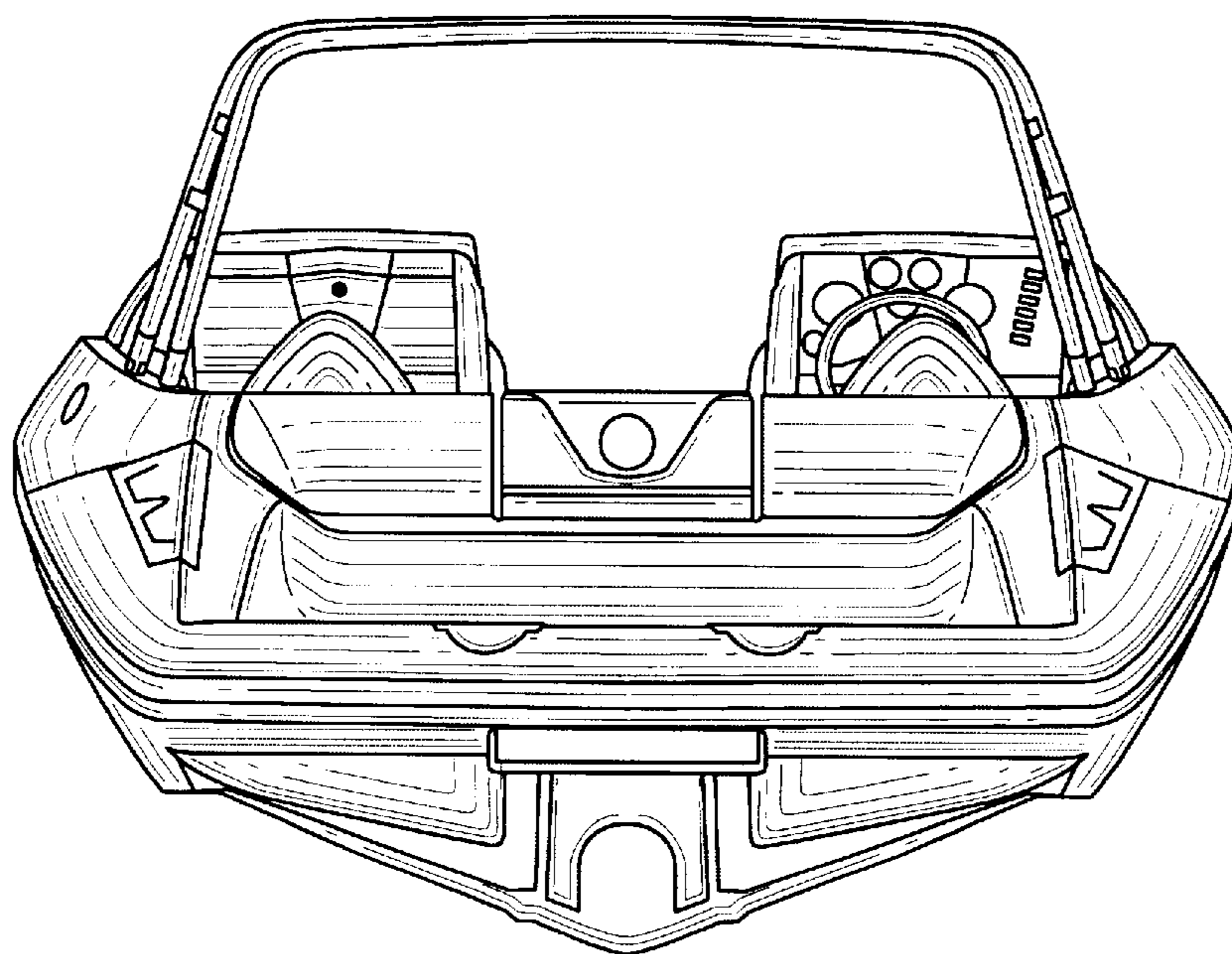


FIG. 3

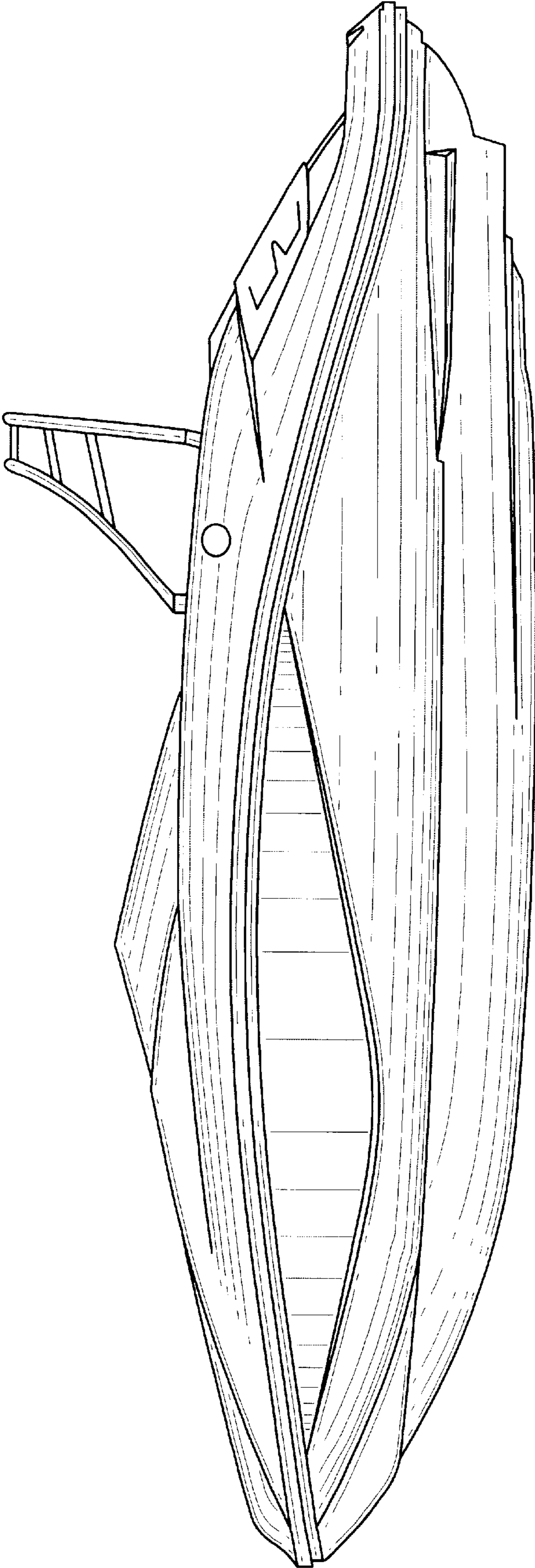


FIG. 4

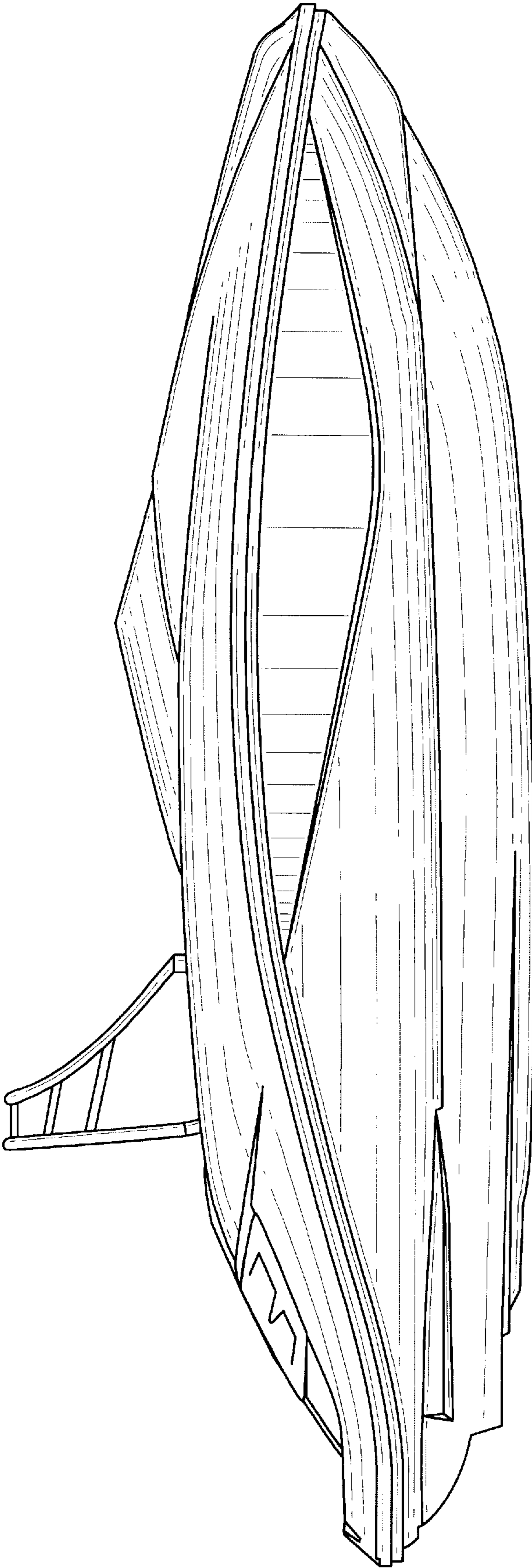


FIG. 5

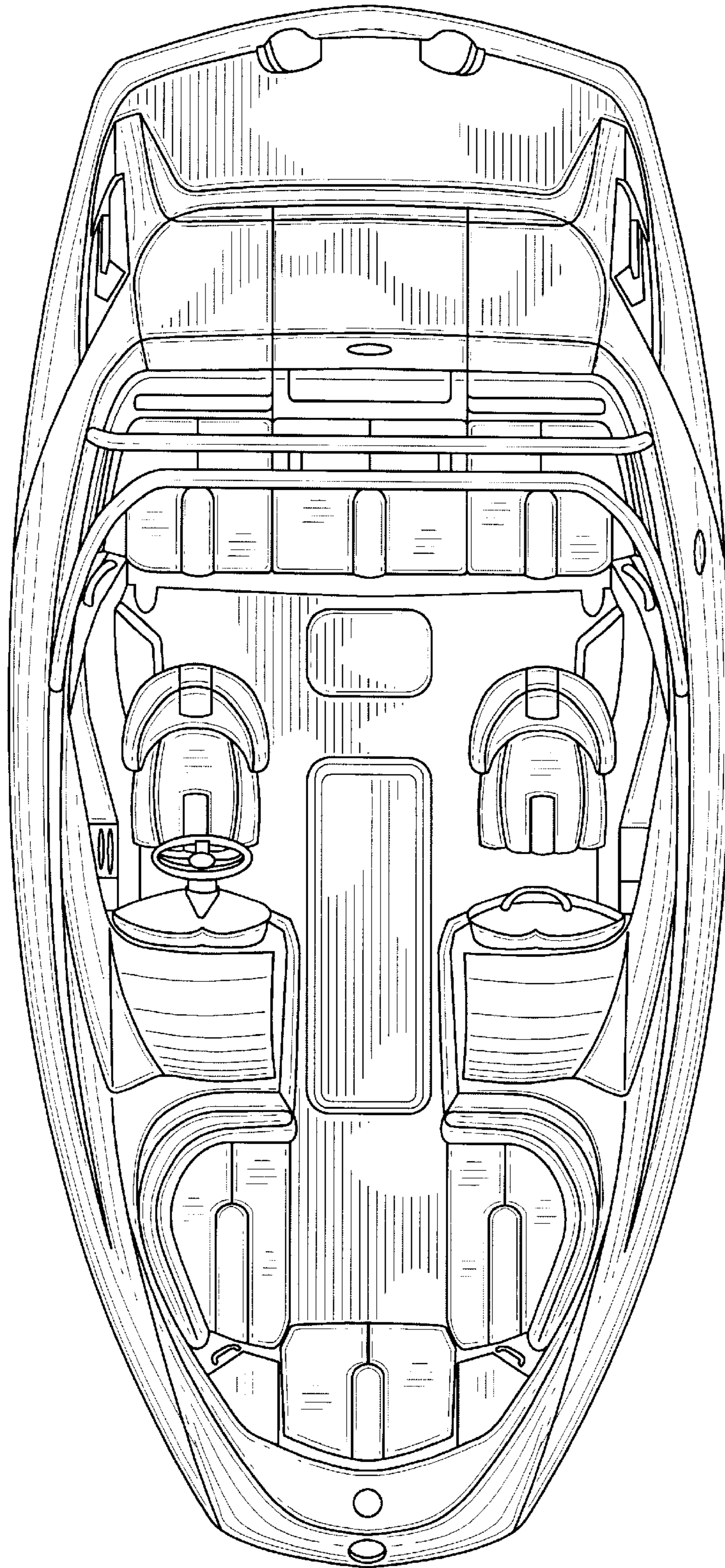


FIG. 6

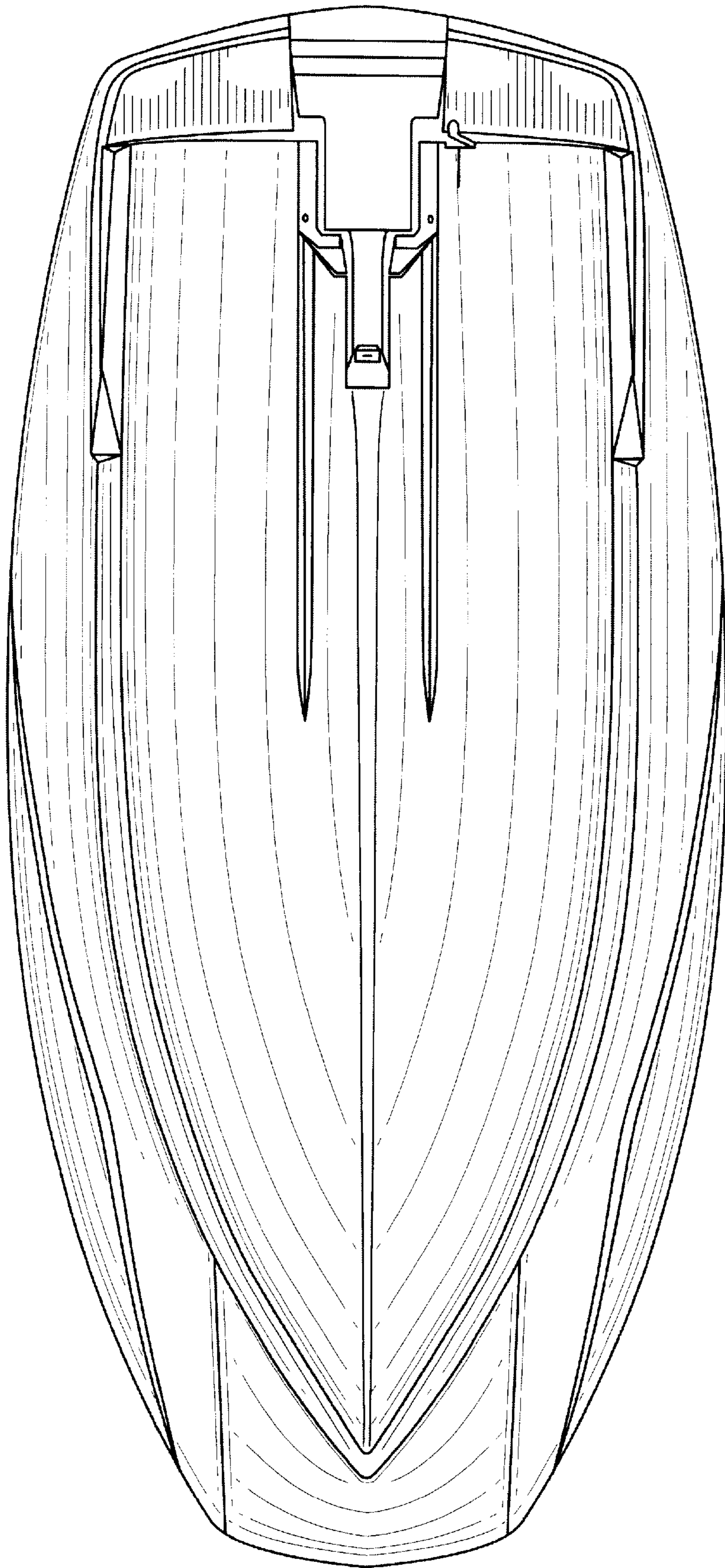


FIG. 7