



US00D523801S

(12) **United States Design Patent**  
**Madden**

(10) **Patent No.:** **US D523,801 S**

(45) **Date of Patent:** **\*\* Jun. 27, 2006**

(54) **WHEEL**

(75) **Inventor:** **William J. Madden**, Lake Arrowhead,  
CA (US)

(73) **Assignee:** **Carroll Shelby Wheel Company, Inc.**,  
Huntington Beach, CA (US)

(\*\*) **Term:** **14 Years**

(21) **Appl. No.:** **29/237,093**

(22) **Filed:** **Aug. 26, 2005**

(51) **LOC (8) Cl.** ..... **12-16**

(52) **U.S. Cl.** ..... **D12/211**

(58) **Field of Classification Search** ..... D12/204–213;  
301/37.101, 64.101, 65

See application file for complete search history.

(56) **References Cited**

**U.S. PATENT DOCUMENTS**

D205,032 S	*	6/1966	Reid	.....	D12/211
D421,953 S	*	3/2000	Sims et al.	.....	D12/211
D441,339 S	*	5/2001	Hussaini et al.	.....	D12/211
D450,649 S	*	11/2001	Penzes	.....	D12/211
D457,119 S	*	5/2002	Braun et al.	.....	D12/211

D473,836 S	*	4/2003	Laengerer	.....	D12/211
D487,420 S	*	3/2004	Kang	.....	D12/211
D494,525 S	*	8/2004	Borkert	.....	D12/211
D500,005 S	*	12/2004	van Hooydonk	.....	D12/211
D502,679 S	*	3/2005	Boyer	.....	D12/211
D504,101 S	*	4/2005	Pfeiffer	.....	D12/211
D504,382 S	*	4/2005	Elmitt	.....	D12/211
D506,967 S	*	7/2005	Kamimura	.....	D12/211

\* cited by examiner

*Primary Examiner*—Stacia Cadmus

(74) *Attorney, Agent, or Firm*—Donn K. Harms

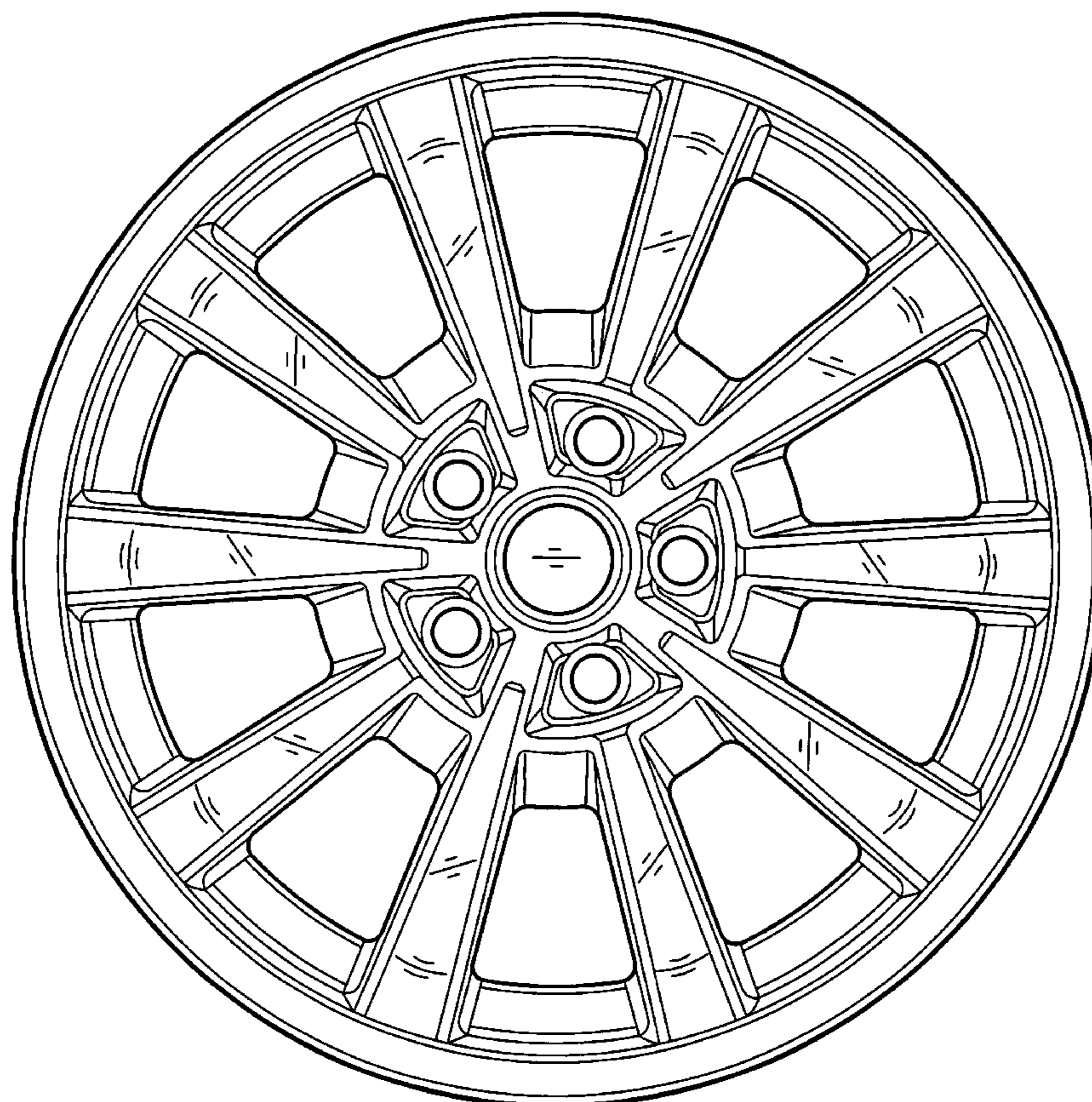
(57) **CLAIM**

The ornamental design for a wheel, as shown and described.

**DESCRIPTION**

FIG. 1 is a front perspective view of the wheel; and, FIG. 2 is a front plan view of the wheel, it being understood that the ornamental design of FIGS. 1 and 2 are not expressed in top, bottom and side views and thus they are omitted, the circumferentially outwardly disposed areas of the inside of the rim is shown for illustrative purposes only and forming no part of the claimed design.

**1 Claim, 2 Drawing Sheets**



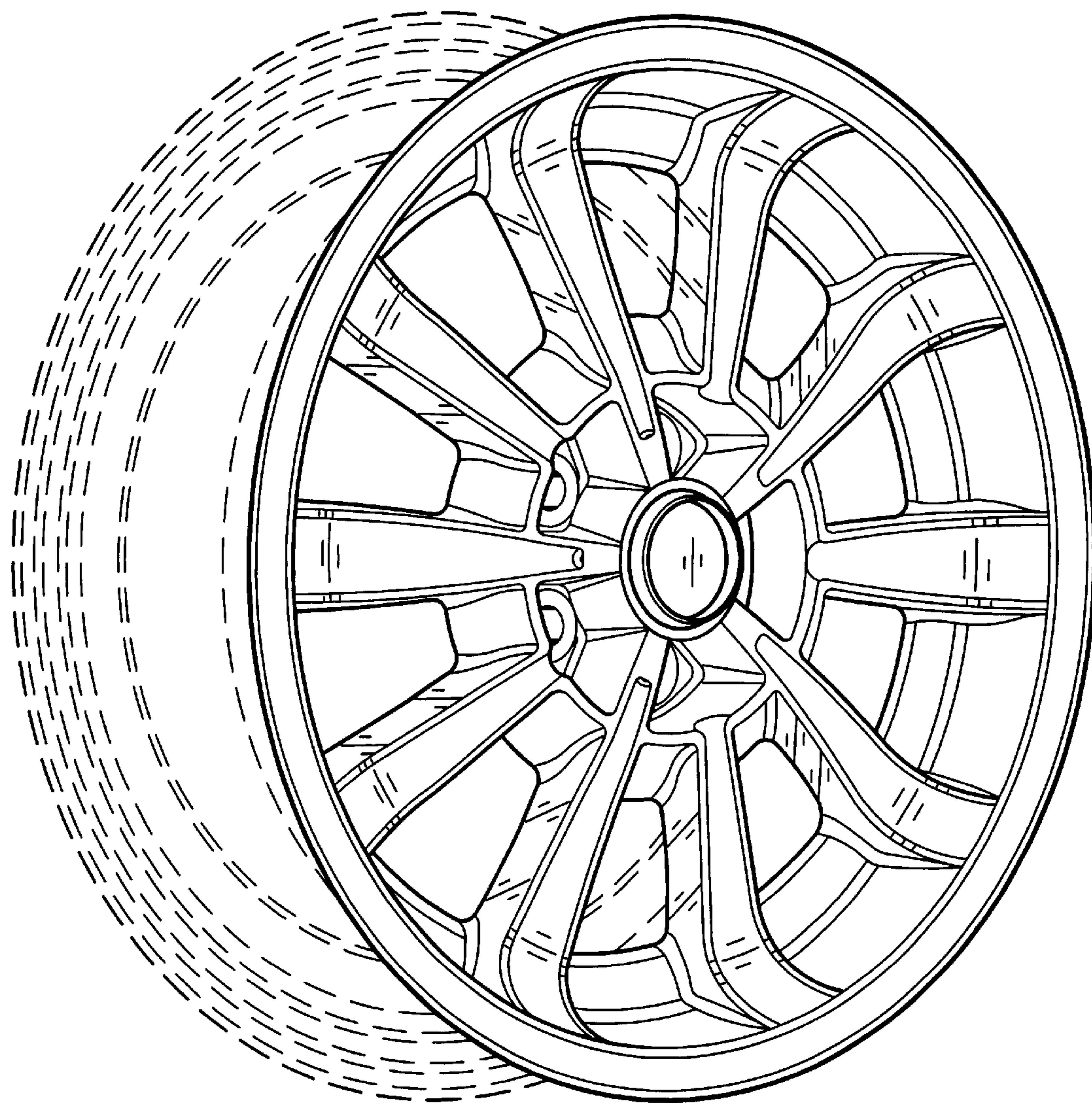


FIG. 1

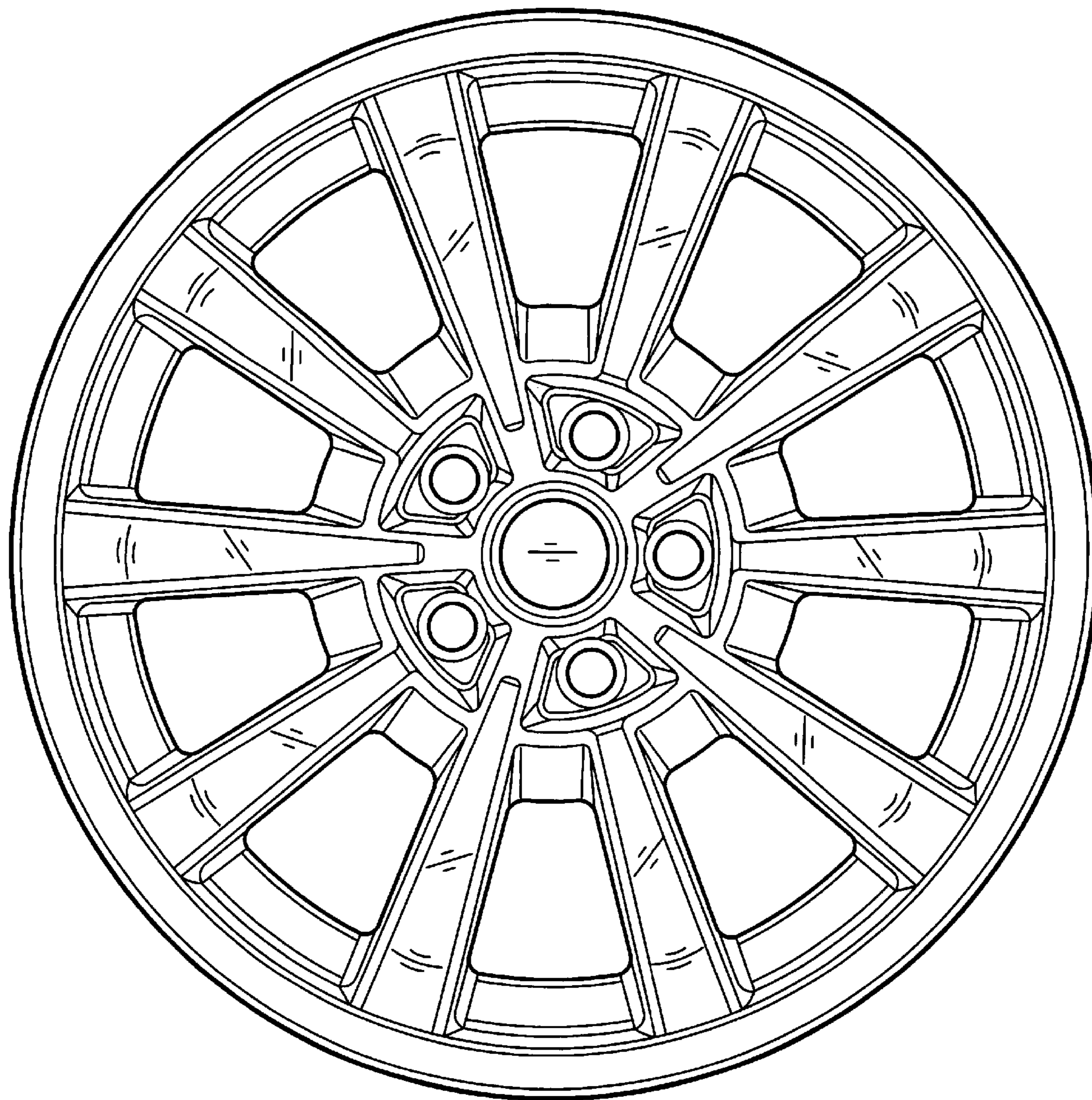


FIG. 2