



US00D523800S

(12) **United States Design Patent**  
**Sulahian**

(10) **Patent No.:** **US D523,800 S**  
(45) **Date of Patent:** **\*\* Jun. 27, 2006**

(54) **PORTION OF A FRONT FACE OF A VEHICLE WHEEL**

(76) Inventor: **Diko Sulahian**, 12717 Ann St., Santa Fe Springs, CA (US) 90670

(\*\*) Term: **14 Years**

(21) Appl. No.: **29/241,706**

(22) Filed: **Nov. 1, 2005**

D464,010 S 10/2002 Chung  
D464,308 S 10/2002 Chung  
D465,186 S 11/2002 Chung  
D466,467 S 12/2002 Hodges  
D466,851 S 12/2002 Pfeiffer et al.  
D466,854 S 12/2002 Kern  
D469,727 S 2/2003 Lenz  
D471,502 S 3/2003 McMath  
D471,504 S 3/2003 Laengerer  
D472,864 S 4/2003 Kataoka

(Continued)

**Related U.S. Application Data**

(63) Continuation of application No. 29/209,807, filed on Jul. 22, 2004.

(51) **LOC (8) Cl.** ..... **12-16**

(52) **U.S. Cl.** ..... **D12/209**

(58) **Field of Classification Search** ..... D12/204-213;  
301/37.101, 64.101, 65

See application file for complete search history.

(56) **References Cited**

**U.S. PATENT DOCUMENTS**

- D396,681 S 8/1998 Boyer
- D402,951 S 12/1998 Wechner
- D407,055 S 3/1999 Kelley
- D410,617 S 6/1999 Hussaini et al.
- D412,480 S 8/1999 Hussaini et al.
- D414,454 S 9/1999 Chung
- D415,094 S 10/1999 Neeper
- D416,533 S 11/1999 Sulahian
- D419,942 S 2/2000 Lampkin
- D420,967 S 2/2000 Sacco et al.
- D421,953 S 3/2000 Sims et al.
- D432,071 S 10/2000 Brown
- D437,278 S 2/2001 Sulahian
- D444,756 S 7/2001 Brintouch
- D446,180 S 8/2001 Sulahian et al.
- D446,493 S 8/2001 Sulahian et al.
- D450,649 S 11/2001 Penzes
- D451,067 S 11/2001 Frizzi
- D451,462 S 12/2001 Donikoglu
- D451,872 S 12/2001 Arellano
- D455,697 S 4/2002 Chung

**OTHER PUBLICATIONS**

Page from website of wtwcorp.com showing 6-Oval Wheel Rim, date unknown but believed to be available more than one year prior to Oct. 22, 2003.

*Primary Examiner*—Stacia Cadmus

(74) *Attorney, Agent, or Firm*—Nixon & Vanderhye P.C.

(57) **CLAIM**

The ornamental design for a portion of a front face of a vehicle wheel, as shown and described.

**DESCRIPTION**

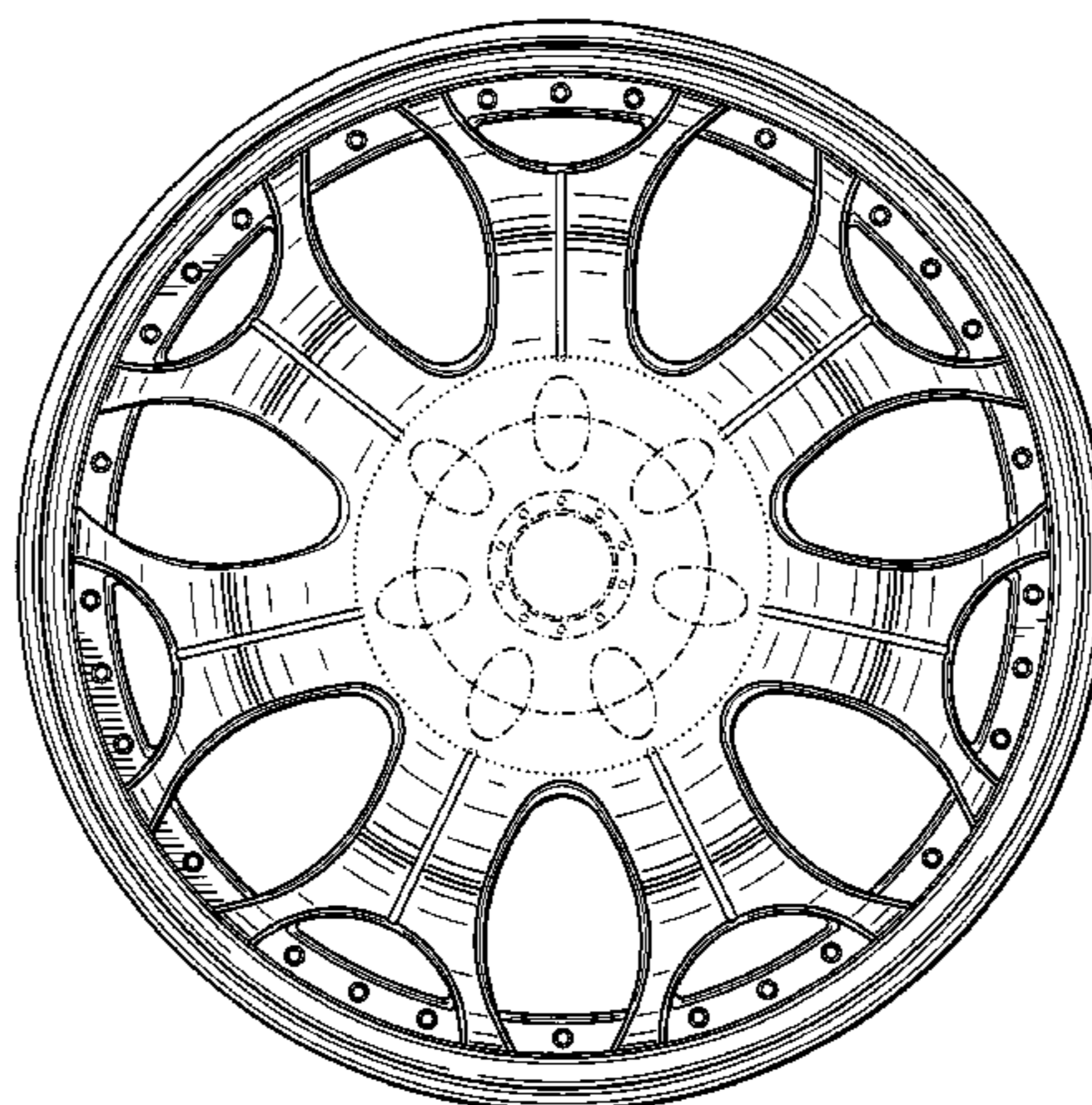
FIG. 1 is a front view of a portion of a front face of a vehicle wheel showing my new design;

FIG. 2 is a front and right side perspective view of the portion of a front face of the wheel shown in FIG. 1; and, FIG. 3 is a different perspective view of the portion of a front face of the wheel shown in FIG. 1.

Throughout the various figures of the drawings, certain views are not provided. The omission of a particular view is intended to convey that the element(s) depicted is/are plain and unornamented in that omitted view, or that the particular ornamental appearance in that view is simply not claimed. Where included, broken lines showing environment or structure are for illustrative purposes only and form no part of the claimed design.

Where included, dotted lines show the border between claimed and unclaimed subject matter and form no part of the claimed design.

**1 Claim, 3 Drawing Sheets**



# US D523,800 S

Page 2

---

## U.S. PATENT DOCUMENTS

D473,836 S	4/2003	Laengerer	D481,984 S	11/2003	Sulahian
D474,439 S	5/2003	McMath	D482,309 S	11/2003	Sulahian
D477,558 S	7/2003	Brintouch	D482,996 S	12/2003	Sulahian
D478,305 S	8/2003	Kern	D491,124 S	6/2004	Rice
D478,540 S	8/2003	Sulahian	D493,764 S	8/2004	Sulahian
D478,541 S	8/2003	Sulahian	D494,124 S	8/2004	Aiello et al.
D478,542 S	8/2003	Sulahian	D496,318 S	9/2004	Cheng
D479,172 S	9/2003	Sulahian	D496,622 S	9/2004	Cheng
D479,174 S	9/2003	McMath	D500,276 S	12/2004	Cheng
D479,178 S	9/2003	Lai	D500,723 S	1/2005	Alimchandani
			D505,375 S	5/2005	Kushartanto

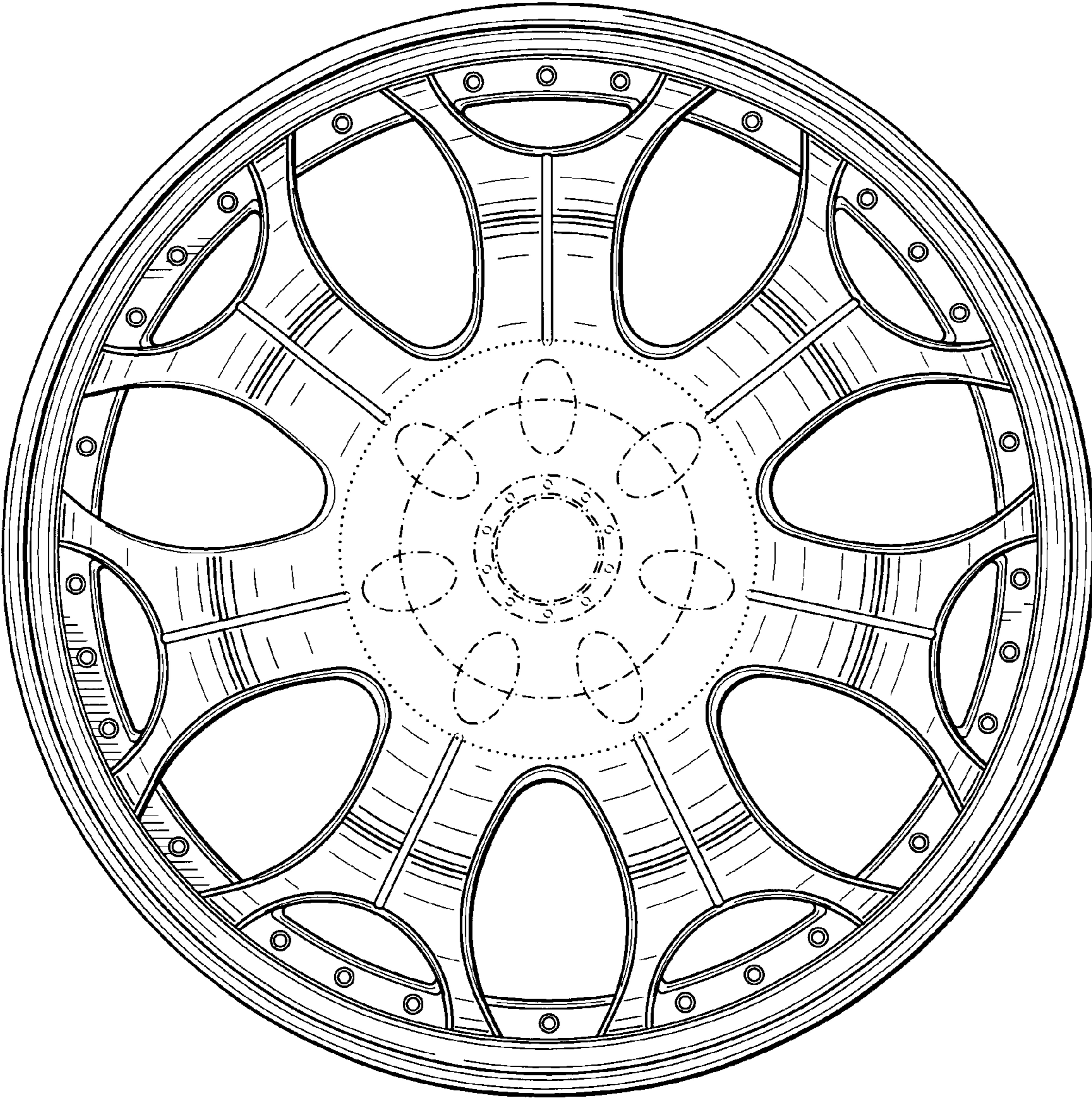


Fig. 1

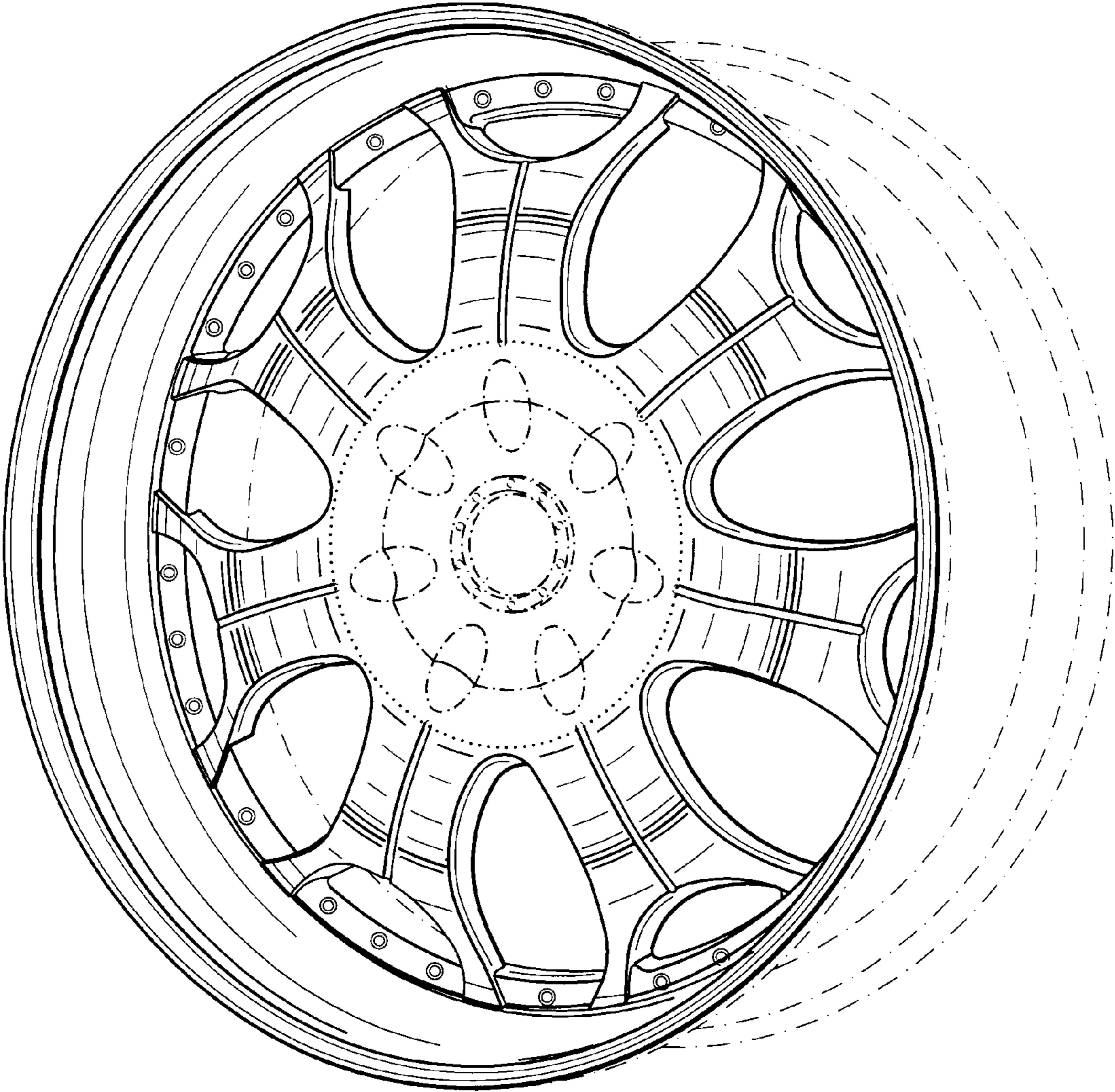


Fig. 2

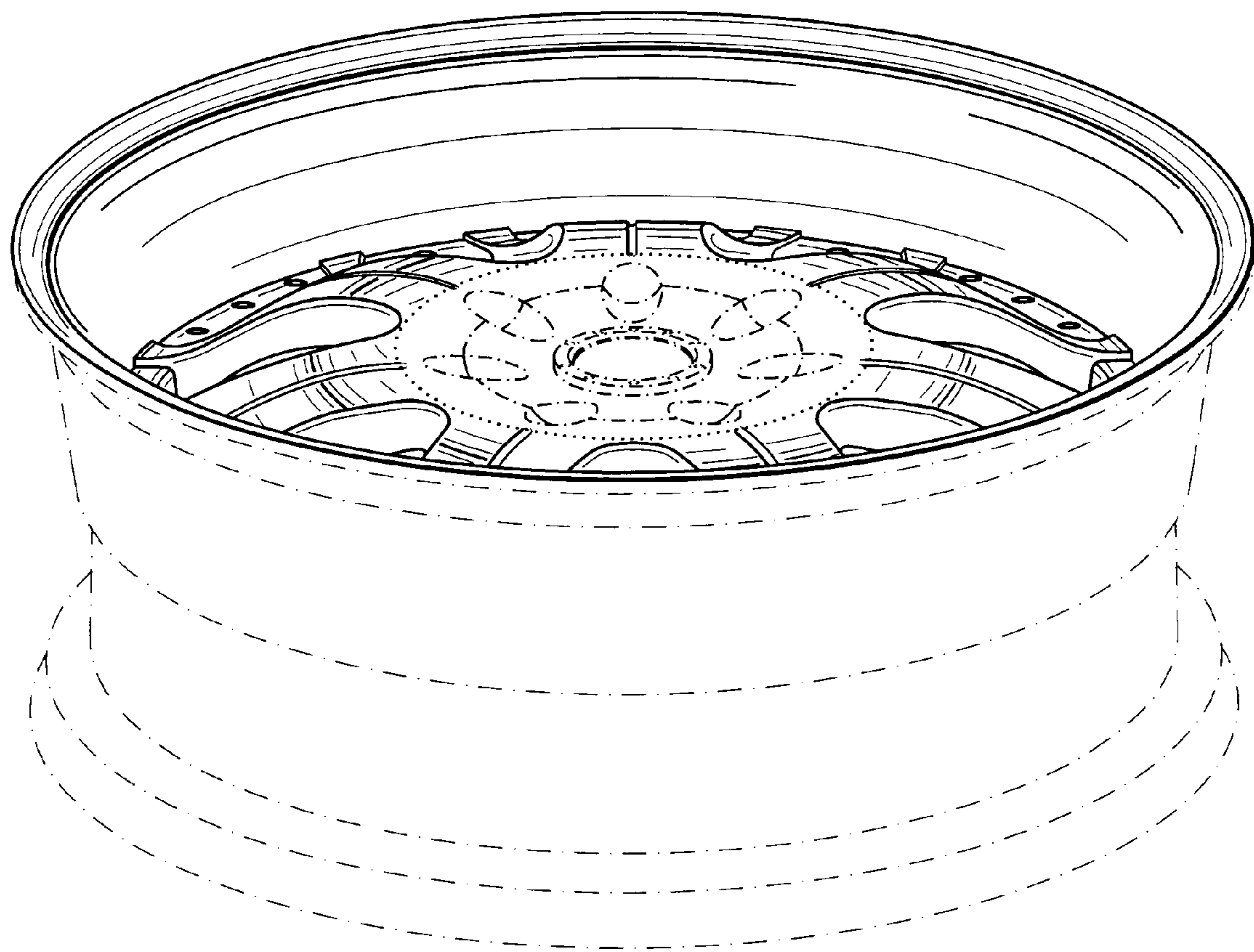


Fig. 3