

US00D523799S

(12) **United States Design Patent**  
**Ianniello**

(10) **Patent No.:** **US D523,799 S**  
(45) **Date of Patent:** **\*\* Jun. 27, 2006**

(54) **FRONT FACE OF A VEHICLE WHEEL**

D453,494 S \* 2/2002 Brown et al. .... D12/211  
D457,118 S \* 5/2002 Bhambra ..... D12/211  
D472,865 S \* 4/2003 Wechner ..... D12/211  
D502,677 S \* 3/2005 Baum ..... D12/209

(75) Inventor: **Vito Ianniello**, Karlsruhe (DE)

(73) Assignee: **Bayerische Motoren Werke  
Aktiengesellschaft**, Munich (DE)

\* cited by examiner

(\*\*) Term: **14 Years**

*Primary Examiner*—Stacia Cadmus

(21) Appl. No.: **29/238,880**

(74) *Attorney, Agent, or Firm*—Crowell & Moring LLP

(22) Filed: **Sep. 23, 2005**

(30) **Foreign Application Priority Data**

Mar. 26, 2005 (DE) ..... 4 05 01 780

(51) **LOC (8) Cl.** ..... **12-16**

(52) **U.S. Cl.** ..... **D12/209**

(58) **Field of Classification Search** ..... D12/204–213;  
301/37.101, 64.101, 65

See application file for complete search history.

(57) **CLAIM**

The ornamental design for a front face of a vehicle wheel,  
as shown and described.

**DESCRIPTION**

FIG. 1 is a front view of a front face of a vehicle wheel  
according to my novel design; and,

FIG. 2 is a perspective view thereof.

The broken lines are for illustrative purposes only and form  
no part of the claimed design.

(56) **References Cited**

**U.S. PATENT DOCUMENTS**

D406,092 S \* 2/1999 Baumgartner ..... D12/211

**1 Claim, 1 Drawing Sheet**



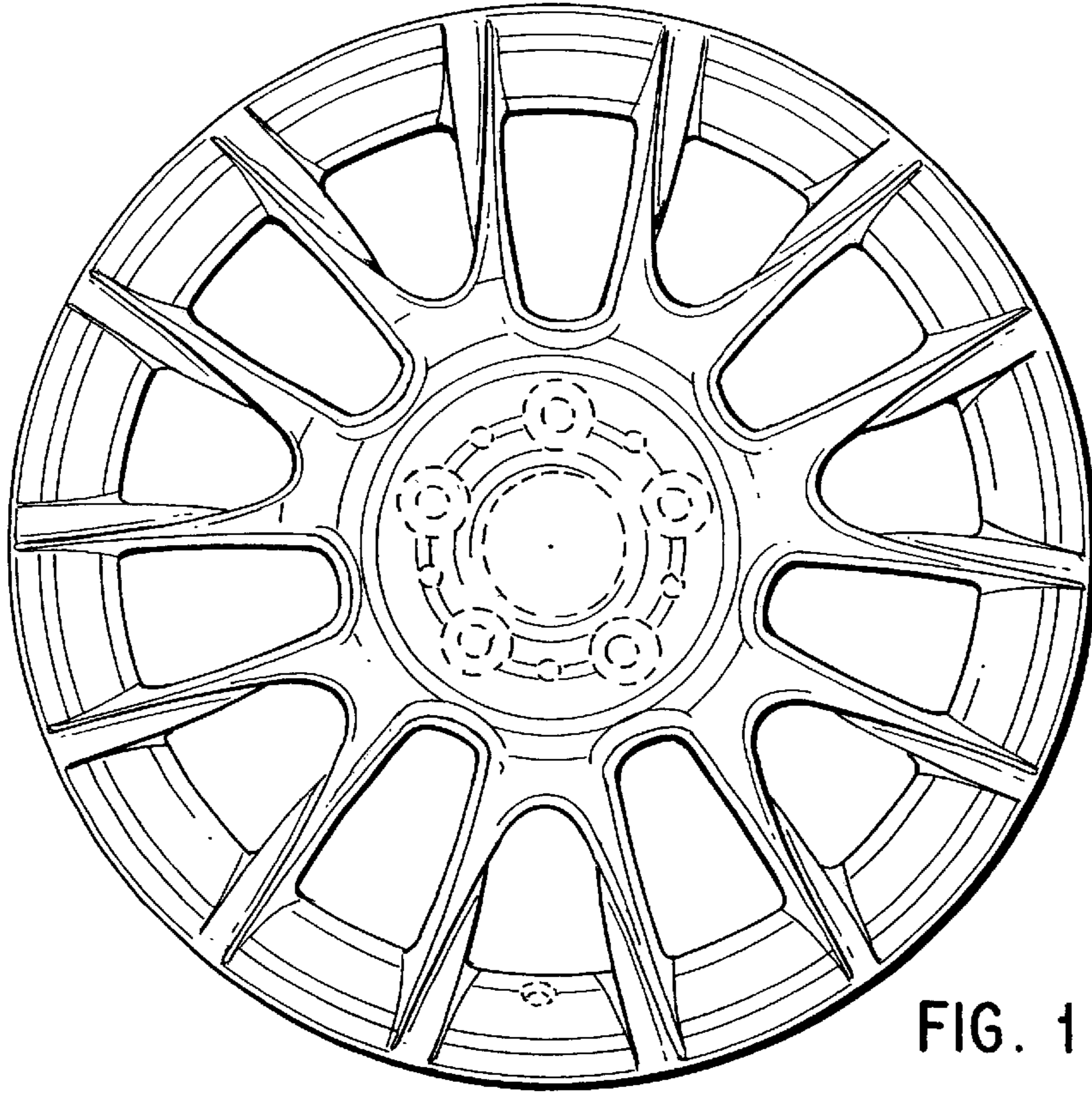


FIG. 1

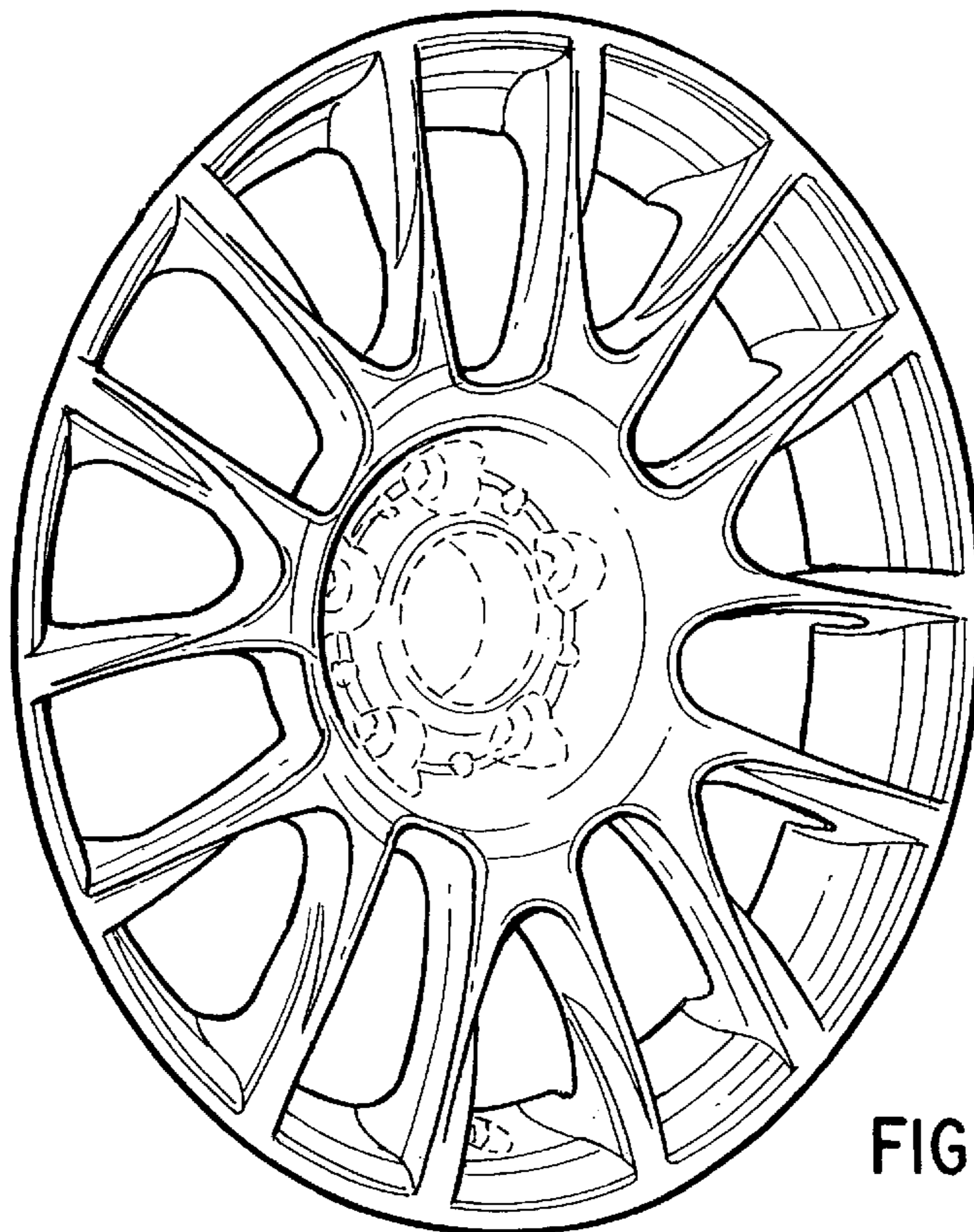


FIG. 2