



US00D523798S

(12) **United States Design Patent**
Szavits

(10) **Patent No.:** **US D523,798 S**
(45) **Date of Patent:** **** Jun. 27, 2006**

(54) **FRONT FACE OF A VEHICLE WHEEL**

(75) Inventor: **Michael Szavits**, Munich (DE)

(73) Assignee: **Bayerische Motoren Werke
Aktiengesellschaft**, Munich (DE)

(**) Term: **14 Years**

(21) Appl. No.: **29/236,072**

(22) Filed: **Aug. 11, 2005**

(30) **Foreign Application Priority Data**

Feb. 25, 2005 (DE) 40501152

(51) **LOC (8) Cl.** **12-16**

(52) **U.S. Cl.** **D12/209**

(58) **Field of Classification Search** D12/204-213;
301/37.101, 64.101, 65

See application file for complete search history.

(56) **References Cited**

U.S. PATENT DOCUMENTS

- D373,562 S * 9/1996 Cole D12/211
- D388,045 S * 12/1997 Sakagami et al. D12/209
- D407,681 S * 4/1999 Sacco et al. D12/209
- D408,774 S * 4/1999 Nishida D12/209
- D423,441 S * 4/2000 Bildhaeuser D12/209

- D432,970 S * 10/2000 Pfeiffer et al. D12/209
- D433,986 S * 11/2000 Wang D12/209
- D440,198 S * 4/2001 Ivanova et al. D12/209
- D441,706 S * 5/2001 Pfeiffer D12/209
- D471,144 S * 3/2003 Pfeiffer D12/209
- D475,961 S * 6/2003 Pfeiffer et al. D12/211
- D513,219 S * 12/2005 Sinkwitz D12/209

FOREIGN PATENT DOCUMENTS

WO DM/056013 6/2001

* cited by examiner

Primary Examiner—Stacia Cadmus

(74) *Attorney, Agent, or Firm*—Crowell & Moring LLP

(57) **CLAIM**

The ornamental design for a front face of a vehicle wheel, as shown and described.

DESCRIPTION

FIG. 1 is a front view of a front face of a vehicle wheel according to my novel design; and,

FIG. 2 is a perspective view of the front face of a vehicle wheel according to my novel design.

The broken lines are for illustrative purposes only and form no part of the claimed design.

1 Claim, 1 Drawing Sheet



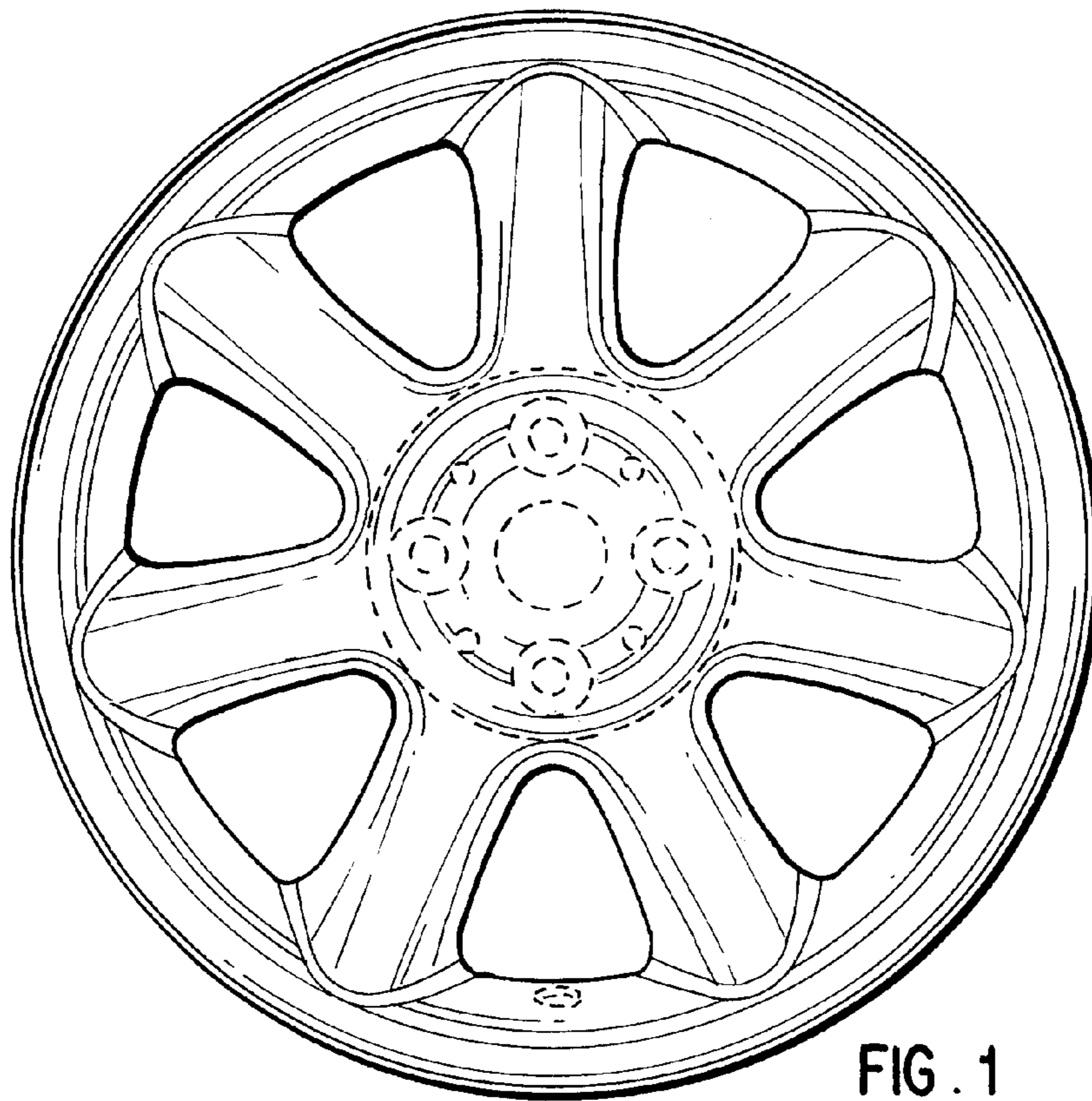


FIG. 1

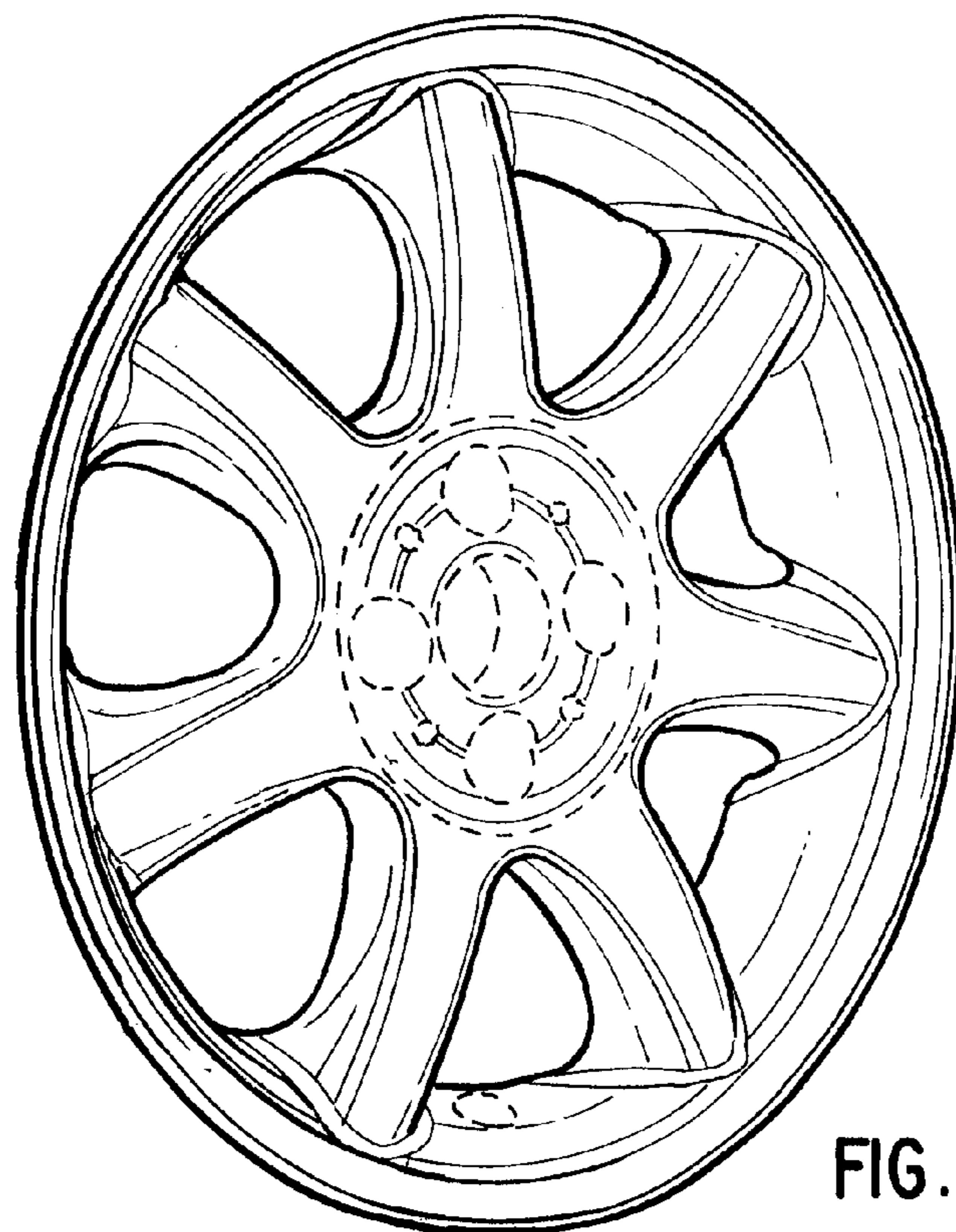


FIG. 2