



US00D523797S

(12) **United States Design Patent**
Gallert

(10) **Patent No.:** **US D523,797 S**

(45) **Date of Patent:** **** Jun. 27, 2006**

(54) **FRONT FACE OF A VEHICLE WHEEL**

(75) Inventor: **Michael Gallert**, Stuttgart (DE)

(73) Assignee: **Dr. Ing. h.c.F. Porsche**
Aktiengesellschaft, Stuttgart (DE)

(**) Term: **14 Years**

(21) Appl. No.: **29/167,288**

(22) Filed: **Sep. 12, 2002**

(30) **Foreign Application Priority Data**

Mar. 30, 2002 (DE) 4 02 02 872

(51) **LOC (8) Cl.** **12-16**

(52) **U.S. Cl.** **D12/209**

(58) **Field of Classification Search** D12/204-213;
301/37.101, 64.101, 65

See application file for complete search history.

(56) **References Cited**

U.S. PATENT DOCUMENTS

D405,749 S * 2/1999 Kulla D12/211

D410,617 S * 6/1999 Hussaini et al. D12/209

D417,646 S * 12/1999 Baumgartner D12/211

D420,320 S * 2/2000 Khoury D12/209

D454,527 S * 3/2002 Bhambra D12/209

D457,118 S * 5/2002 Bhambra D12/211

D488,420 S * 4/2004 Murkett et al. D12/209

D494,119 S * 8/2004 Sands D12/209

D506,428 S * 6/2005 Hussaini et al. D12/209

* cited by examiner

Primary Examiner—Stacia Cadmus

(74) *Attorney, Agent, or Firm*—Crowell & Moring LLP

(57) **CLAIM**

The ornamental design for a front face of a vehicle wheel, as shown and described.

DESCRIPTION

FIG. 1 is a front view of a first embodiment of a front face of a vehicle wheel according to my novel design;

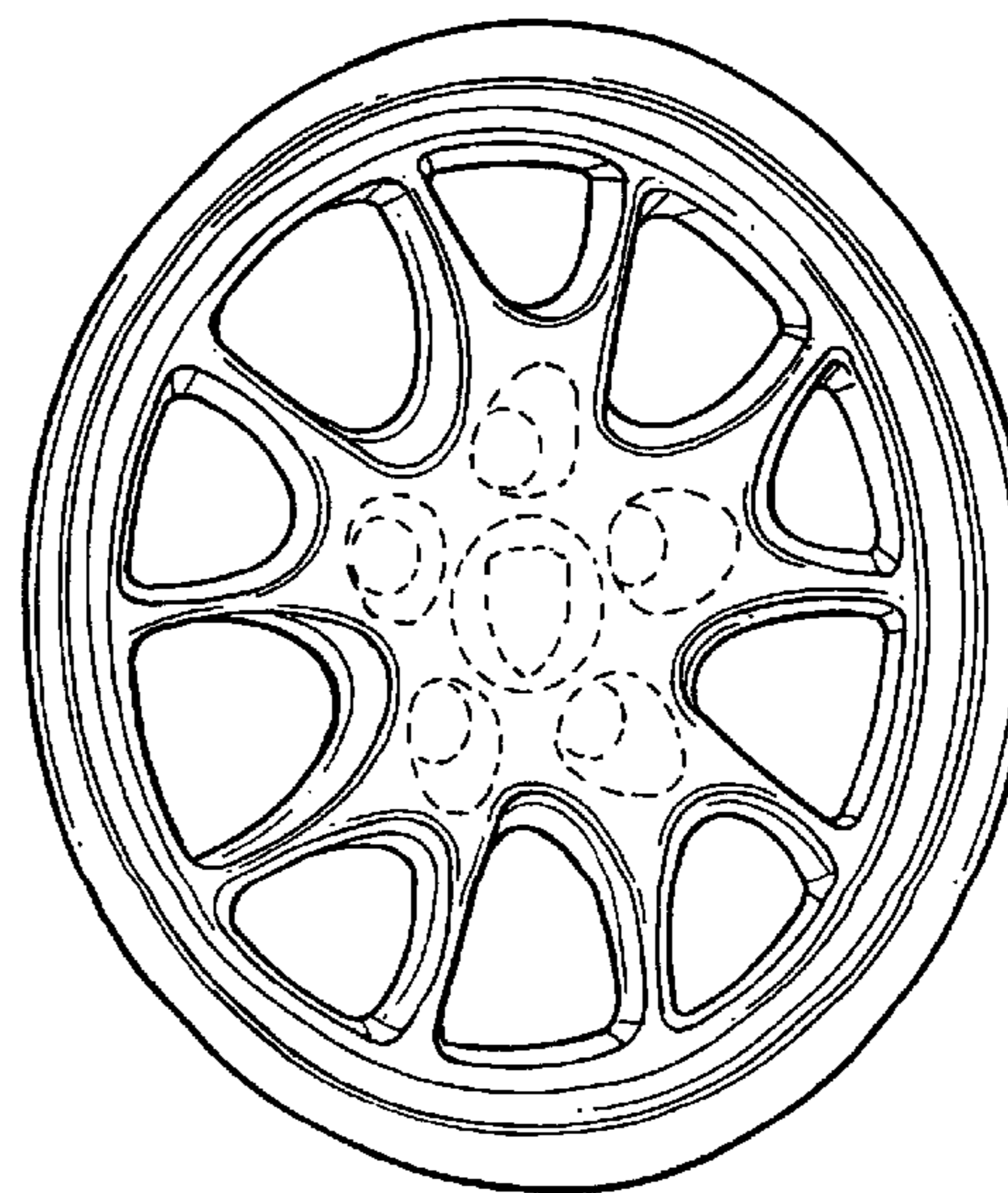
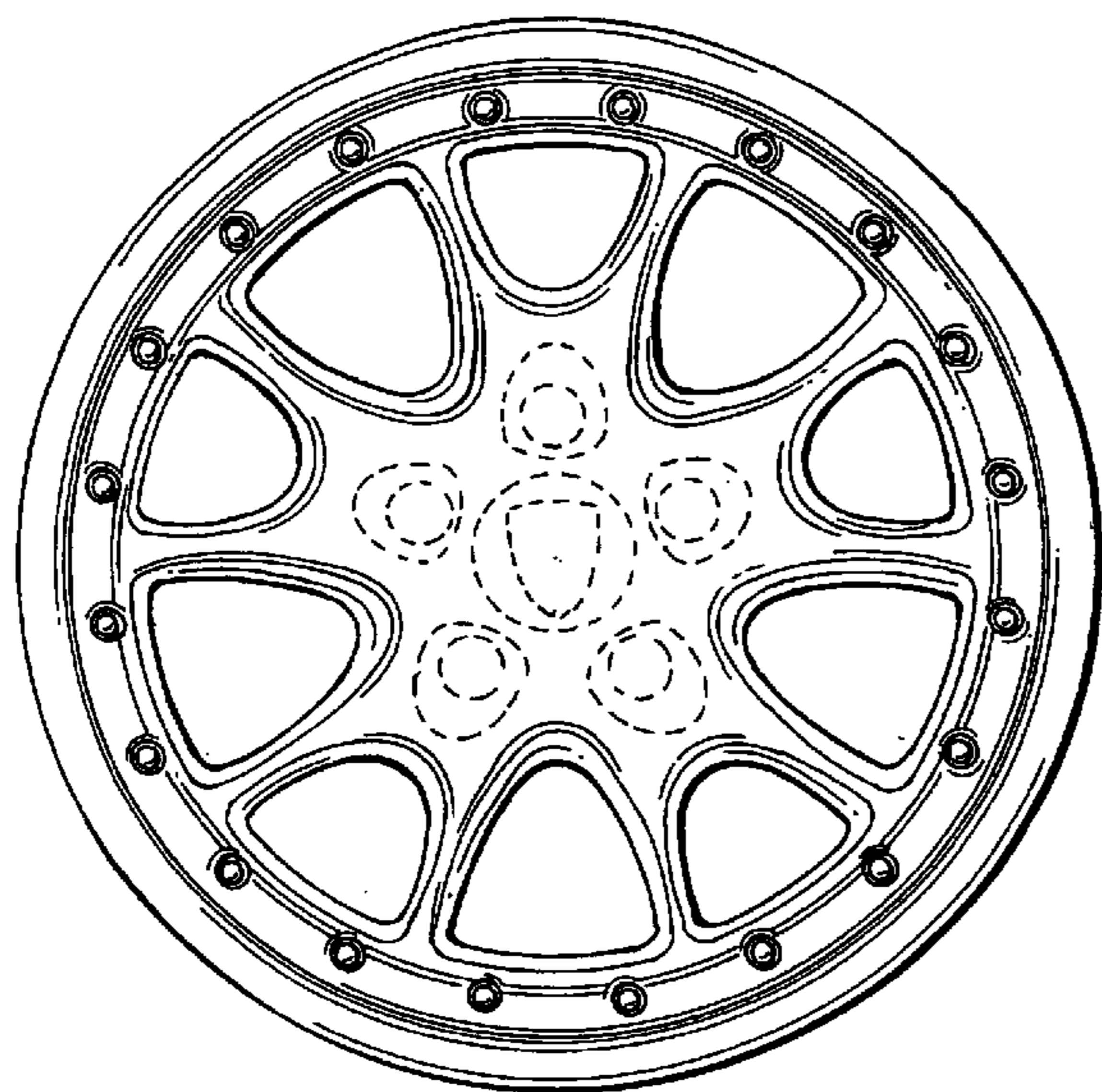
FIG. 2 is a perspective view of the first embodiment of the front face of a vehicle wheel according to my novel design;

FIG. 3 is a front view of a second embodiment of the front face of a vehicle wheel according to my novel design; and,

FIG. 4 is a perspective view of the second embodiment of the front face of a vehicle wheel according to my novel design.

The dash lines included depict environment and are not part of the claimed design.

1 Claim, 2 Drawing Sheets



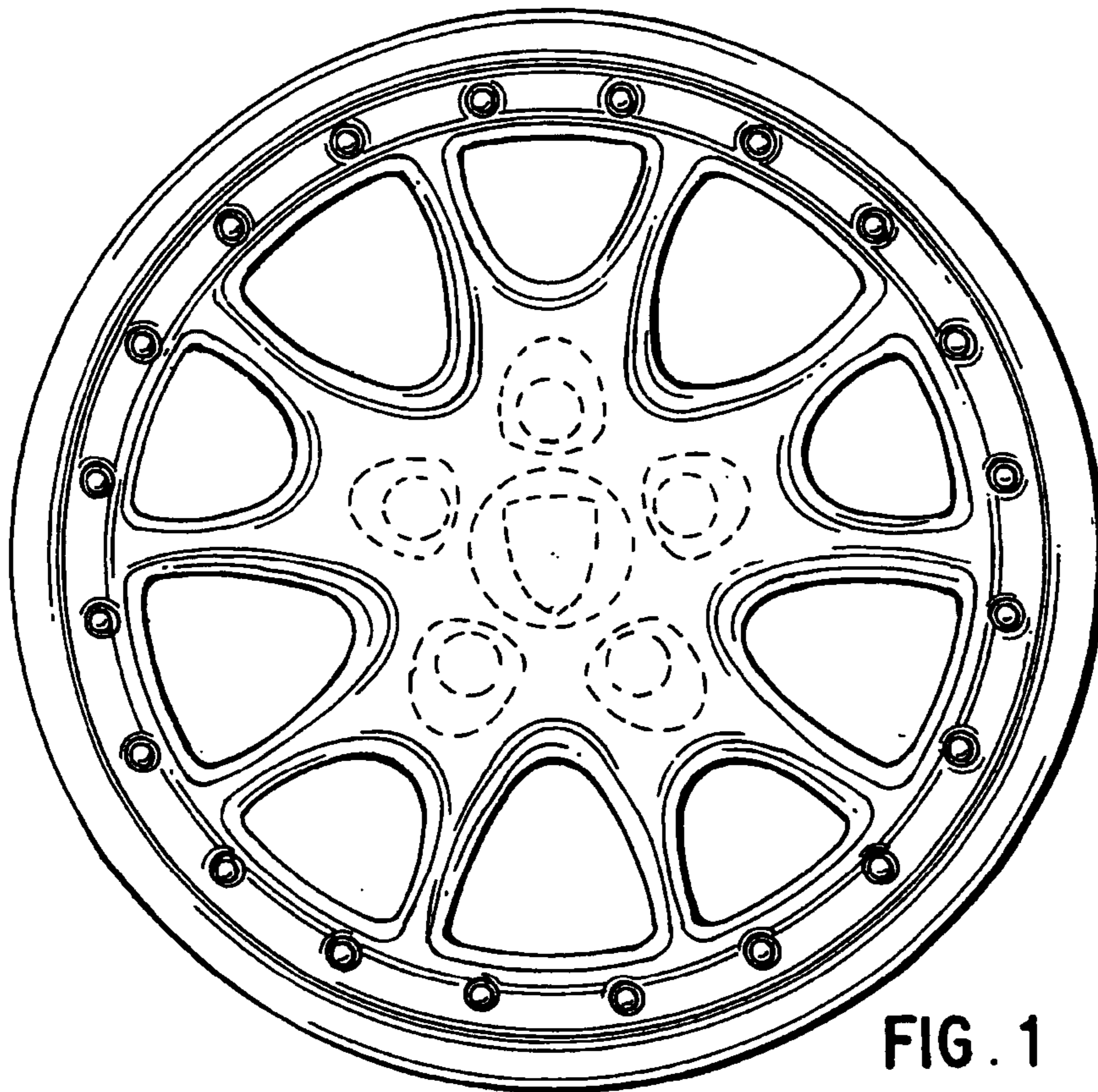


FIG. 1

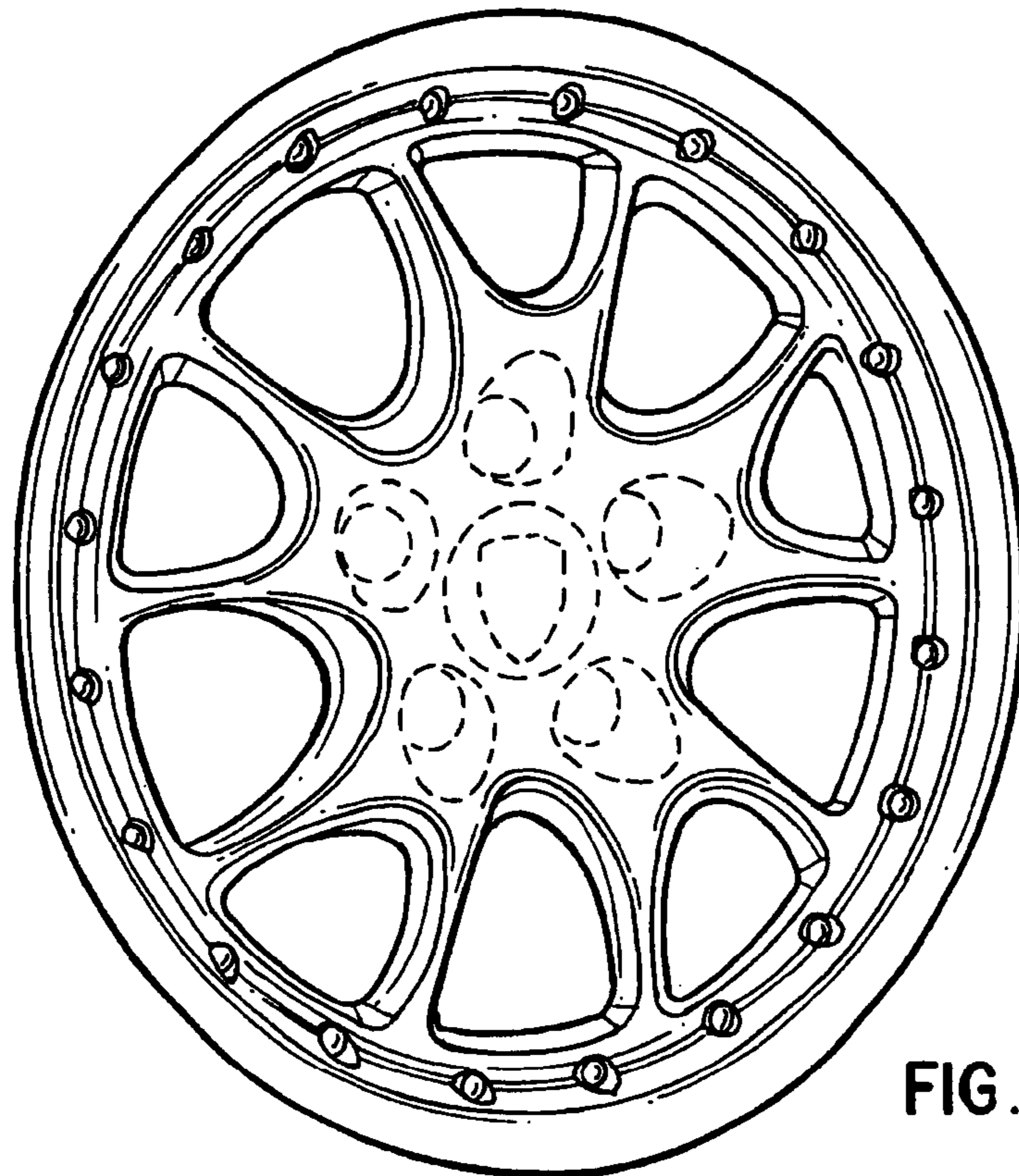


FIG. 2

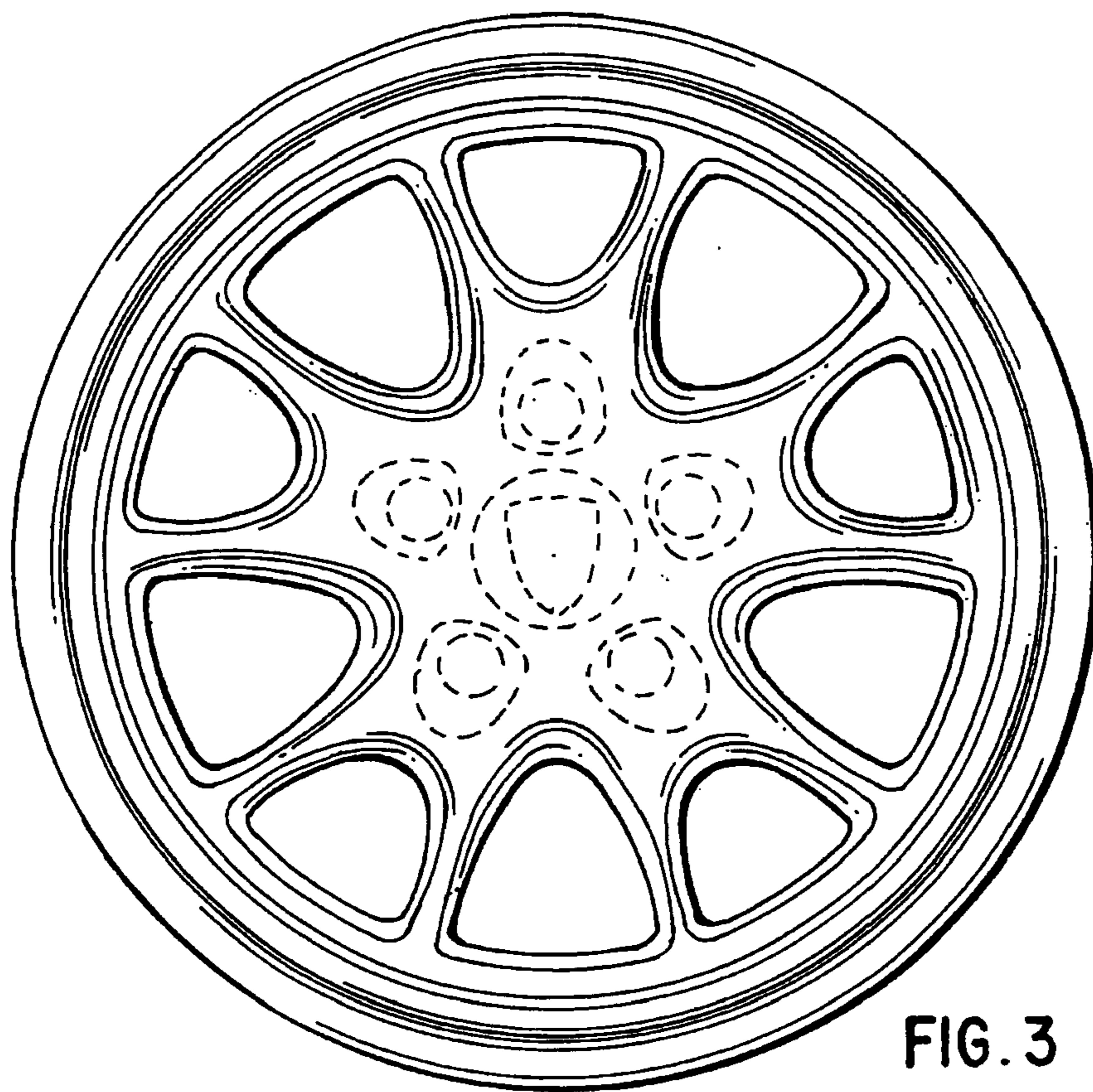


FIG. 3

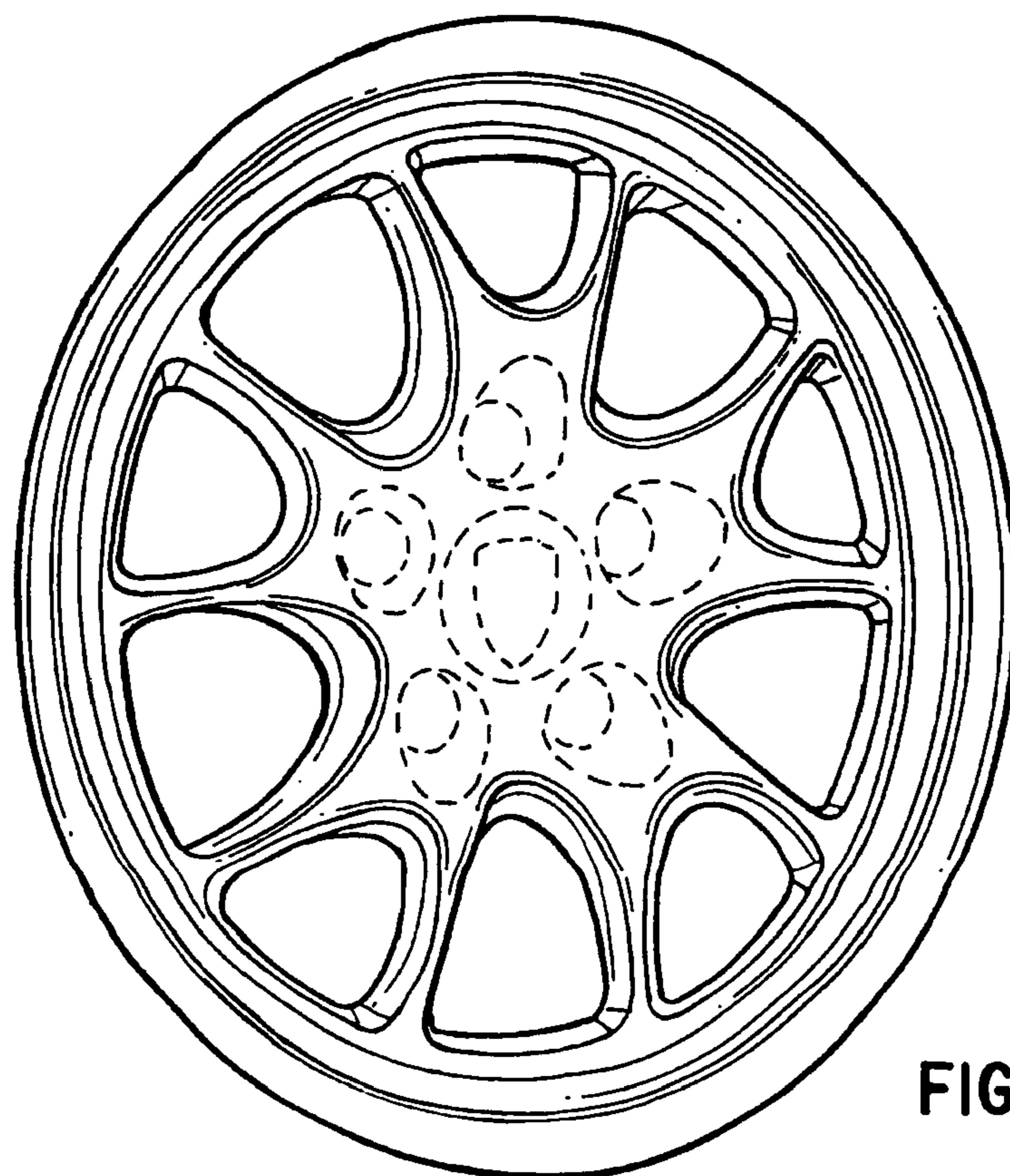


FIG. 4