



US00D523796S

(12) **United States Design Patent**
Marques et al.

(10) **Patent No.:** **US D523,796 S**
(45) **Date of Patent:** **** Jun. 27, 2006**

(54) **EXHAUST TIP**

(76) Inventors: **Ricardo H. Marques**, 5074 S. University Dr., Davie, FL (US) 33328;
Kathy Gauthier, 5074 S. University Dr., Davie, FL (US) 33328

(**) Term: **14 Years**

(21) Appl. No.: **29/228,015**

(22) Filed: **Apr. 19, 2005**

(51) **LOC (8) Cl.** **12-16**

(52) **U.S. Cl.** **D12/194**

(58) **Field of Classification Search** D12/194,
D12/110, 400, 190, 162; D15/5; 60/313,
60/323; 181/211-212, 227-228, 239, 241,
181/262-264, 259-260, 243, 282, 247-249
See application file for complete search history.

(56) **References Cited**

U.S. PATENT DOCUMENTS

D191,509 S	*	10/1961	Feinberg	D12/194
D377,778 S		2/1997	Houser		
D384,319 S		9/1997	Harutiunian		
6,085,863 A	*	7/2000	Shuen	181/228
D450,638 S	*	11/2001	Calderon	D12/162
D468,673 S		1/2003	Horowitz		

D469,395 S	*	1/2003	Himsl et al.	D12/400
D489,664 S	*	5/2004	Barnes	D12/194
D490,038 S	*	5/2004	Macaluso	D12/194
D497,128 S	*	10/2004	Manjarrez	D12/194

* cited by examiner

Primary Examiner—Stacia Cadmus

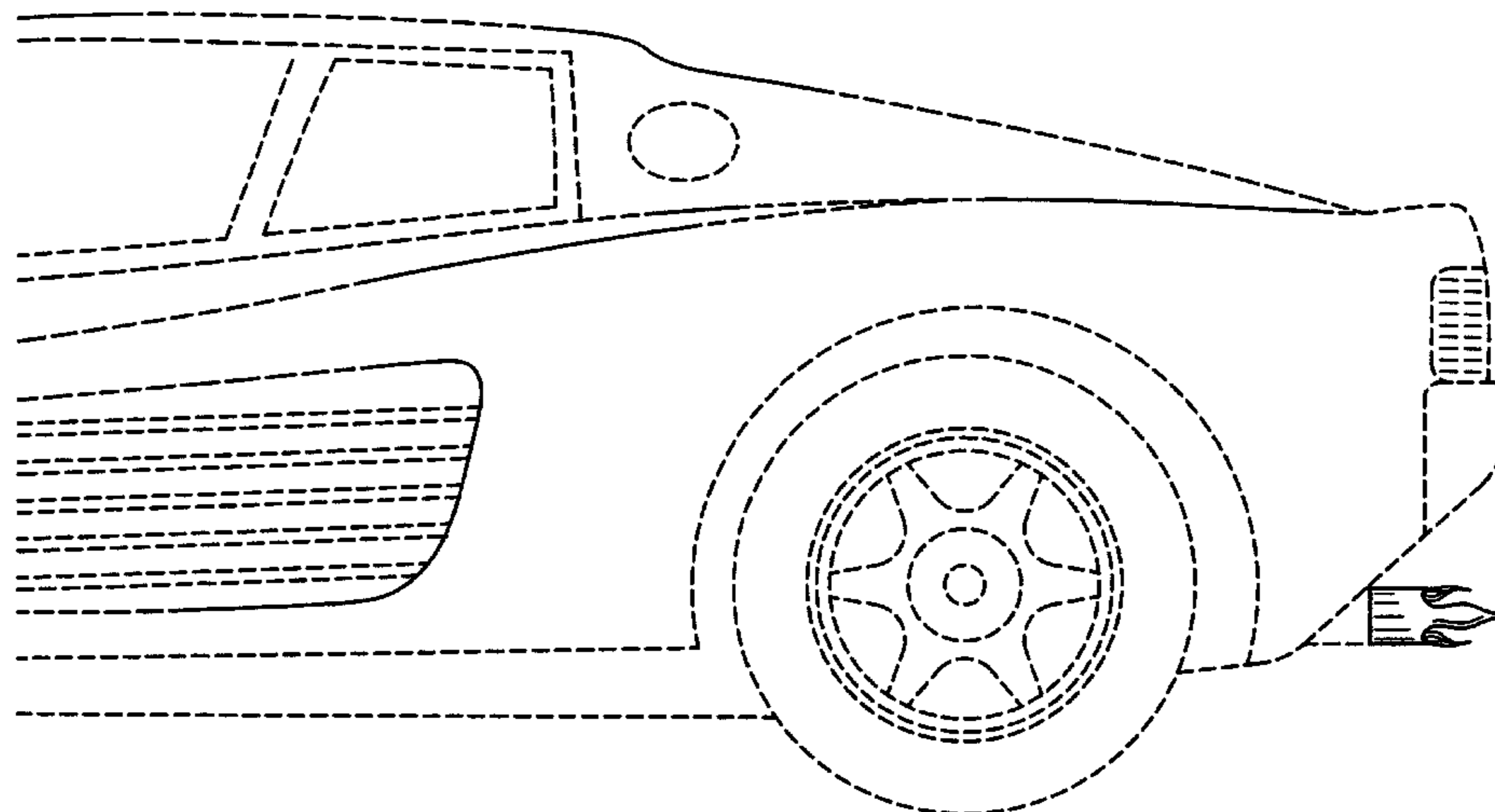
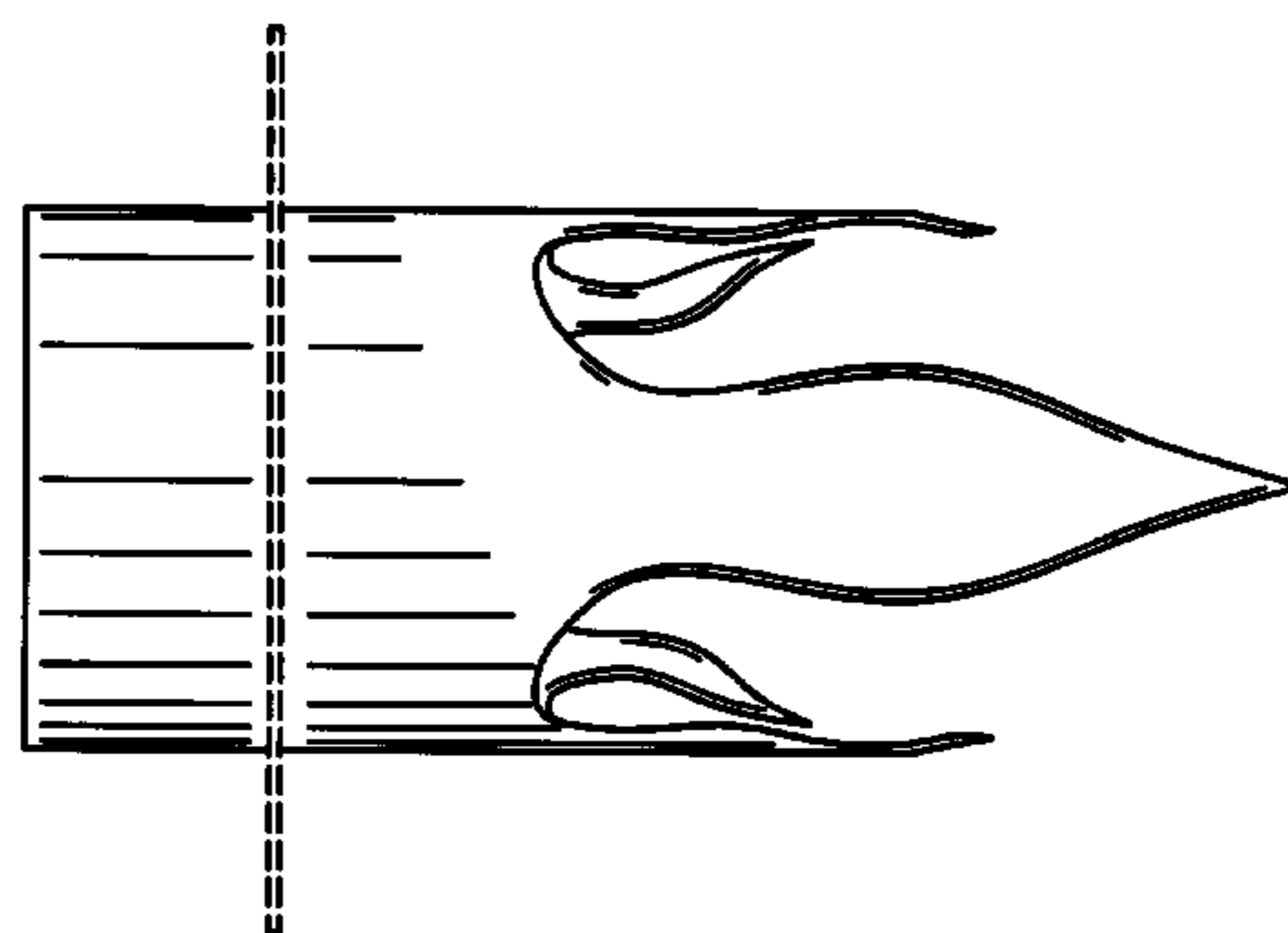
(57) **CLAIM**

The ornamental design for an exhaust tip, as shown and described.

DESCRIPTION

FIG. 1 is a front view of an exhaust tip, showing my new design;
FIG. 2 is a rear view thereof;
FIG. 3 is a top plan view thereof;
FIG. 4 is a right side view thereof;
FIG. 5 is a left side view thereof;
FIG. 6 is a reduce side view of the exhaust tip shown in its position of use on a motor boat;
FIG. 7 is a reduced side view of the exhaust tip shown in its position of use on an automobile; and,
FIG. 8 is a reduced side view of the exhaust tip shown in its position of use on a motorcycle.
The broken line showing of environment is for illustrative purposes only and forms no part of the claimed design.

1 Claim, 5 Drawing Sheets



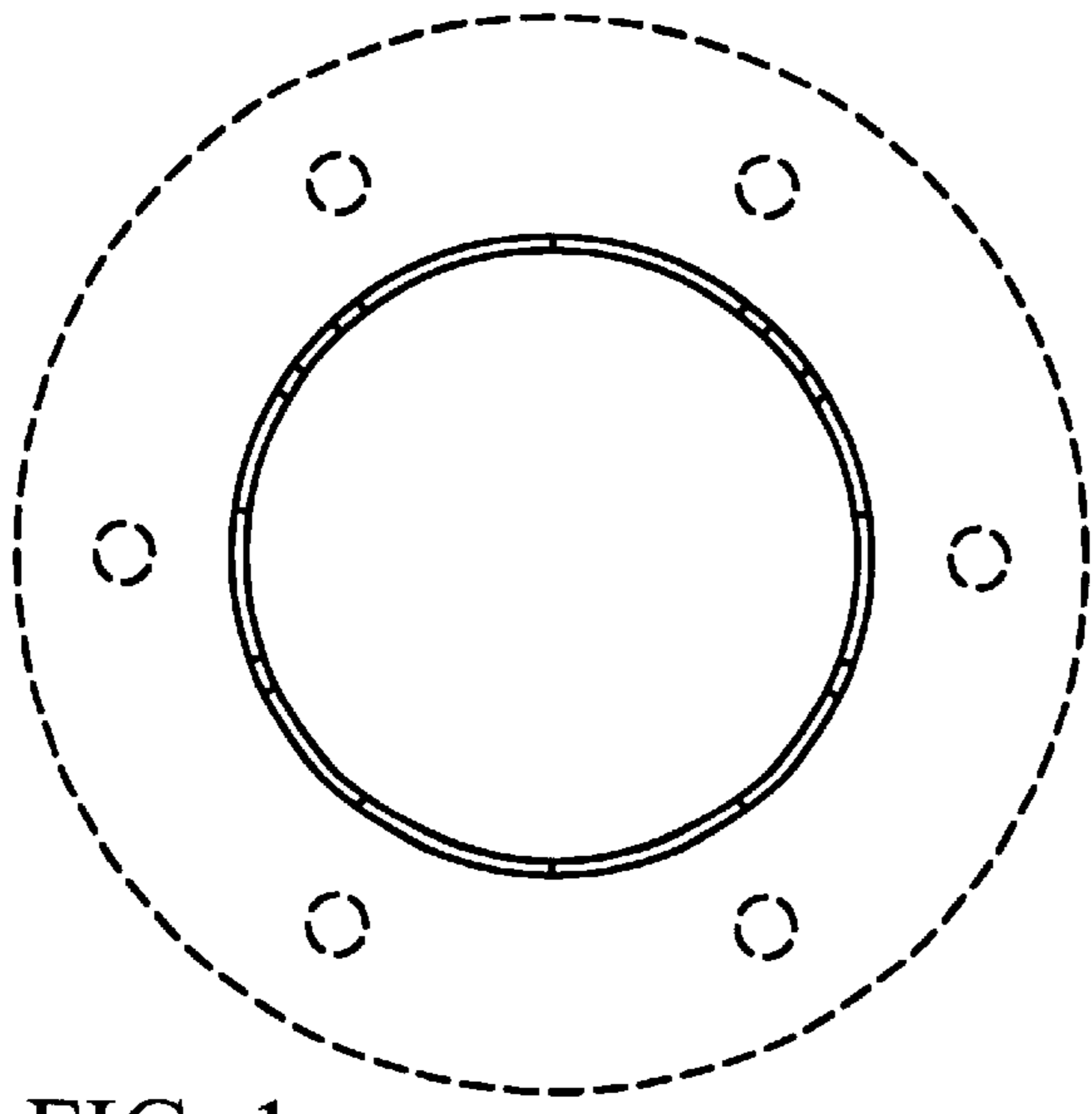


FIG. 1



FIG. 3

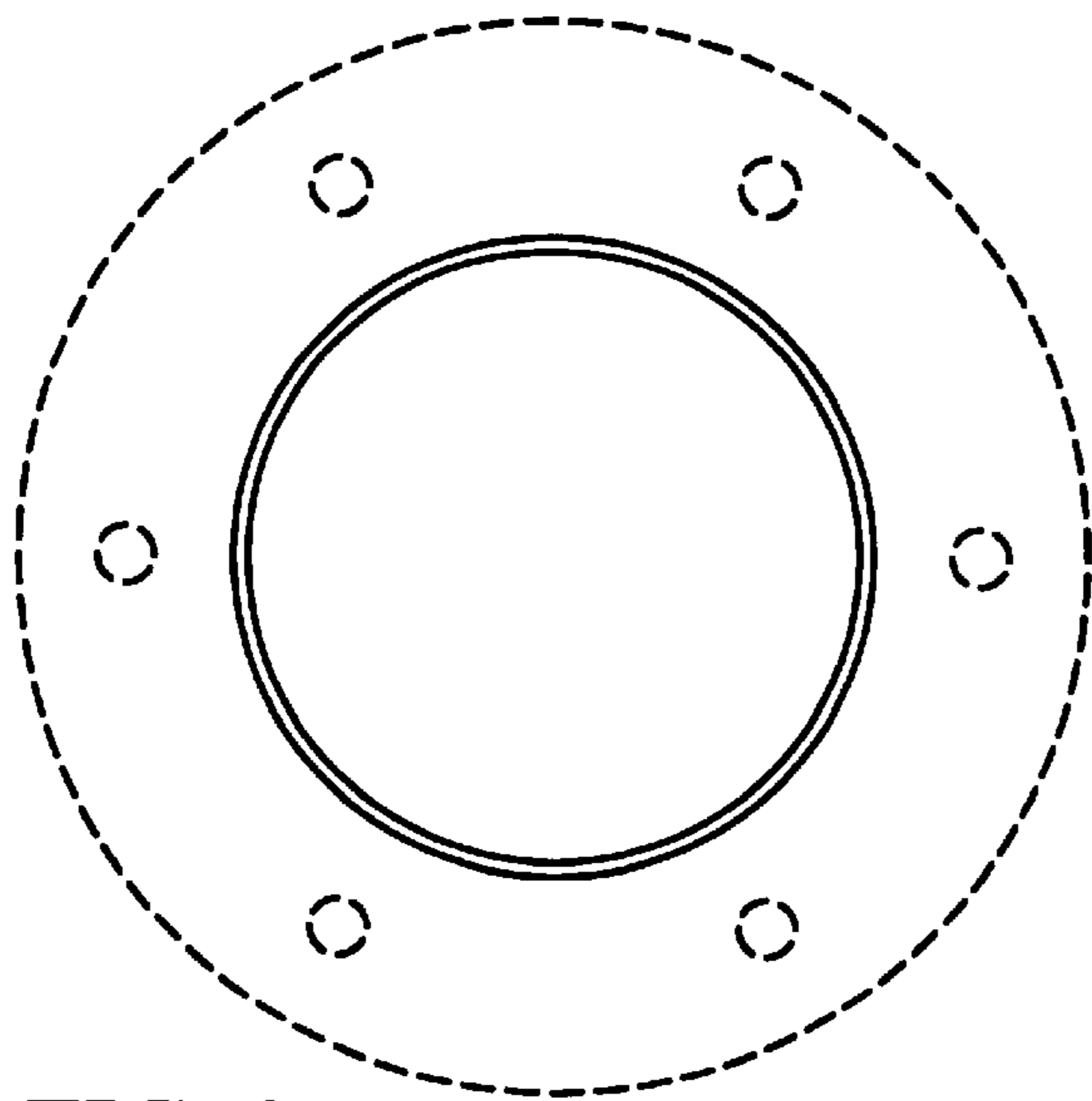


FIG. 2

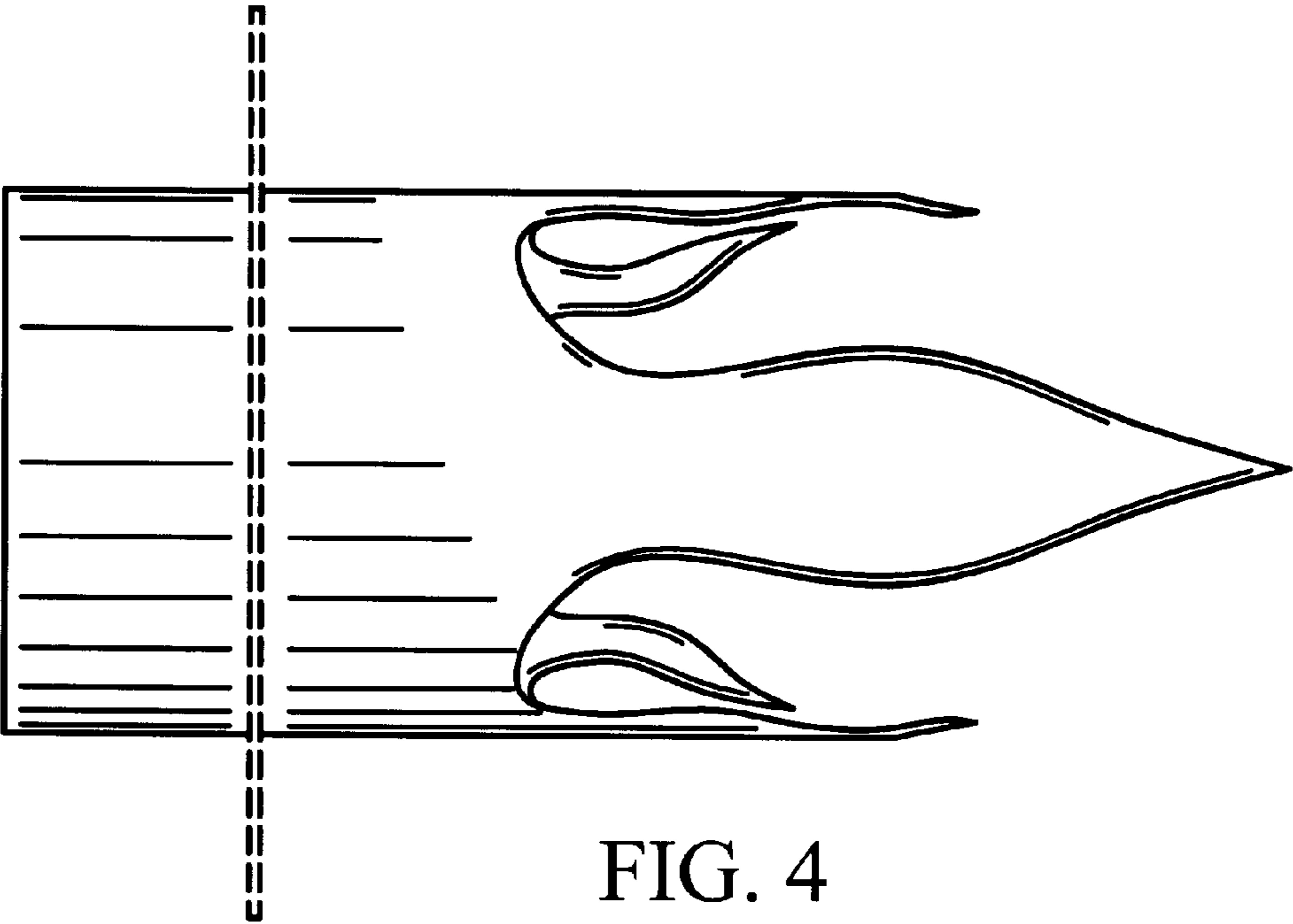


FIG. 4

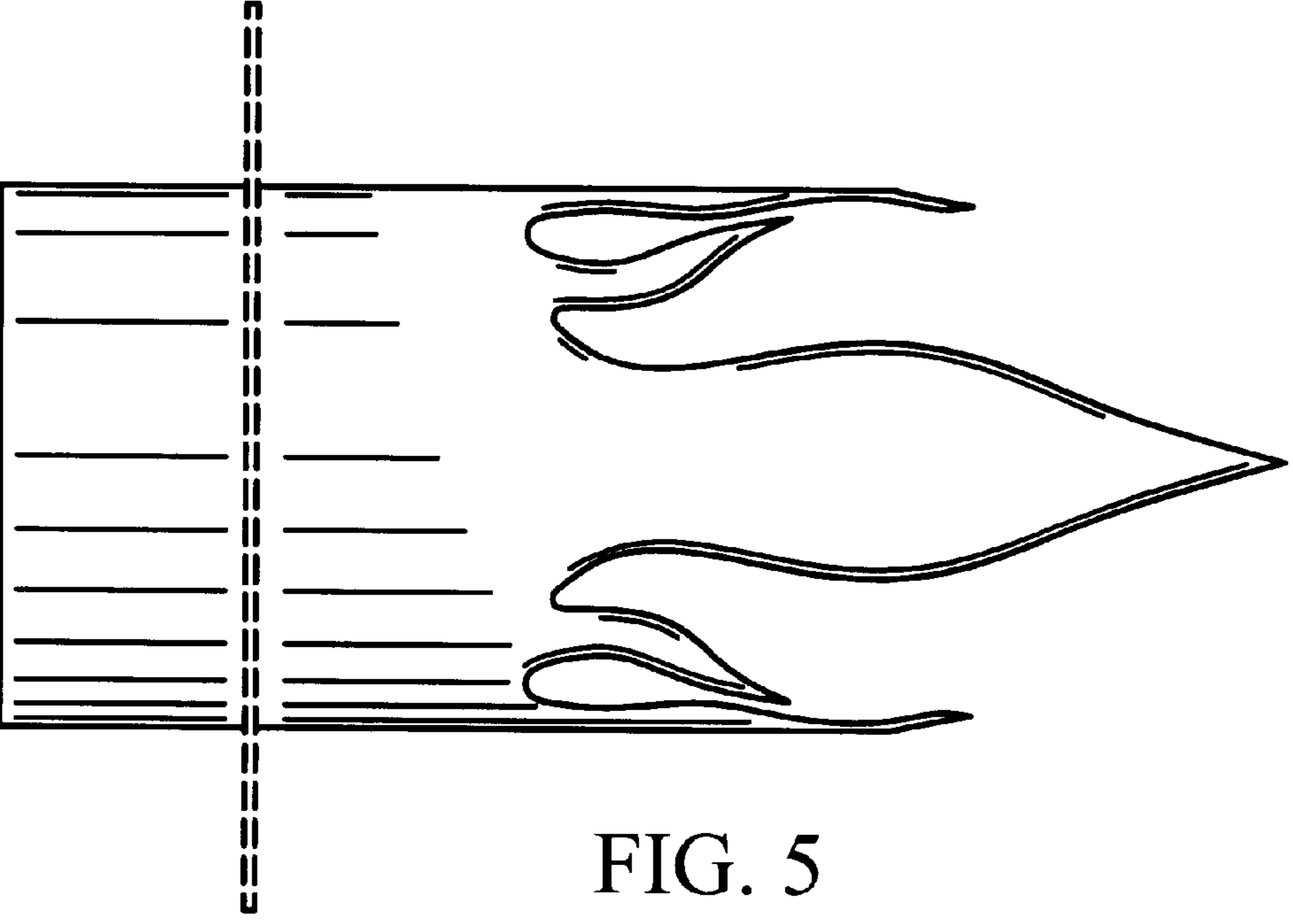


FIG. 5

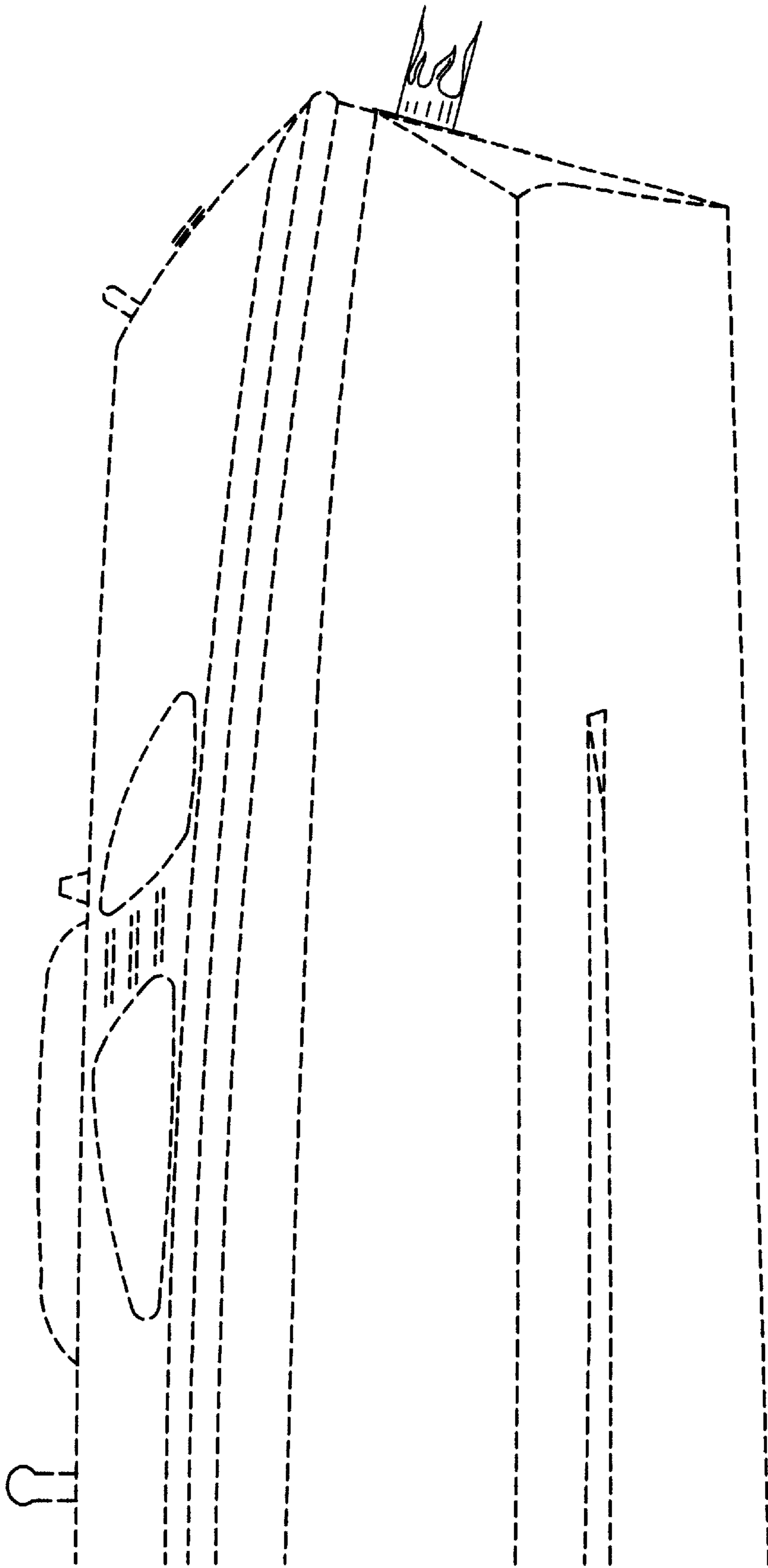


FIG. 6

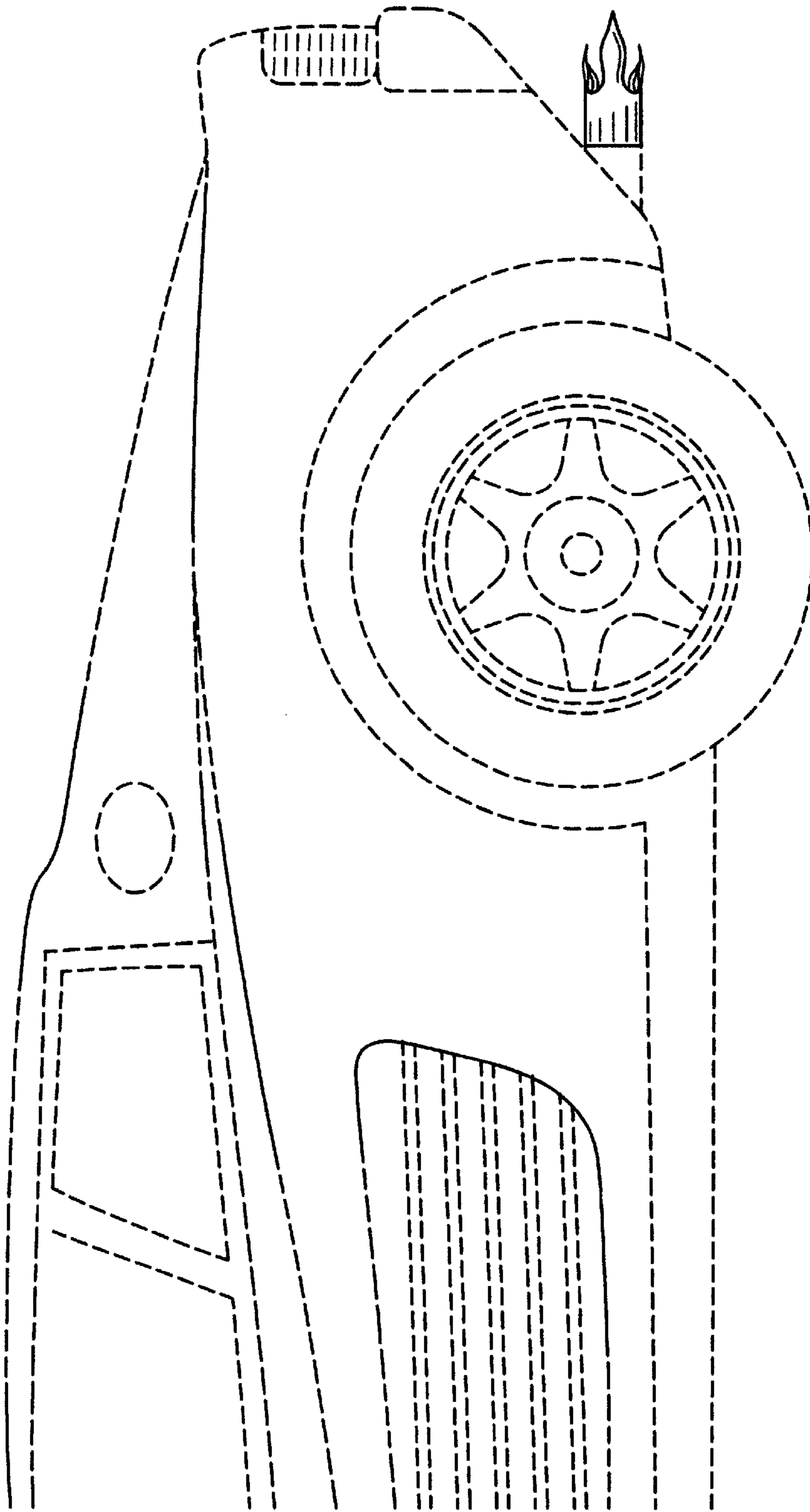


FIG. 7

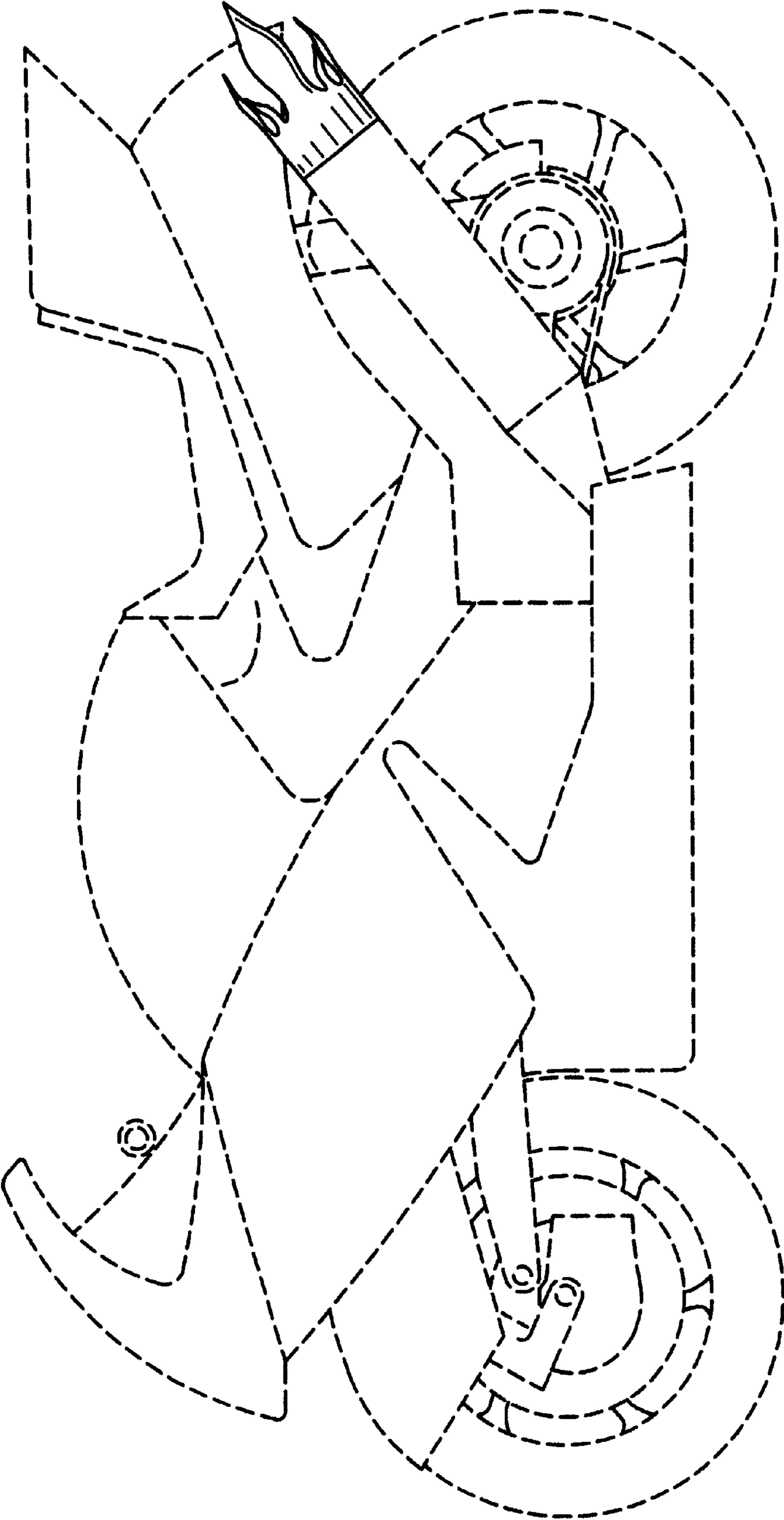


FIG. 8