

US00D523795S

(12) **United States Design Patent**
Ichikawa et al.

(10) **Patent No.:** **US D523,795 S**
(45) **Date of Patent:** **** Jun. 27, 2006**

(54) **PAIR OF REAR MUDGUARDS OF AN AUTOMOBILE**

D429,663 S 8/2000 Tamashima et al.

FOREIGN PATENT DOCUMENTS

(75) Inventors: **Manabu Ichikawa**, Wako (JP);
Takatsugo Kido, Wako (JP)

JP	D-1089557	8/2000
JP	D-1124705	10/2001
JP	D-1124713	10/2001

(73) Assignee: **Honda Motor Co., Ltd.**, Tokyo (JP)

OTHER PUBLICATIONS

(**) Term: **14 Years**

Notification of Refusal Reasons dated Jan. 16, 2004.
Page 101 of magazine entitled *Car Styling*.

(21) Appl. No.: **29/221,684**

Primary Examiner—Alan P. Douglas
Assistant Examiner—Linda Brooks

(22) Filed: **Jan. 21, 2005**

(74) *Attorney, Agent, or Firm*—Westerman, Hattori,
Daniels & Adrian, LLP.

Related U.S. Application Data

(63) Continuation of application No. 29/178,622, filed on Mar. 31, 2003.

(57) **CLAIM**

(30) **Foreign Application Priority Data**

The ornamental design for a, pair of rear mudguards of an automobile, as shown and described.

Jul. 15, 2002 (JP) 2002-018955

DESCRIPTION

(51) **LOC (8) Cl.** **12-16**

FIG. 1 is a rear elevation view of a pair of rear mudguards of an automobile, showing our new design; FIG. 2 is a rear right perspective view; FIG. 3 is a rear left perspective view; and, FIG. 4 is a top plan view.

(52) **U.S. Cl.** **D12/184**

(58) **Field of Classification Search** D12/3,
D12/86, 87, 107, 110, 184-186, 182; 180/225,
180/229, 233, 311, 312, 315; 280/152.1-152.3,
280/847, 848, 851, 852

See application file for complete search history.

The broken lines immediately adjacent the shaded areas represent the boundaries of the claimed design and form no part thereof, and the broken lines showing environment form no part of the claimed design.

(56) **References Cited**

U.S. PATENT DOCUMENTS

D428,363 S 7/2000 Sugimoto et al.

1 Claim, 4 Drawing Sheets

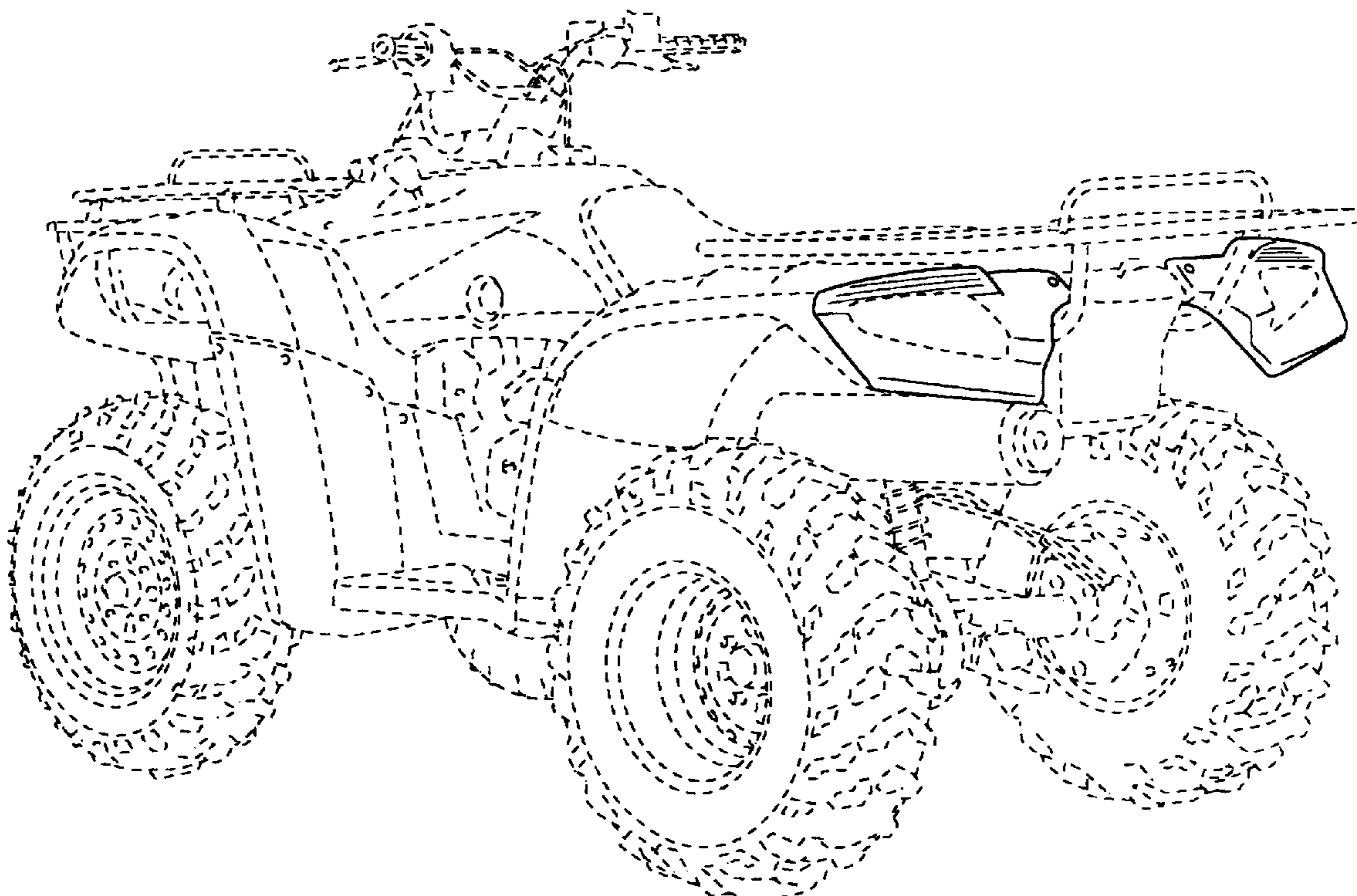


Fig. 1

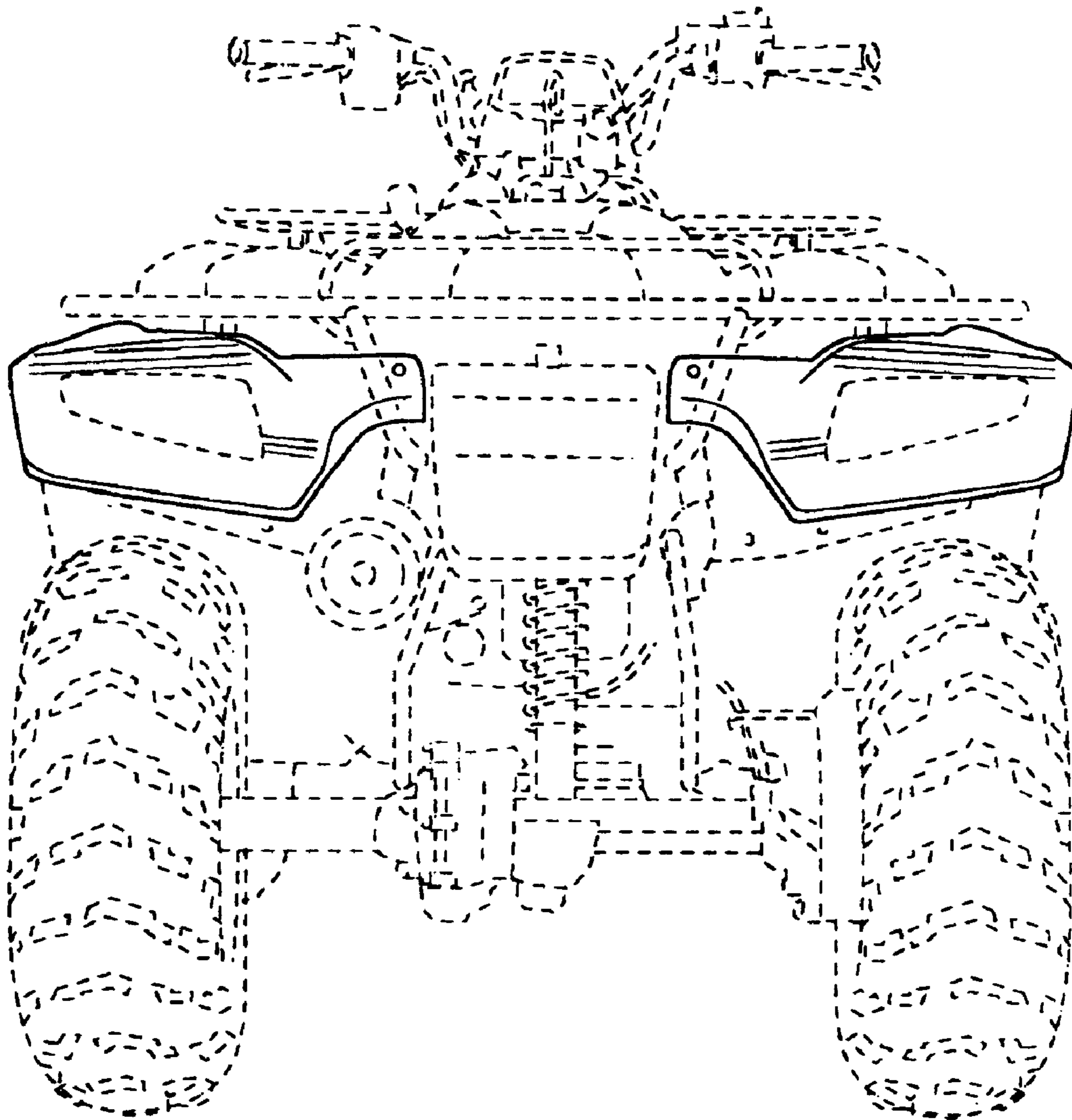


Fig. 2

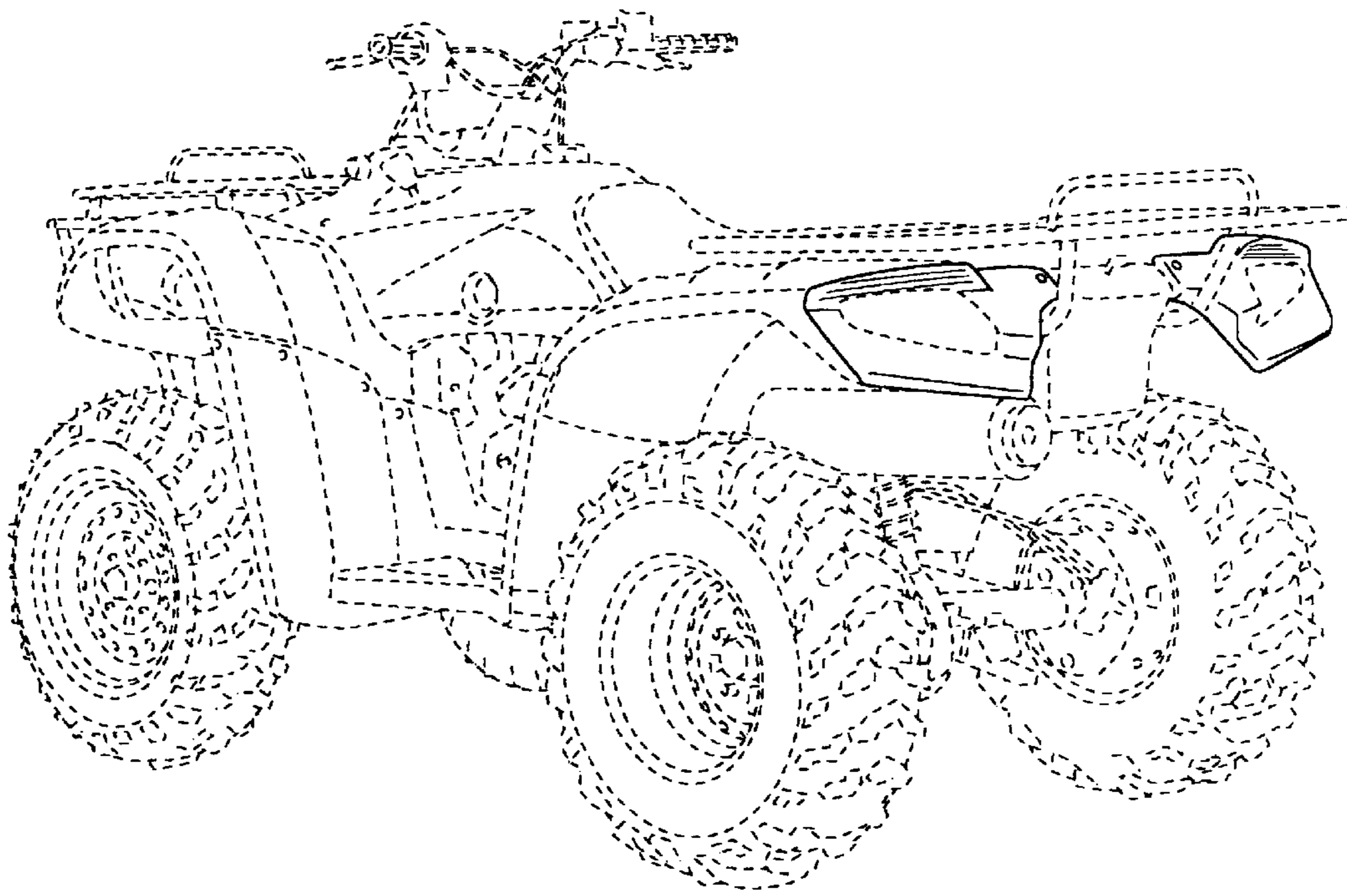


Fig. 3

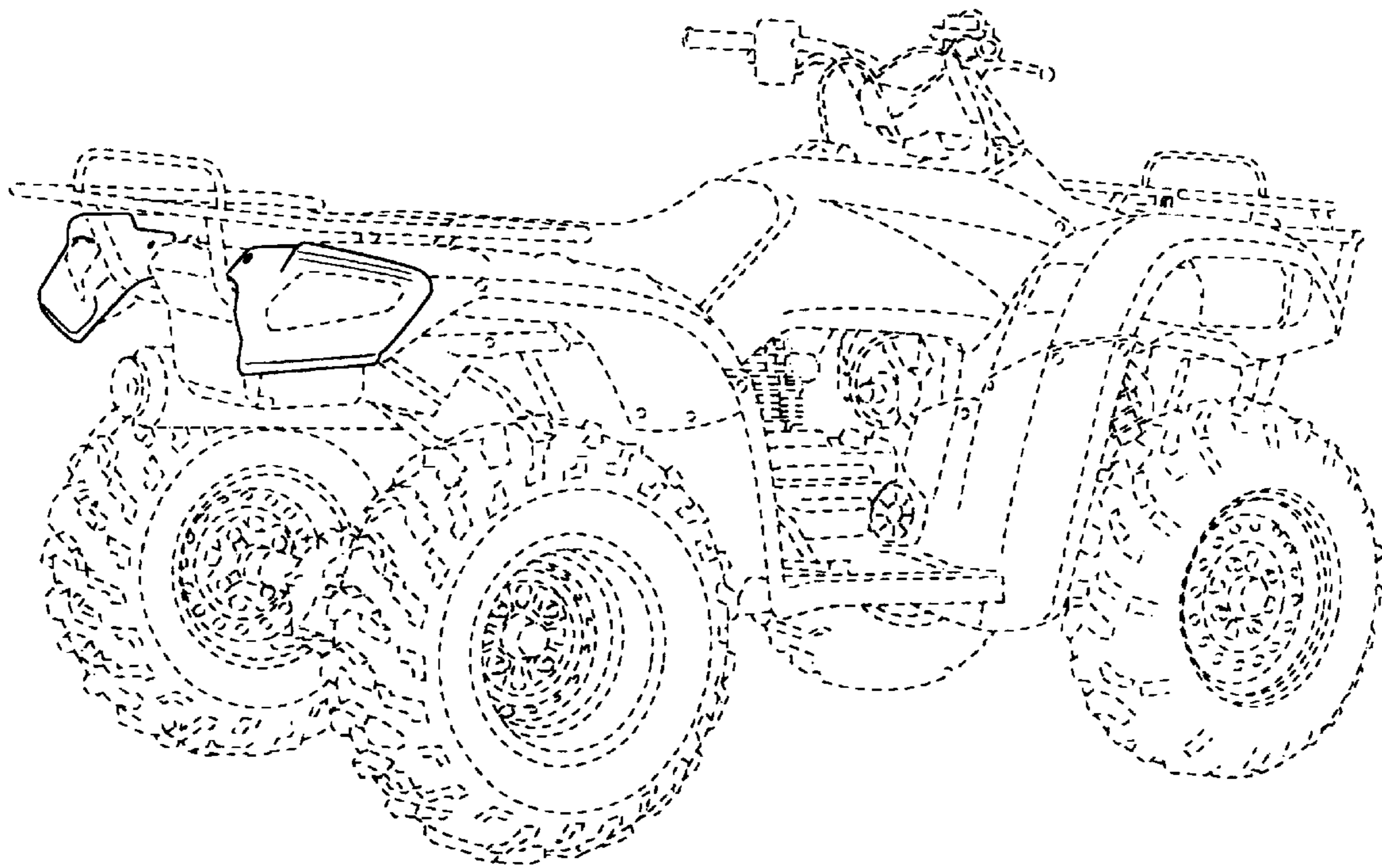
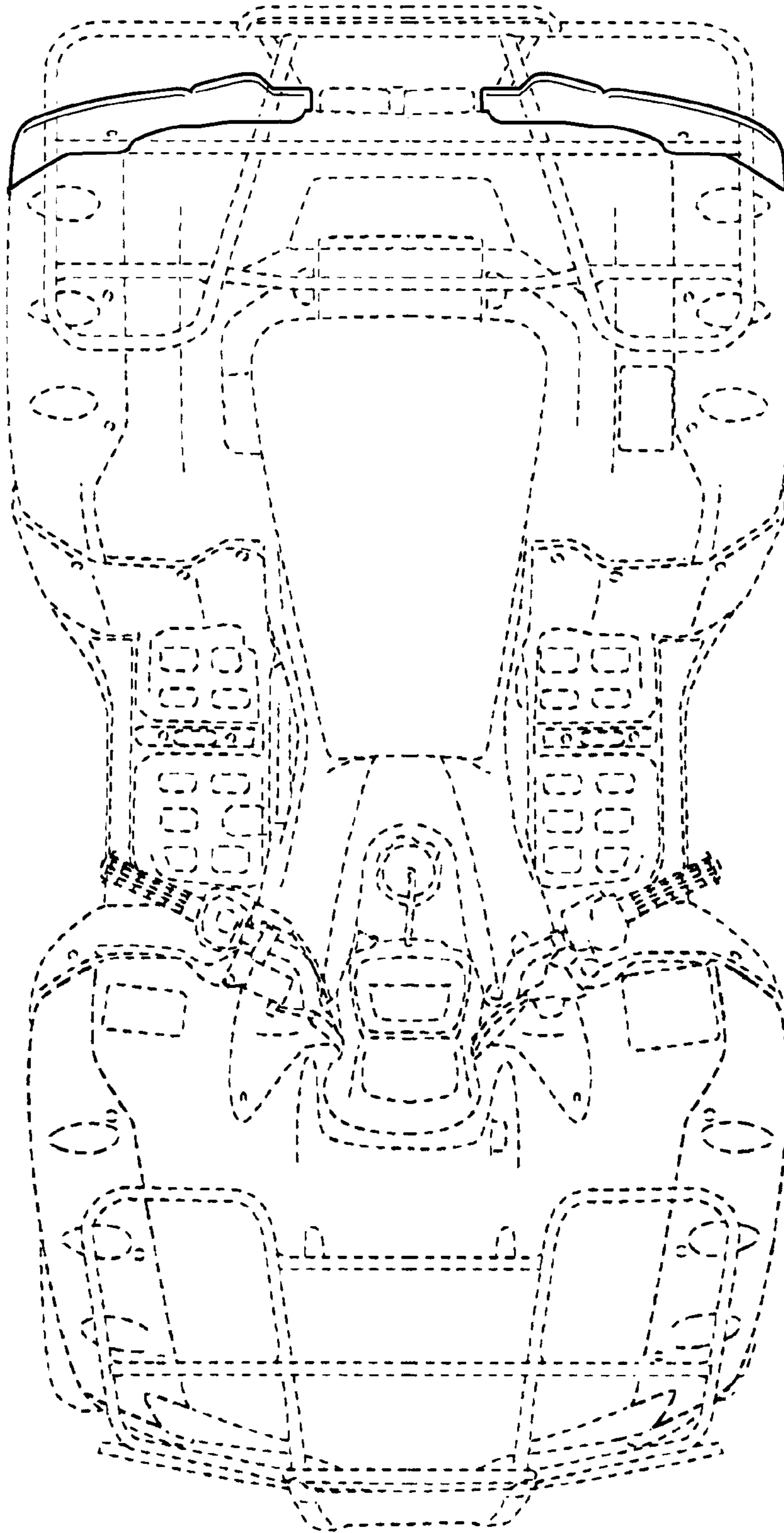


Fig. 4



UNITED STATES PATENT AND TRADEMARK OFFICE
CERTIFICATE OF CORRECTION

PATENT NO. : Des. 523,795 S
APPLICATION NO. : 29/221684
DATED : June 27, 2006
INVENTOR(S) : Manabu Ichikawa et al.

Page 1 of 1

It is certified that error appears in the above-identified patent and that said Letters Patent is hereby corrected as shown below:

Title Page:

Item (75) **Inventors**, please change the second inventors name, "Takatsugo Kido" to -- Takatsugu Kido --.

Signed and Sealed this

Thirty-first Day of October, 2006

A handwritten signature in black ink on a dotted background. The signature reads "Jon W. Dudas" in a cursive style.

JON W. DUDAS

Director of the United States Patent and Trademark Office