



US00D523794S

(12) **United States Design Patent**
Strumbo et al.

(10) **Patent No.:** **US D523,794 S**
(45) **Date of Patent:** **** Jun. 27, 2006**

- (54) **CALIPER FOR DISC BRAKES**
- (75) Inventors: **Fortunato Strumbo**, Vendrogno (IT);
Claudio Nava, Ambivere (IT)
- (73) Assignee: **Freni Brembo S.p.A.**, Bergamo (IT)
- (**) Term: **14 Years**
- (21) Appl. No.: **29/217,900**
- (22) Filed: **Nov. 24, 2004**
- (30) **Foreign Application Priority Data**
May 24, 2004 (IT) BS2004O031
- (51) **LOC (8) Cl.** **12-16**
- (52) **U.S. Cl.** **D12/180**
- (58) **Field of Classification Search** D12/180;
188/73.3, 73.31-73.39, 73.43, 73.45, 218 XL,
188/1.11 W; 192/70.17, 70.2
See application file for complete search history.

- D425,465 S * 5/2000 Pink et al. D12/180
- D426,180 S * 6/2000 Pink et al. D12/180
- 6,247,561 B1 * 6/2001 Doi et al. 188/73.39
- D458,199 S * 6/2002 Demoise et al. D12/180
- D491,500 S * 6/2004 Fujiwara et al. D12/180
- D506,714 S * 6/2005 Ono D12/180

* cited by examiner

Primary Examiner—Melody N. Brown

(74) *Attorney, Agent, or Firm*—Shoemaker and Mattare

(57) **CLAIM**

The ornamental design for a caliper for disc brakes, as shown and described.

DESCRIPTION

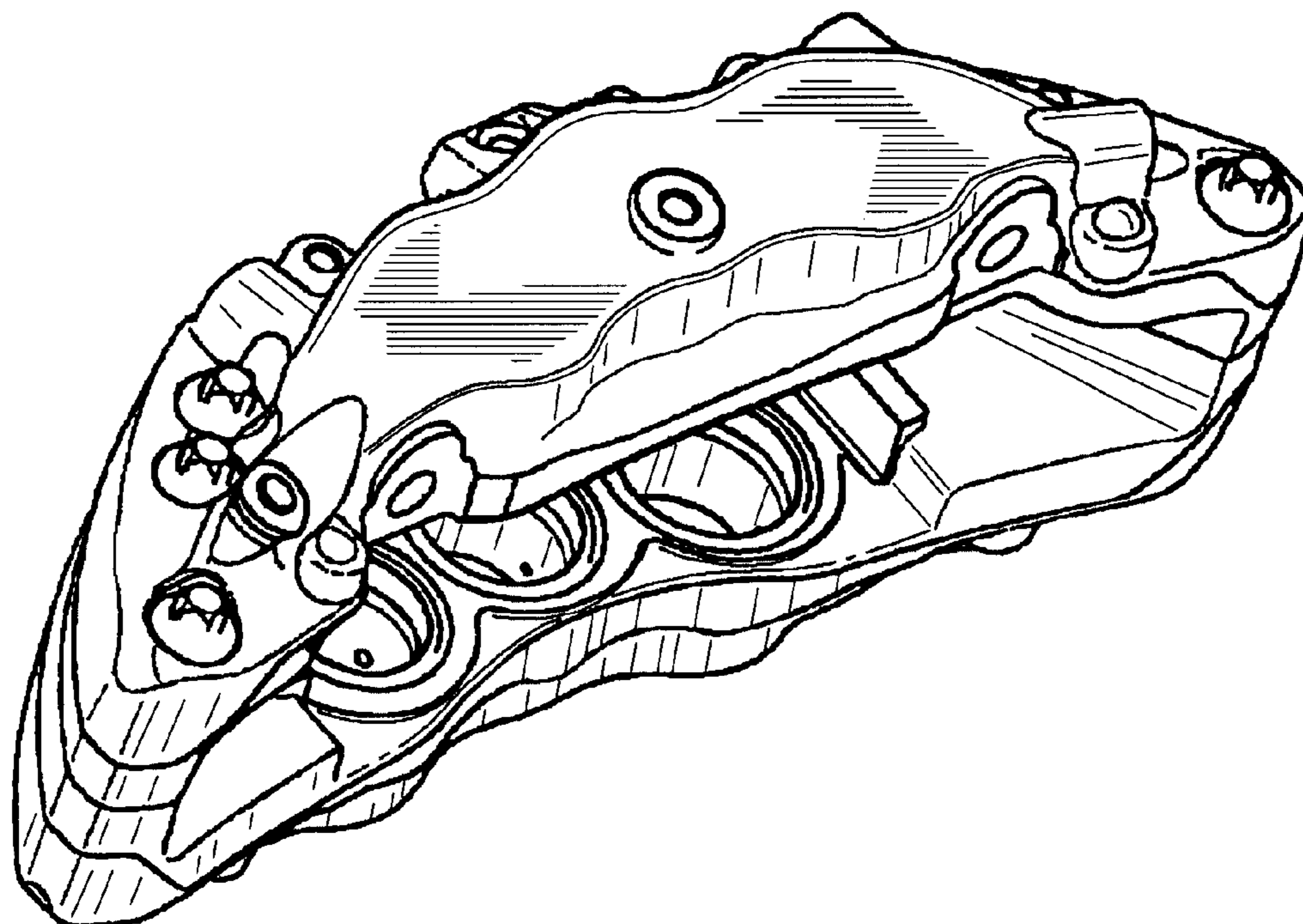
FIG. 1 is a front elevational view of a caliper for disc brakes, showing my new design;
 FIG. 2 is a rear elevational view thereof;
 FIG. 3 is a right side elevational view thereof;
 FIG. 4 is a left side elevational view thereof;
 FIG. 5 is a top plan view thereof;
 FIG. 6 is a bottom plan view thereof;
 FIG. 7 is a perspective view thereof from the top, rear and right side; and,
 FIG. 8 is a perspective view thereof from the bottom, rear and right side.

(56) **References Cited**

U.S. PATENT DOCUMENTS

- D351,365 S * 10/1994 Powers D12/180
- D354,469 S * 1/1995 Powers D12/180
- 5,499,696 A * 3/1996 Kobayashi et al. 188/1.11 W
- D373,340 S * 9/1996 Sands D12/180
- D417,178 S * 11/1999 Gallagher D12/180

1 Claim, 4 Drawing Sheets



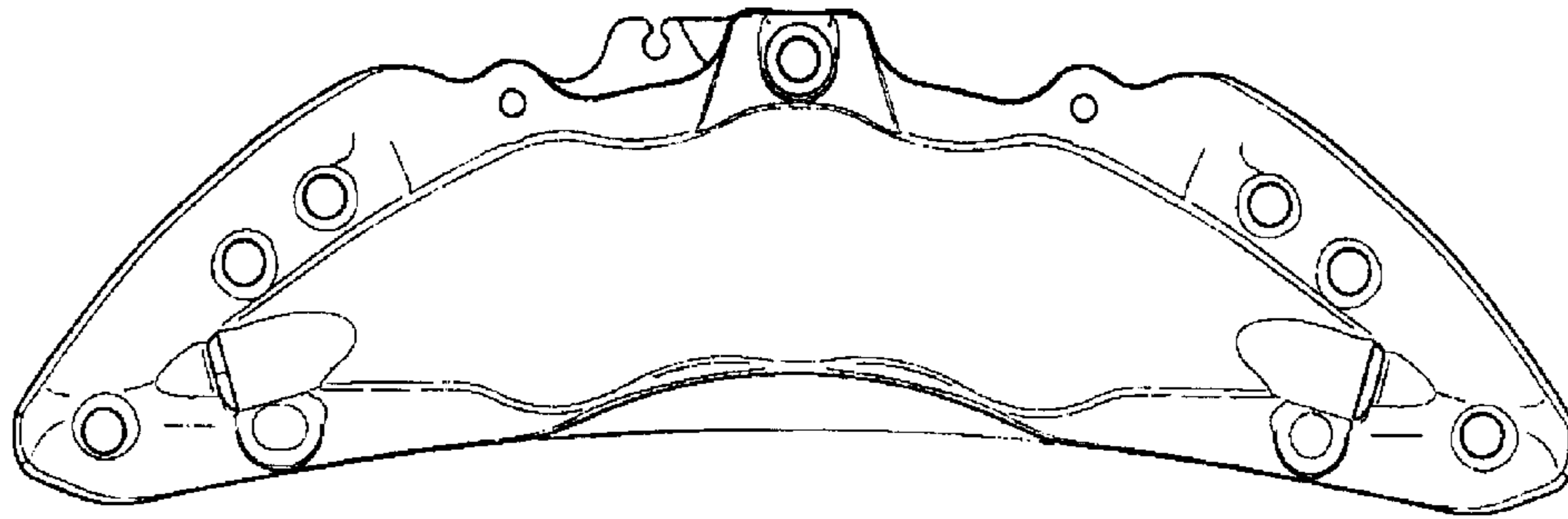


Fig. 1

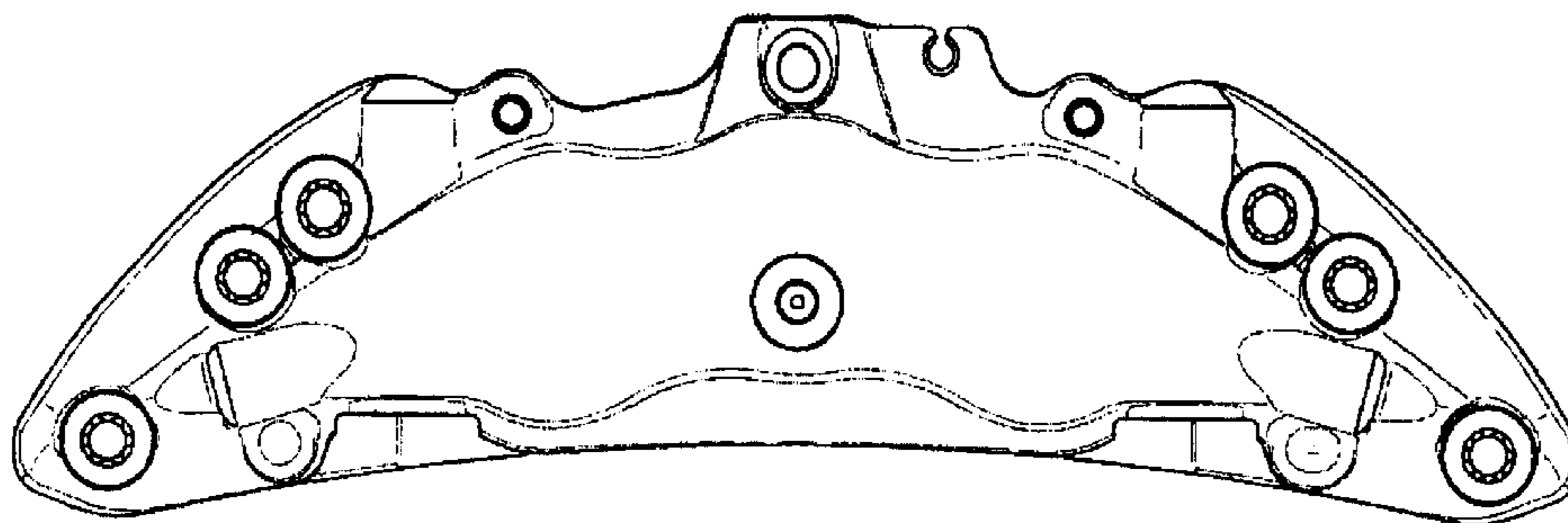


Fig. 2

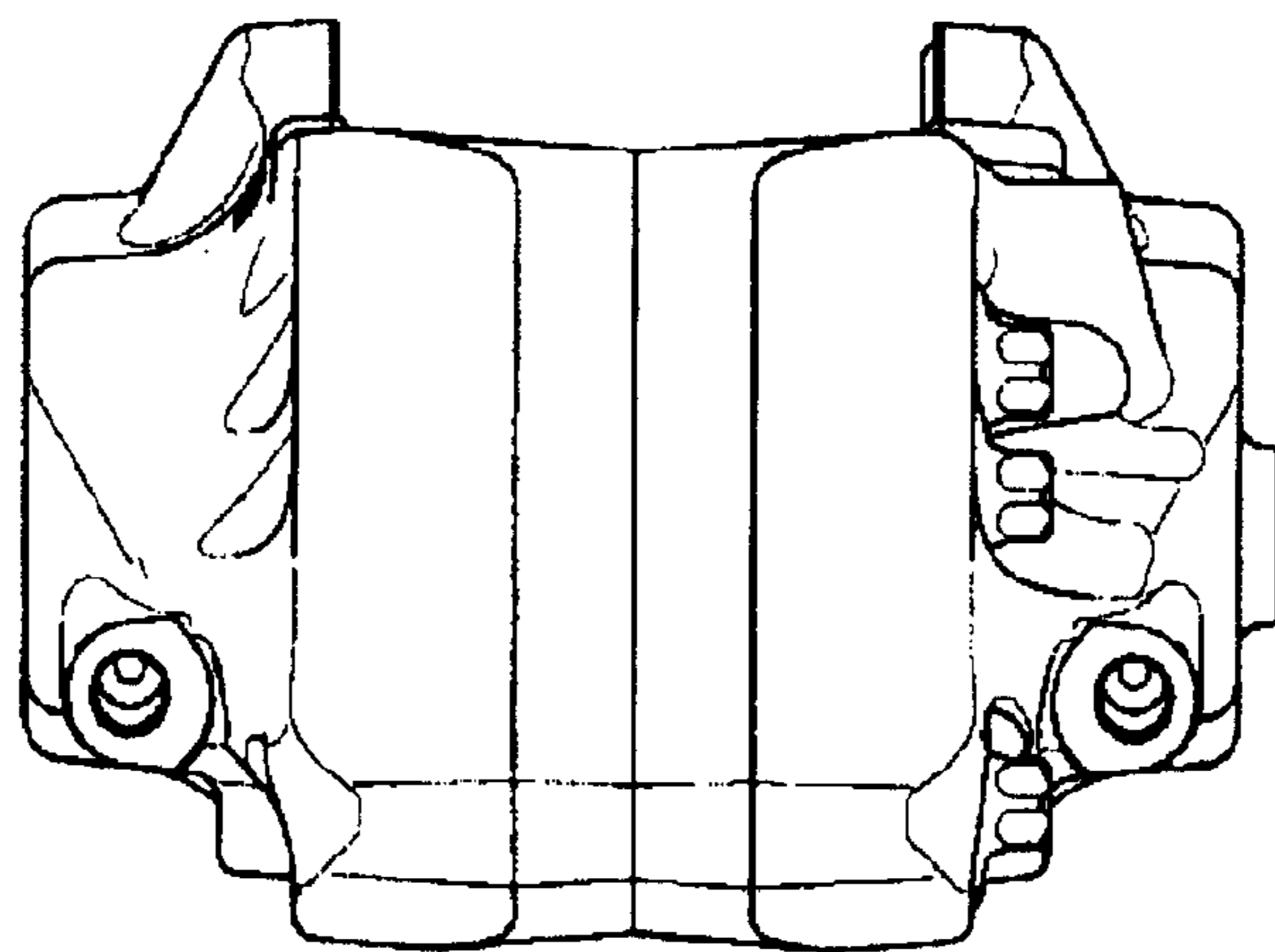


Fig. 3

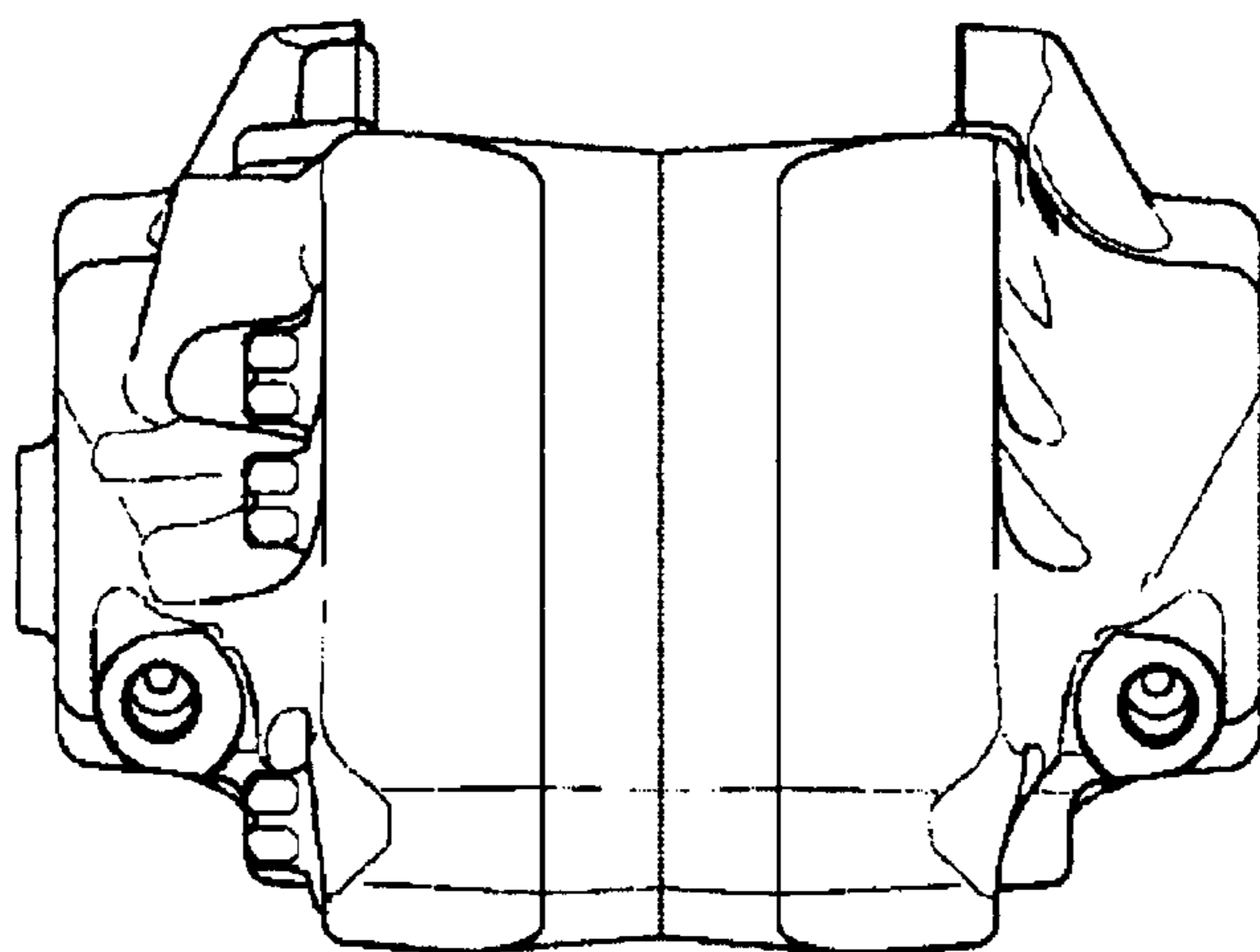


Fig. 4

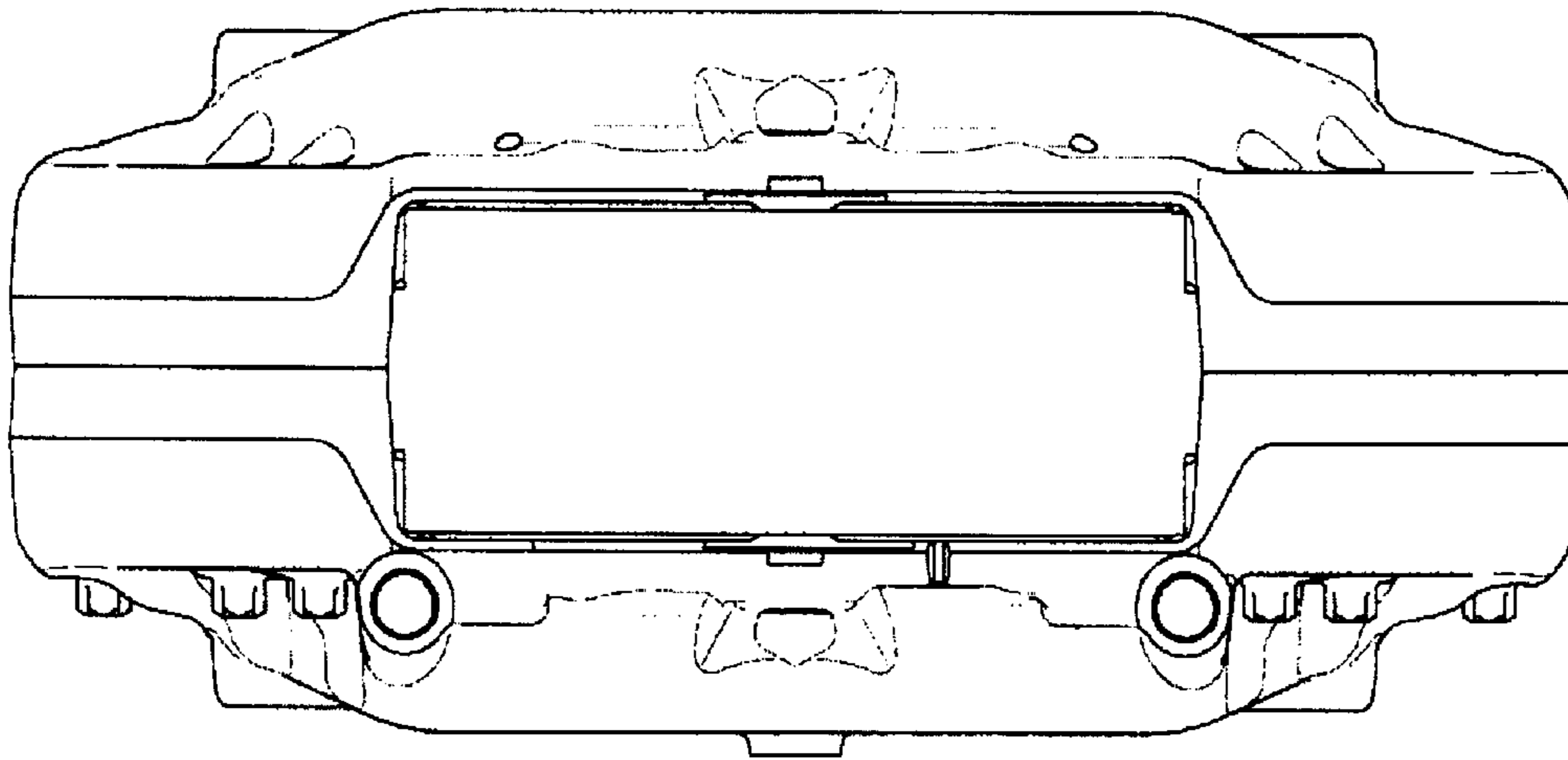


Fig. 5

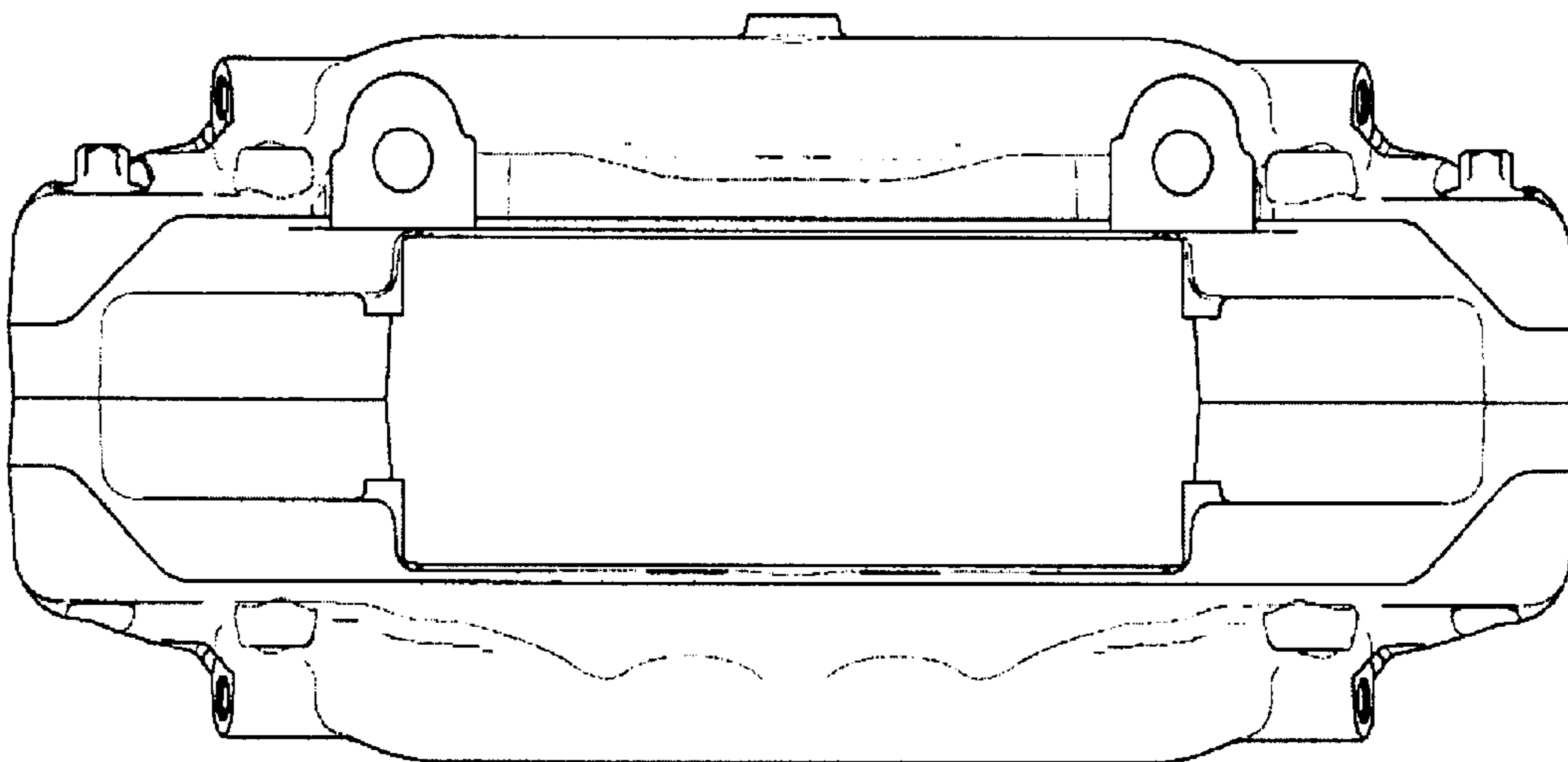


Fig. 6

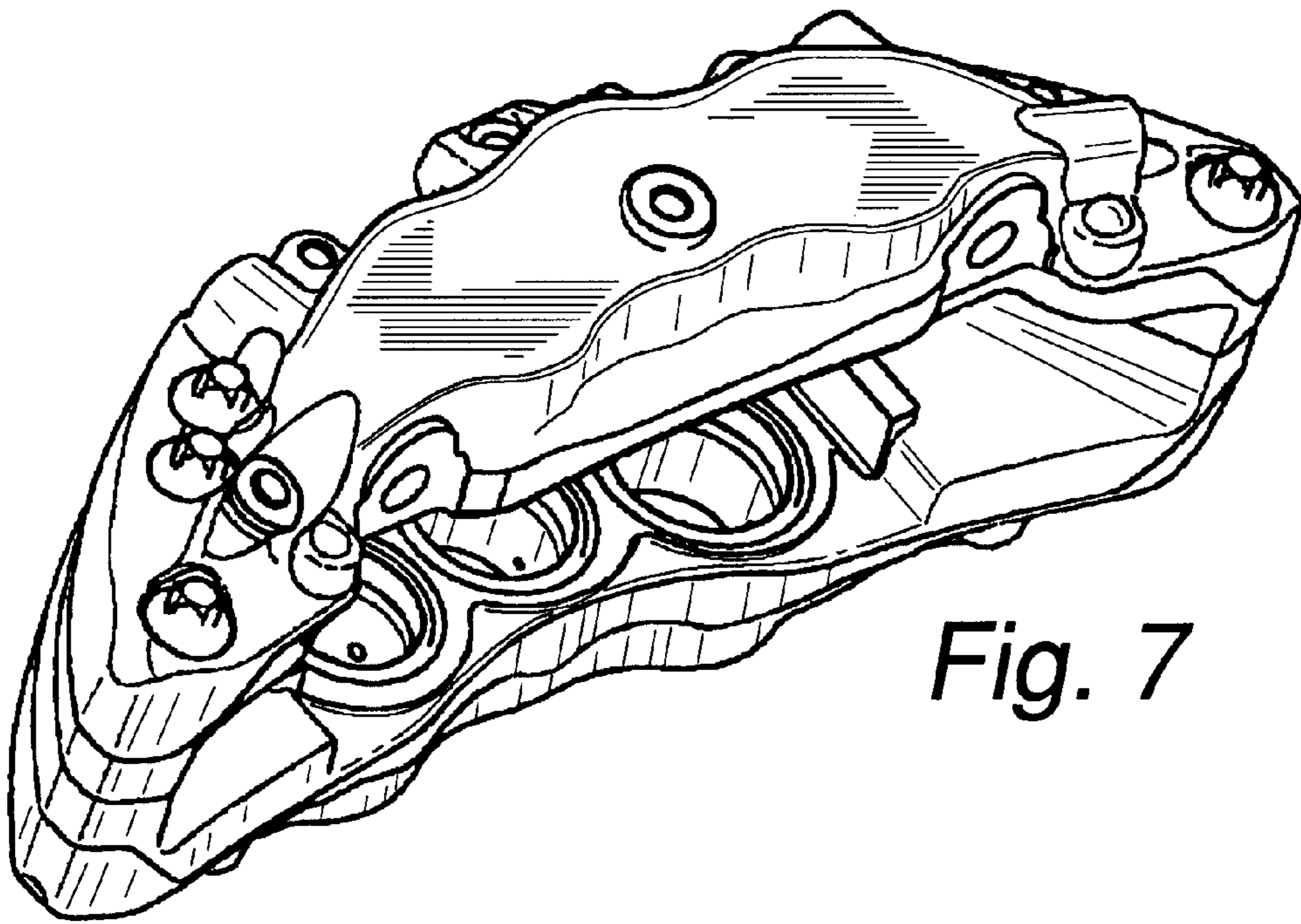


Fig. 7

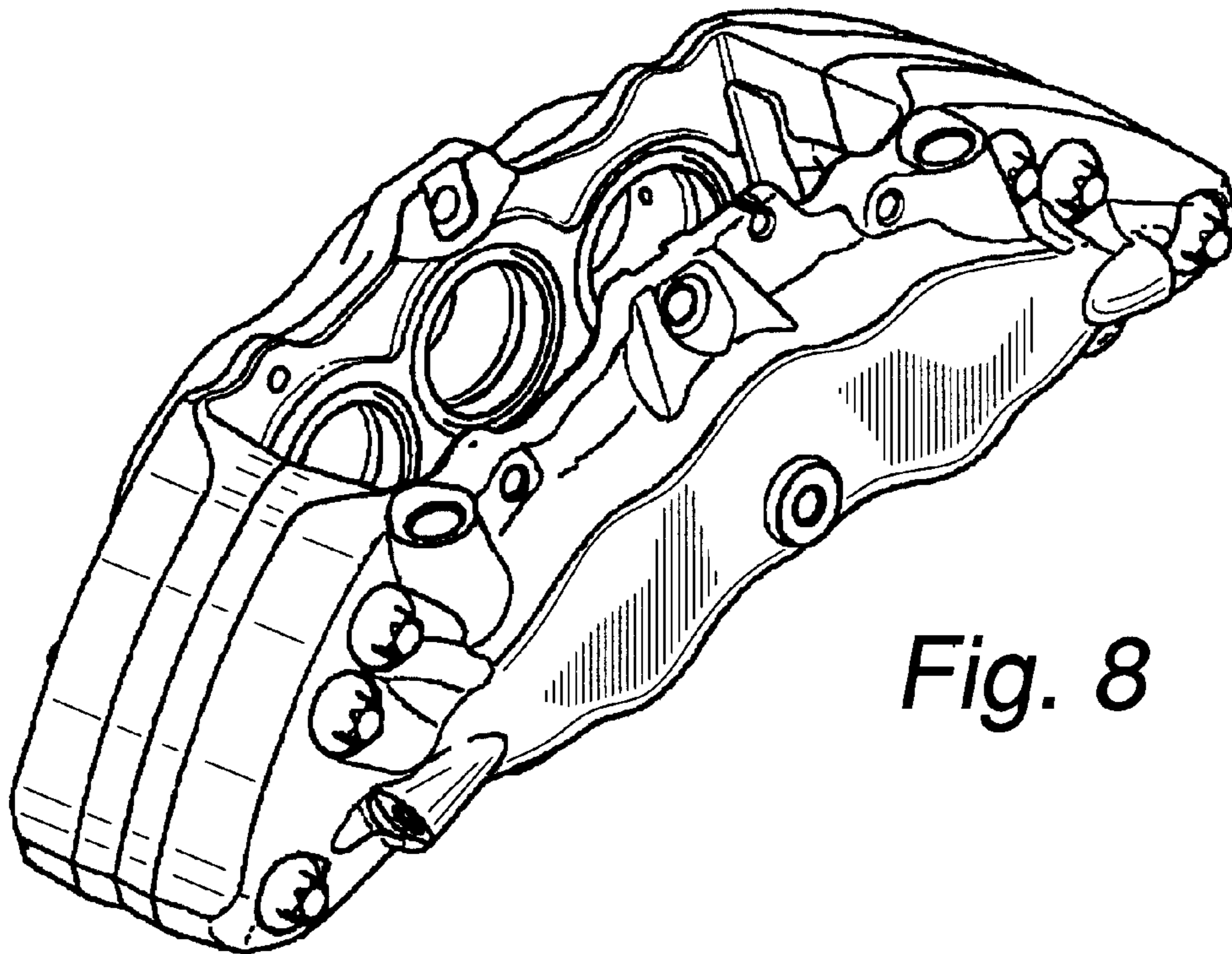


Fig. 8