



US00D523792S

(12) **United States Design Patent**  
**Saridakis et al.**

(10) **Patent No.:** **US D523,792 S**  
(45) **Date of Patent:** **\*\* Jun. 27, 2006**

(54) **AUTOMOTIVE HOOD**

(75) Inventors: **George Saridakis**, Ann Arbor, MI (US); **David Woodhouse**, Newport Coast, CA (US)

(73) Assignee: **Ford Global Technologies, LLC**, Dearborn, MI (US)

(\*\*) Term: **14 Years**

(21) Appl. No.: **29/228,599**

(22) Filed: **Apr. 26, 2005**

(51) **LOC (8) Cl.** ..... **12-16**

(52) **U.S. Cl.** ..... **D12/173**

(58) **Field of Classification Search** ..... D12/90-92, D12/173, 196, 86; 180/69.21, 69.2, 69.22  
See application file for complete search history.

(56) **References Cited**

U.S. PATENT DOCUMENTS

D428,369 S	*	7/2000	Sacco et al.	.....	D12/173
D491,850 S	*	6/2004	Velazco	.....	D12/173
D497,854 S	*	11/2004	Chiang	.....	D12/173
D498,445 S	*	11/2004	Chiang	.....	D12/173

OTHER PUBLICATIONS

www.fordvehicles.com, Ford GT: Galleries—Photo Gallery, 40 pages, 2003, Ford Motor Company.

\* cited by examiner

*Primary Examiner*—Melody N. Brown

(74) *Attorney, Agent, or Firm*—Frank A. MacKenzie

(57) **CLAIM**

The ornamental design for an automotive hood, as shown and described.

**DESCRIPTION**

FIG. 1 is a front end/right side perspective view of a first embodiment automotive hood in accordance with the present invention, wherein a front end/left side perspective view of the automotive hood is a mirror image thereof;

FIG. 2 is a top/right side perspective view of the automotive hood of FIG. 1;

FIG. 3 is a front end perspective view of the automotive hood of FIG. 1;

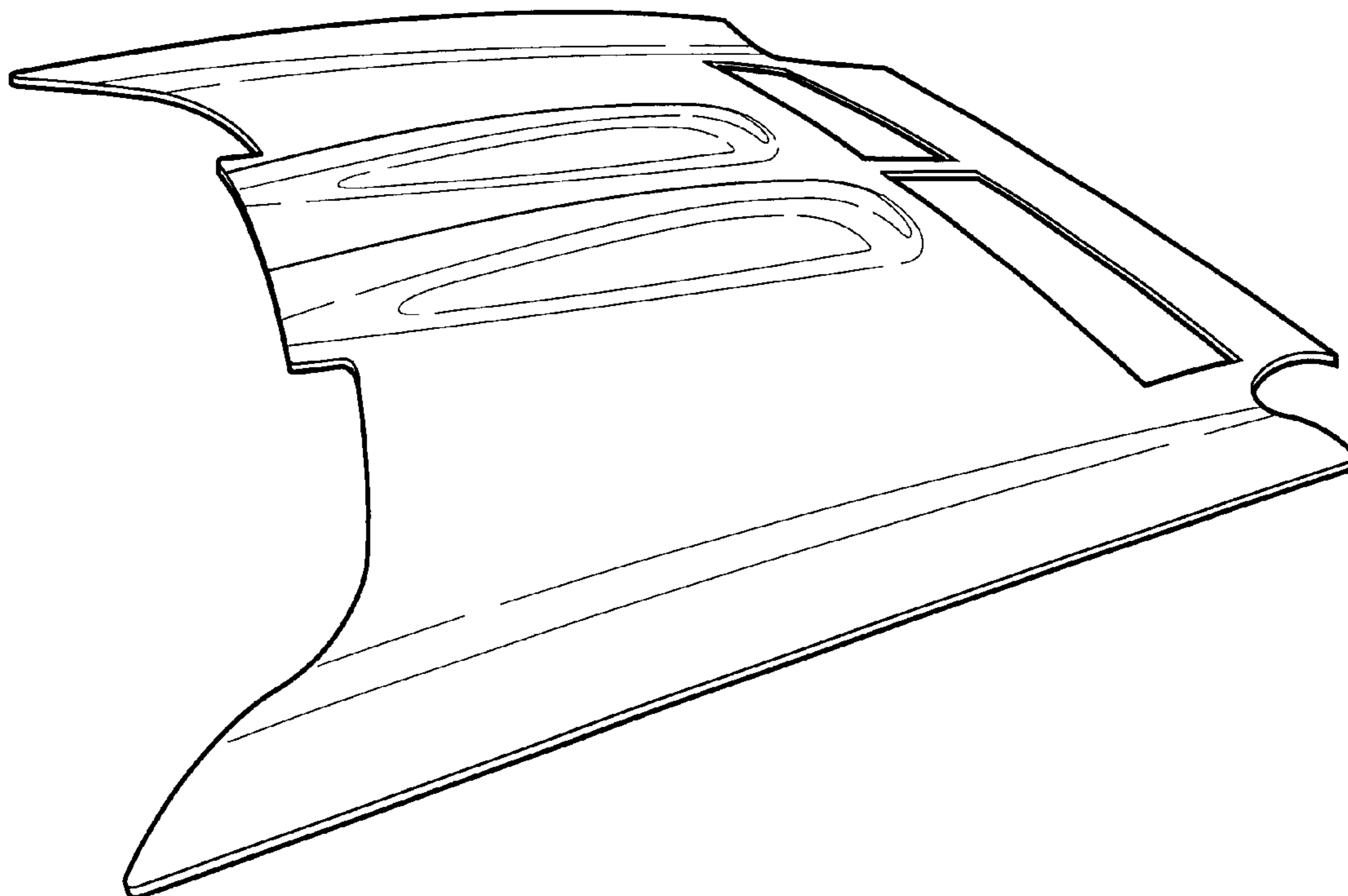
FIG. 4 is a front end/right side perspective view of a second embodiment automotive hood in accordance with the present invention, wherein a front end/left side perspective view is a mirror image thereof;

FIG. 5 is a top/right side perspective view of the automotive hood of FIG. 4; and,

FIG. 6 is a front end perspective view of the automotive hood of FIG. 4.

The broken lines are for illustrative purposes only and form no part of the claimed design.

**1 Claim, 4 Drawing Sheets**



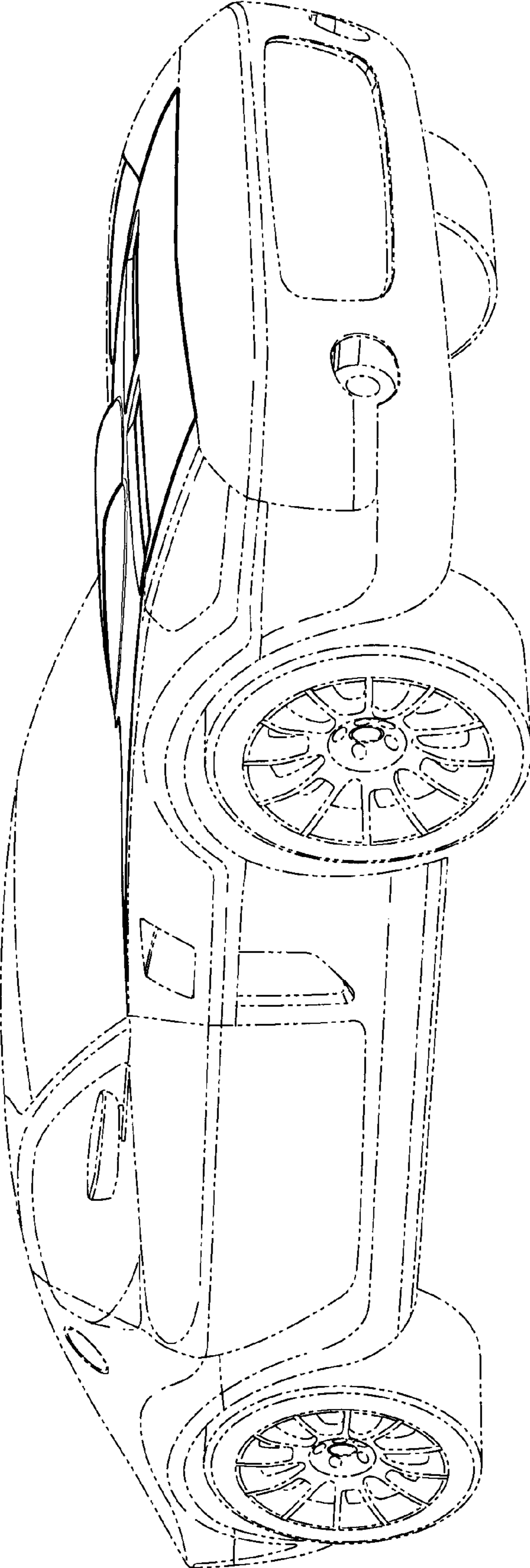
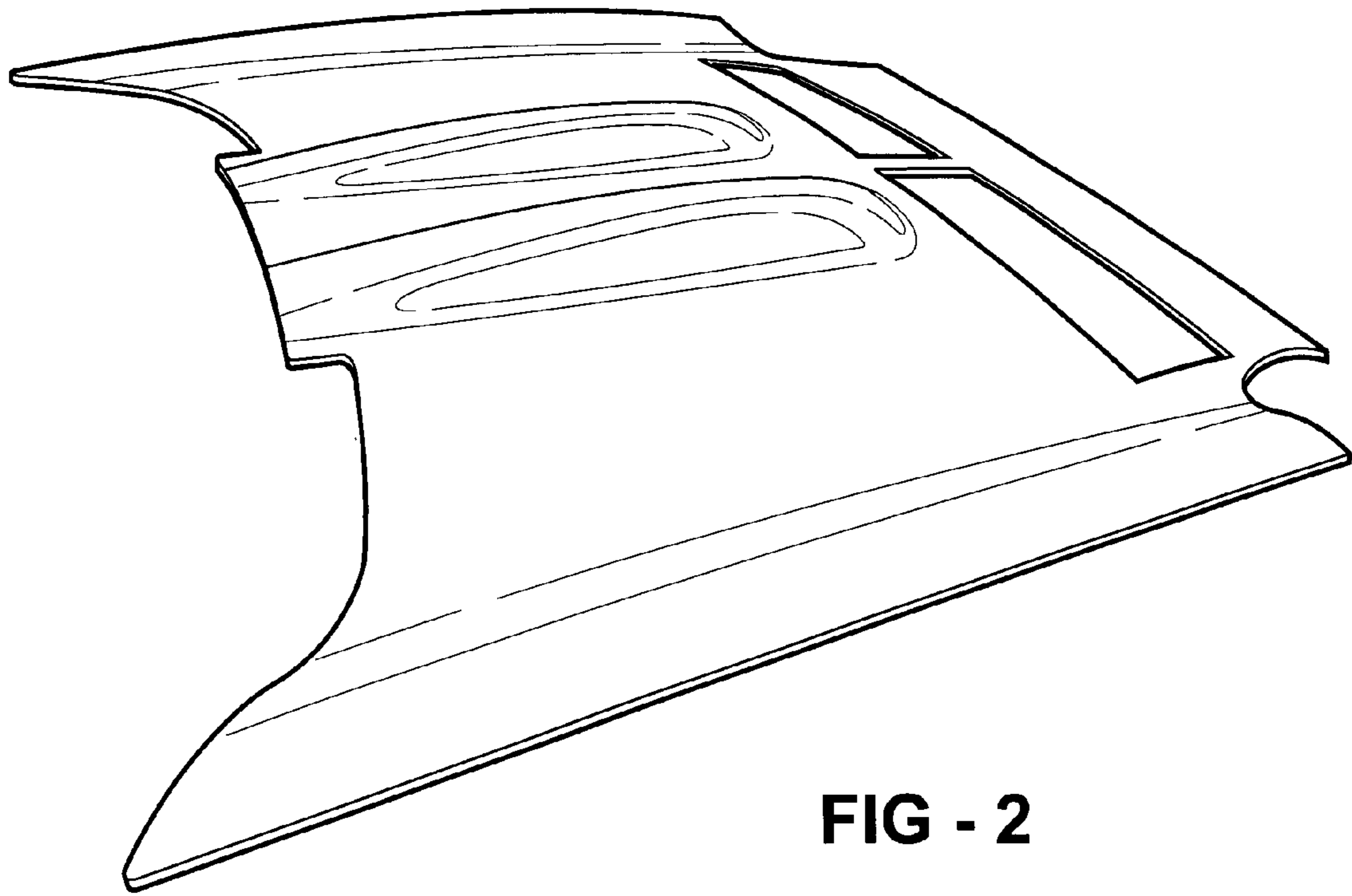
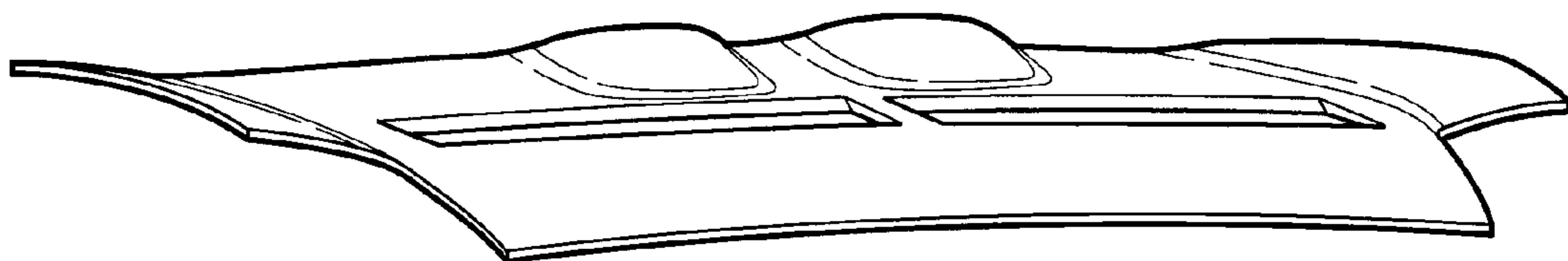


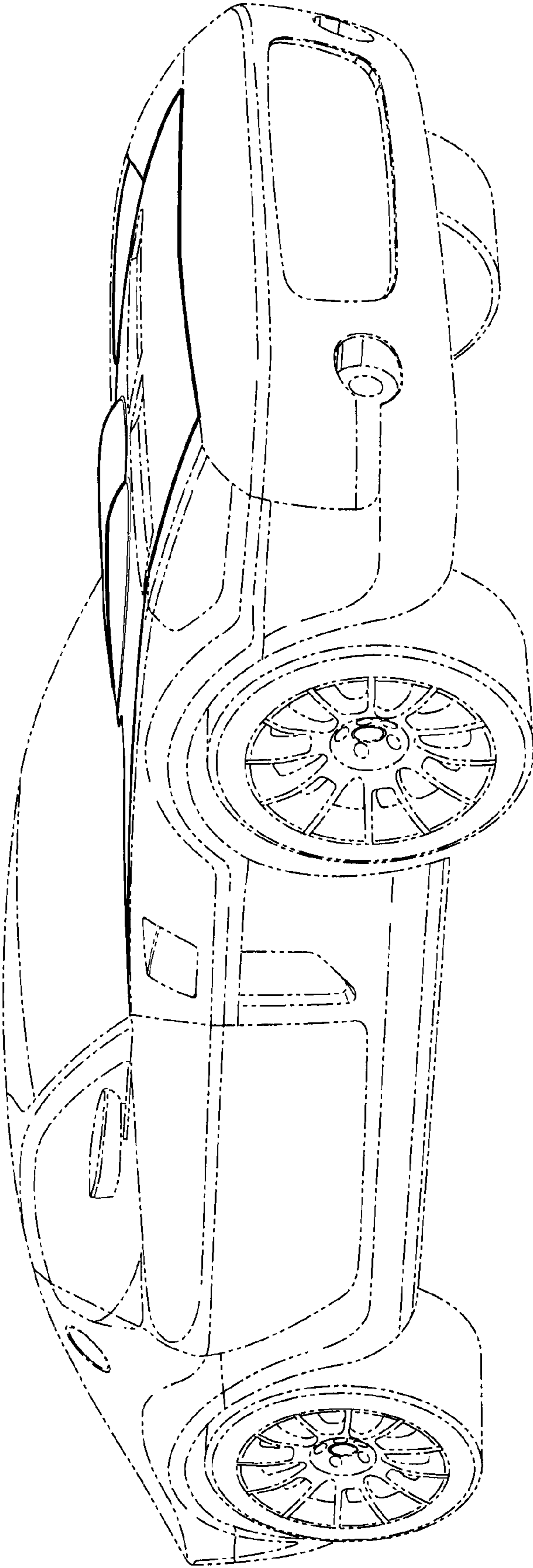
FIG - 1



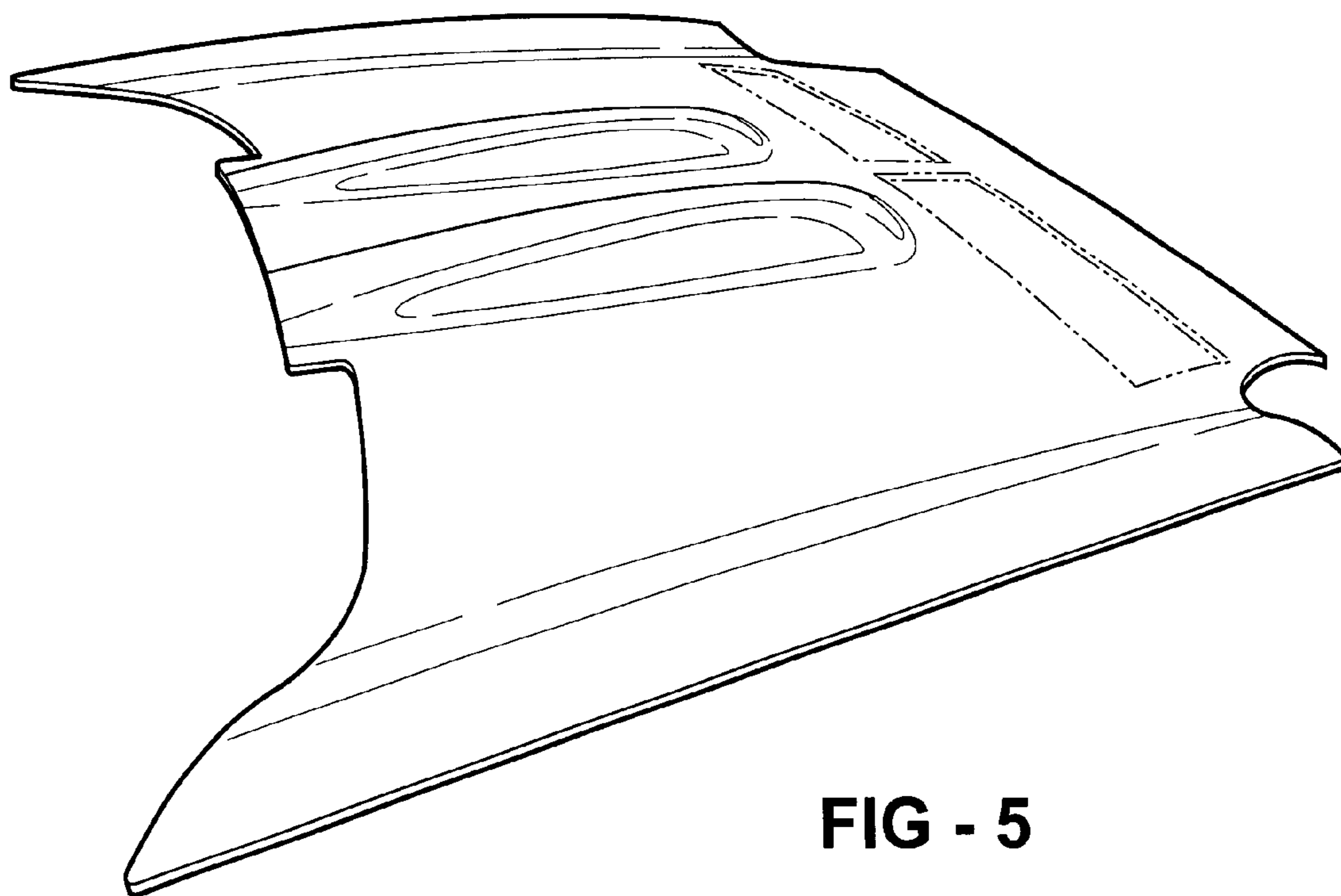
**FIG - 2**



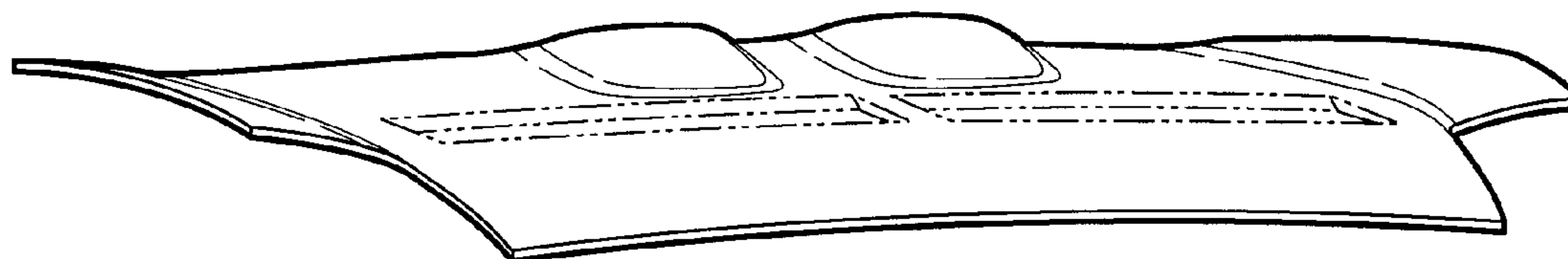
**FIG - 3**



**FIG - 4**



**FIG - 5**



**FIG - 6**