



US00D523790S

(12) **United States Design Patent**
Polka

(10) **Patent No.:** **US D523,790 S**
(45) **Date of Patent:** **** Jun. 27, 2006**

(54) **HOOD TOP GRILLE FOR A VEHICLE**

(76) Inventor: **John G. Polka**, 1335 Margate,
Libertyville, IL (US) 60048

(**) Term: **14 Years**

(21) Appl. No.: **29/211,741**

(22) Filed: **Aug. 20, 2004**

(51) **LOC (8) Cl.** **12-16**

(52) **U.S. Cl.** **D12/163**

(58) **Field of Classification Search** D12/196,
D12/190, 90-92, 86, 163; 296/180.1, 198,
296/50, 39.1, 39.2; 180/69.24, 68.6
See application file for complete search history.

(56) **References Cited**

U.S. PATENT DOCUMENTS

D487,414 S	*	3/2004	Wakao et al.	D12/91
D490,020 S	*	5/2004	Kim	D12/91
D511,728 S	*	11/2005	Rex	D12/190
D512,947 S	*	12/2005	Buerlein	D12/196

* cited by examiner

Primary Examiner—Melody N. Brown

(74) *Attorney, Agent, or Firm*—Robert L. Marsh

(57) **CLAIM**

The ornamental design for a hood top grille for a vehicle, as shown and described.

DESCRIPTION

FIG. 1 is a perspective view of a hood top grille for a vehicle showing my new design;

FIG. 2 is a right side elevational view of the grille shown in FIG. 2, the left side view being a mirror image of the right side view;

FIG. 3 is a top view thereof;

FIG. 4 is a front view thereof;

FIG. 5 is a rear view thereof;

FIG. 6 is a bottom view thereof;

FIG. 7 is a perspective view thereof, the vehicle shown in broken lines are for illustrative purposes only and form no part of the claimed design;

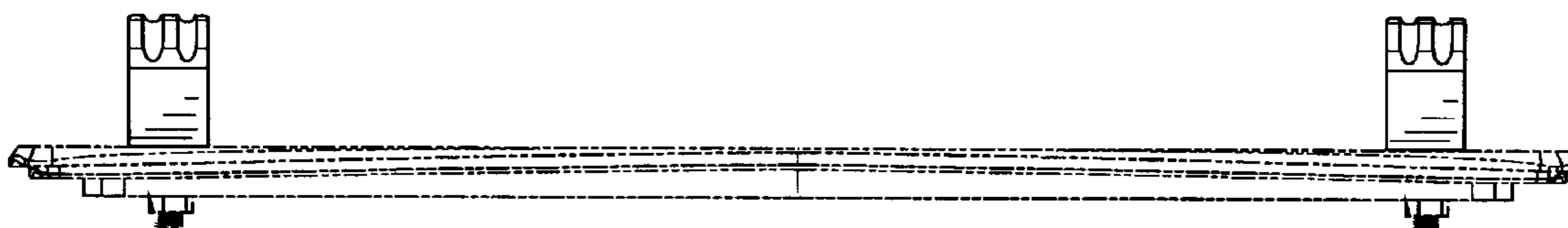
FIG. 8 is a perspective view of a hood top vehicle showing a second embodiment of my new design.

FIG. 9 is a side view of the grille and handles shown in FIG. 8;

FIG. 10 is a top view of the grille and handles as shown in FIG. 8; and,

FIG. 11 is a front view of the grille and handles shown in FIG. 8, where the rear view of the handles is identical to the front view.

1 Claim, 6 Drawing Sheets



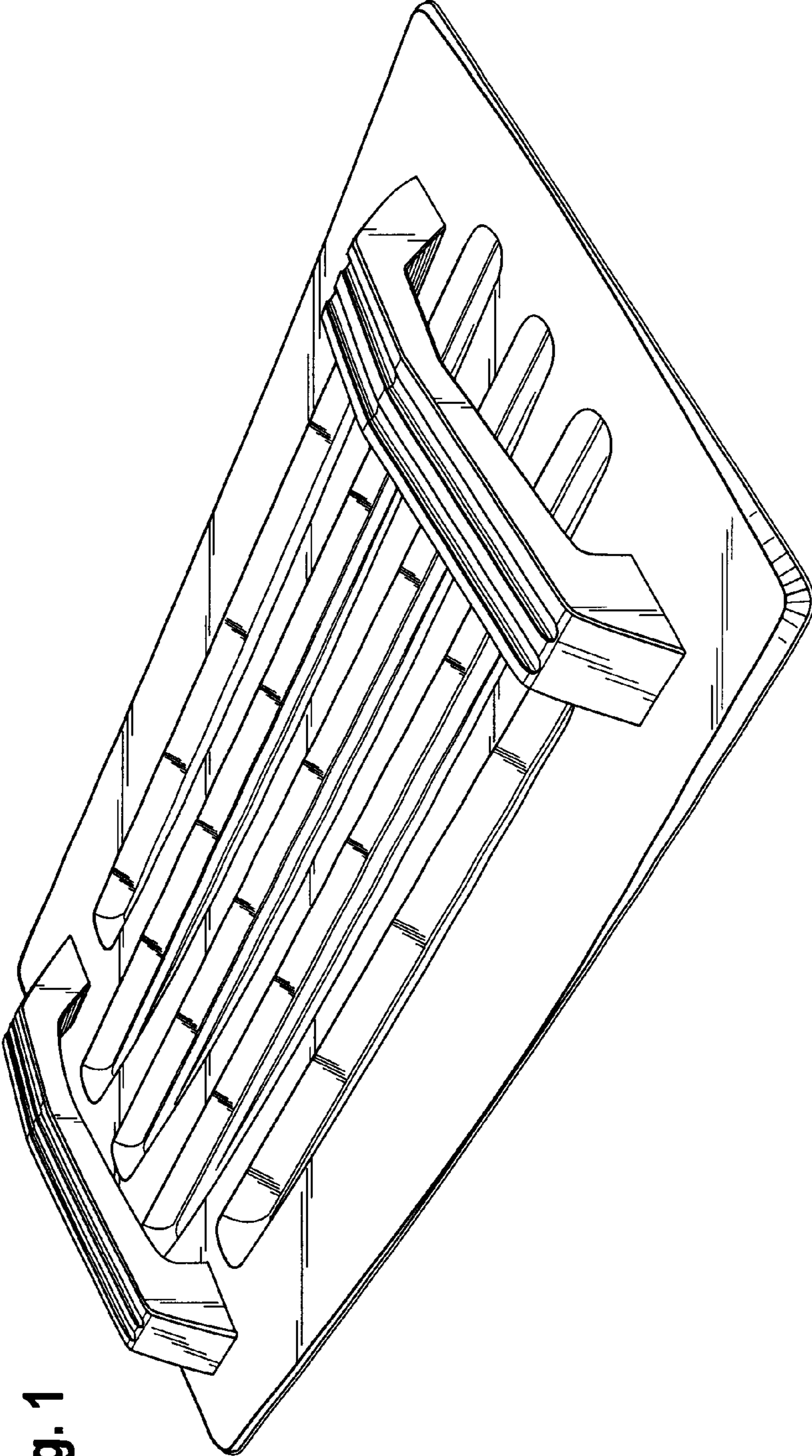


Fig. 1

Fig. 2

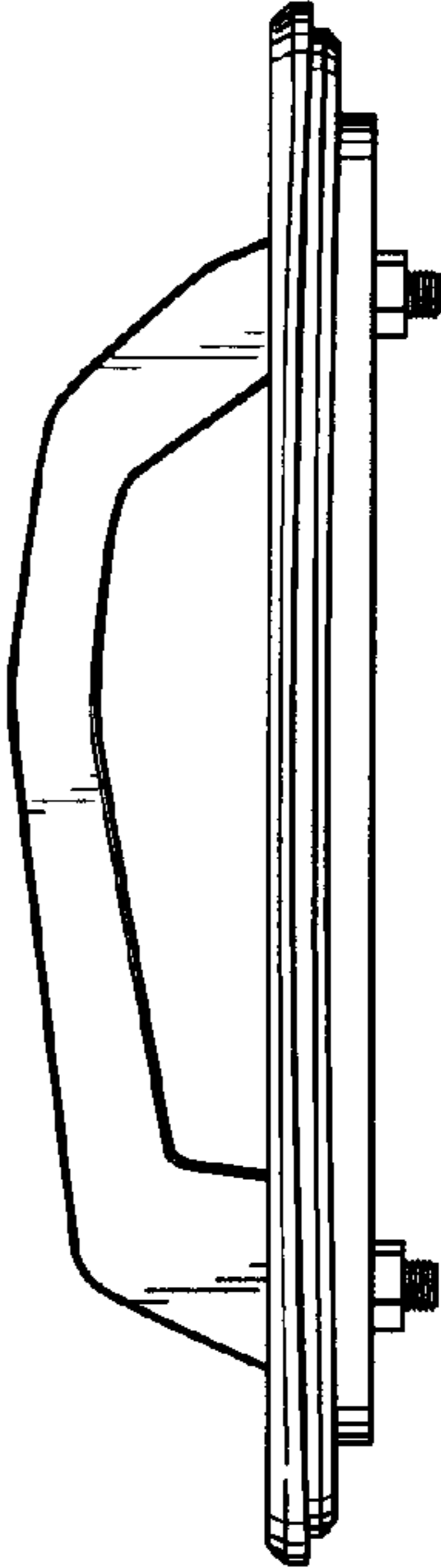


Fig. 3

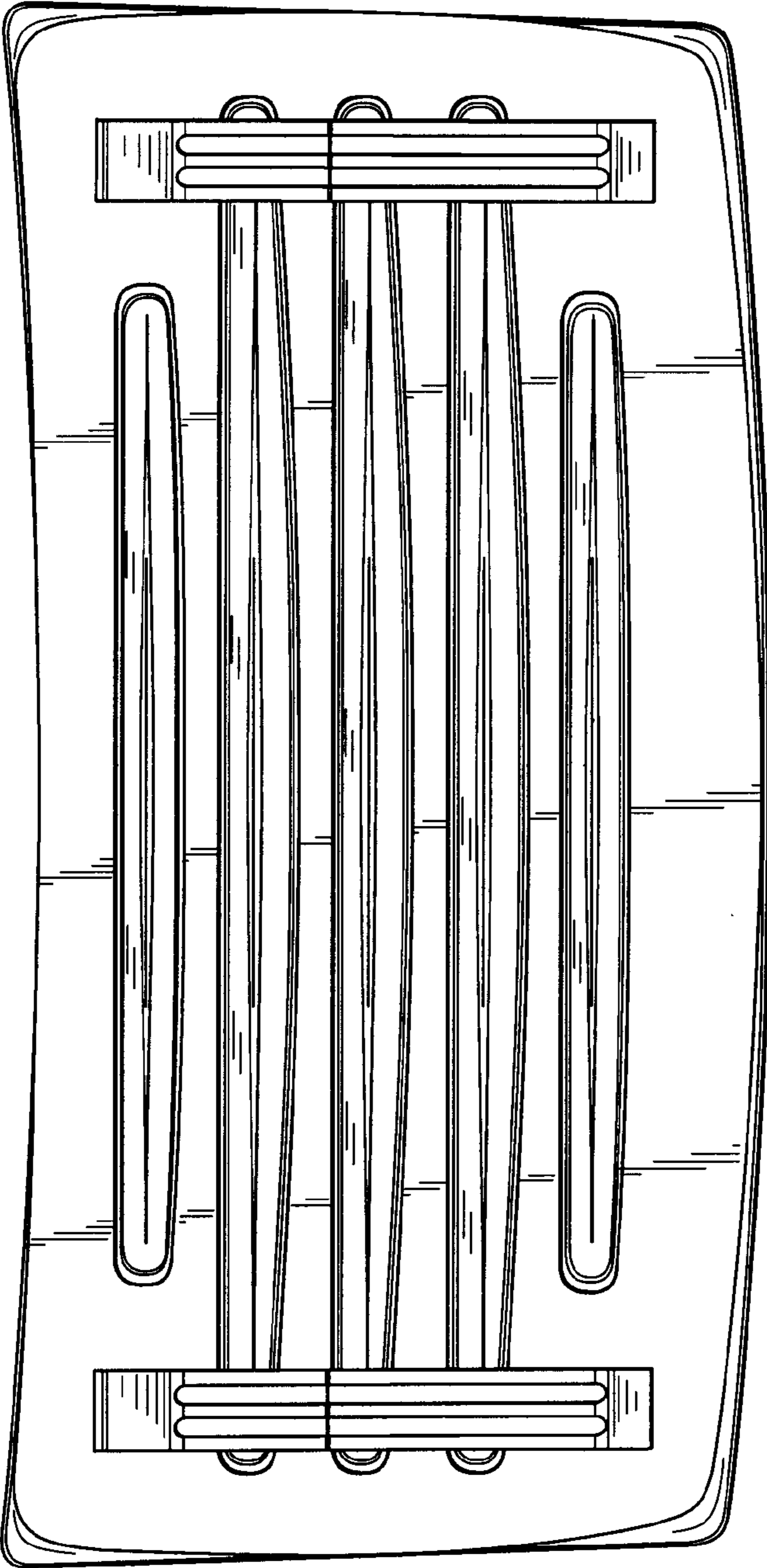


Fig. 4

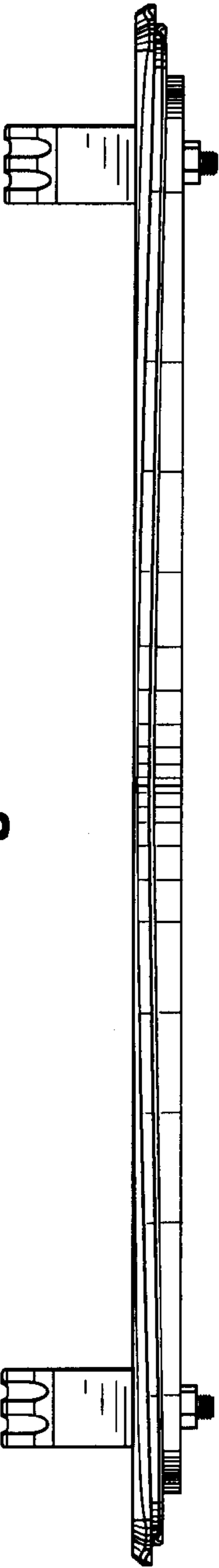


Fig. 5

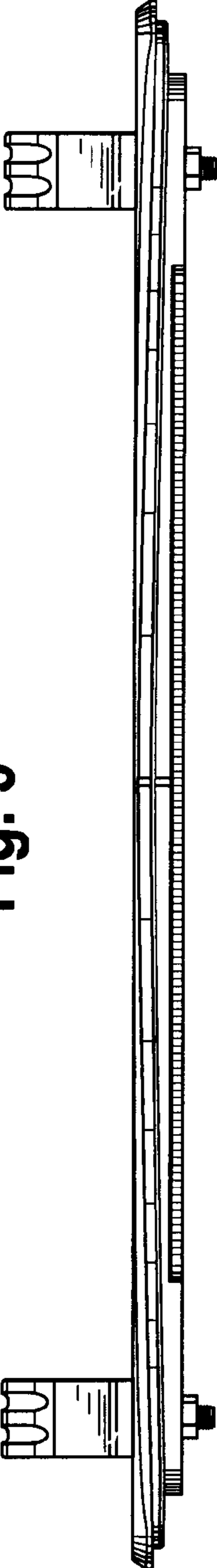


Fig. 6

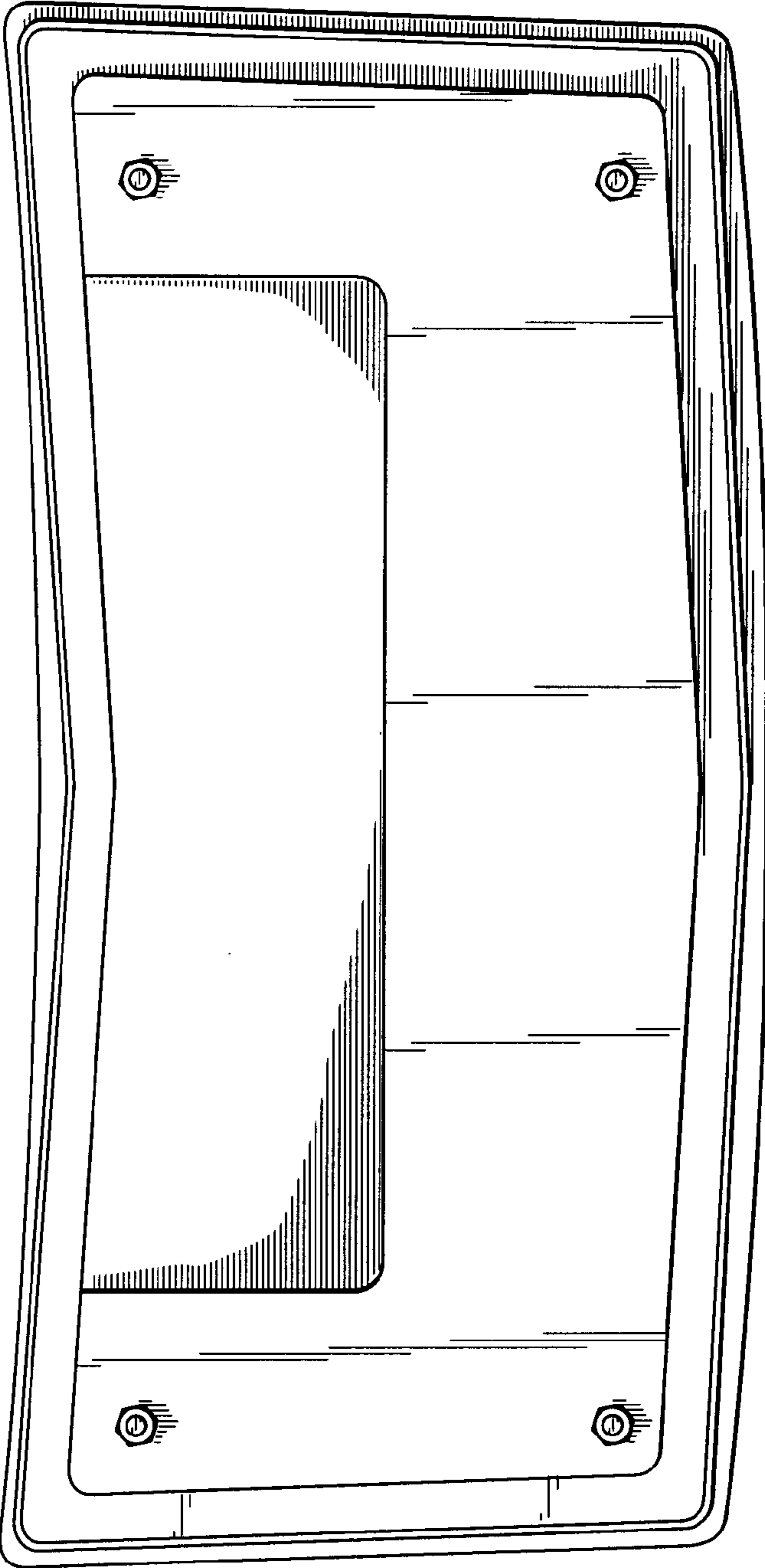
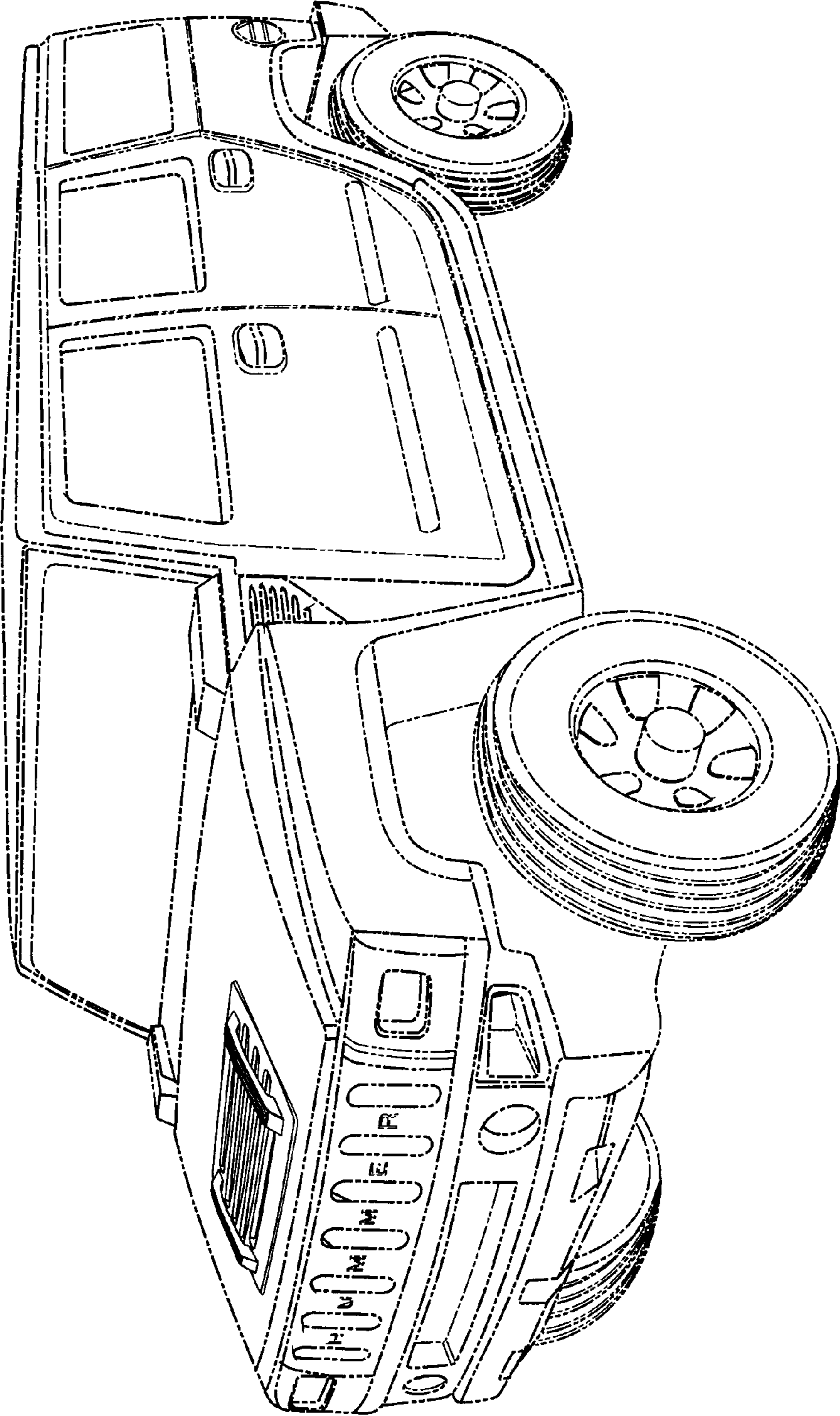


Fig. 7



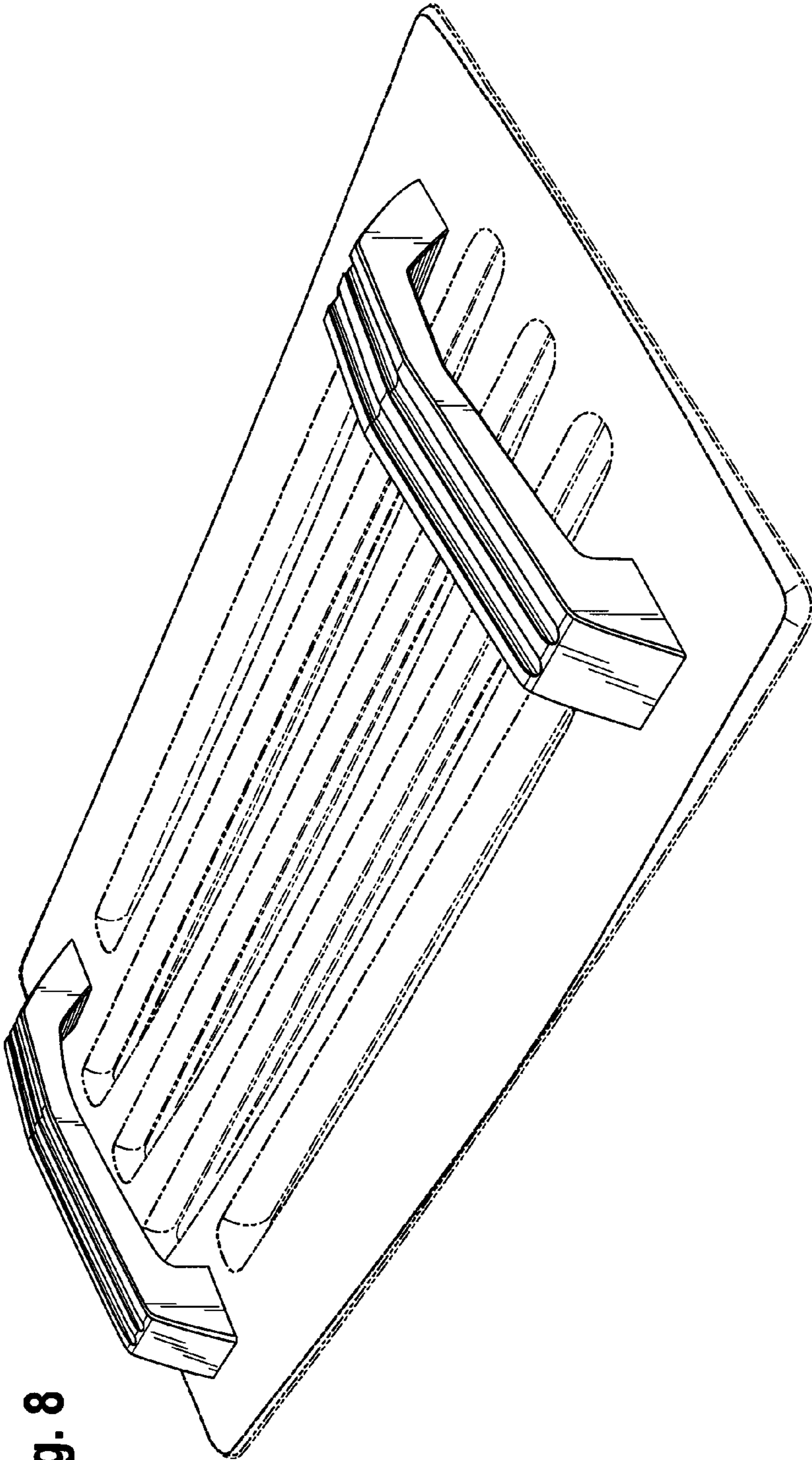


Fig. 8

Fig. 9

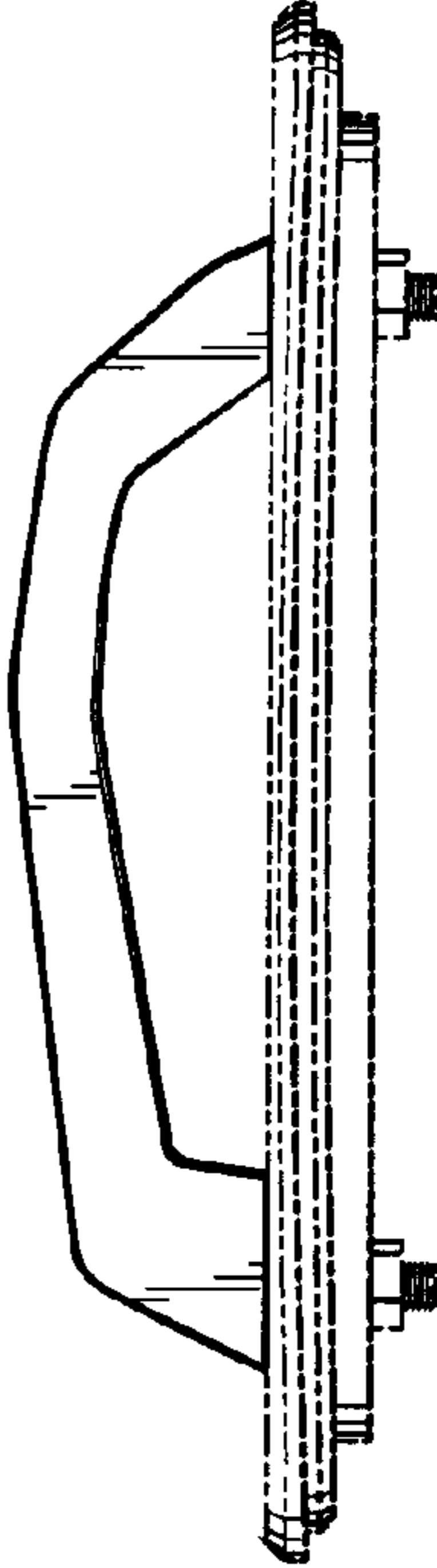


Fig. 10

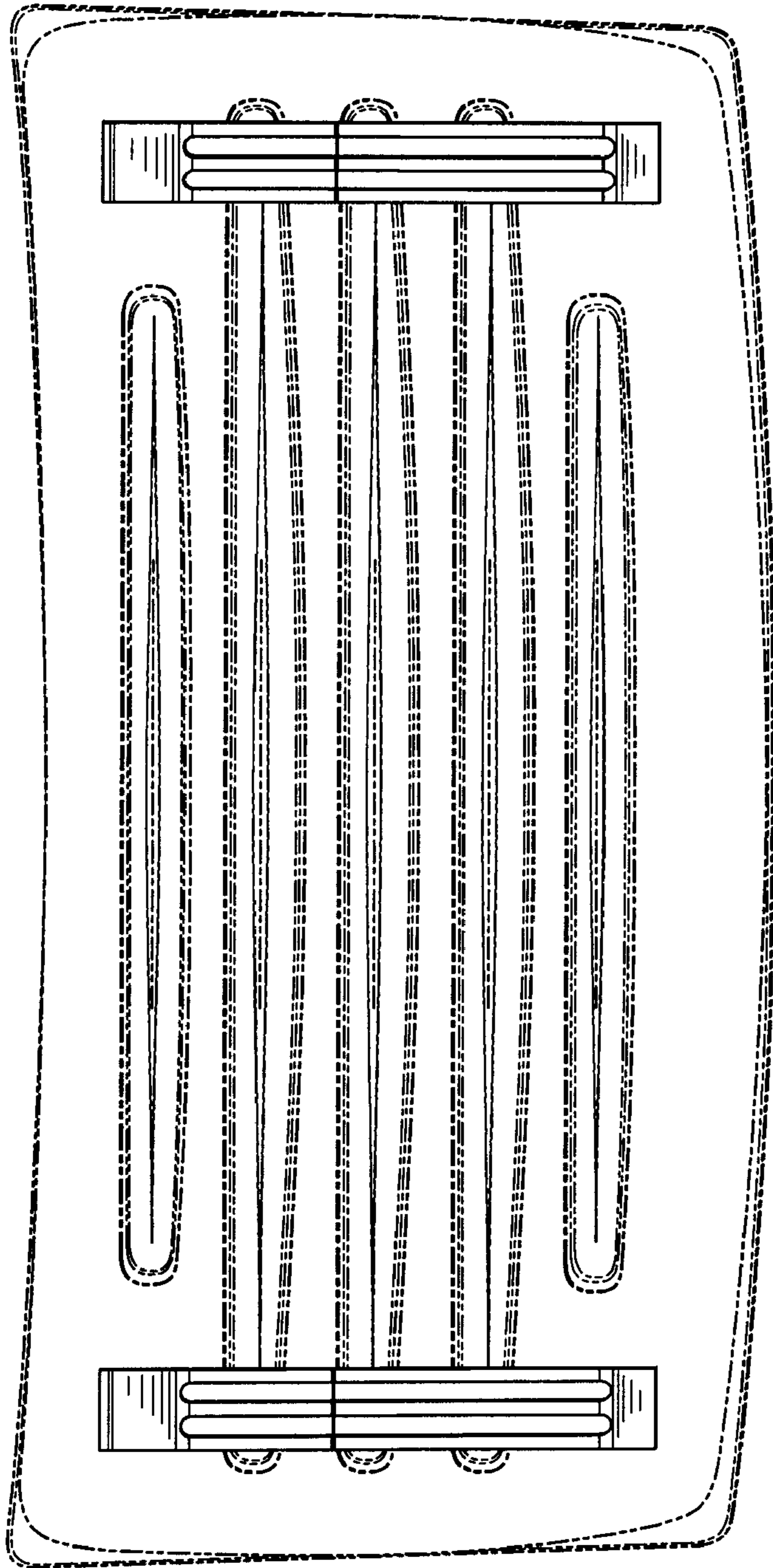


Fig. 11

