

US00D523789S

(12) **United States Design Patent**
Caselberry

(10) **Patent No.:** **US D523,789 S**
(45) **Date of Patent:** **** Jun. 27, 2006**

(54) **REMOVABLE STROLLER EXTENSION HANDLE**

D499,990 S * 12/2004 Refsum et al. D12/133
D506,419 S * 6/2005 Coster D12/133

(76) Inventor: **Kenneth Caselberry**, 115 Sawyer Ave.,
Lagrange, IL (US) 60525

* cited by examiner

(**) Term: **14 Years**

Primary Examiner—Marcus A. Jackson
(74) *Attorney, Agent, or Firm*—Donald R. Schoonover

(21) Appl. No.: **29/229,438**

(57) **CLAIM**

(22) Filed: **May 9, 2005**

I claim the ornamental design for a removable stroller extension handle, as shown and described.

(51) **LOC (8) Cl.** **12-12**

DESCRIPTION

(52) **U.S. Cl.** **D12/133**

(58) **Field of Classification Search** D12/128-133;
16/113.1, 130, 422, 426; 280/DIG. 5, DIG. 6
See application file for complete search history.

FIG. 1 is a perspective view of a removable stroller extension handle showing my new design; FIG. 2 is a bottom plan view thereof; FIG. 3 is a side elevational view thereof; FIG. 4 is a top plan view thereof; FIG. 5 is an elevational view of the opposing side thereof; FIG. 6 is an end elevational view thereof, the elevational view of the opposing end being a mirror image thereof; and, FIG. 7 is a reduced side elevational view showing the removable stroller extension handle in use; the phantom lines depict environmental structure for illustrative purposes only and form no part of the claimed design.

(56) **References Cited**

U.S. PATENT DOCUMENTS

3,404,427	A	10/1968	Mack	
5,039,139	A	8/1991	McElroy et al.	
5,593,460	A	1/1997	Lessard	
5,934,153	A	8/1999	Yang	
6,036,221	A	3/2000	Yang	
6,101,678	A	8/2000	Malloy et al.	
D454,418	S	* 3/2002	Vong et al.	D34/27

1 Claim, 2 Drawing Sheets

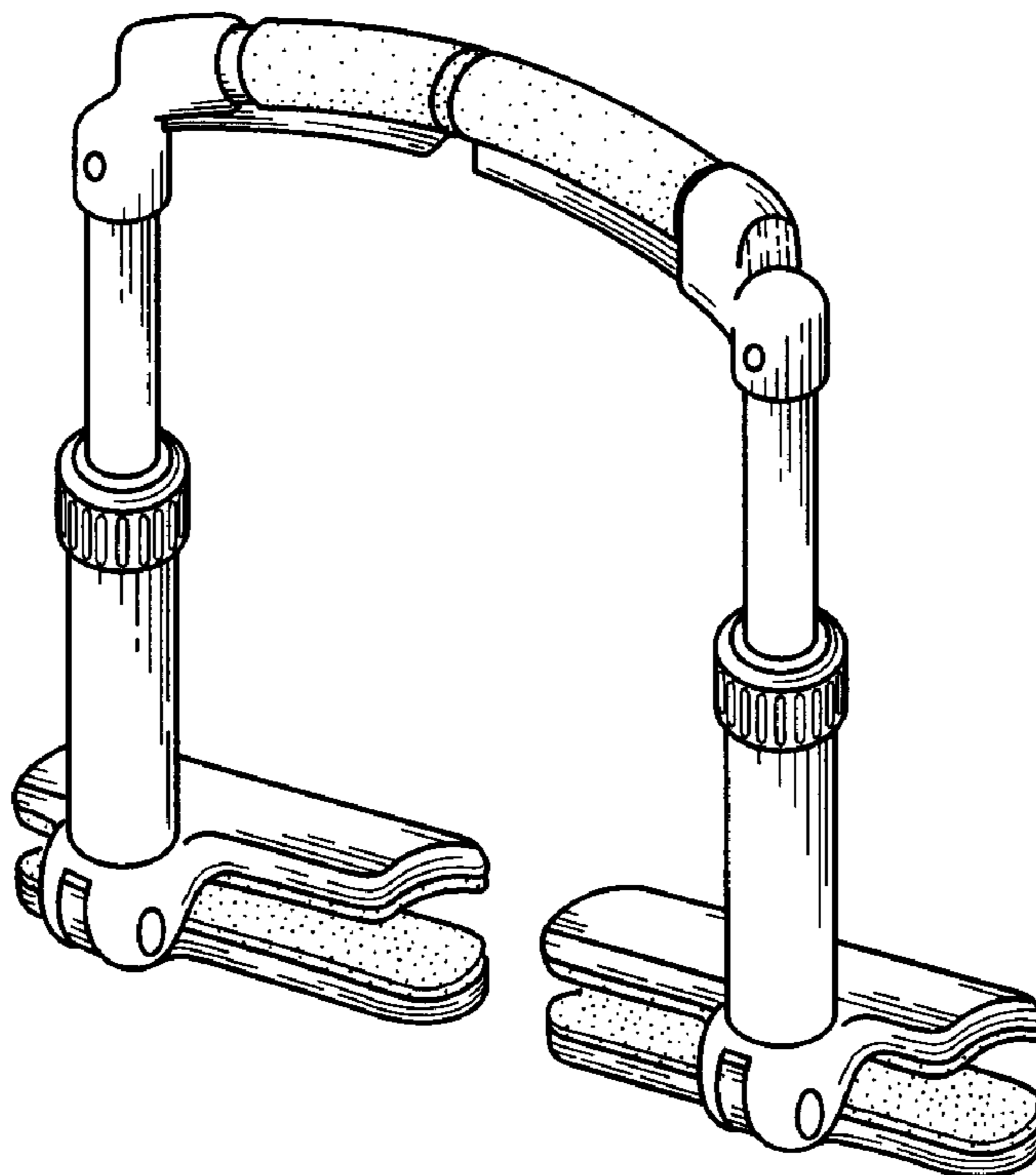


Fig. 1

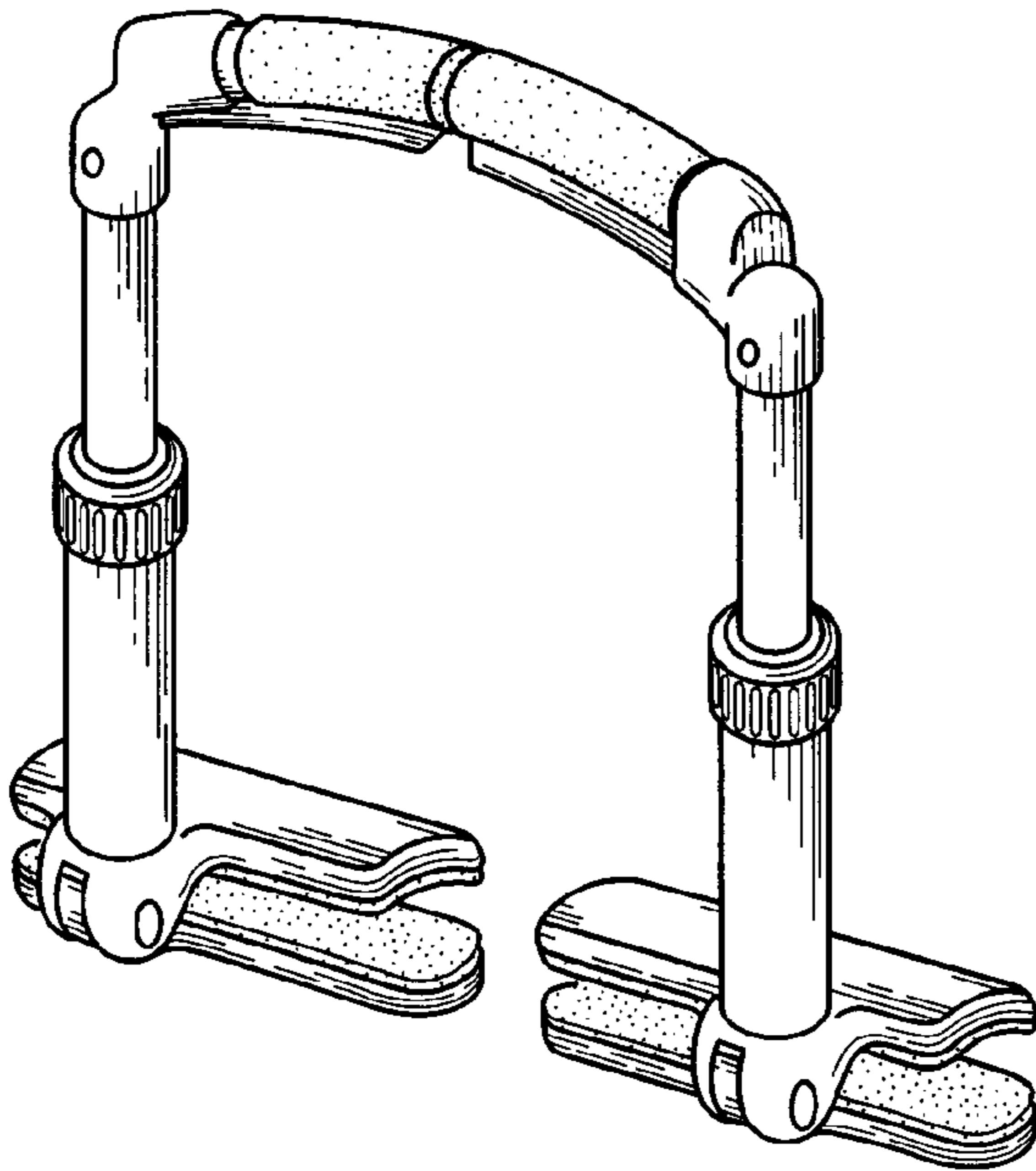


Fig. 2

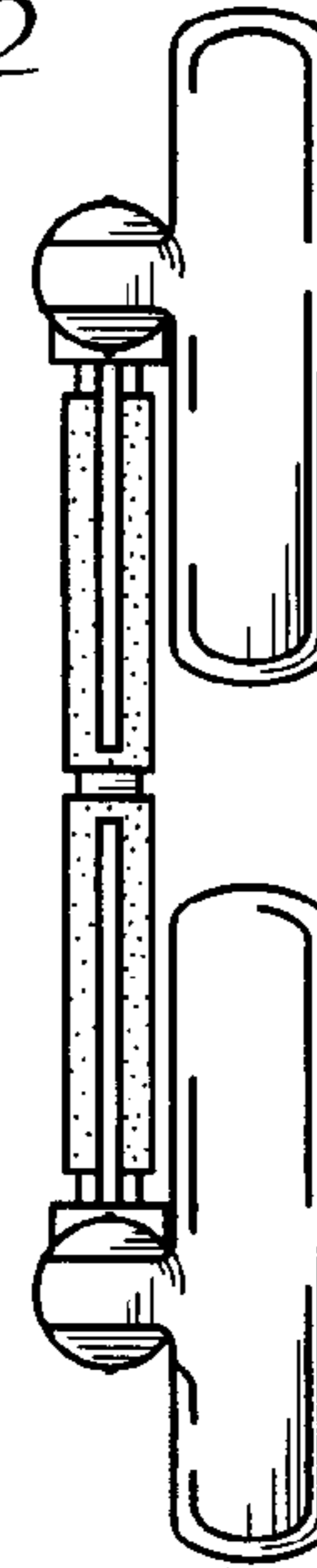


Fig. 3

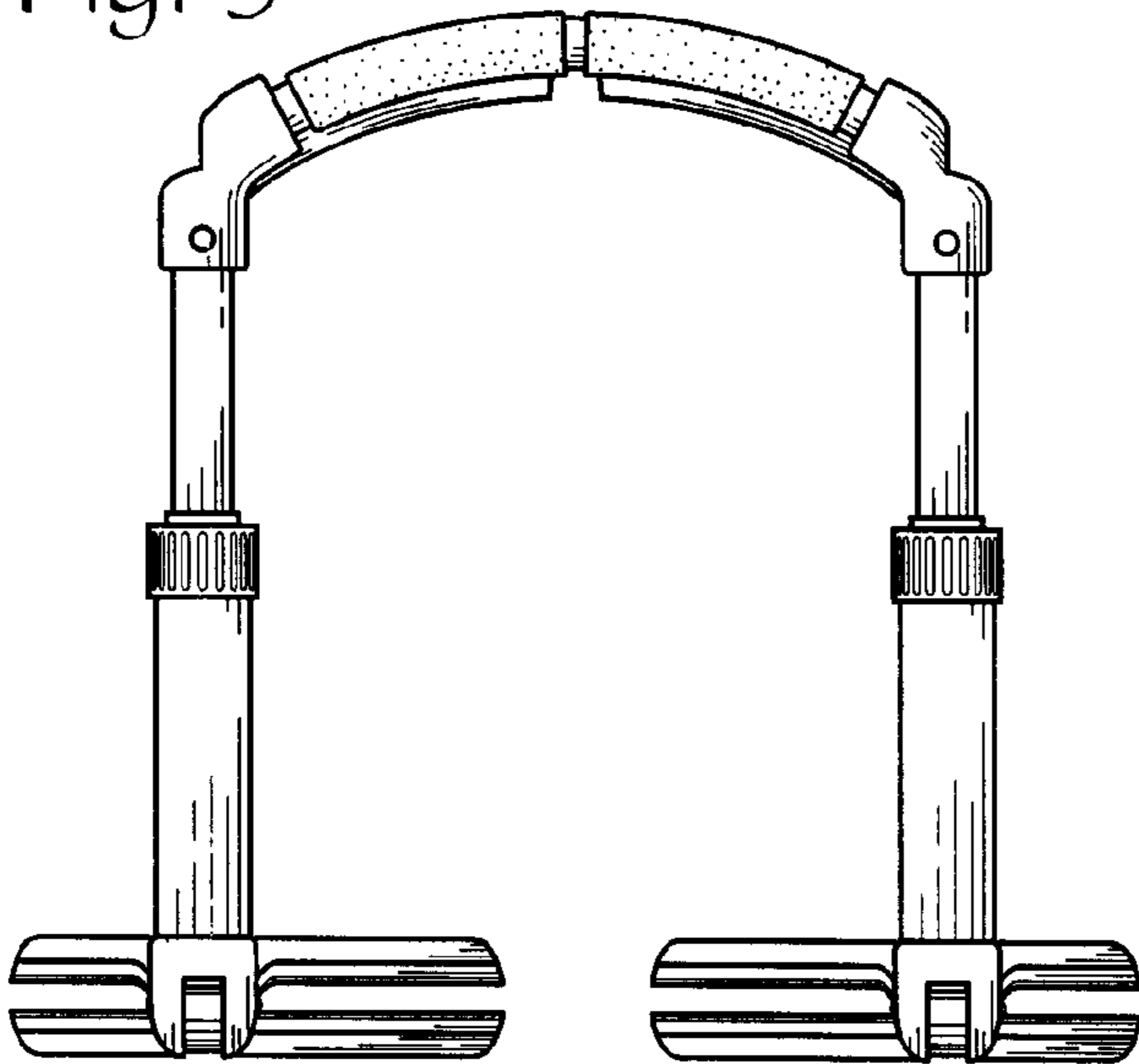


Fig. 4

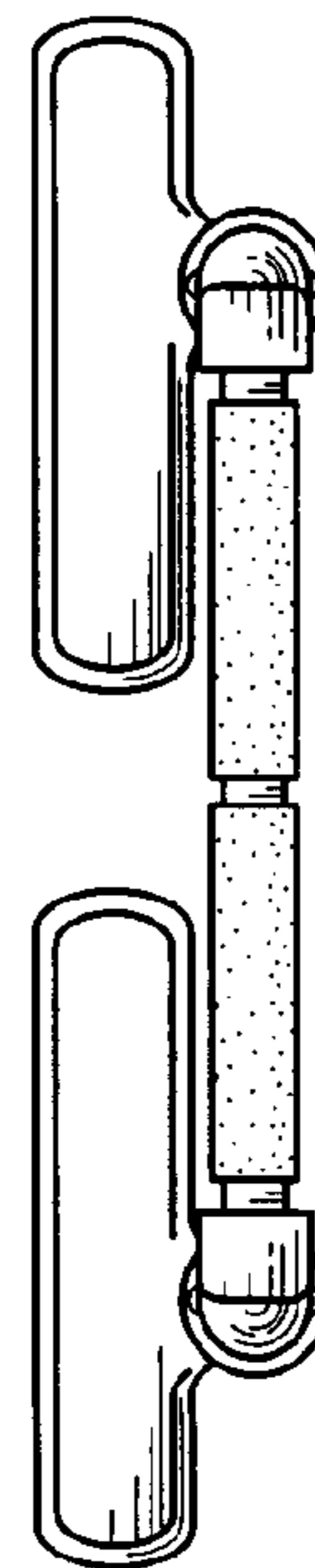


Fig. 5

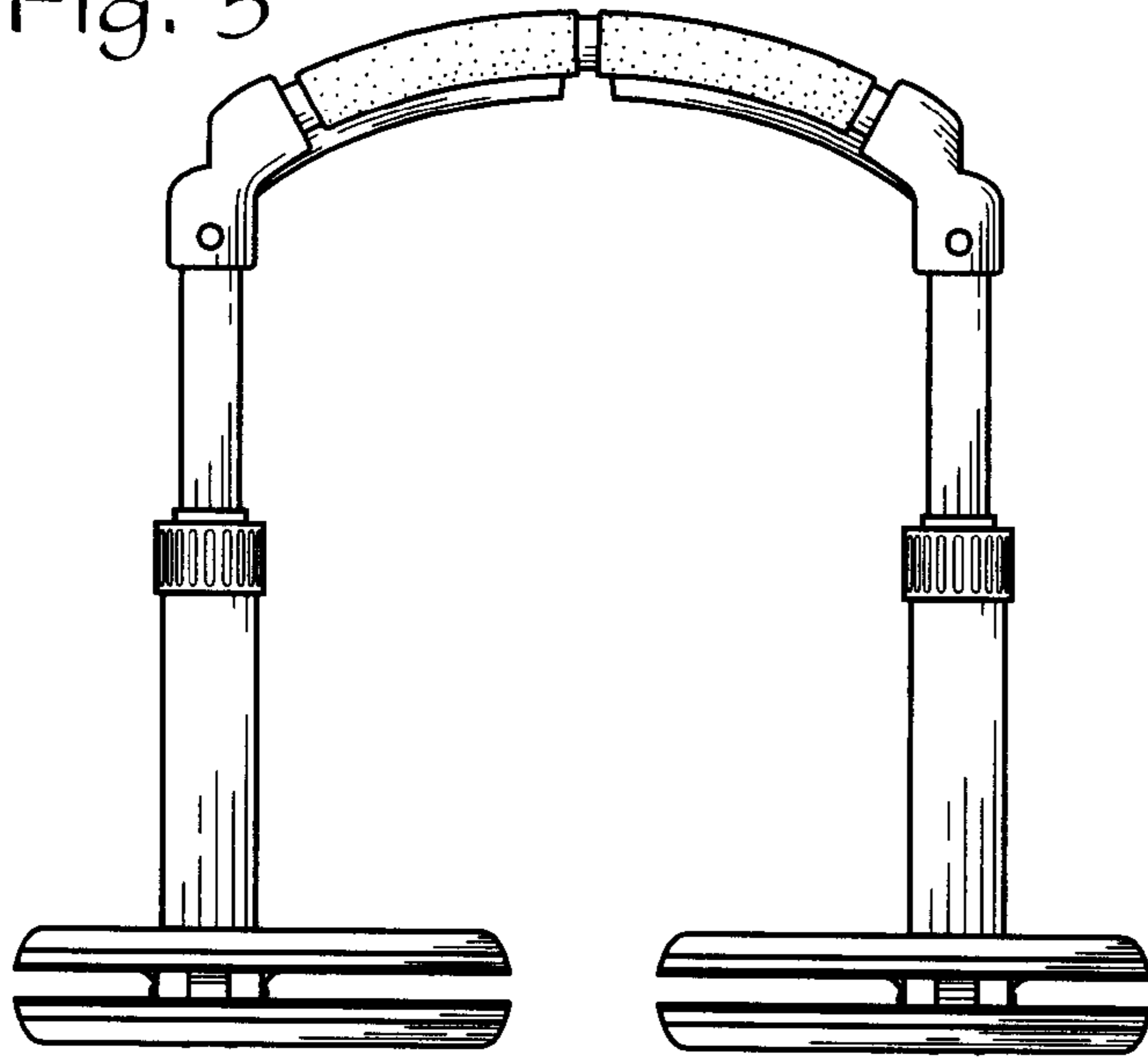


Fig. 6

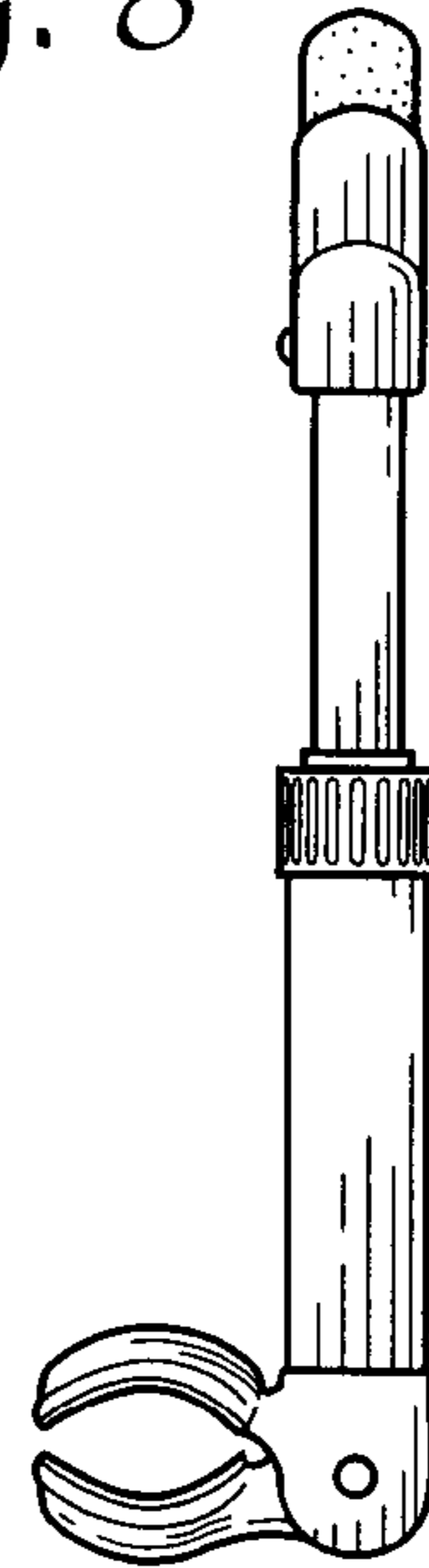


Fig. 7

