



US00D523787S

(12) **United States Design Patent**
Johnson

(10) **Patent No.:** **US D523,787 S**
(45) **Date of Patent:** **** Jun. 27, 2006**

(54) **SLIP-IN HEAT SHIELD FOR A GAP ON MOTORCYCLE EXHAUST PIPE**

(75) Inventor: **Keith E. Johnson**, Hudson, WI (US)

(73) Assignee: **Kuryakyn Holdings, Inc.**, Somerset, WI (US)

(**) Term: **14 Years**

(21) Appl. No.: **29/216,203**

(22) Filed: **Oct. 29, 2004**

(51) **LOC (8) Cl.** **12-11**

(52) **U.S. Cl.** **D12/126**

(58) **Field of Classification Search** D12/110, D12/114, 194, 126; D15/5; 180/89.2, 219, 180/225, 296, 309; 280/304.3, 304.4, 304.5, 280/288.4; 123/195 C, 198 E, 315; 181/227, 181/228, 247-251, 264, 282; 60/313, 323
See application file for complete search history.

(56) **References Cited**
PUBLICATIONS

Custom Chrome® 2002, heat shields on pp. 7.66 and 7.67.*
* cited by examiner

Primary Examiner—Alan P. Douglas
Assistant Examiner—Linda Brooks
(74) *Attorney, Agent, or Firm*—Dicke, Billig & Czaja

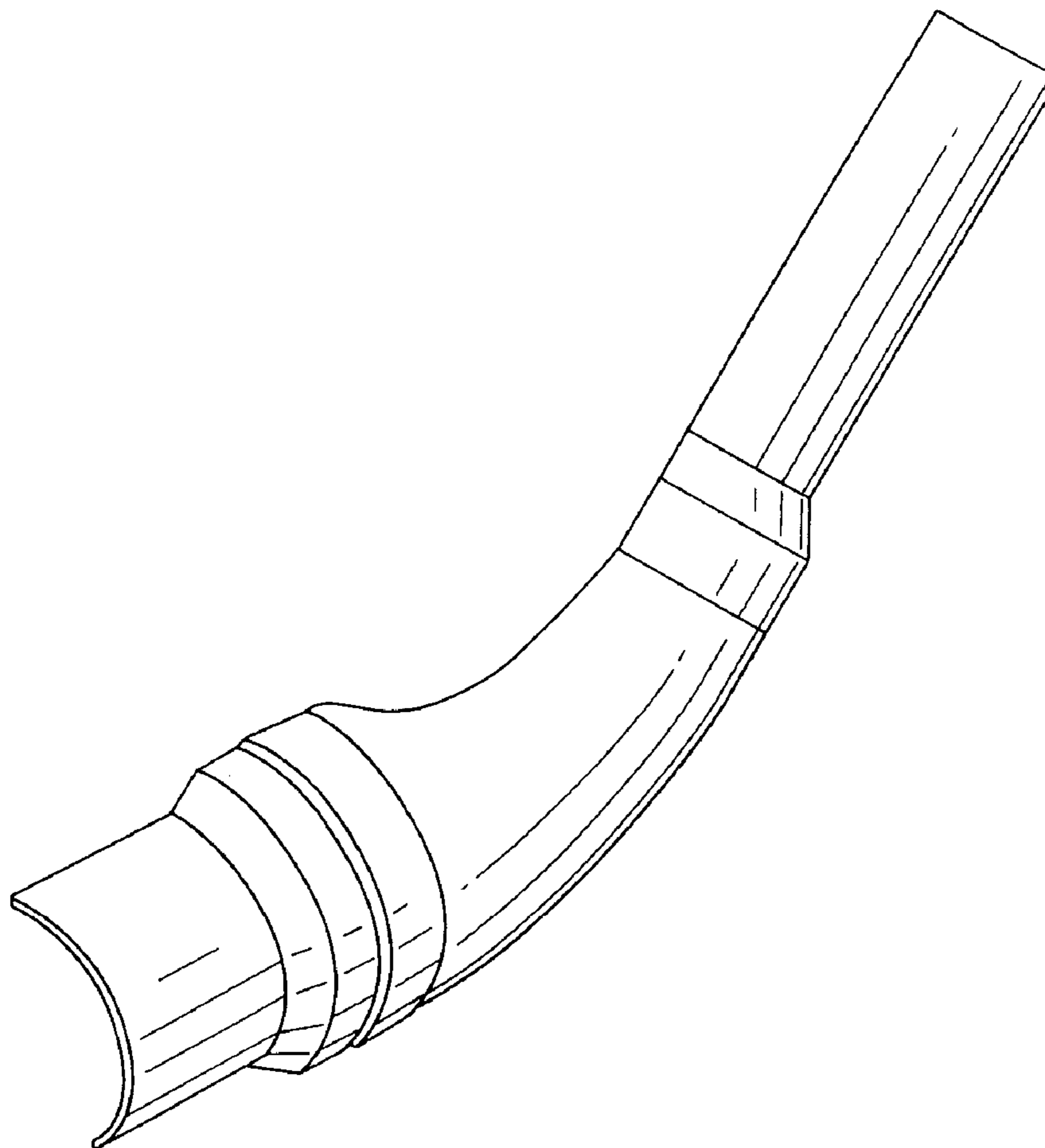
(57) **CLAIM**

The ornamental design for a slip-in heat shield for a gap on motorcycle exhaust pipe, as shown.

DESCRIPTION

FIG. 1 is a perspective view of a slip-in heat shield for a gap on motorcycle exhaust pipe embodying my new design; FIG. 2 is an outer side view thereof; FIG. 3 is an inner side view thereof; FIG. 4 is a rear elevational view thereof; FIG. 5 is a front elevational view thereof; FIG. 6 is a top plan view thereof; and, FIG. 7 is a bottom plan view thereof.

1 Claim, 7 Drawing Sheets



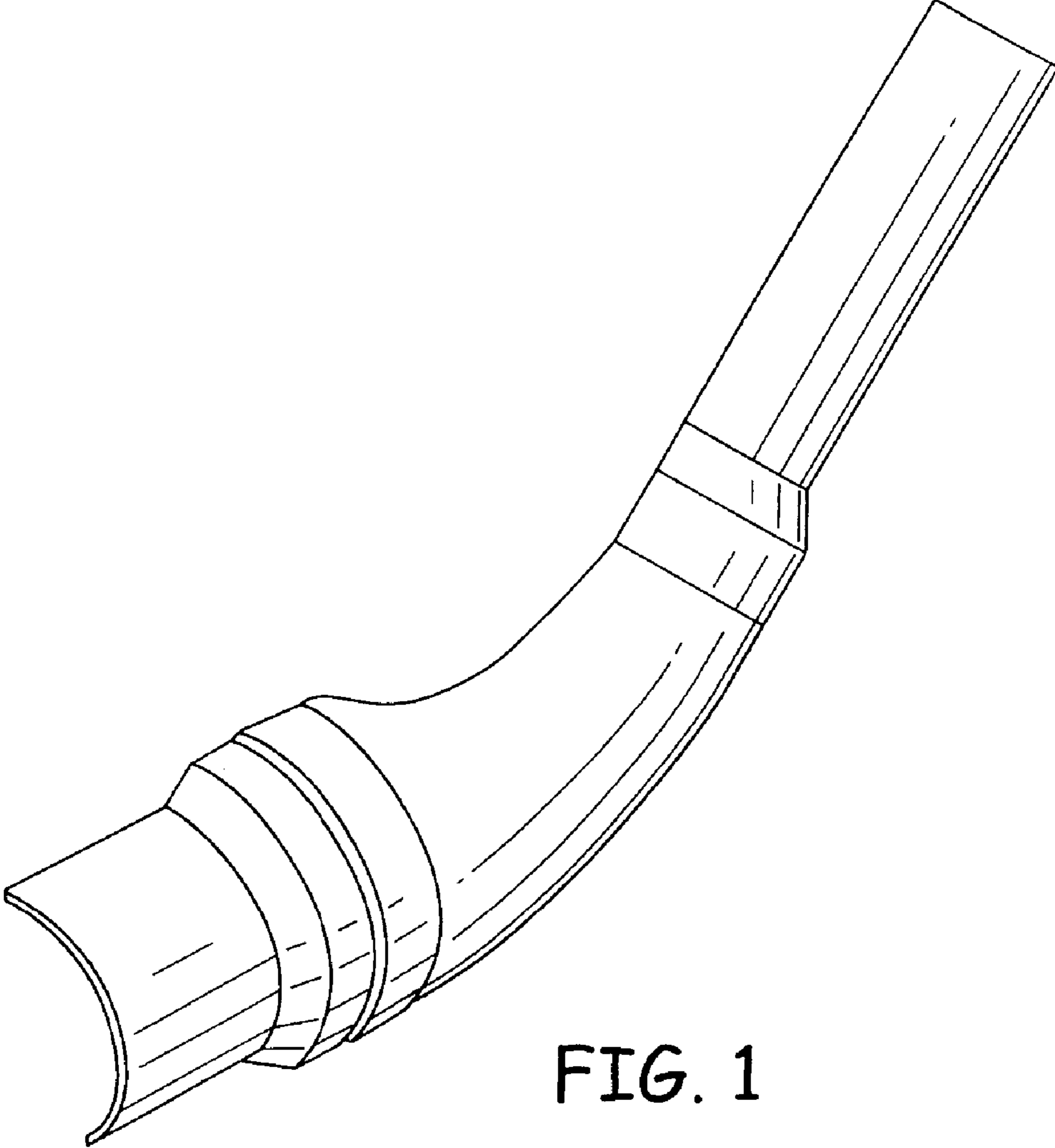


FIG. 1

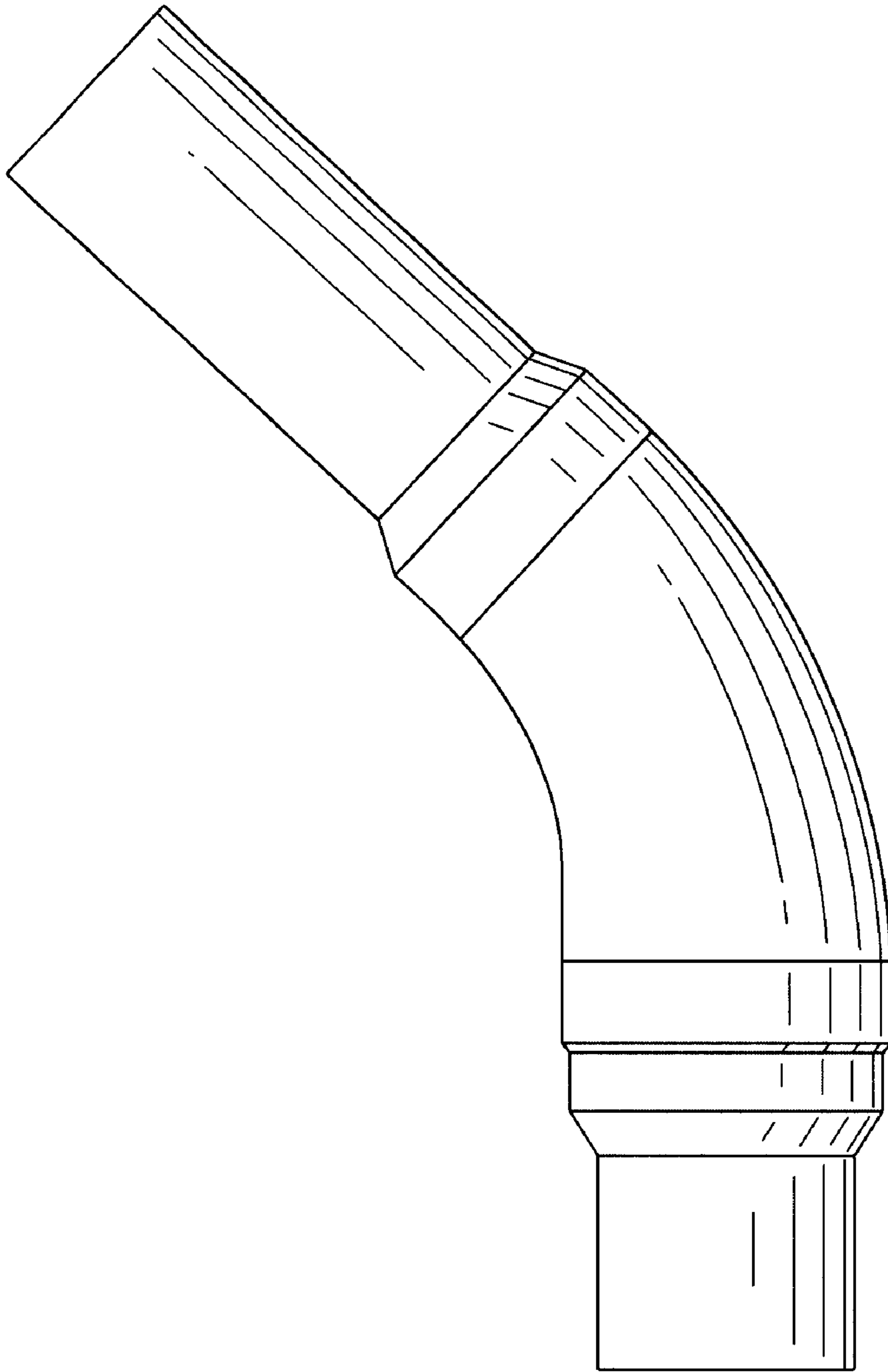


FIG. 2

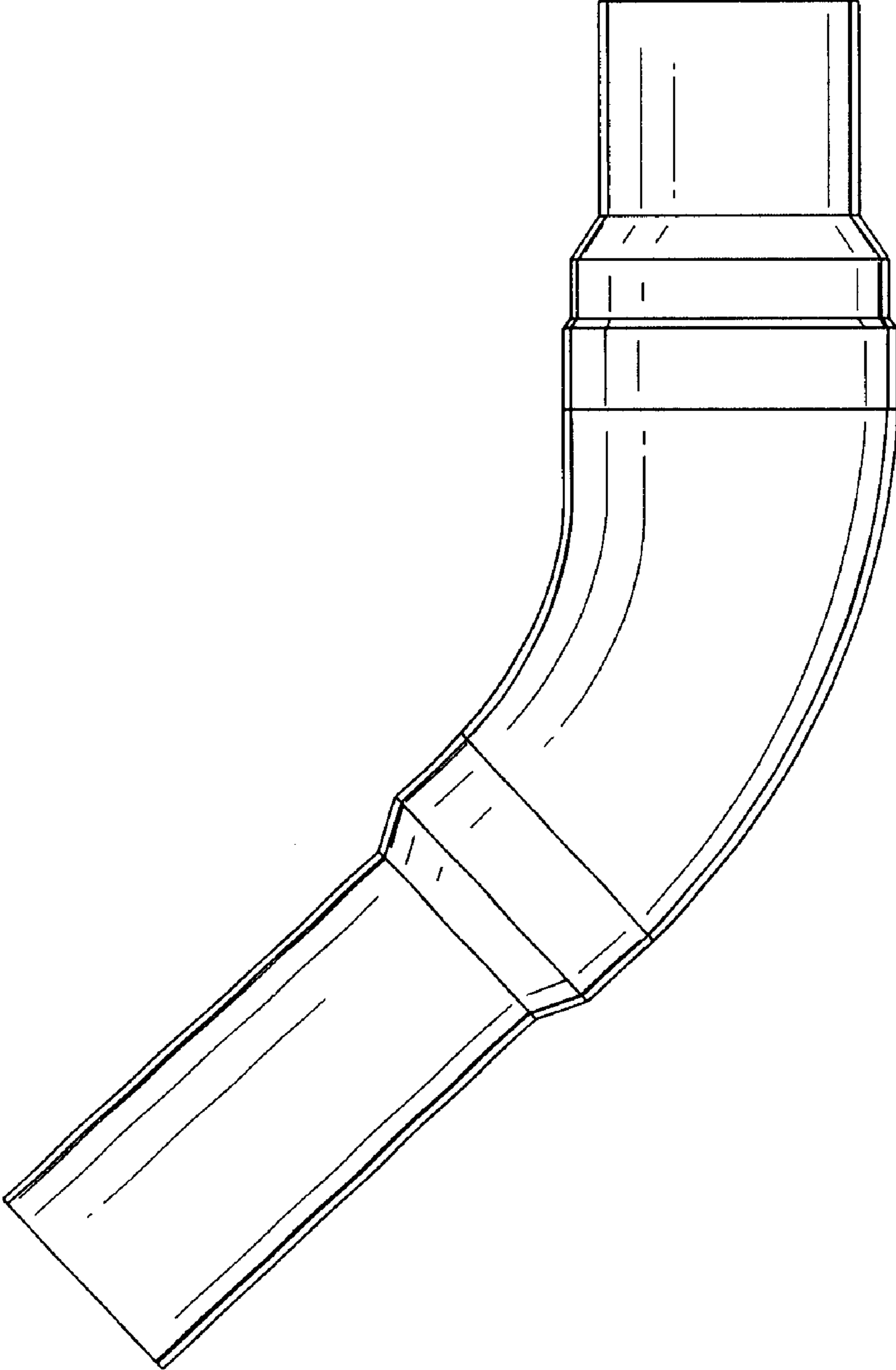


FIG. 3

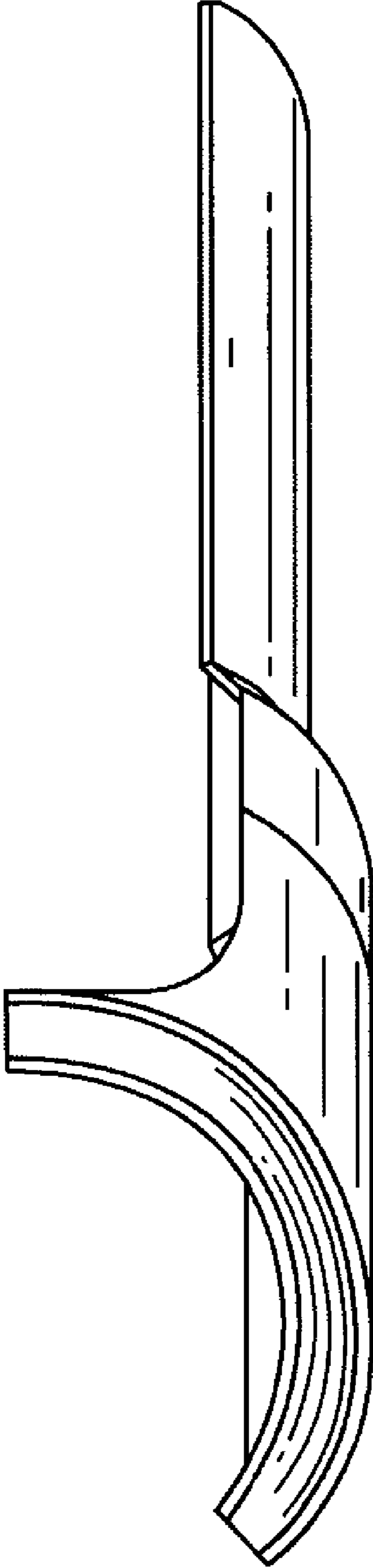


FIG. 4

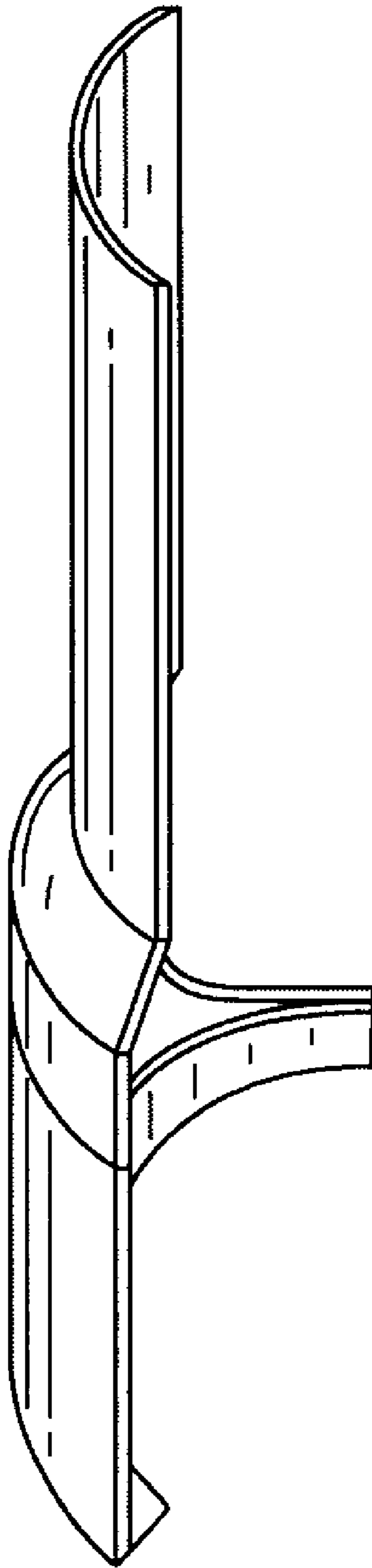


FIG. 5

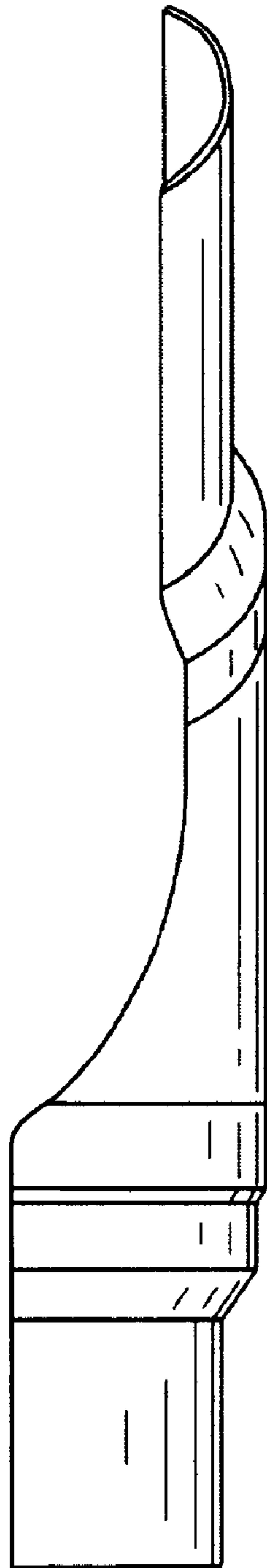


FIG. 6

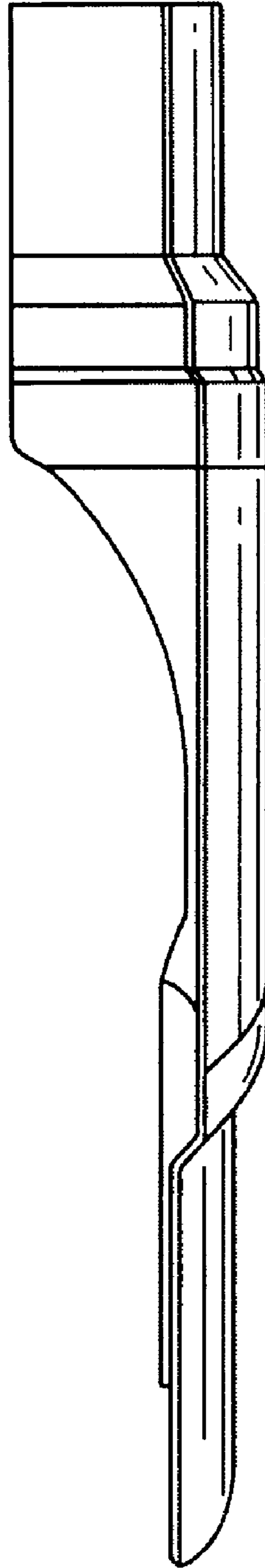


FIG. 7