

US00D523785S

(12) **United States Design Patent**
Hu

(10) **Patent No.:** **US D523,785 S**

(45) **Date of Patent:** **** Jun. 27, 2006**

(54) **GASOLINE SCOOTER**

D510,058 S * 9/2005 Lin D12/110
D513,209 S * 12/2005 Shiau D12/110

(76) Inventor: **Jirong Hu**, Xingyue Group Co., Ltd.,
Gushan Industrial Park, Yongkang,
Zhejiang Province (CN)

* cited by examiner

Primary Examiner—Alan P. Douglas
Assistant Examiner—Linda Brooks

(**) Term: **14 Years**

(57) **CLAIM**

(21) Appl. No.: **29/233,815**

The ornamental design for a gasoline scooter, as shown.

(22) Filed: **Jul. 11, 2005**

DESCRIPTION

(51) **LOC (8) Cl.** **12-11**

(52) **U.S. Cl.** **D12/110**

(58) **Field of Classification Search** D12/110;
180/219, 220, 225, 229

FIG. 1 is a front elevational view of a gasoline scooter showing my new design;
FIG. 2 is a rear elevational view thereof;
FIG. 3 is a left side view thereof;
FIG. 4 is a right side view thereof;
FIG. 5 is a top plan view thereof;
FIG. 6 is a bottom plan view thereof; and,
FIG. 7 is a perspective view thereof.

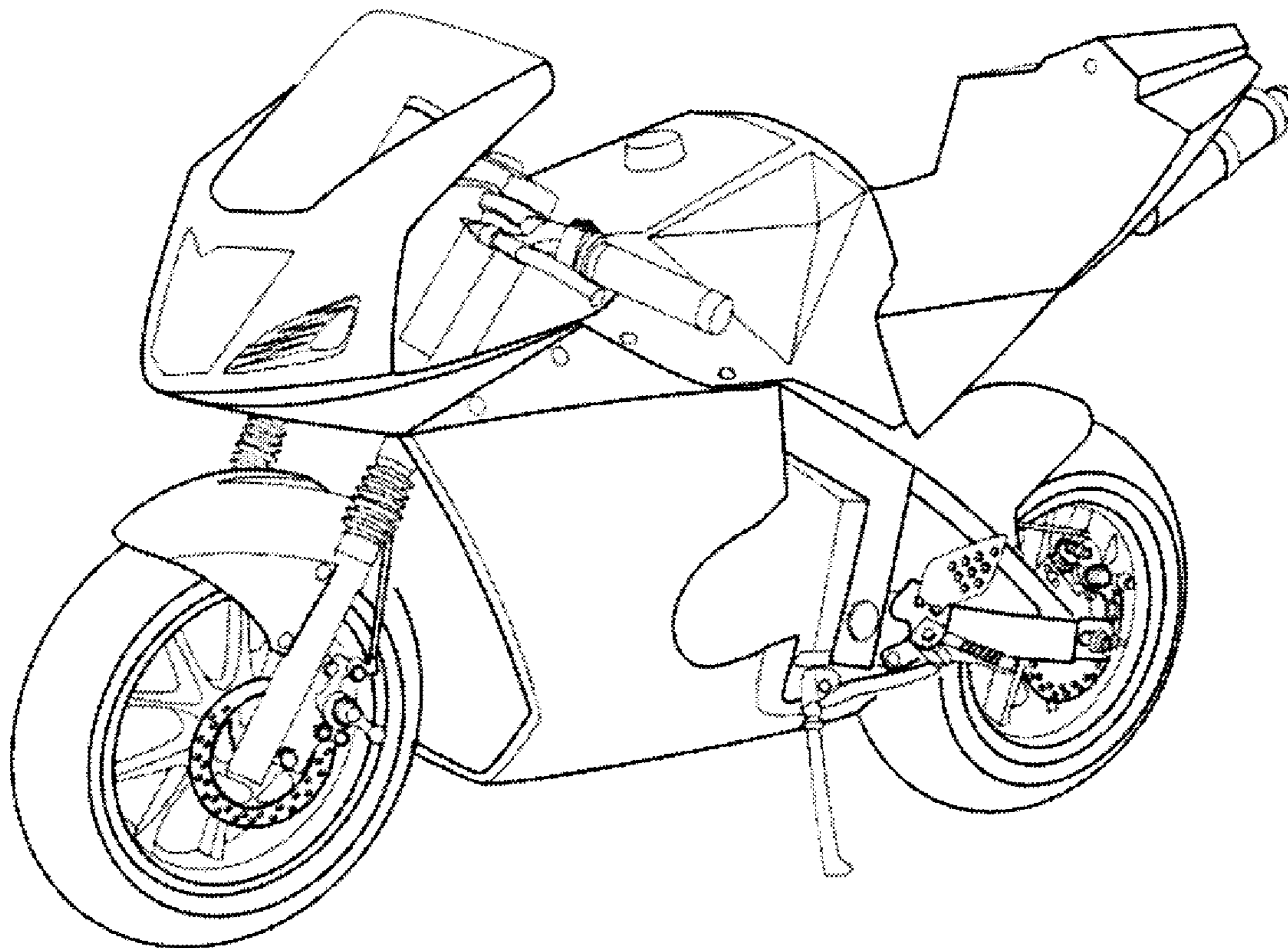
See application file for complete search history.

(56) **References Cited**

U.S. PATENT DOCUMENTS

D389,096 S * 1/1998 Tako et al. D12/110
D496,309 S * 9/2004 Fukumoto et al. D12/110

1 Claim, 4 Drawing Sheets



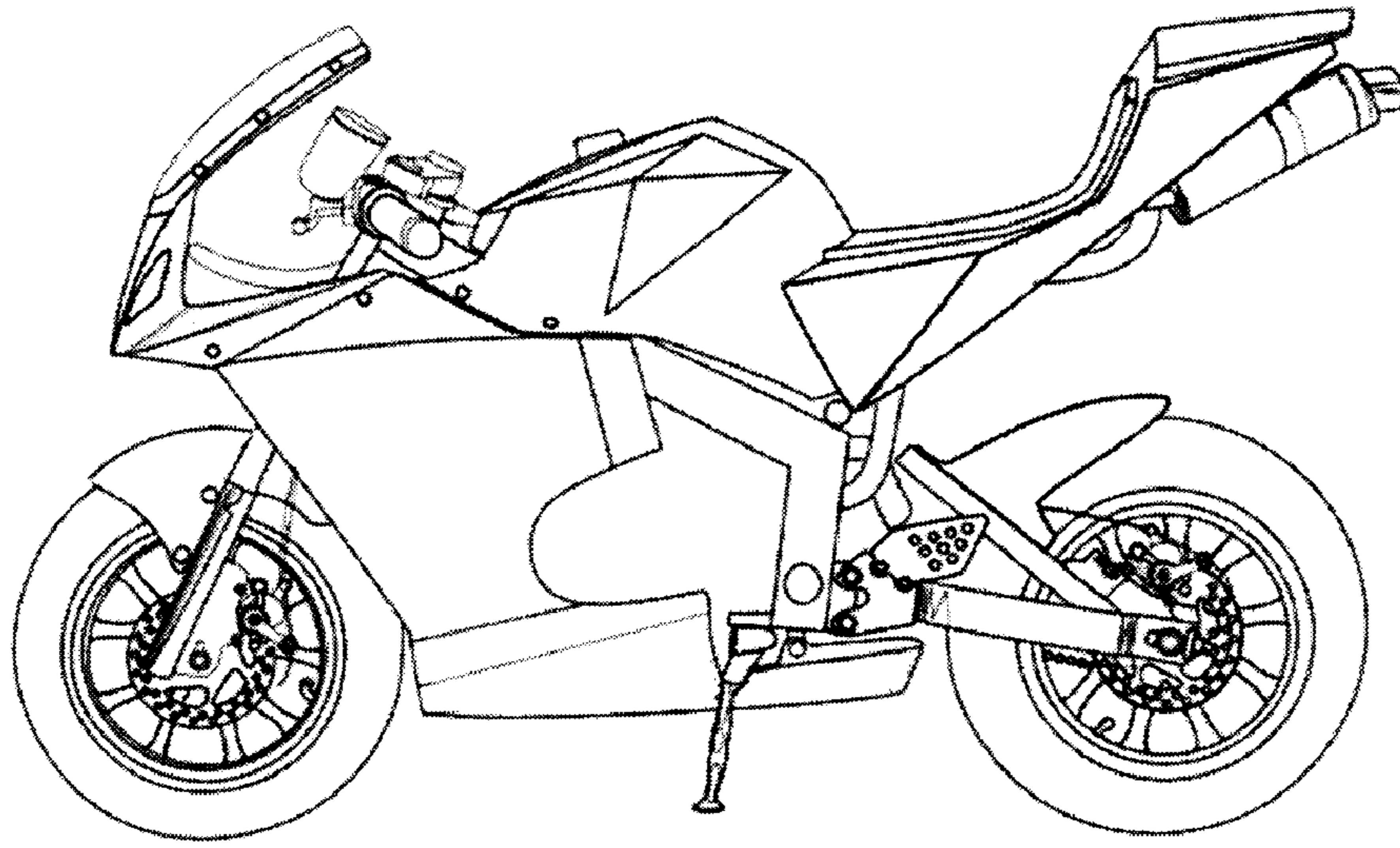


FIG. 1

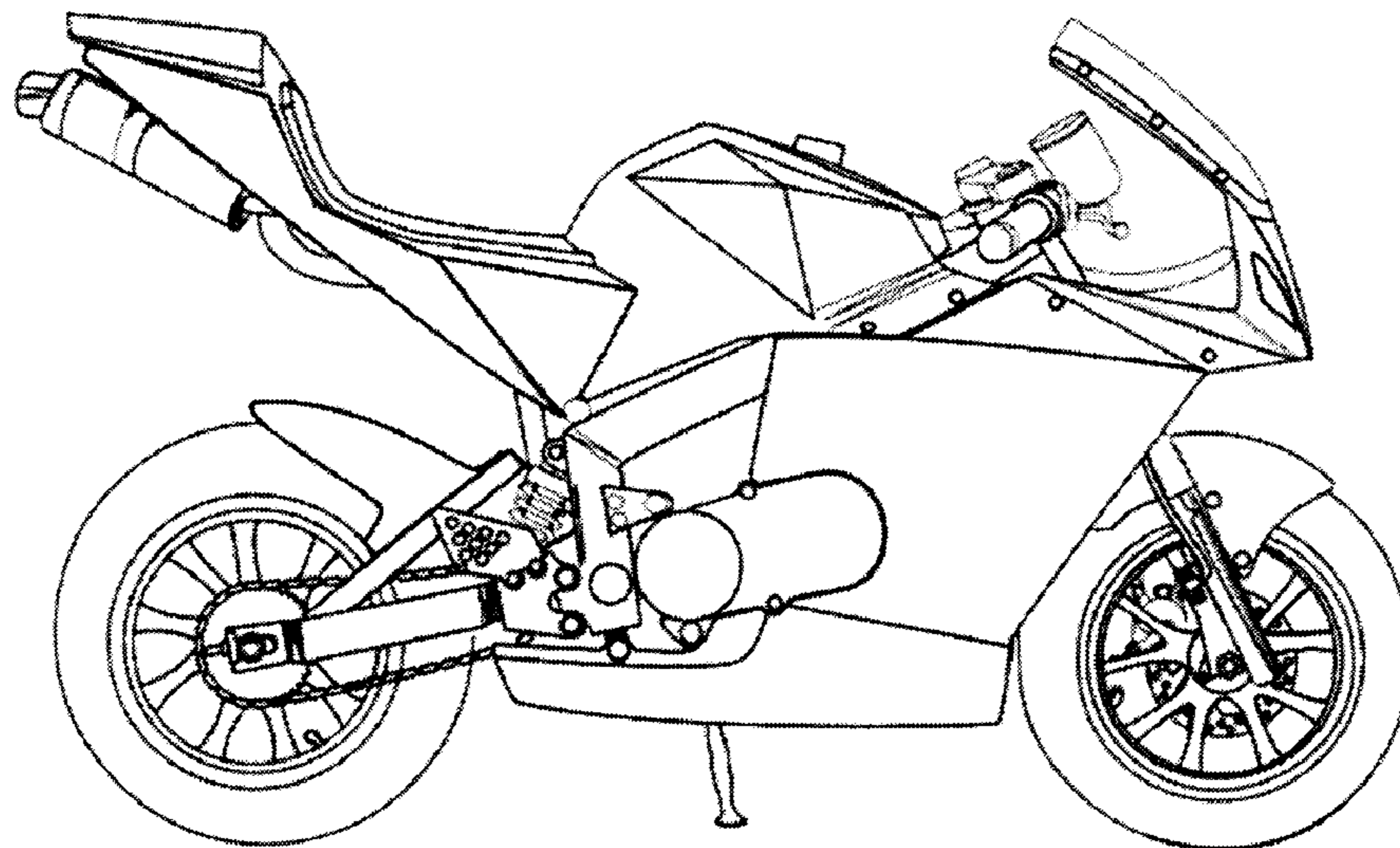


FIG. 2

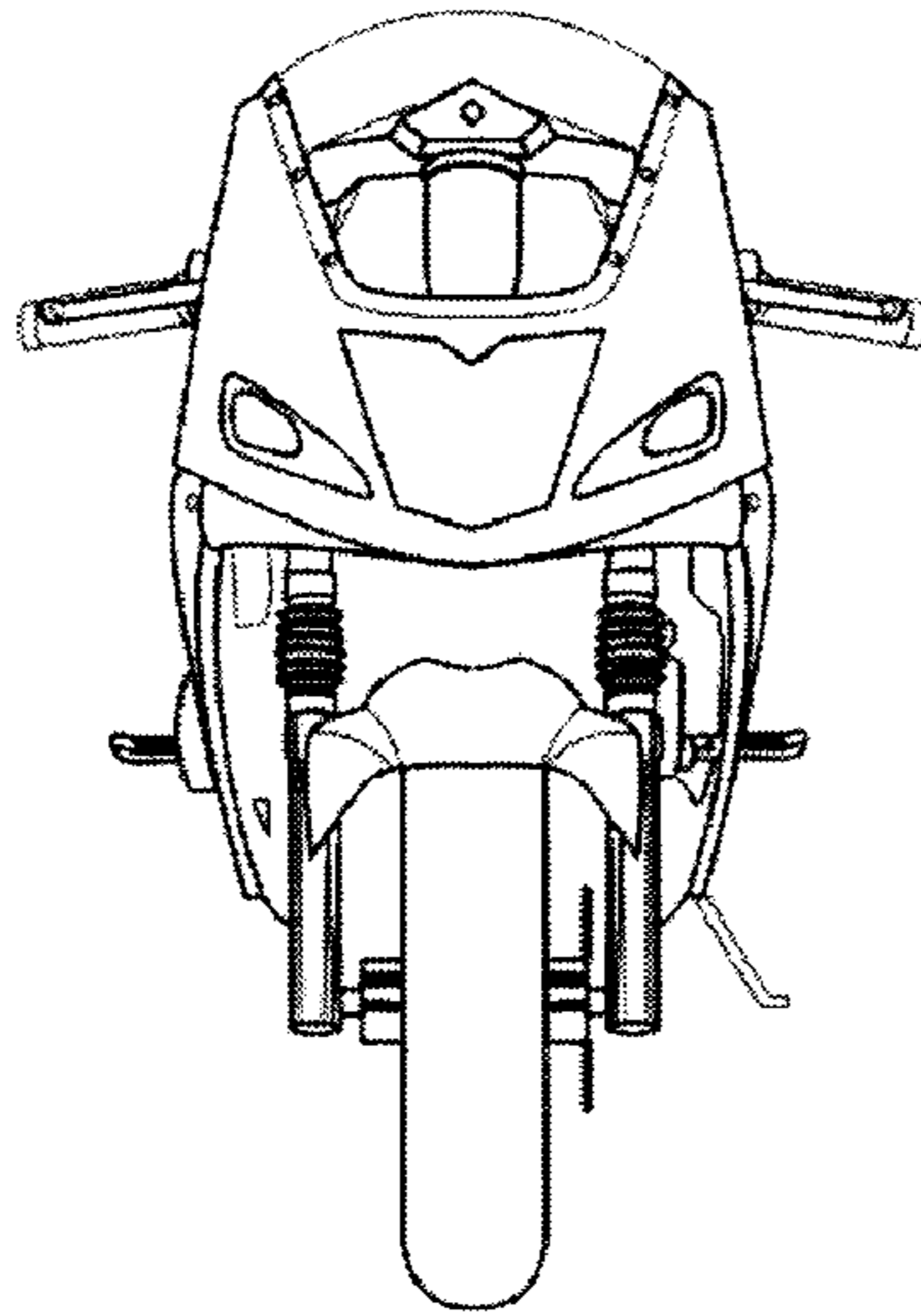


FIG. 3

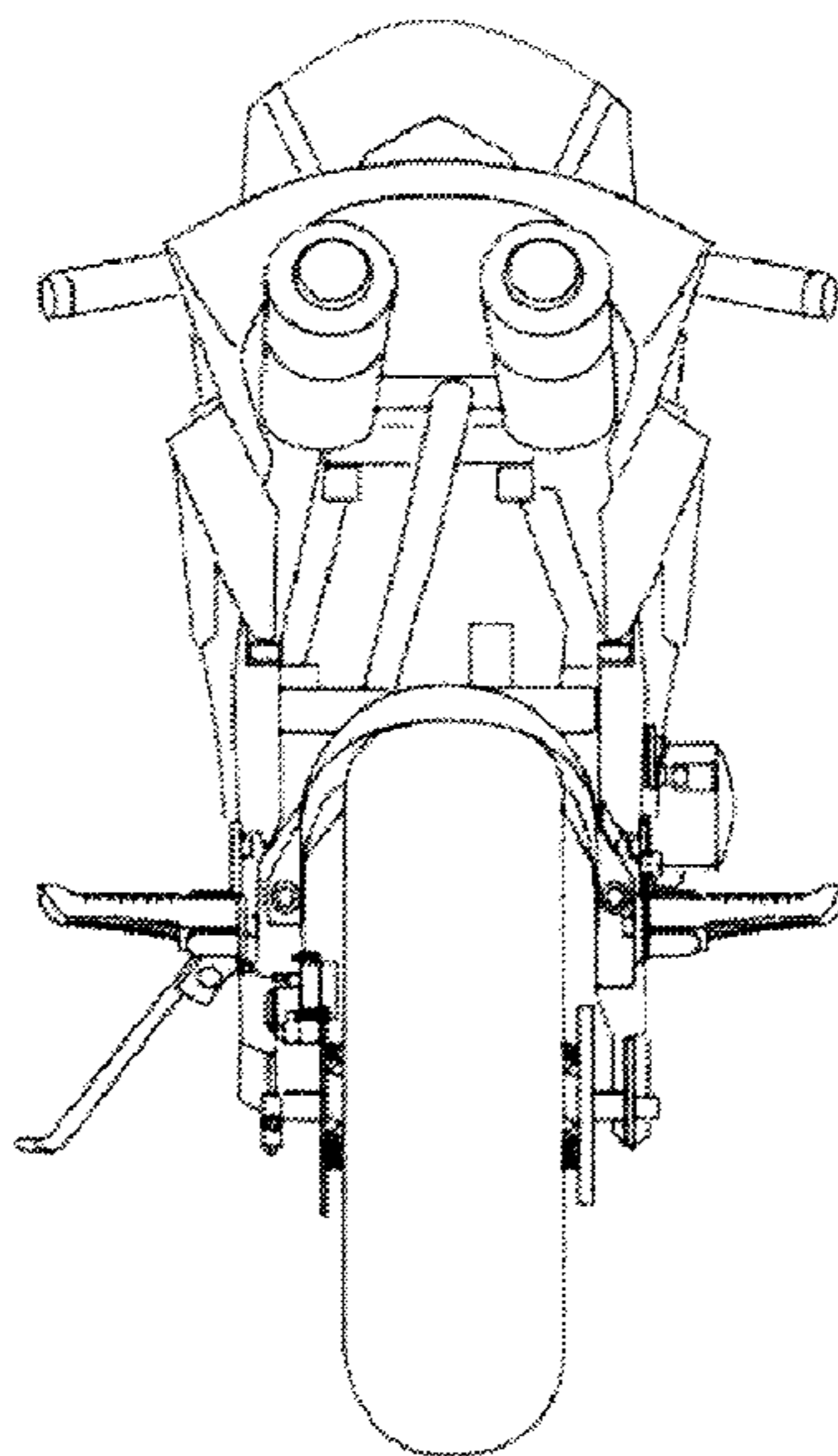


FIG. 4

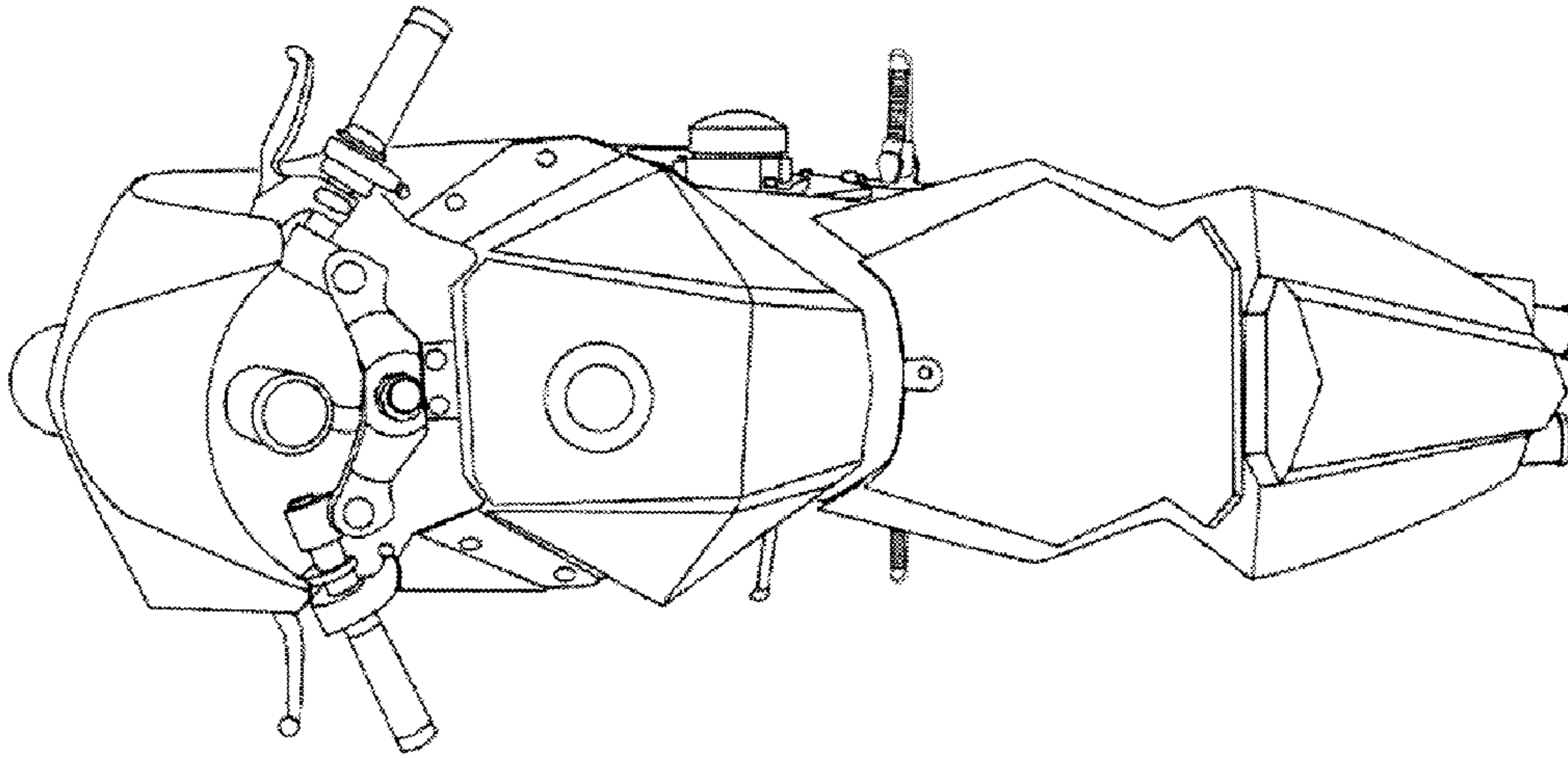


FIG. 5

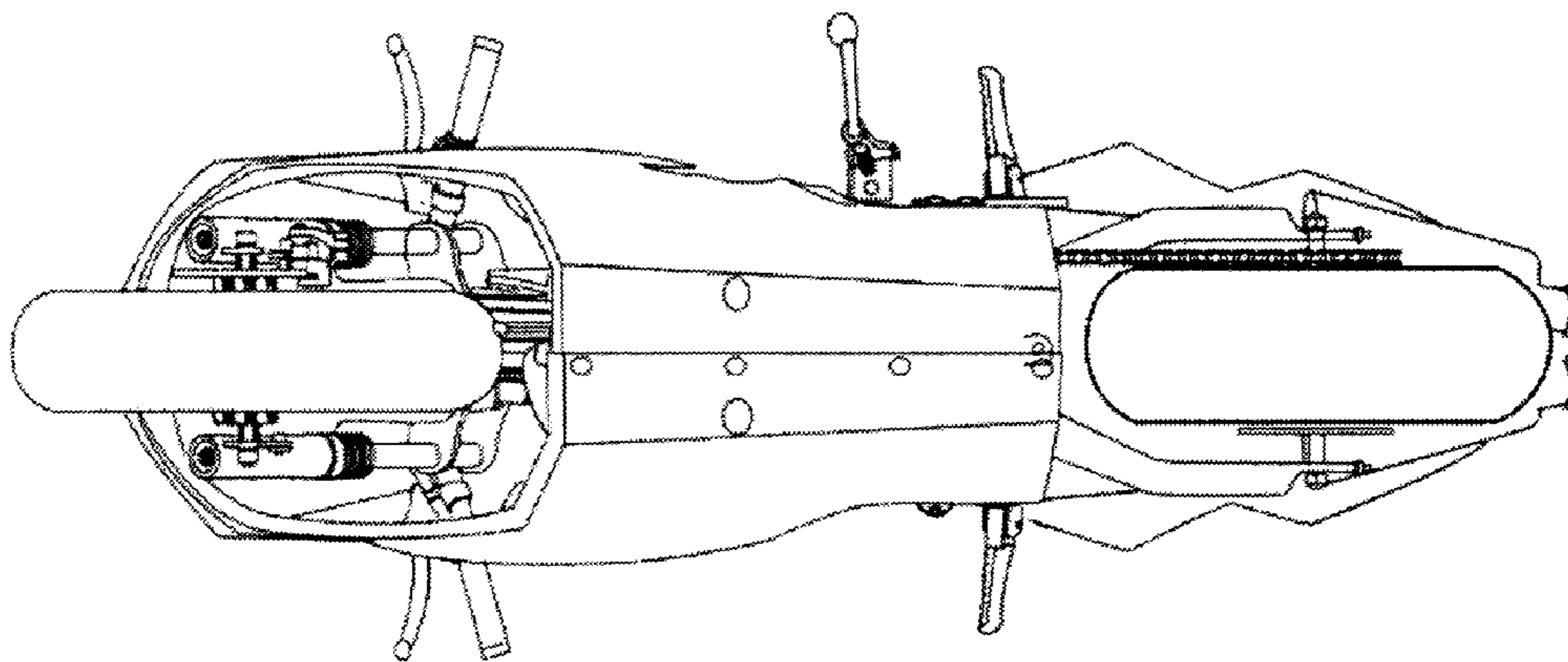


FIG. 6

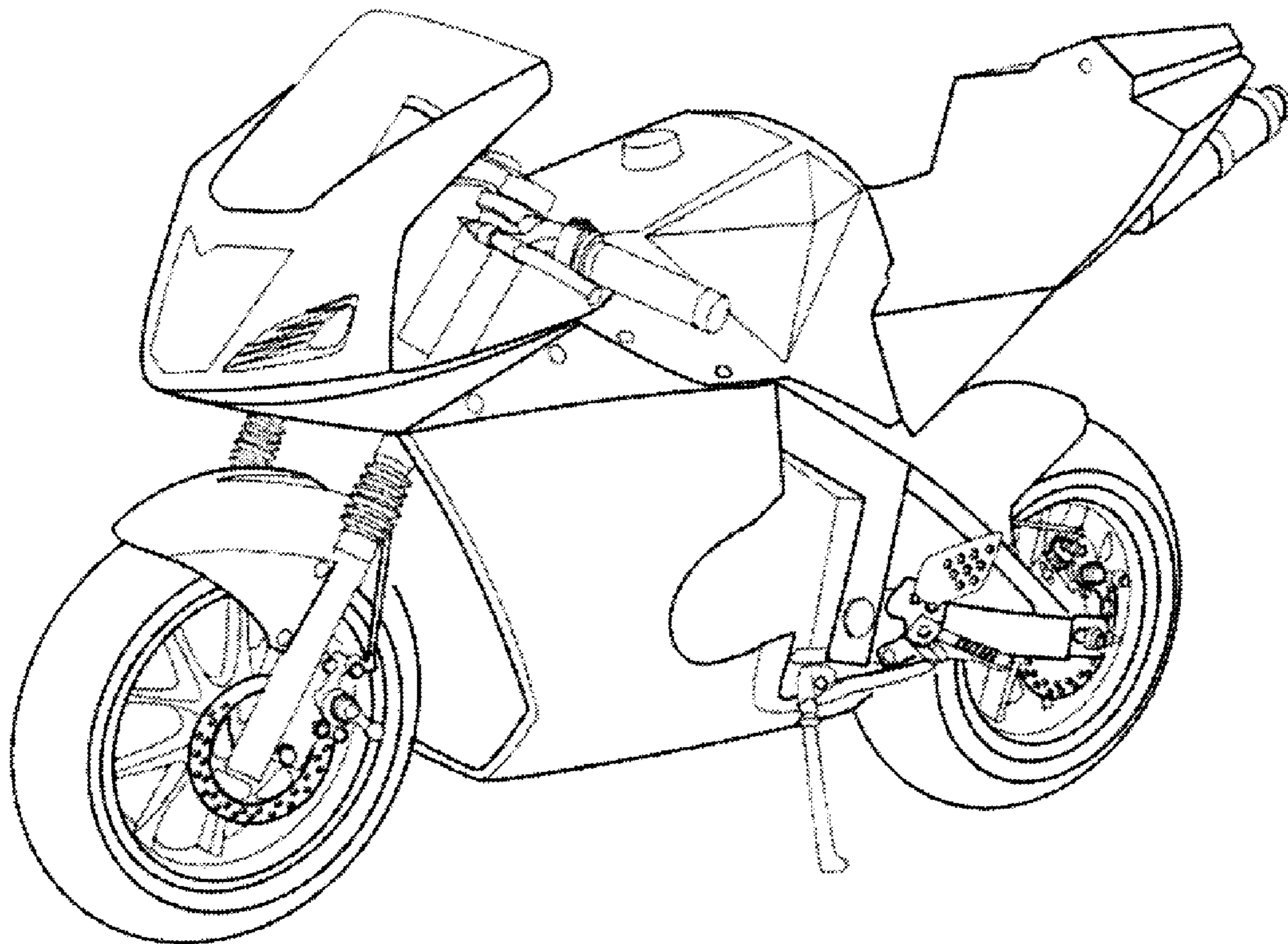


FIG. 7