

US00D523784S

(12) **United States Design Patent**  
**Hu**

(10) **Patent No.:** **US D523,784 S**

(45) **Date of Patent:** **\*\* Jun. 27, 2006**

(54) **GASOLINE SCOOTER**

D510,058 S \* 9/2005 Lin ..... D12/110  
D513,209 S \* 12/2005 Shiao ..... D12/110

(76) Inventor: **Jirong Hu**, Xingyue Group Co., Ltd.,  
Gushan Industrial Park, Yongkang,  
Zhejiang Province (CN)

\* cited by examiner

*Primary Examiner*—Alan P. Douglas  
*Assistant Examiner*—Linda Brooks

(\*\*) Term: **14 Years**

(57) **CLAIM**

(21) Appl. No.: **29/233,814**

The ornamental design for a gasoline scooter, as shown.

(22) Filed: **Jul. 11, 2005**

**DESCRIPTION**

(51) **LOC (8) Cl.** ..... **12-11**

(52) **U.S. Cl.** ..... **D12/110**

(58) **Field of Classification Search** ..... D12/110;  
180/219, 220, 225, 229

See application file for complete search history.

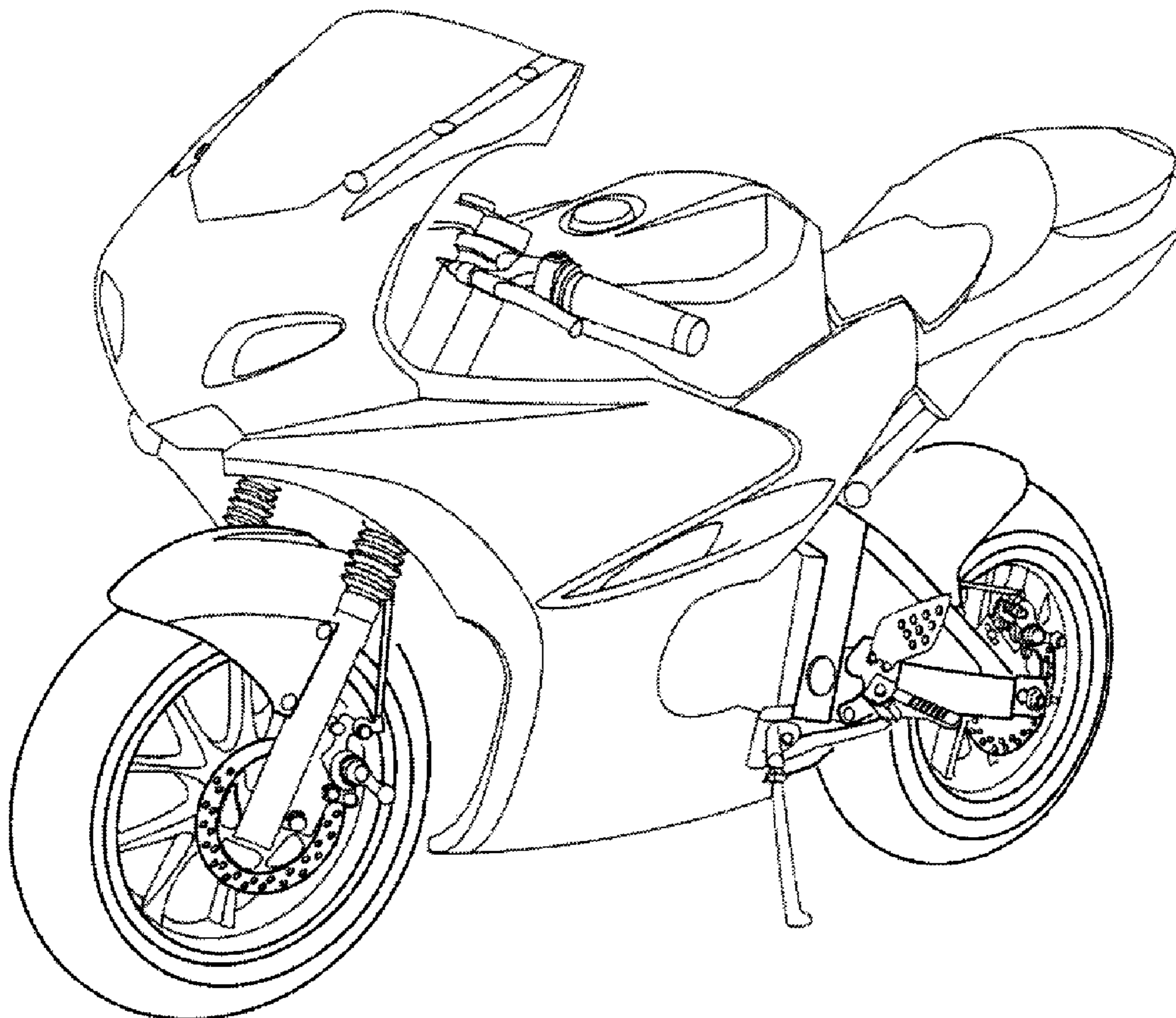
FIG. 1 is a front elevational view of a gasoline scooter showing my new design;  
FIG. 2 is a rear elevational view thereof;  
FIG. 3 is a left side view thereof;  
FIG. 4 is a right side view thereof;  
FIG. 5 is a top plan view thereof;  
FIG. 6 is a bottom plan view thereof; and,  
FIG. 7 is a perspective view thereof.

(56) **References Cited**

**U.S. PATENT DOCUMENTS**

D389,096 S \* 1/1998 Tako et al. .... D12/110  
D496,309 S \* 9/2004 Fukumoto et al. .... D12/110

**1 Claim, 4 Drawing Sheets**



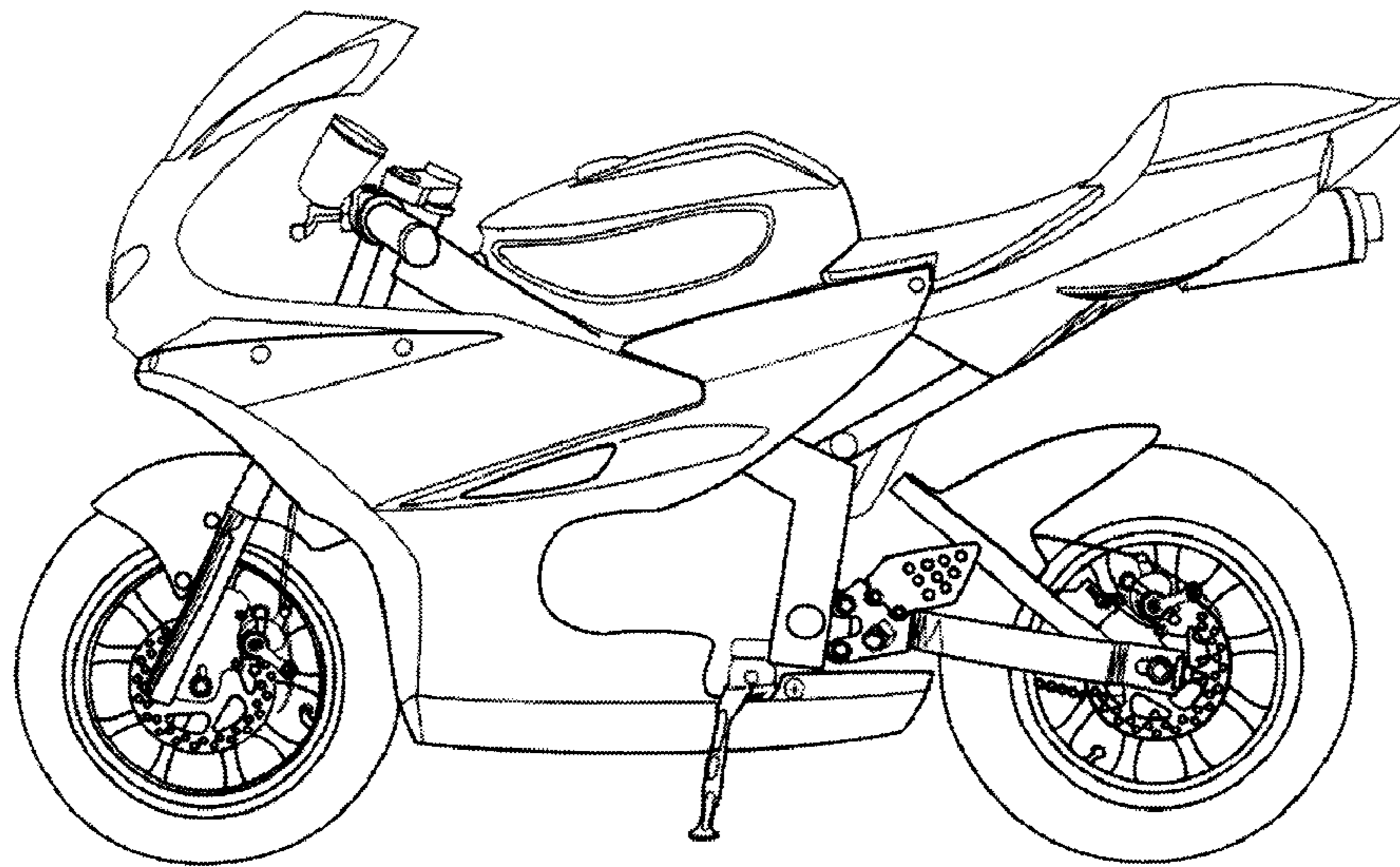


FIG. 1

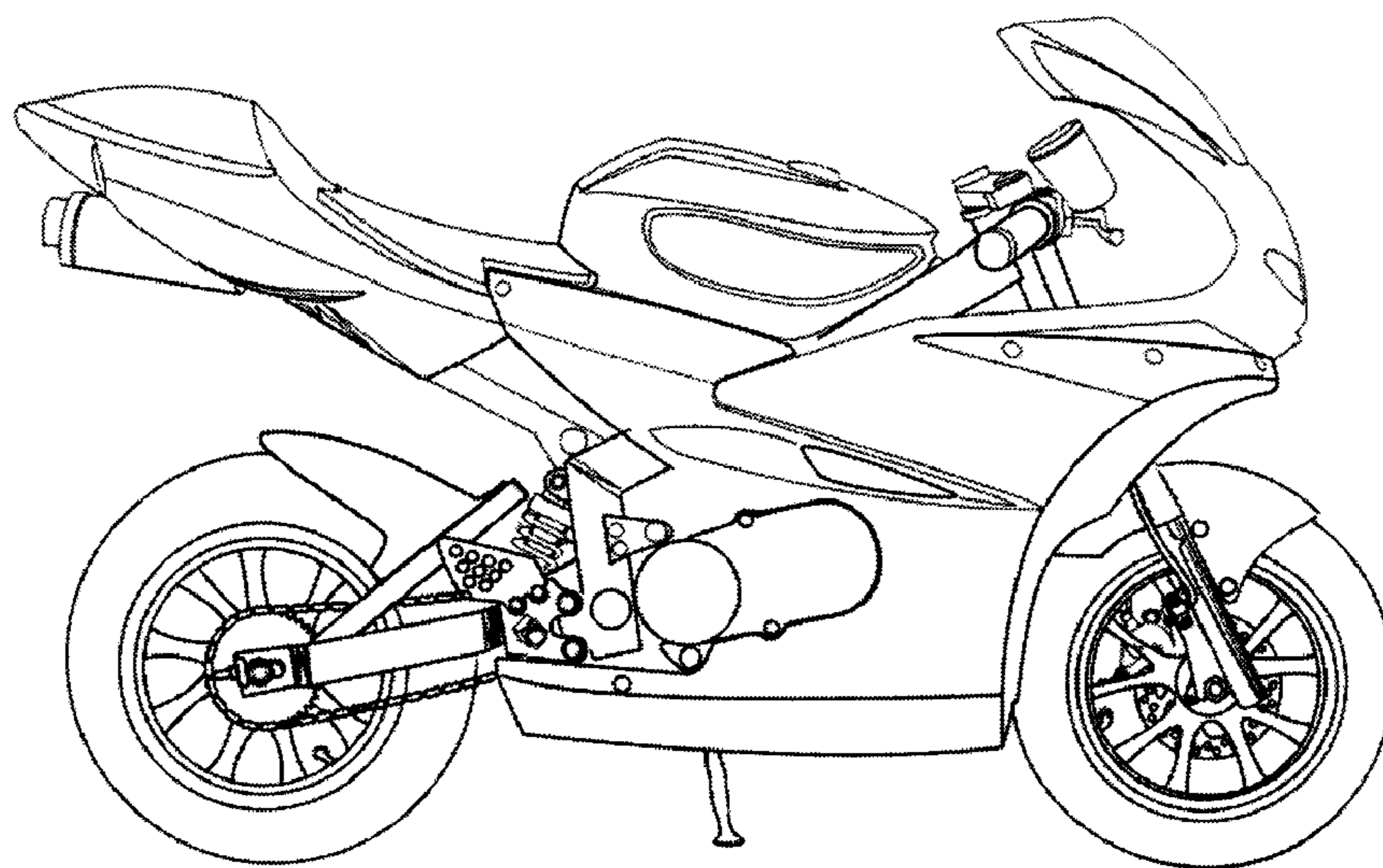


FIG. 2

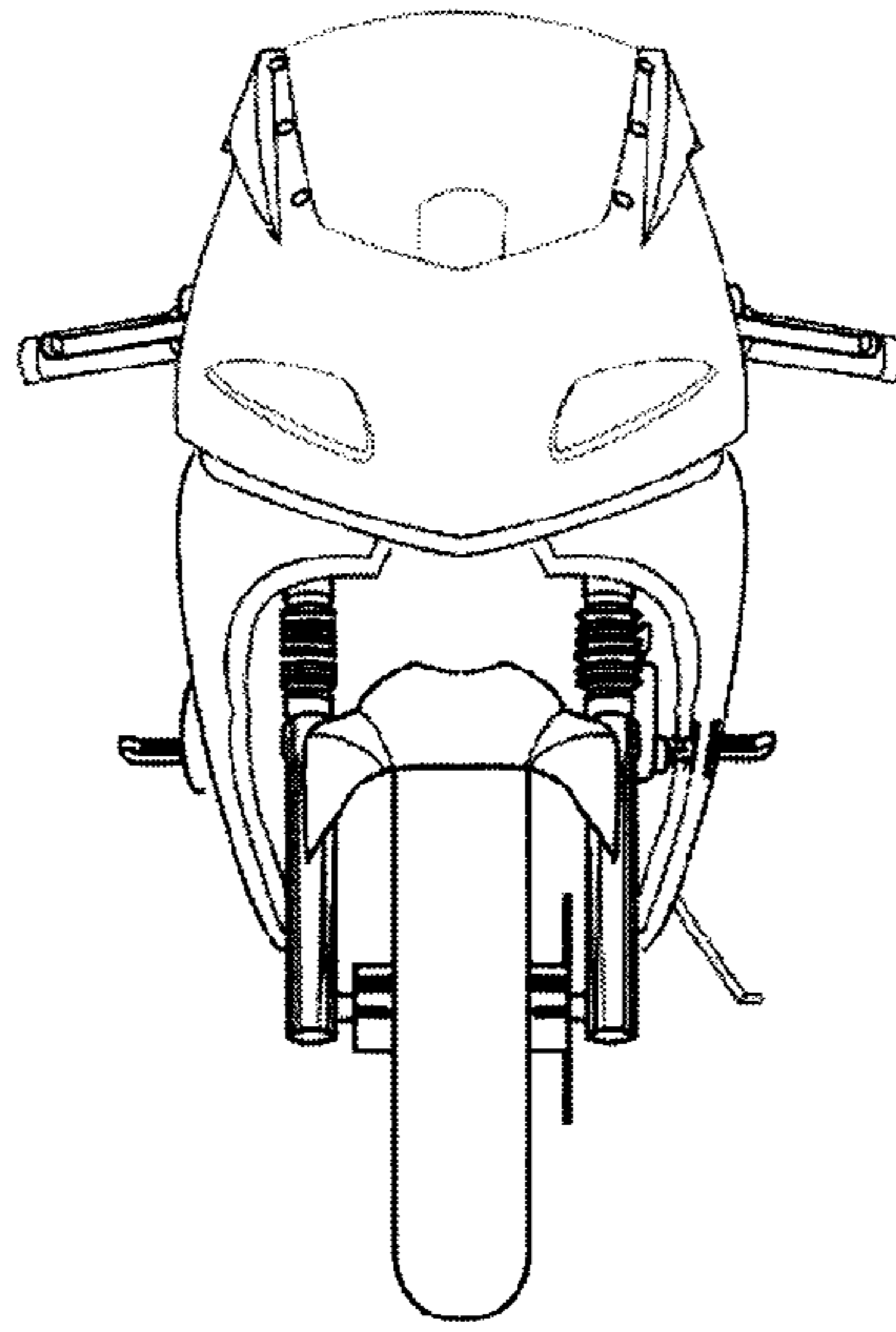


FIG. 3

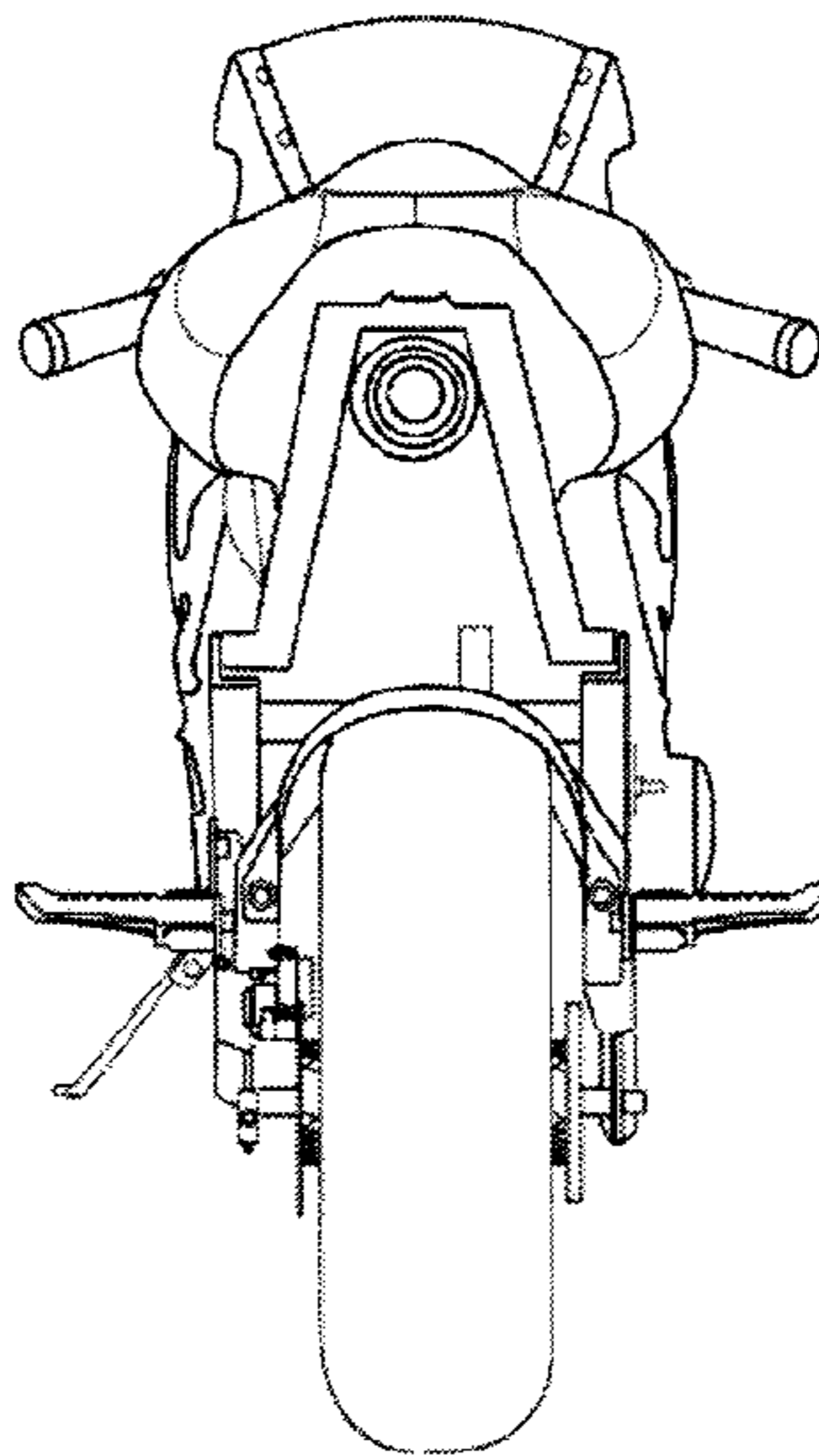


FIG. 4

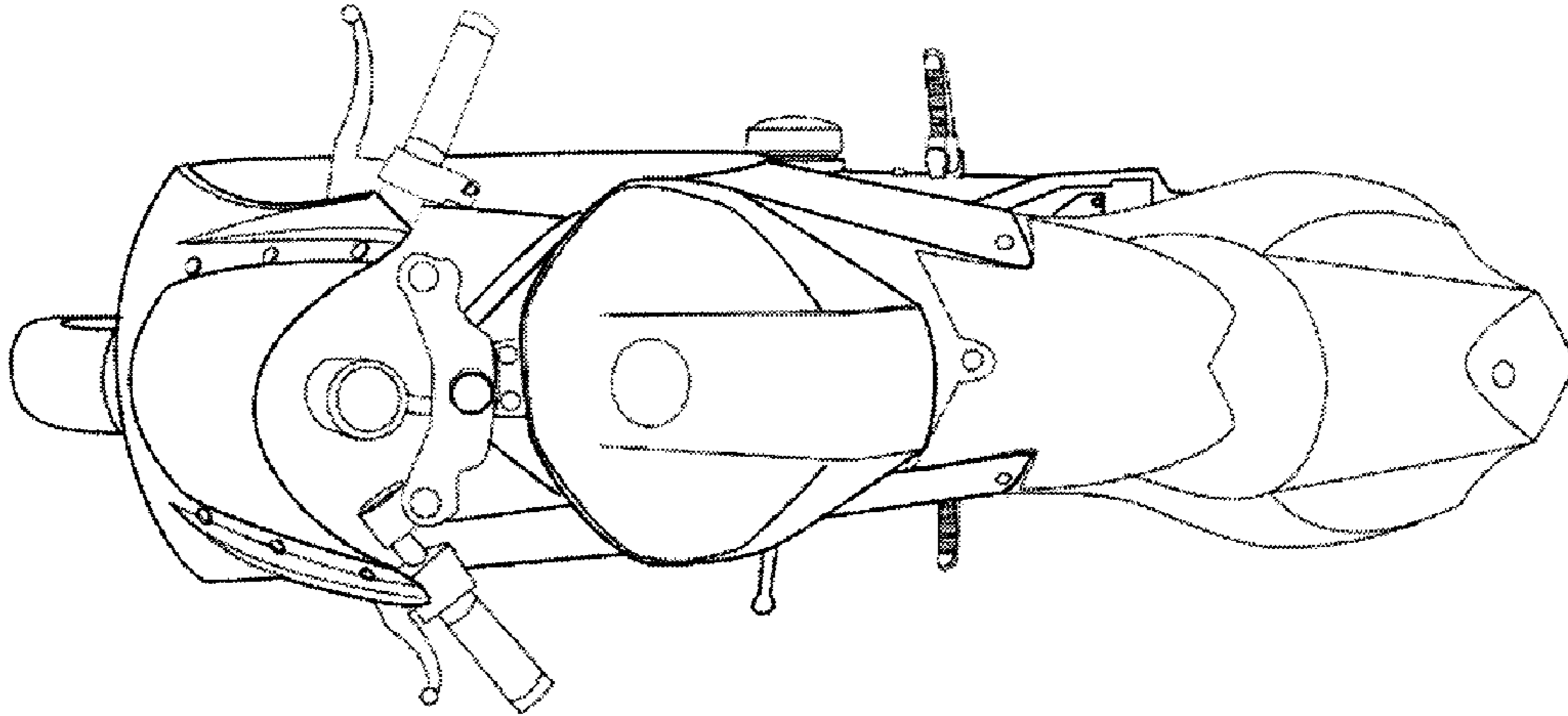


FIG. 5

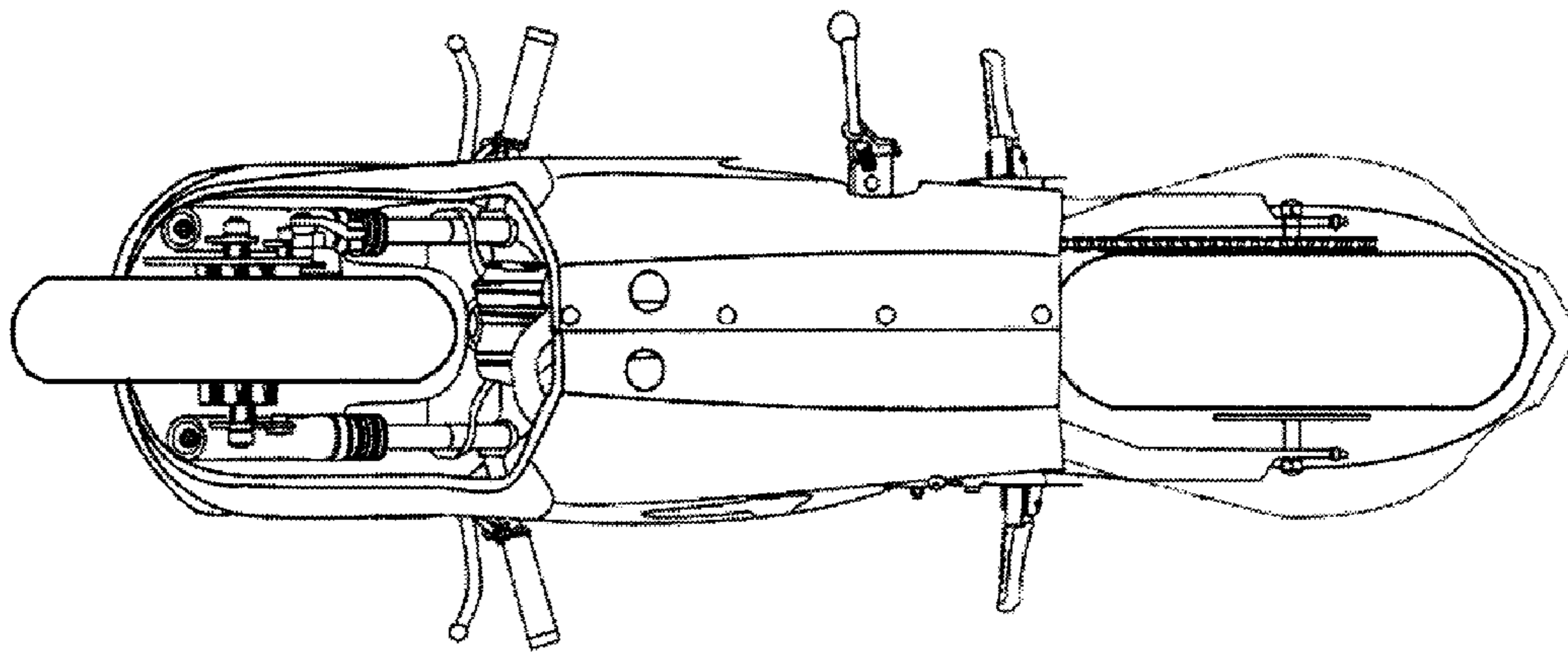


FIG. 6

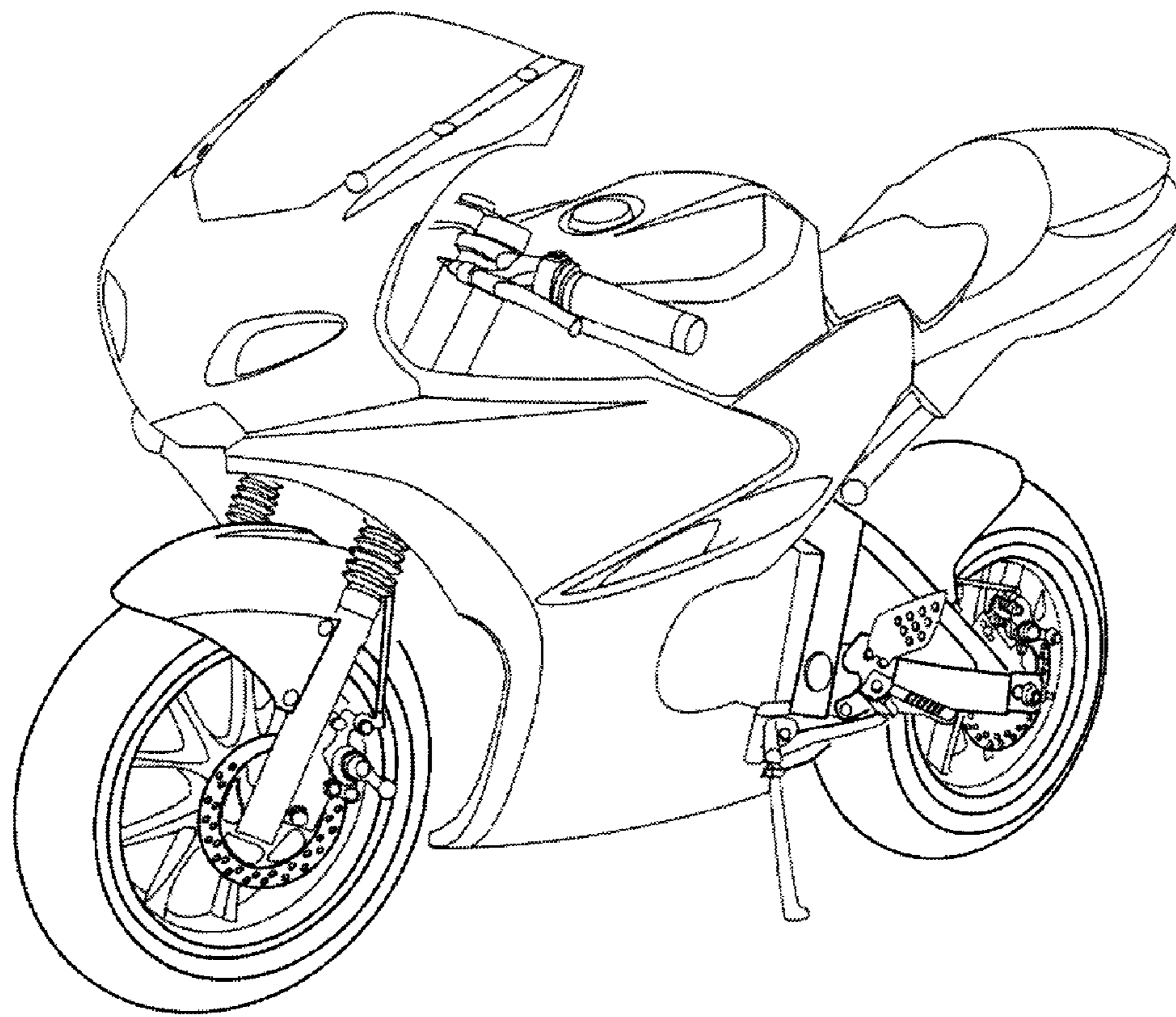


FIG. 7