



US00D523782S

(12) **United States Design Patent**  
**Lin**

(10) **Patent No.:** **US D523,782 S**

(45) **Date of Patent:** **\*\* Jun. 27, 2006**

(54) **ALL-TERRAIN VEHICLE**

(75) Inventor: **Ching-Hua Lin**, Ta-Li (TW)

(73) Assignee: **CIP Motor Co.**, Ta-Li (TW)

(\*\*) Term: **14 Years**

(21) Appl. No.: **29/221,998**

(22) Filed: **Jan. 26, 2005**

(51) **LOC (8) Cl.** ..... **12-11**

(52) **U.S. Cl.** ..... **D12/107**

(58) **Field of Classification Search** ..... D12/3,  
D12/86, 87, 107, 110; 180/225, 229, 233,  
180/311, 312, 315

See application file for complete search history.

(56) **References Cited**

**U.S. PATENT DOCUMENTS**

D349,078 S	*	7/1994	Kimura et al.	.....	D12/107
D412,464 S	*	8/1999	Ichihara et al.	.....	D12/107
D438,823 S	*	3/2001	Luh	.....	D12/107
D445,363 S	*	7/2001	Luh	.....	D12/107

D448,325 S	*	9/2001	Fujieda	.....	D12/107
D485,212 S	*	1/2004	Wu	.....	D12/107
D485,213 S	*	1/2004	Wu	.....	D12/107

\* cited by examiner

*Primary Examiner*—Alan P. Douglas

*Assistant Examiner*—Linda Brooks

(74) *Attorney, Agent, or Firm*—Dennison, Schultz,  
Dougherty & MacDonald

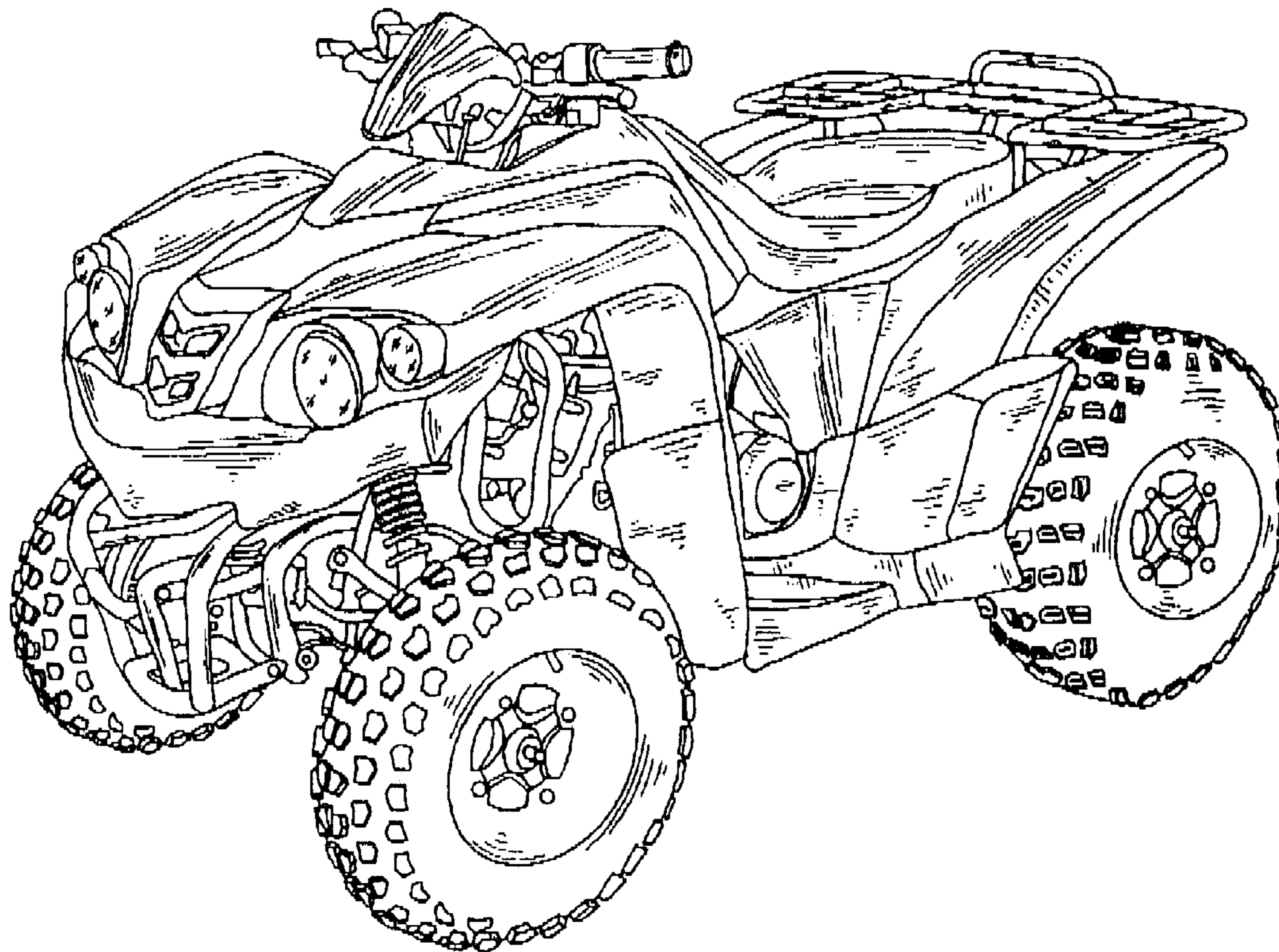
(57) **CLAIM**

The ornamental design for an all-terrain vehicle, as shown.

**DESCRIPTION**

FIG. 1 is a perspective view of an all-terrain vehicle, showing my new design;  
FIG. 2 is a front view thereof;  
FIG. 3 is a rear view thereof;  
FIG. 4 is a left view thereof;  
FIG. 5 is a right view thereof;  
FIG. 6 is top view thereof; and,  
FIG. 7 is a bottom view thereof.

**1 Claim, 4 Drawing Sheets**



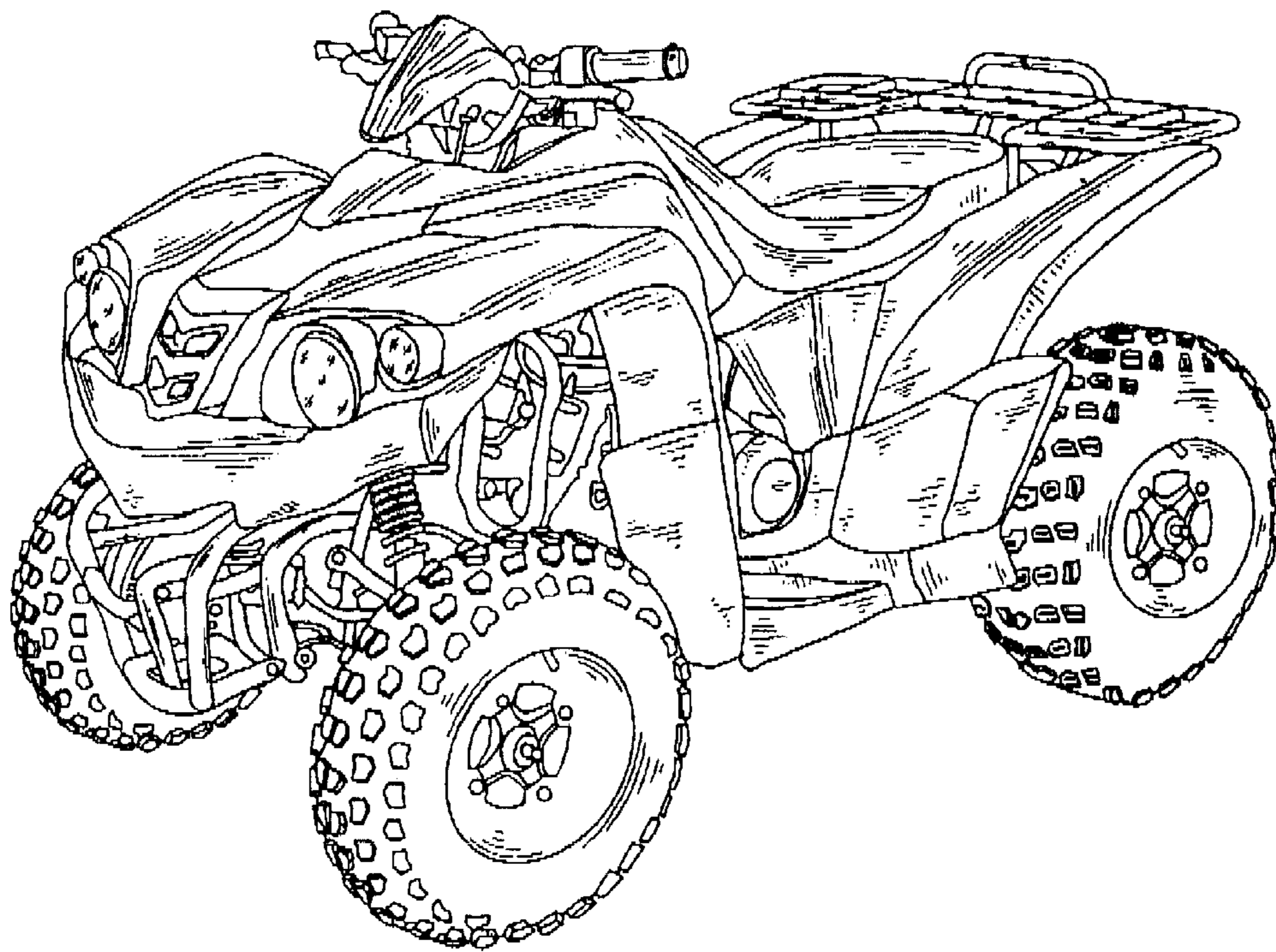


FIG.1

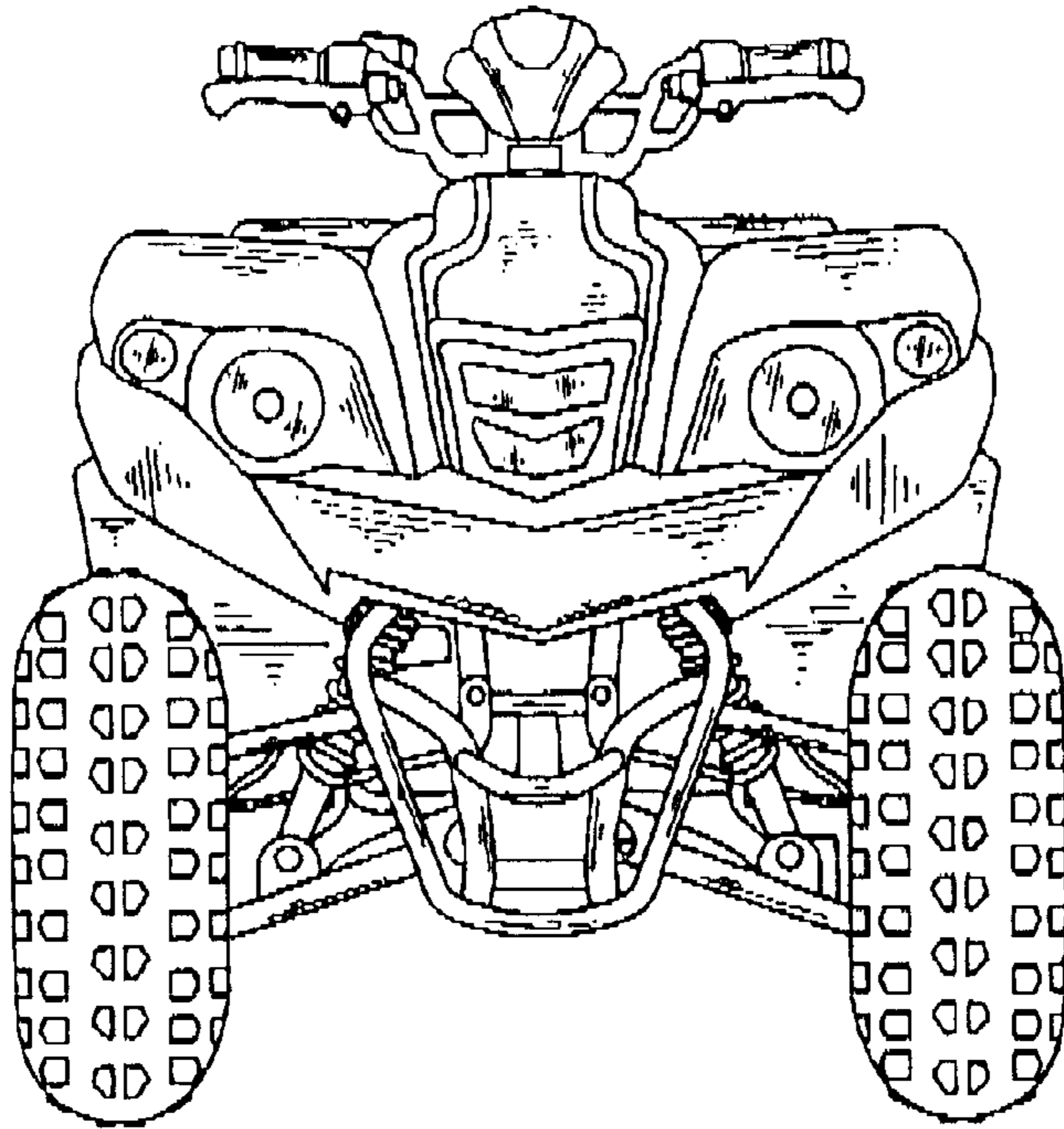


FIG.2

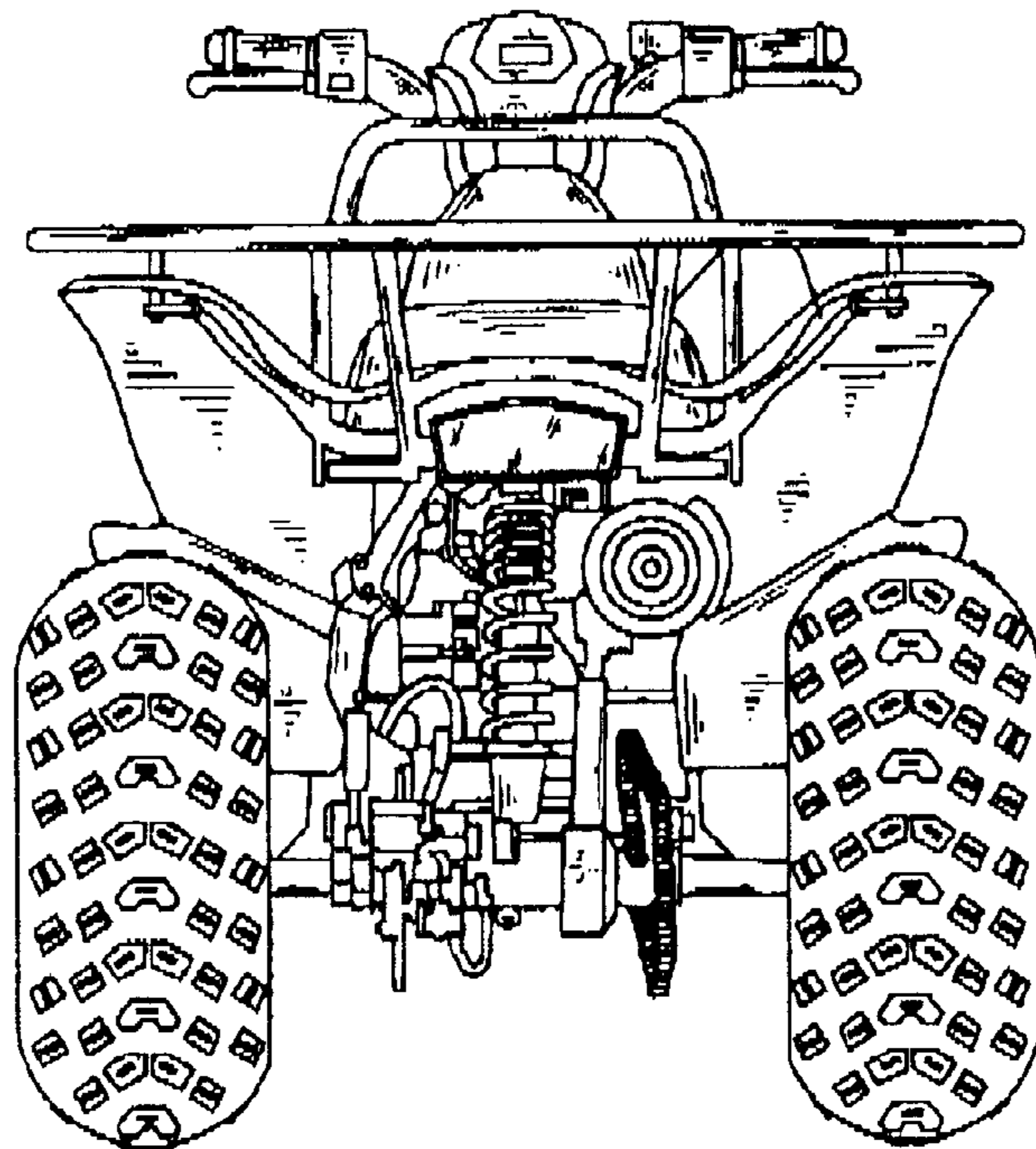


FIG.3

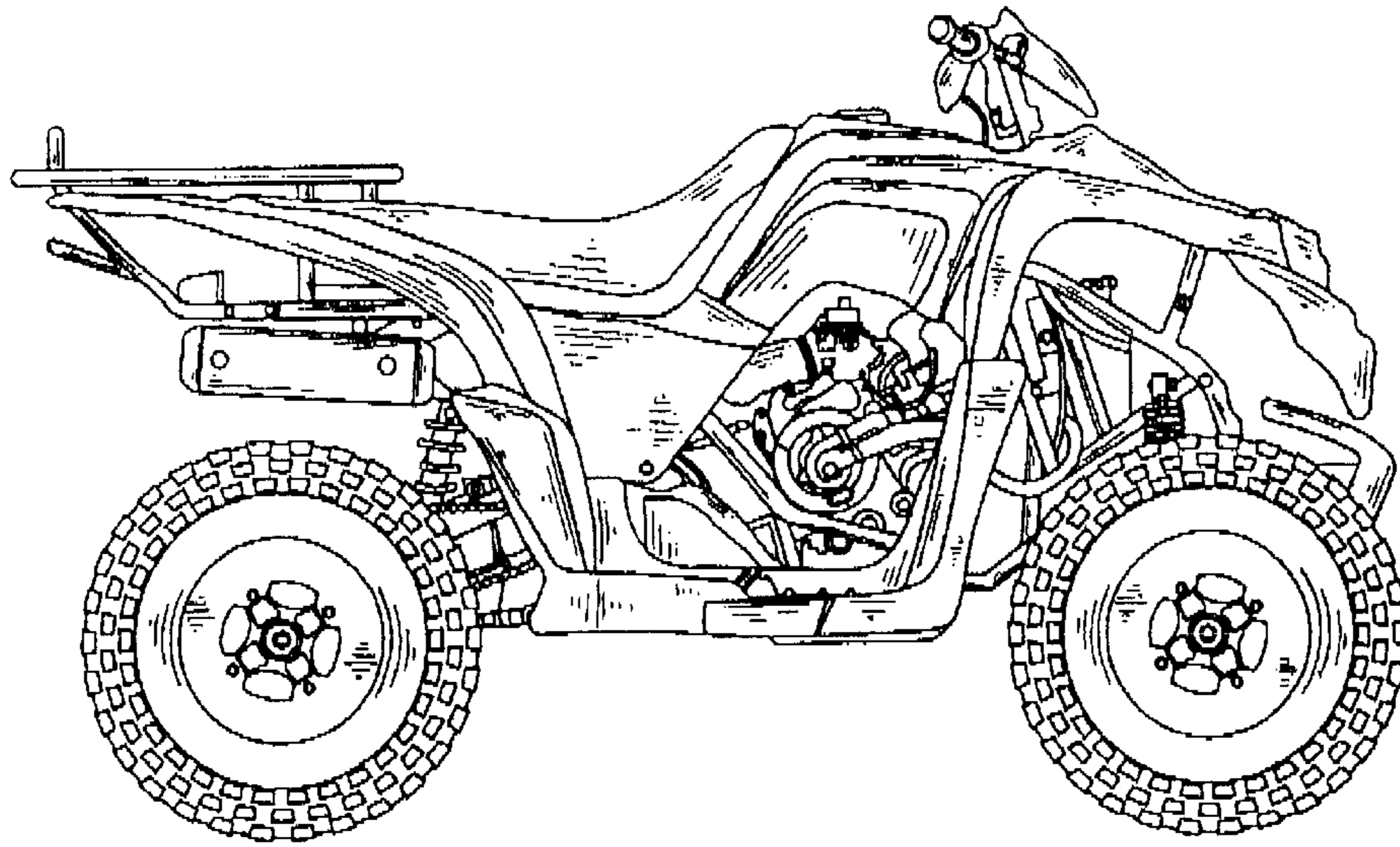


FIG. 4

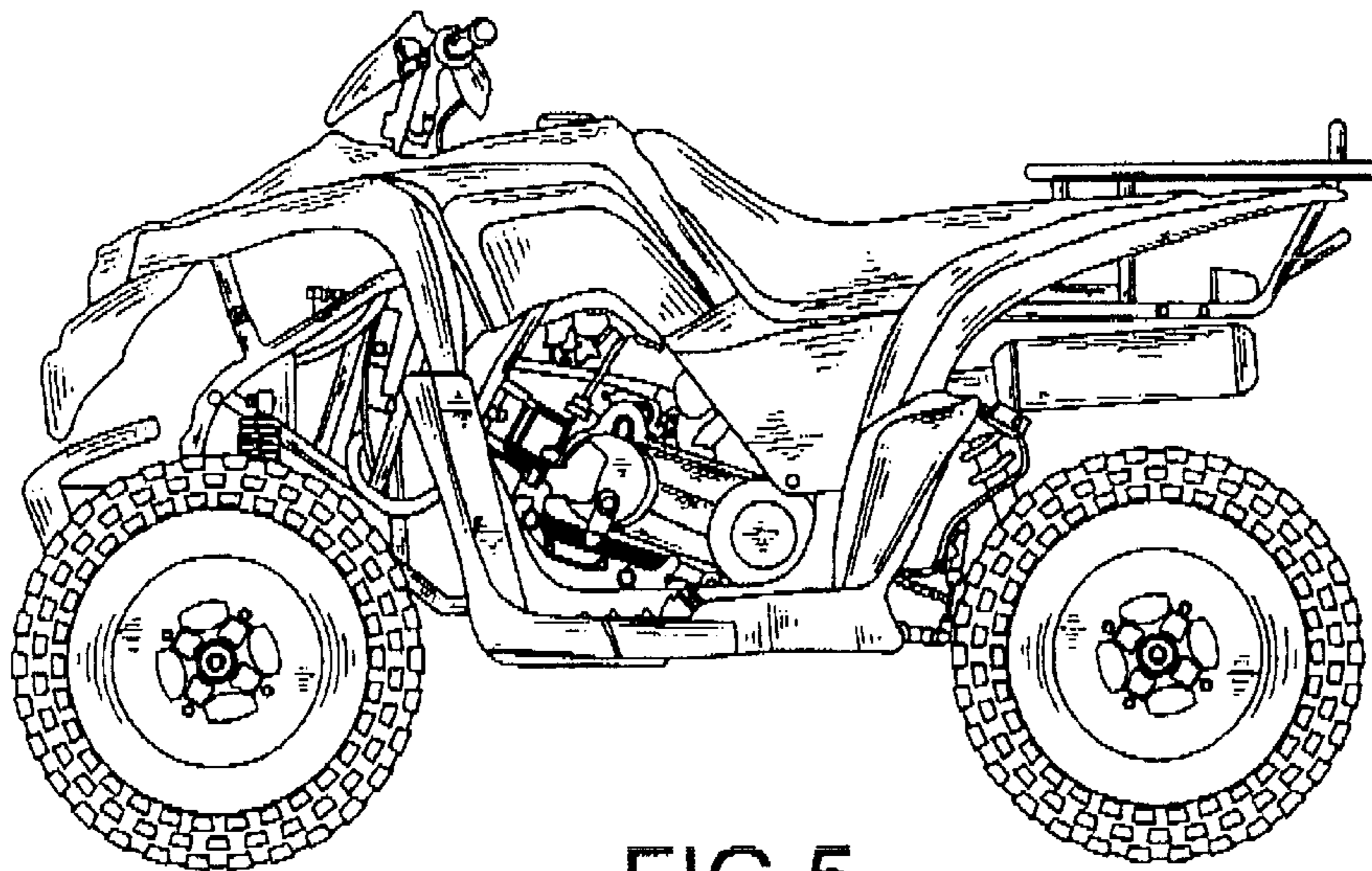


FIG. 5

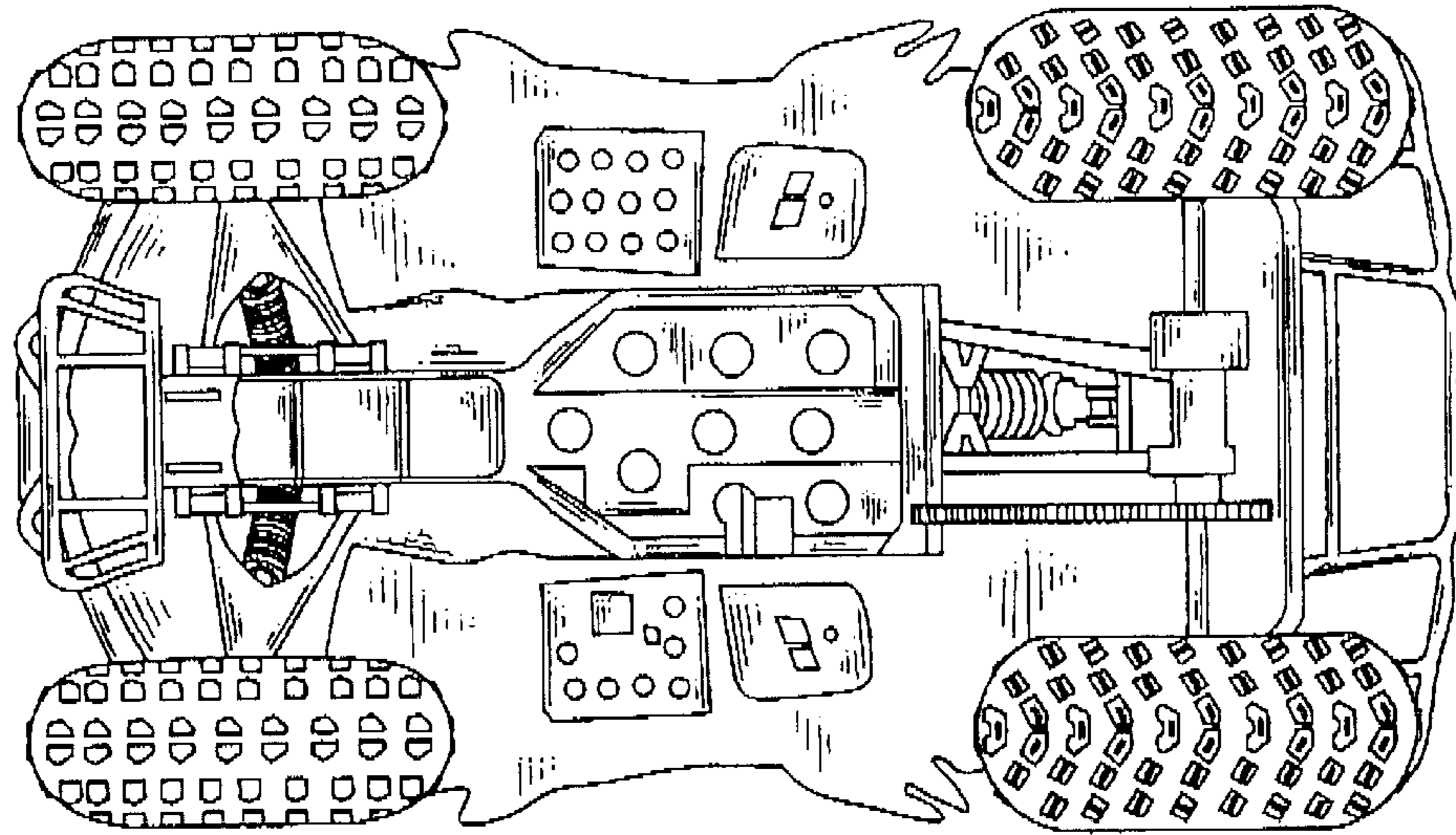


FIG. 7

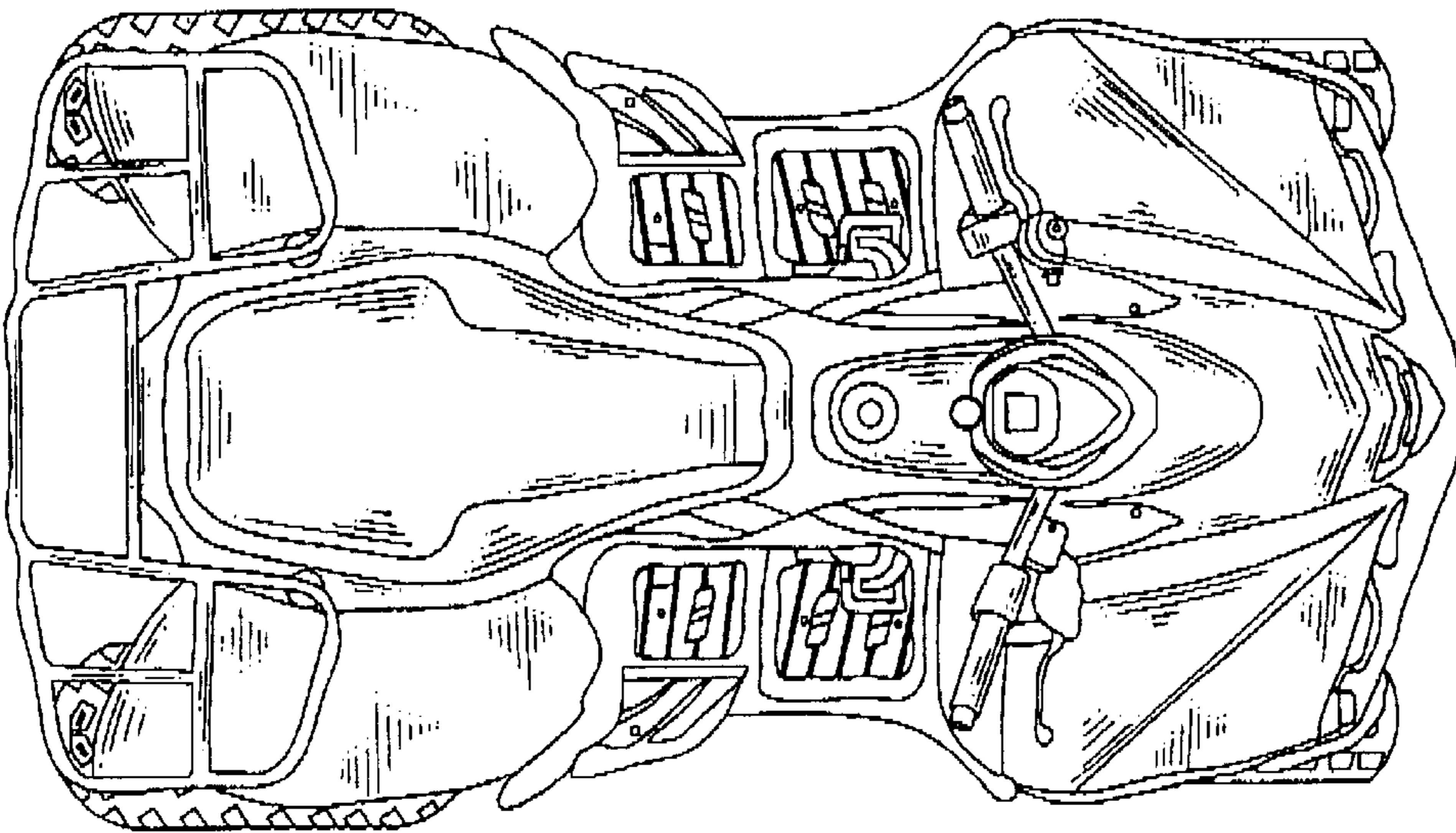


FIG. 6