



US00D523779S

(12) **United States Design Patent**
Mattila

(10) **Patent No.:** **US D523,779 S**
(45) **Date of Patent:** **** Jun. 27, 2006**

(54) **SINGLE-WHEEL MOTORCYCLE TRAILER COLLAPSIBLE FOR STORAGE**

(76) Inventor: **Gregory L. Mattila**, 2052 Spruce St., Woodland, WA (US) 98674-9631

(**) Term: **14 Years**

(21) Appl. No.: **29/178,649**

(22) Filed: **Mar. 27, 2003**

(51) **LOC (8) Cl.** **12-10**

(52) **U.S. Cl.** **D12/101**

(58) **Field of Classification Search** D12/101,
D12/102, 114; 280/204, 282, 7.14, 78, 656,
280/492

See application file for complete search history.

(56) **References Cited**

U.S. PATENT DOCUMENTS

D269,961 S	*	8/1983	Law	D12/101
4,413,835 A		11/1983	Hazelett		
4,484,759 A		11/1984	Zwick		
4,511,155 A		4/1985	Galloway		
D281,312 S	*	11/1985	Russell	D12/101
D336,869 S	*	6/1993	Leib et al.	D12/101
5,240,266 A		8/1993	Kelley et al.		
D414,720 S	*	10/1999	Everett	D12/101
6,042,138 A	*	3/2000	Shreck	280/492
D477,797 S	*	7/2003	McCoy et al.	D12/101

OTHER PUBLICATIONS

Internet "Welcome" pp. 1-2 from "www.singlewheel.com" dated Mar. 26, 2003.

Internet "Other Manufacturers" pp. 1-2 from "www.singlewheel.com" dated Mar. 26, 2003, including two enlarged images of an accordion-like folding trailer.

* cited by examiner

Primary Examiner—Melody N. Brown

(57) **CLAIM**

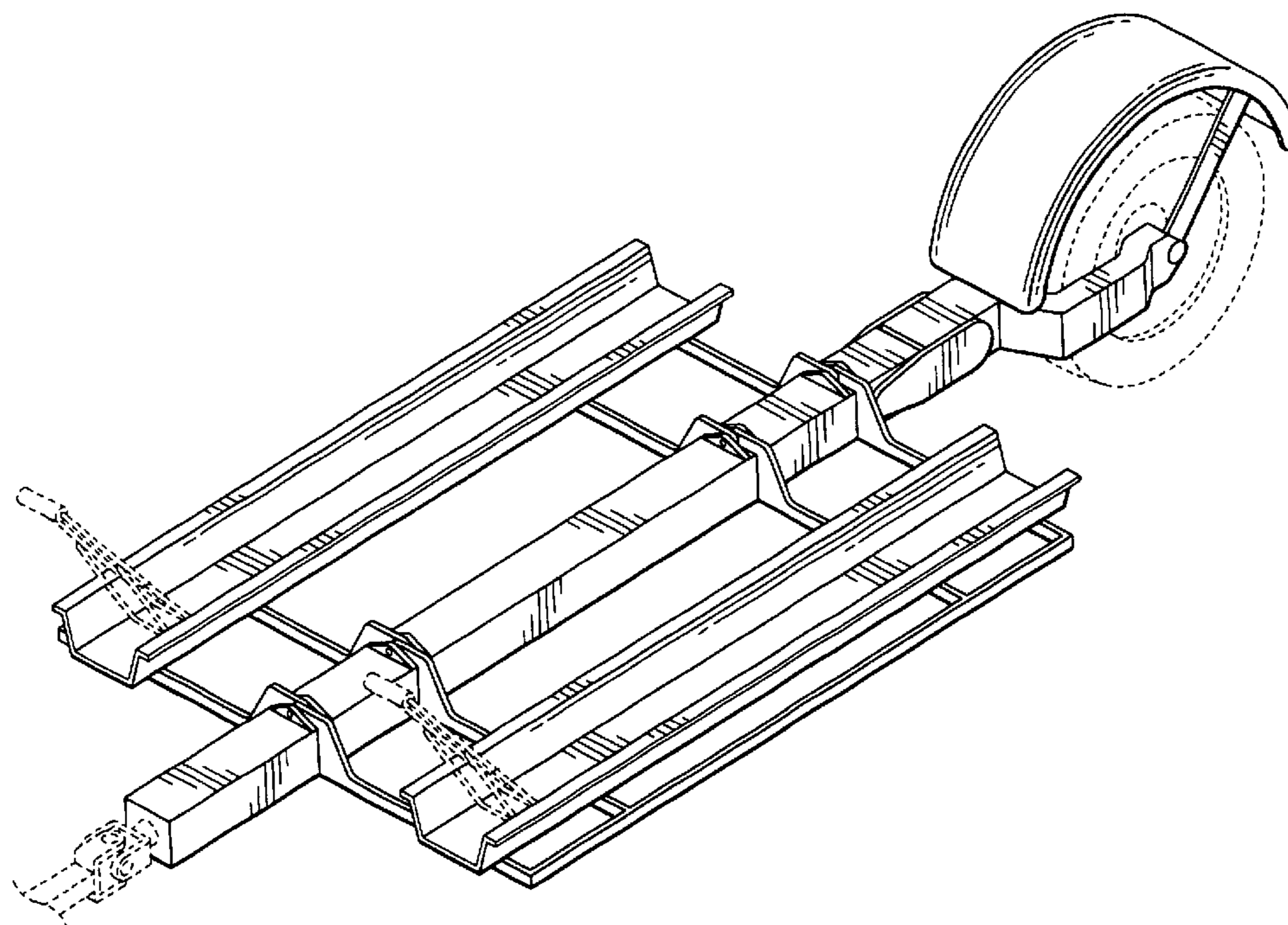
The ornamental design for a single-wheel motorcycle trailer collapsible for storage, substantially as shown and described.

DESCRIPTION

FIG. 1 is a perspective view of a single-wheel motorcycle trailer collapsible for storage in accordance with the present invention, shown in an open state for towing behind a vehicle and transporting one or two motorcycles thereon; FIG. 2 is a right side view thereof; FIG. 3 is a left side view thereof; FIG. 4 is a front elevational view thereof; FIG. 5 is a rear elevational view thereof; FIG. 6 is a top plan view thereof; FIG. 7 is a bottom plan view thereof; and, FIG. 8 is a perspective view thereof, shown in a collapsed state for storing the trailer in a confined space when not use, with the support braces being rotated clockwise (with respect to the view of FIG. 1) into a collapsed storage position.

The broken lines shown in FIGS. 1 through 8 are for illustrative purposes only as optional equipment, and form no part of the claimed design.

1 Claim, 5 Drawing Sheets



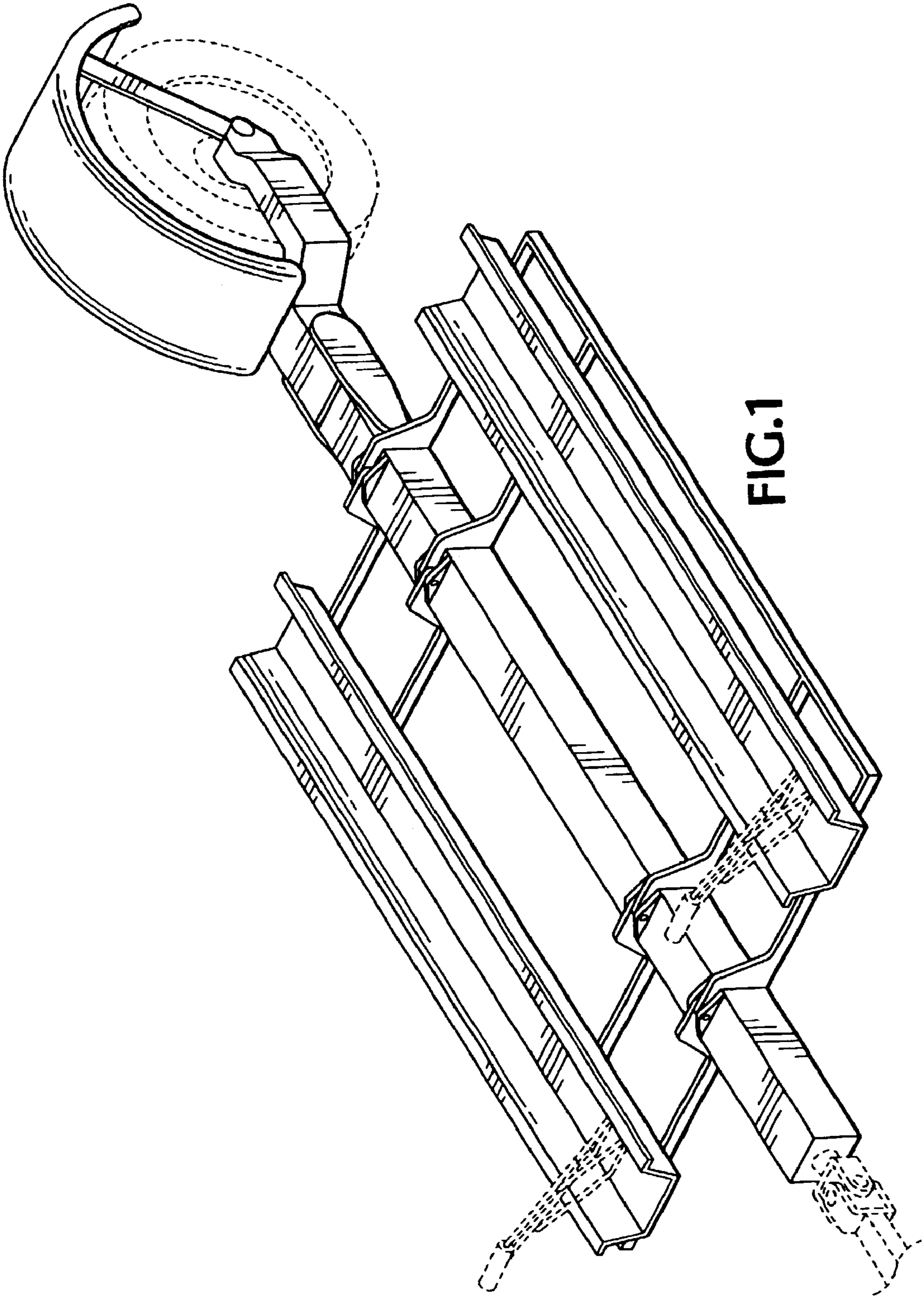


FIG.1

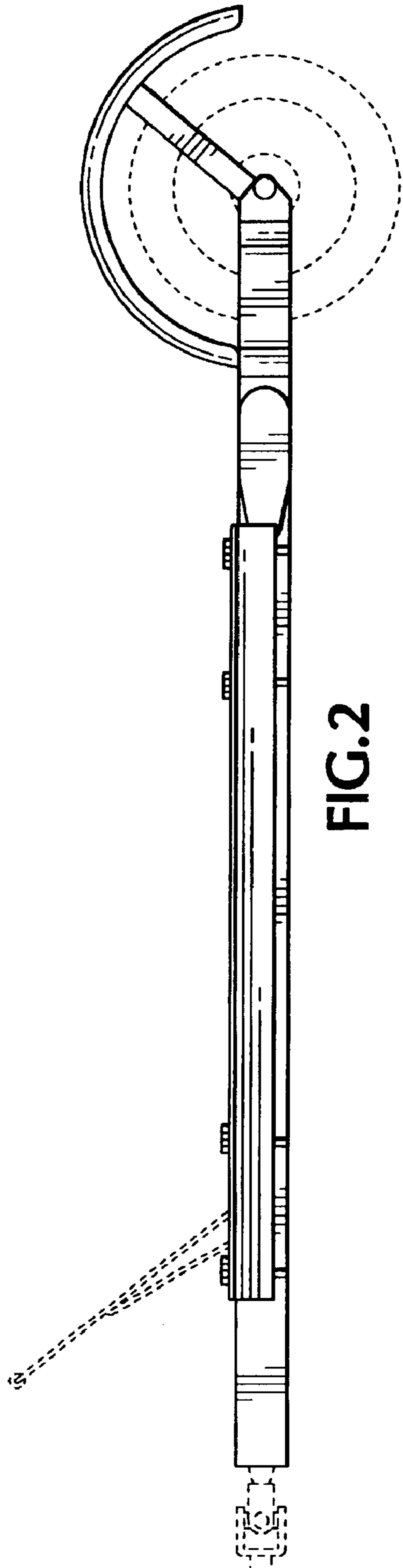


FIG. 2

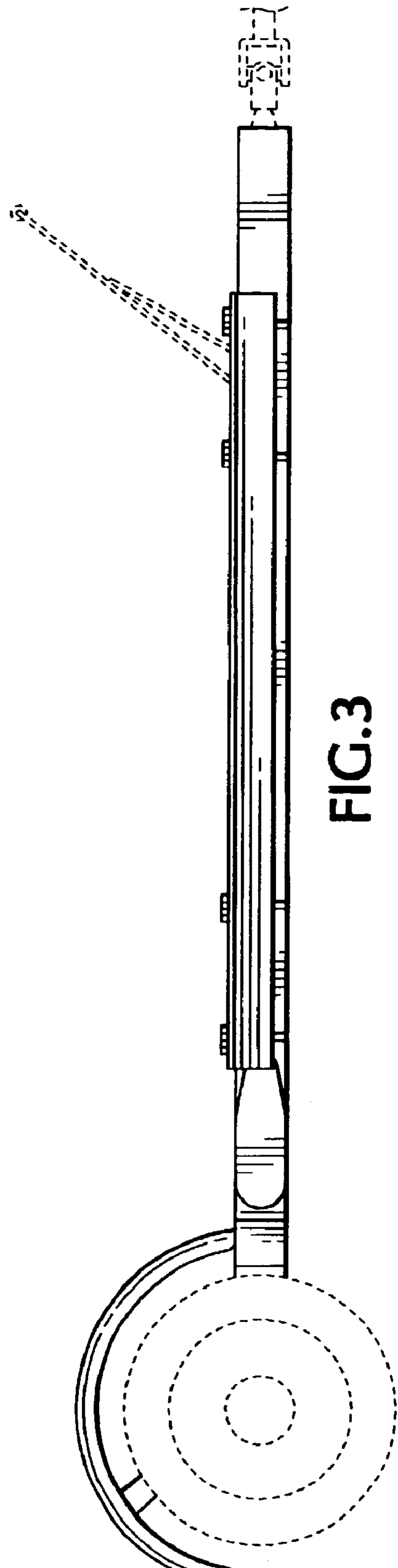
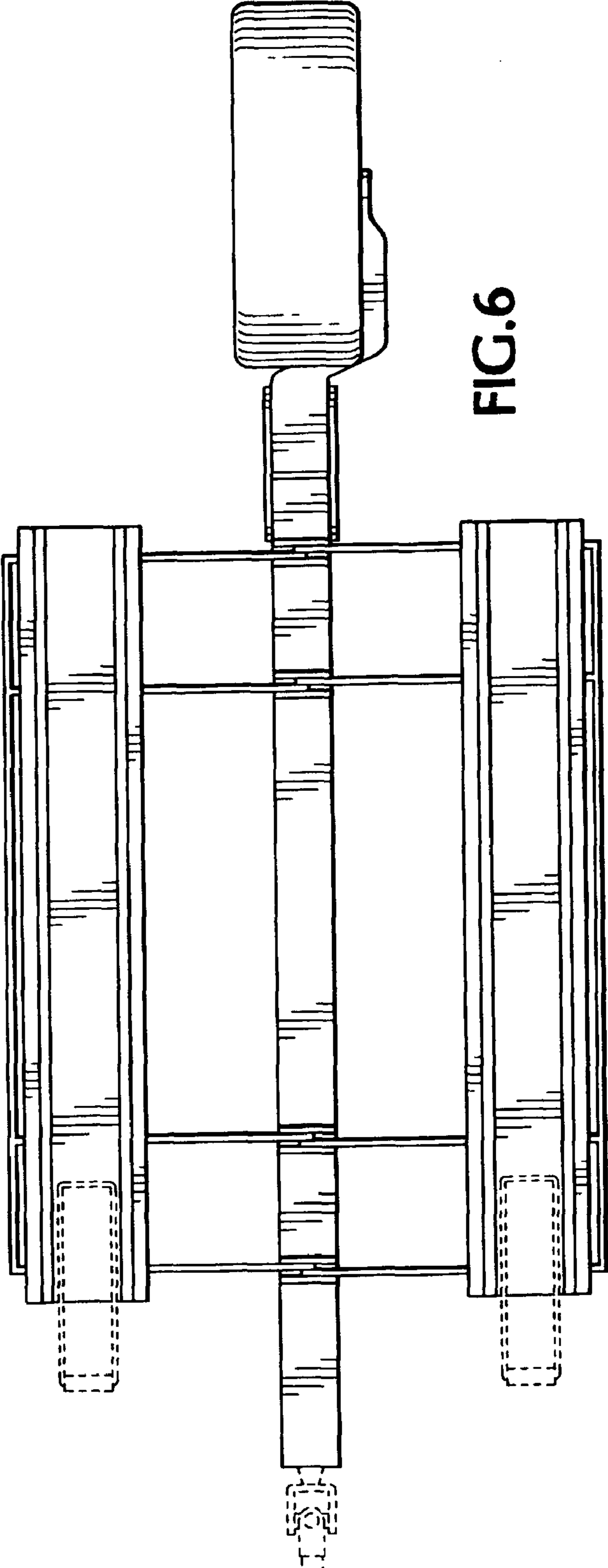
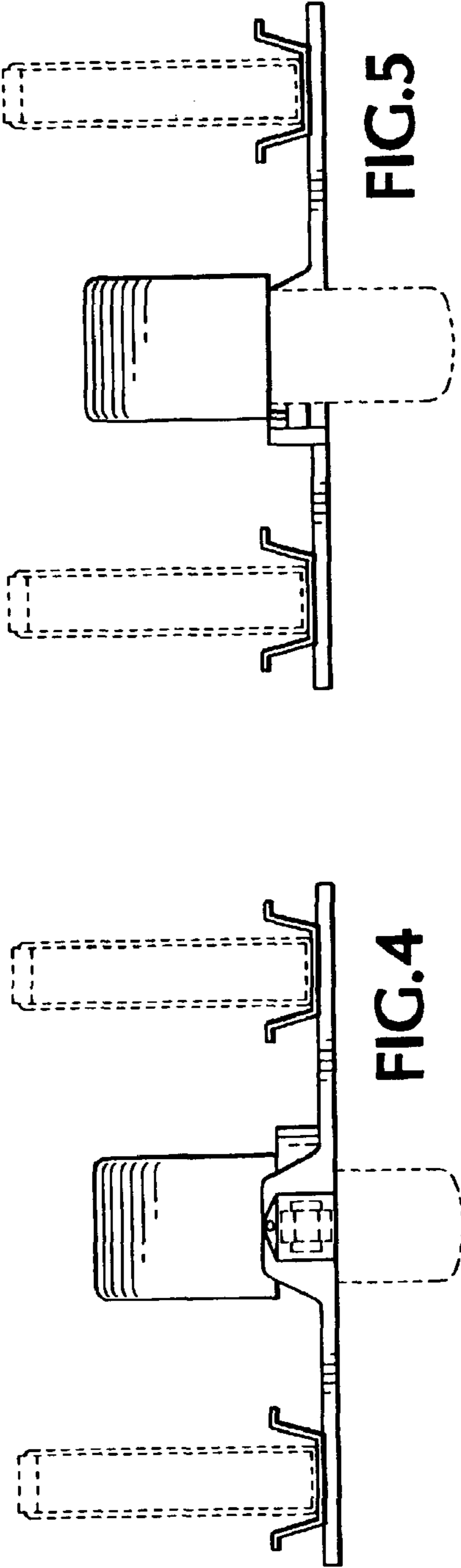


FIG. 3



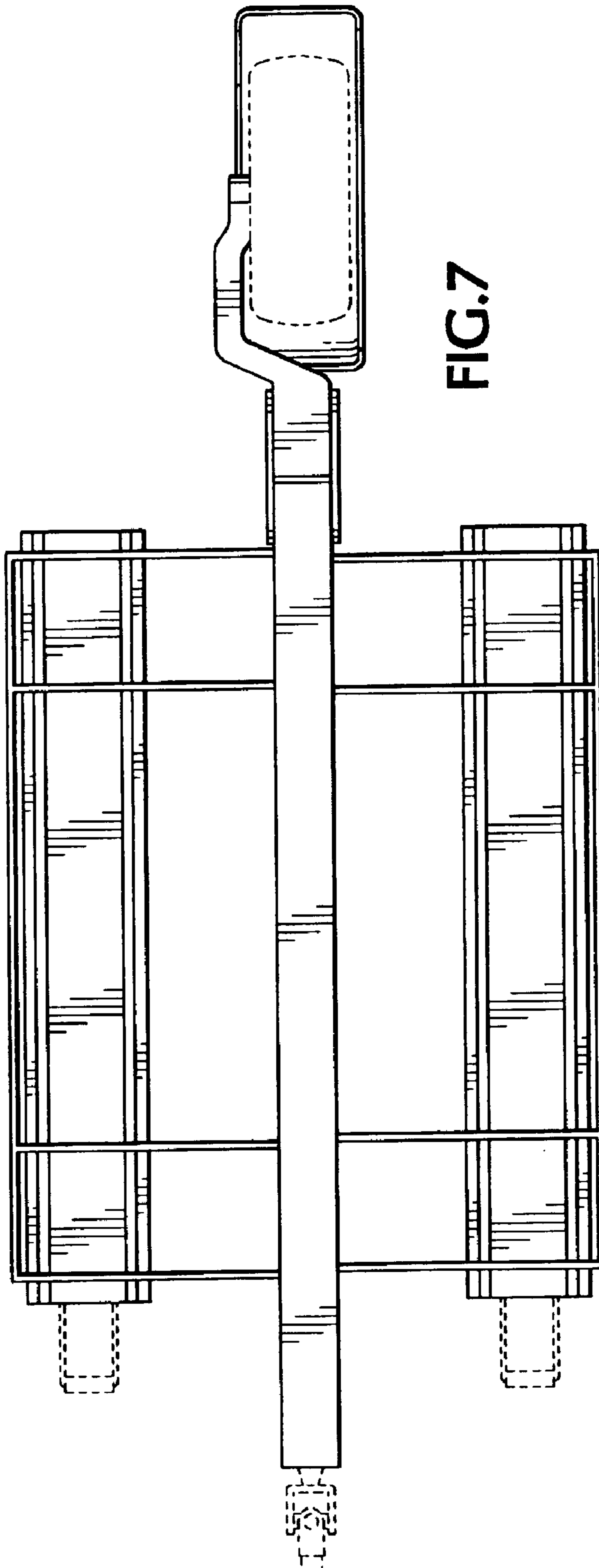


FIG. 7

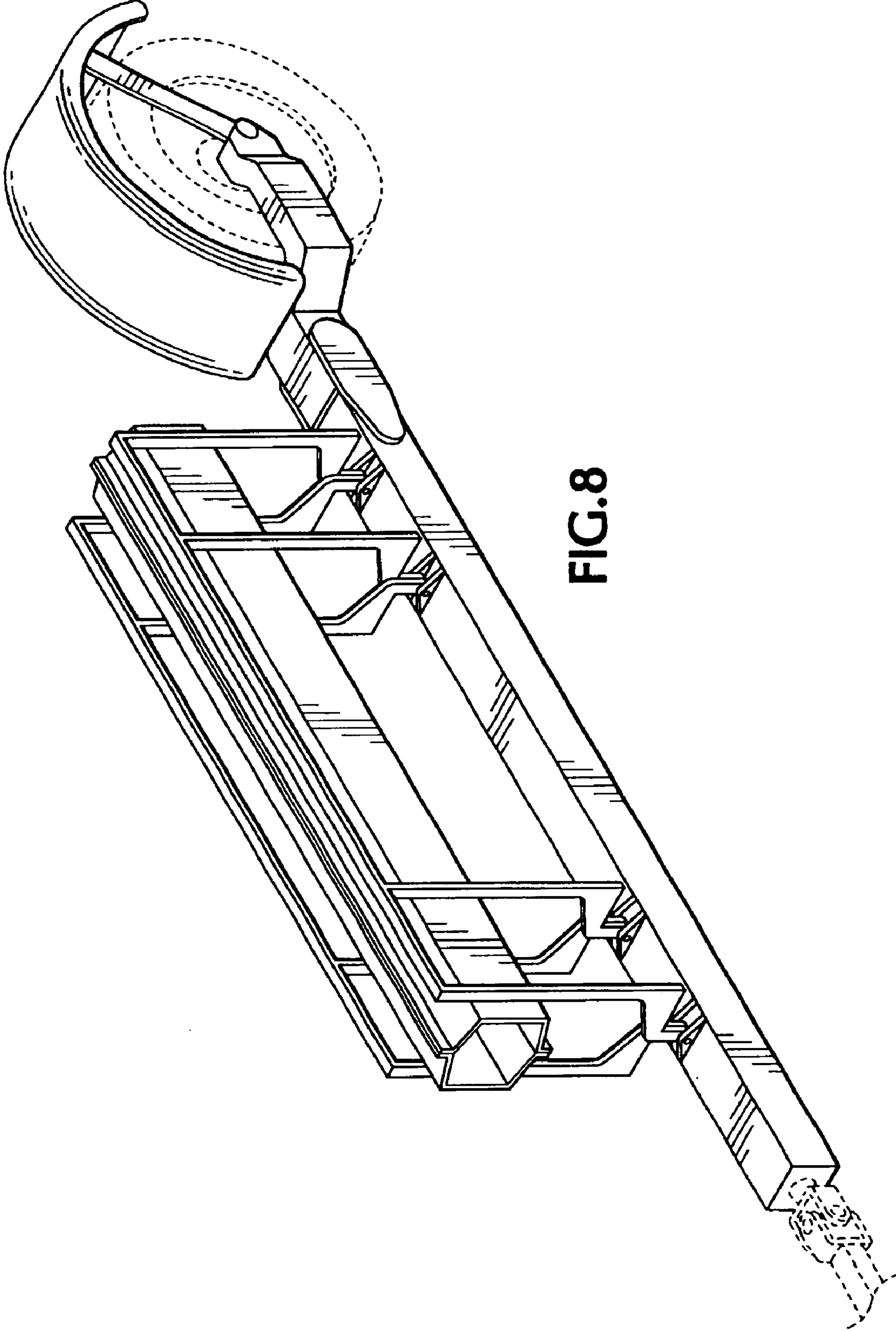


FIG.8