

US00D523775S

(12) **United States Design Patent**  
**Walden**

(10) **Patent No.:** **US D523,775 S**  
(45) **Date of Patent:** **\*\* Jun. 27, 2006**

(54) **AFTER-MARKET C4 FRAME FOR 1963-1967  
MODEL YEAR CHEVROLET CORVETTES**

(76) **Inventor:** **Tray Walden**, 2270 Hwy. 31, South  
Athens, AL (US) 35611

(\*\*) **Term:** **14 Years**

(21) **Appl. No.:** **29/188,527**

(22) **Filed:** **Aug. 20, 2003**

(51) **LOC (8) Cl.** ..... **12-08**

(52) **U.S. Cl.** ..... **D12/86**

(58) **Field of Classification Search** ..... D12/82,  
D12/86, 90-92; 296/181.1, 181.5; 280/781-787,  
280/797; 180/311, 312; 29/429, 897.2

See application file for complete search history.

(56) **References Cited**

**U.S. PATENT DOCUMENTS**

4,810,028	A	*	3/1989	Henricks	.....	296/187.03
D378,076	S	*	2/1997	Whirley et al.	.....	D12/159
D451,050	S	*	11/2001	Cerny et al.	.....	D12/86
6,412,818	B1	*	7/2002	Marando	.....	280/781
D462,300	S	*	9/2002	Cerny et al.	.....	D12/86

D464,913	S	*	10/2002	Cerny et al.	.....	D12/86
6,588,535	B1	*	7/2003	Jones	.....	180/312
6,712,392	B1	*	3/2004	Young et al.	.....	280/781
6,739,624	B1	*	5/2004	Barber et al.	.....	280/781
6,874,816	B1	*	4/2005	Herrmann et al.	.....	280/781
6,880,856	B1	*	4/2005	Chernoff et al.	.....	280/781

\* cited by examiner

*Primary Examiner*—Melody N. Brown

(74) *Attorney, Agent, or Firm*—Lanier Ford Shaver & Payne

(57) **CLAIM**

The ornamental design for an after-market C4 frame for 1963-1967 model year Chevrolet Corvettes, as shown and described.

**DESCRIPTION**

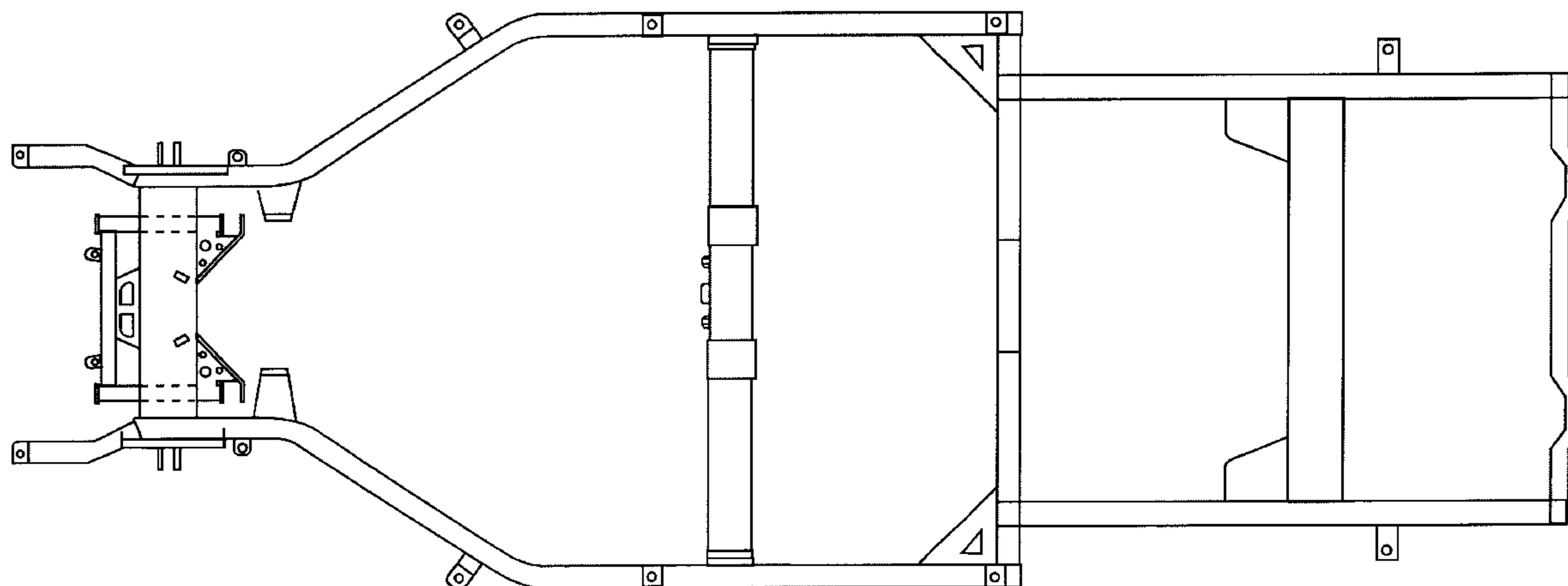
FIG. 1 is a top plan view of an after-market C4 frame for 1963-1967 model year Chevrolet Corvettes showing my new design;

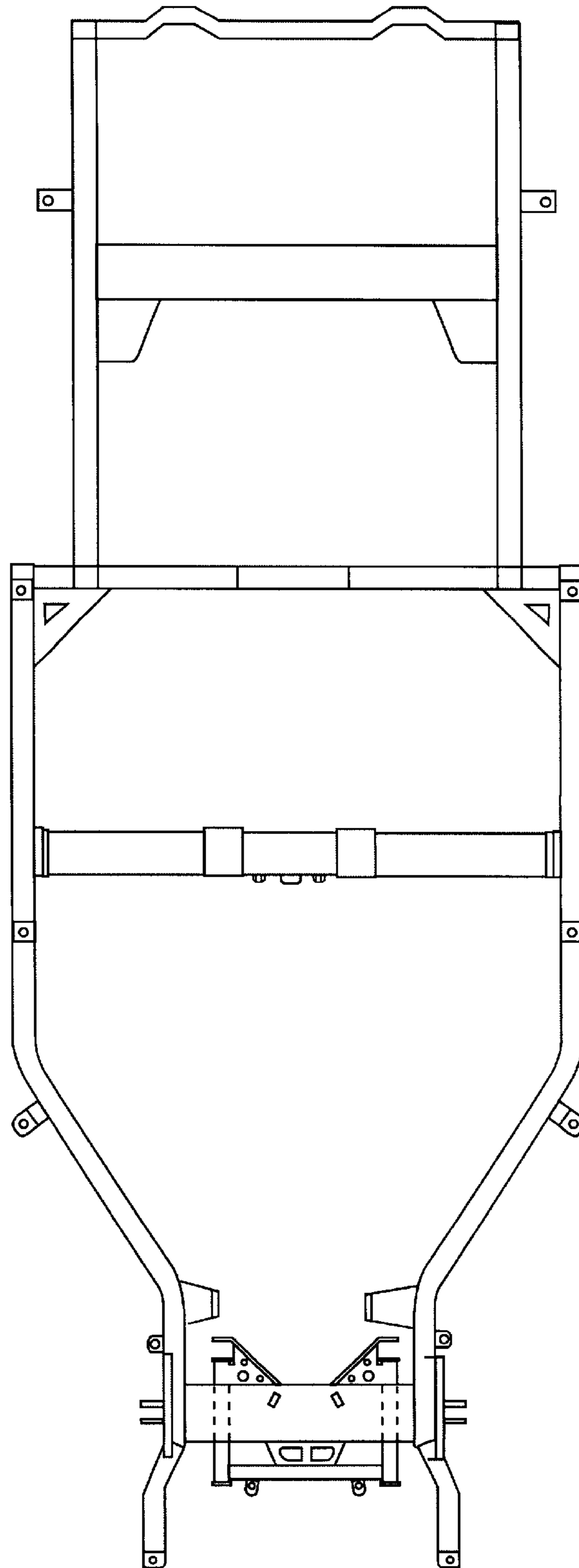
FIG. 2 is a side elevation view thereof;

FIG. 3 is a front elevation view thereof; and,

FIG. 4 is a rear elevation view thereof.

**1 Claim, 3 Drawing Sheets**





*FIGURE 1*

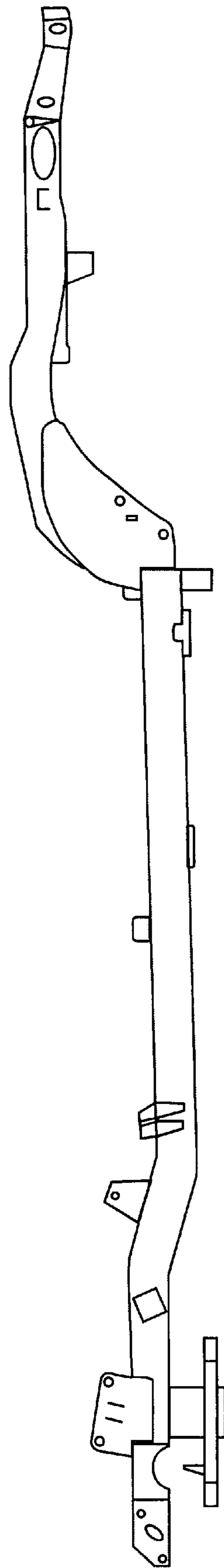
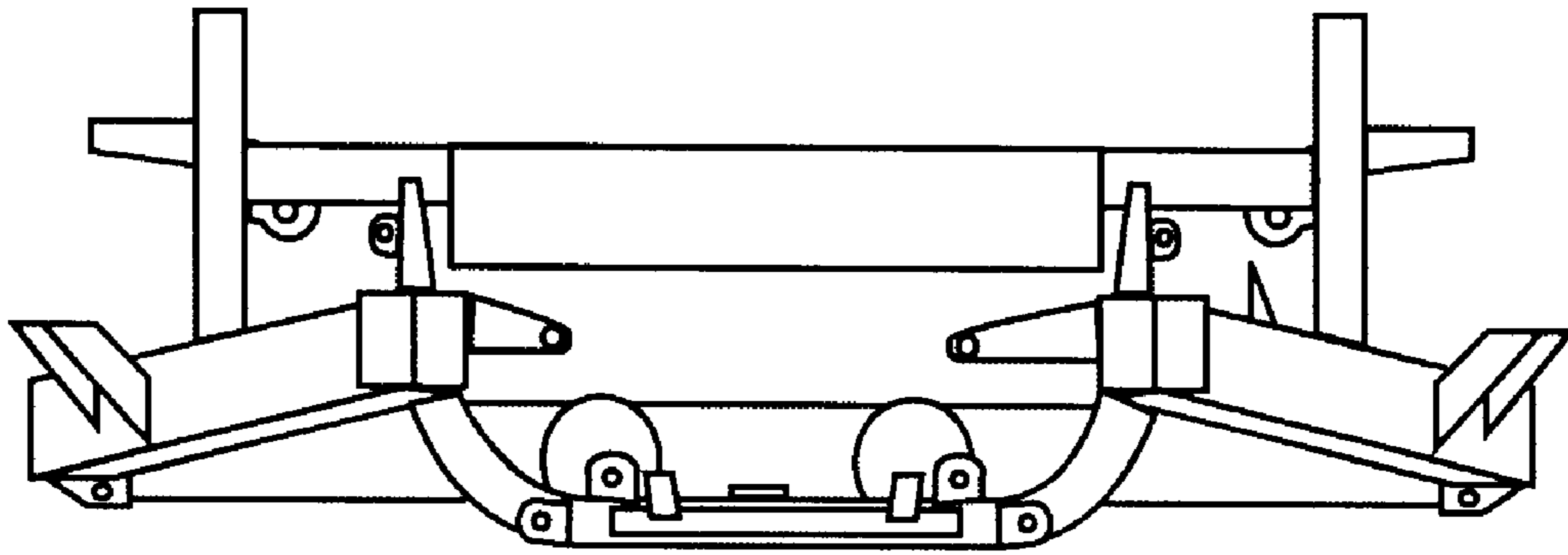
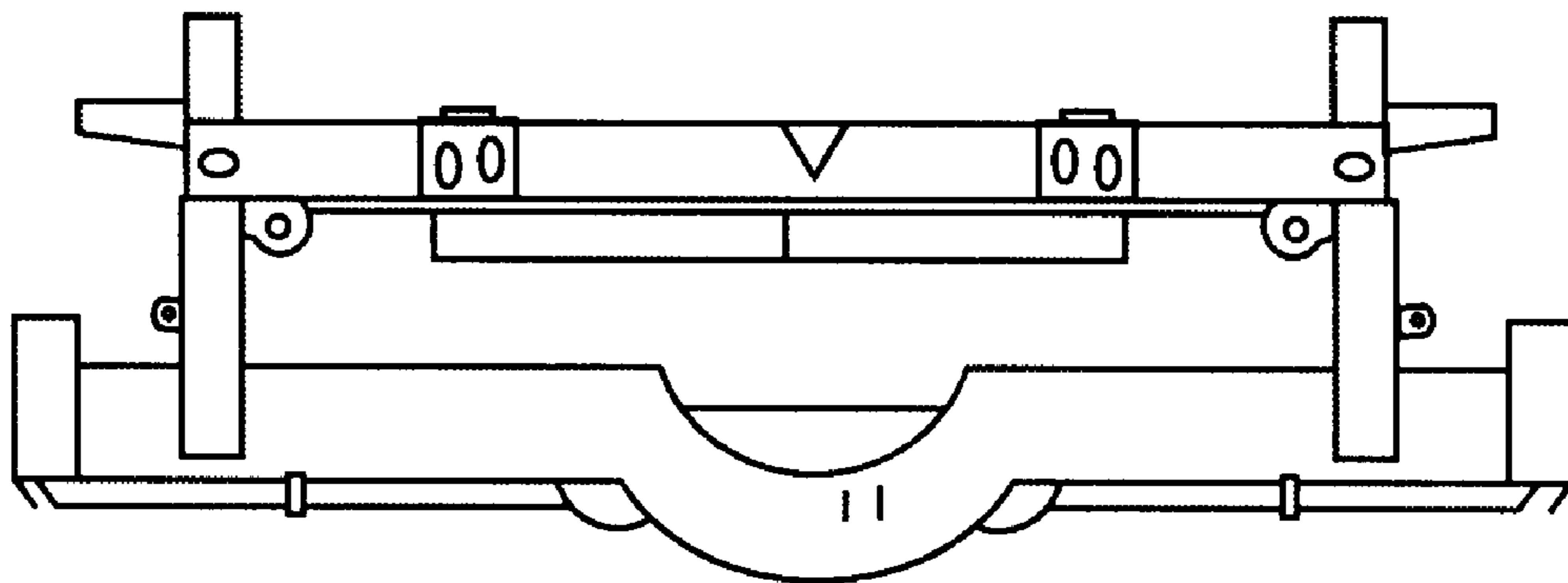


FIGURE 2



**FIGURE 3**



**FIGURE 4**