



US00D523765S

(12) **United States Design Patent**
Wu

(10) **Patent No.:** **US D523,765 S**
(45) **Date of Patent:** **** Jun. 27, 2006**

(54) **VEHICLE GAUGE**
(76) **Inventor:** **Tsung Min Wu**, No. 11, Lane 181, Sec. 3, Hai-An Road, Tainan City (TW)
(**) **Term:** **14 Years**

D482,282 S * 11/2003 Angeletta D9/451
6,854,350 B1 * 2/2005 Ayres 73/866.3
D504,337 S * 4/2005 Price et al. D10/65
D504,633 S * 5/2005 Tyner et al. D10/65
D504,838 S * 5/2005 Tyner et al. D10/65
D507,979 S * 8/2005 Robinson et al. D10/65
D510,285 S * 10/2005 Skelton et al. D10/65

(21) **Appl. No.:** **29/222,340**

* cited by examiner

(22) **Filed:** **Jan. 31, 2005**

Primary Examiner—Antoine D. Davis

(51) **LOC (8) Cl.** **10-04**

(74) *Attorney, Agent, or Firm*—Rosenberg, Klein & Lee

(52) **U.S. Cl.** **D10/65; D10/102**

(57) **CLAIM**

(58) **Field of Classification Search** D10/65,
D10/102, 103; 342/357.06, 357.09, 357.1,
342/357.13; 343/702; 345/156, 158, 824;
455/12.1, 86, 406; 700/17; 701/206–209,
701/213–214

The ornamental design for a vehicle gauge, as shown and described.

See application file for complete search history.

DESCRIPTION

(56) **References Cited**

FIG. 1 is a perspective view of a vehicle gauge showing my design;

U.S. PATENT DOCUMENTS

D456,754 S * 5/2002 Keating D12/192
D459,667 S * 7/2002 Kataoka D10/65
D467,512 S * 12/2002 Miyazaki D10/65
D469,705 S * 2/2003 Siegert et al. D10/65
D475,642 S * 6/2003 Murdock et al. D10/65

FIG. 2 is a left elevational view thereof;

FIG. 3 is a right elevational view thereof;

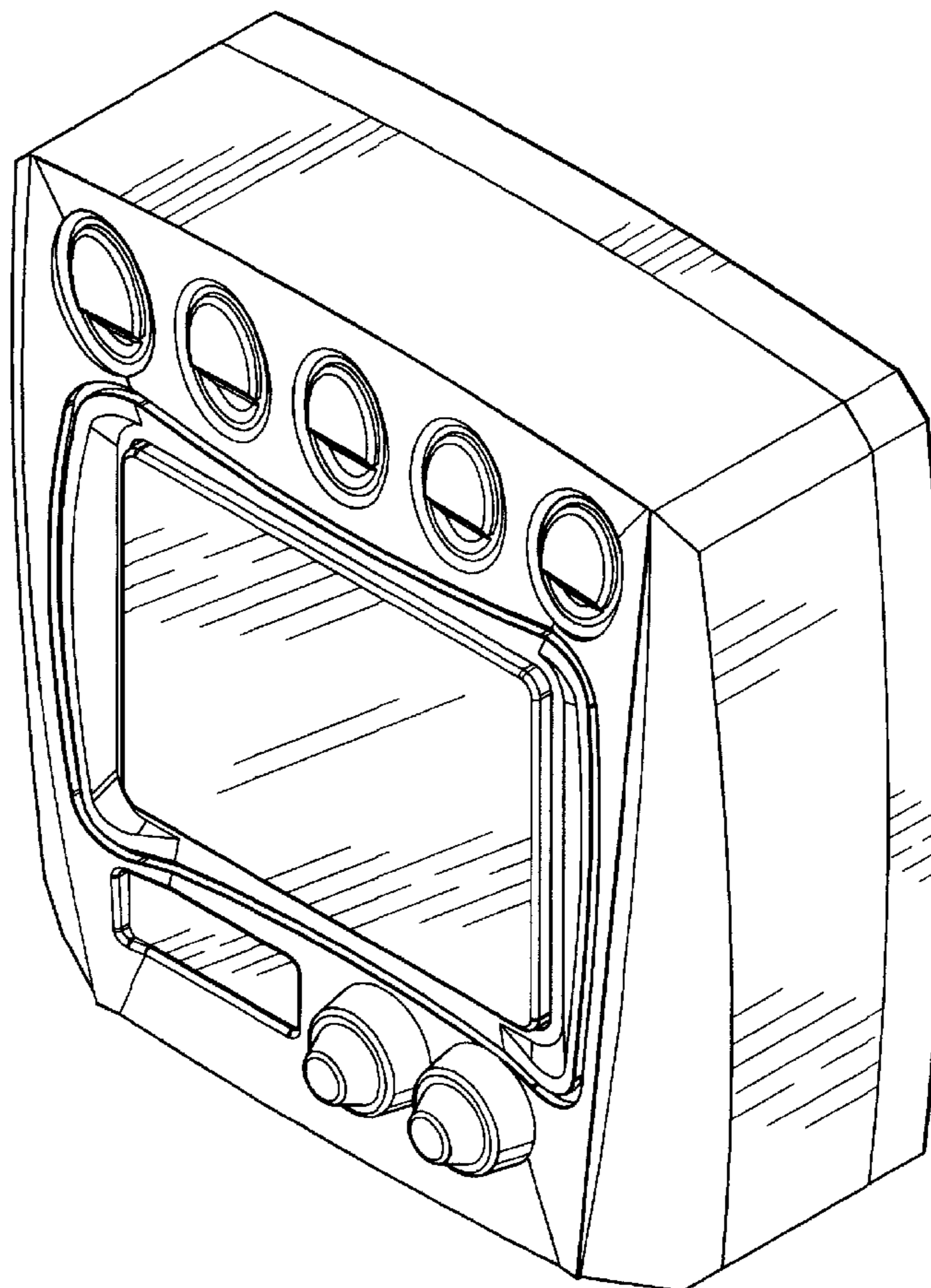
FIG. 4 is a front elevational view thereof;

FIG. 5 is a rear elevational view thereof;

FIG. 6 is a top plan view thereof; and,

FIG. 7 is a bottom plan view thereof.

1 Claim, 7 Drawing Sheets



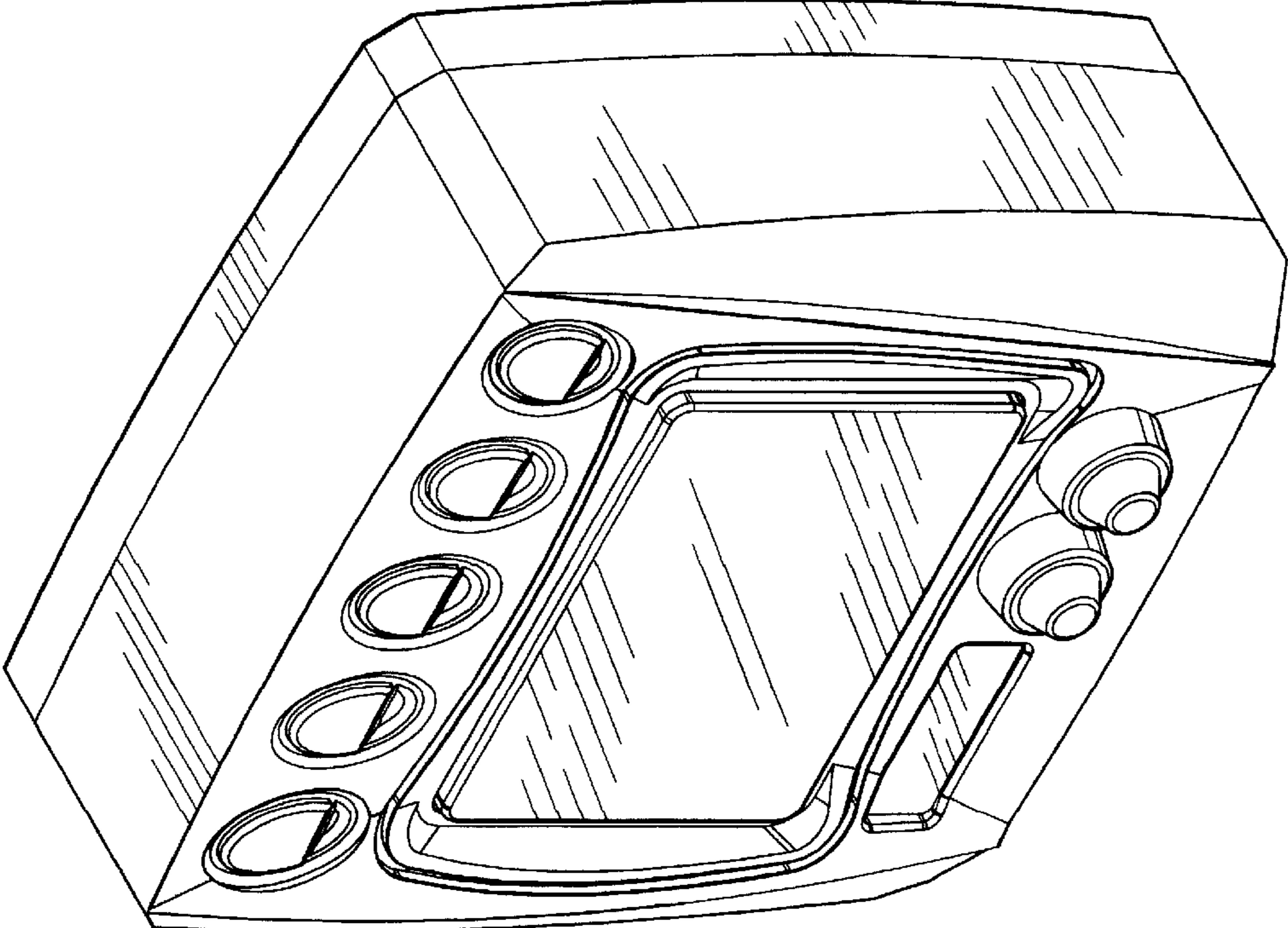


FIG 1

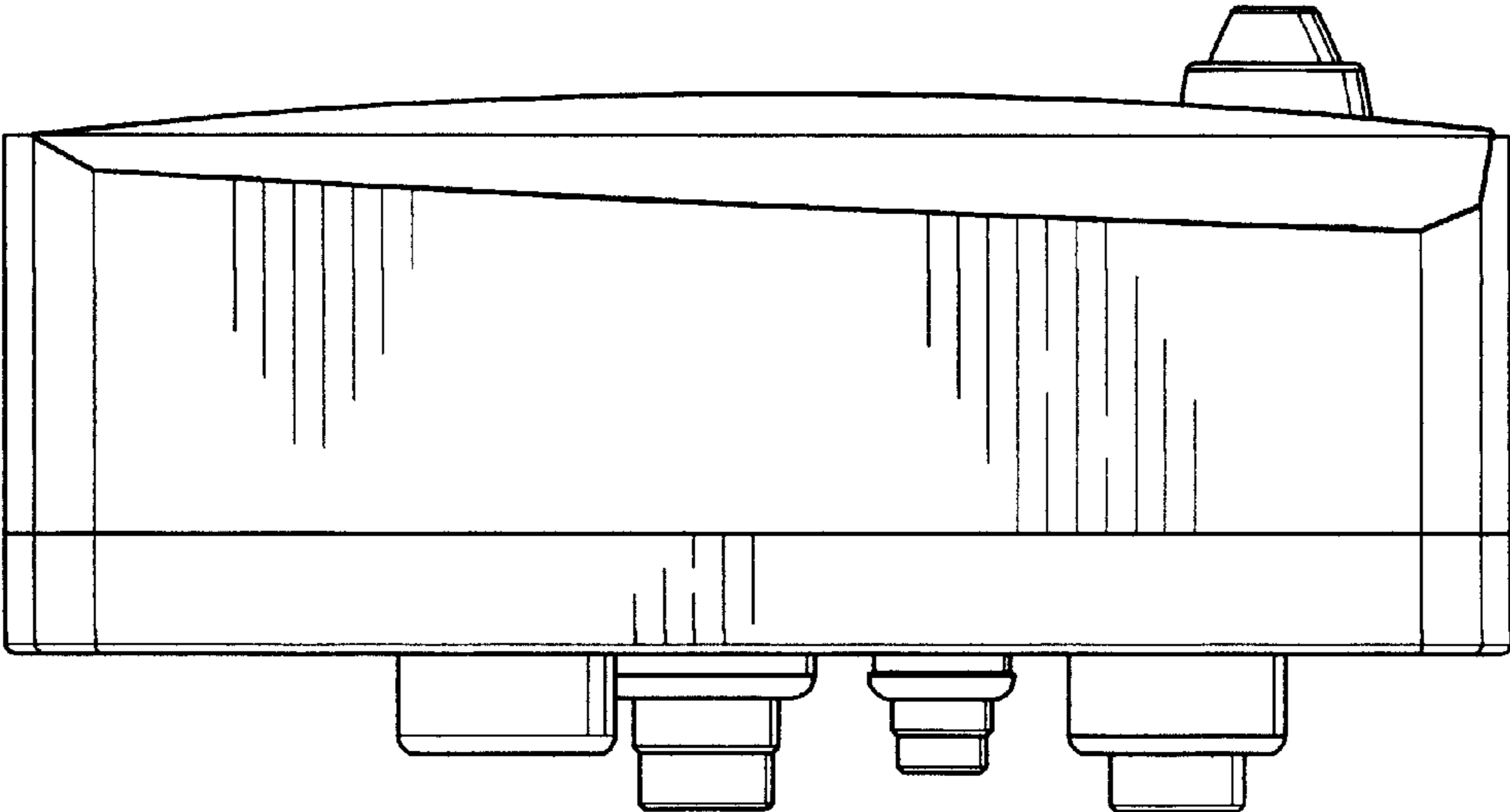


FIG 2

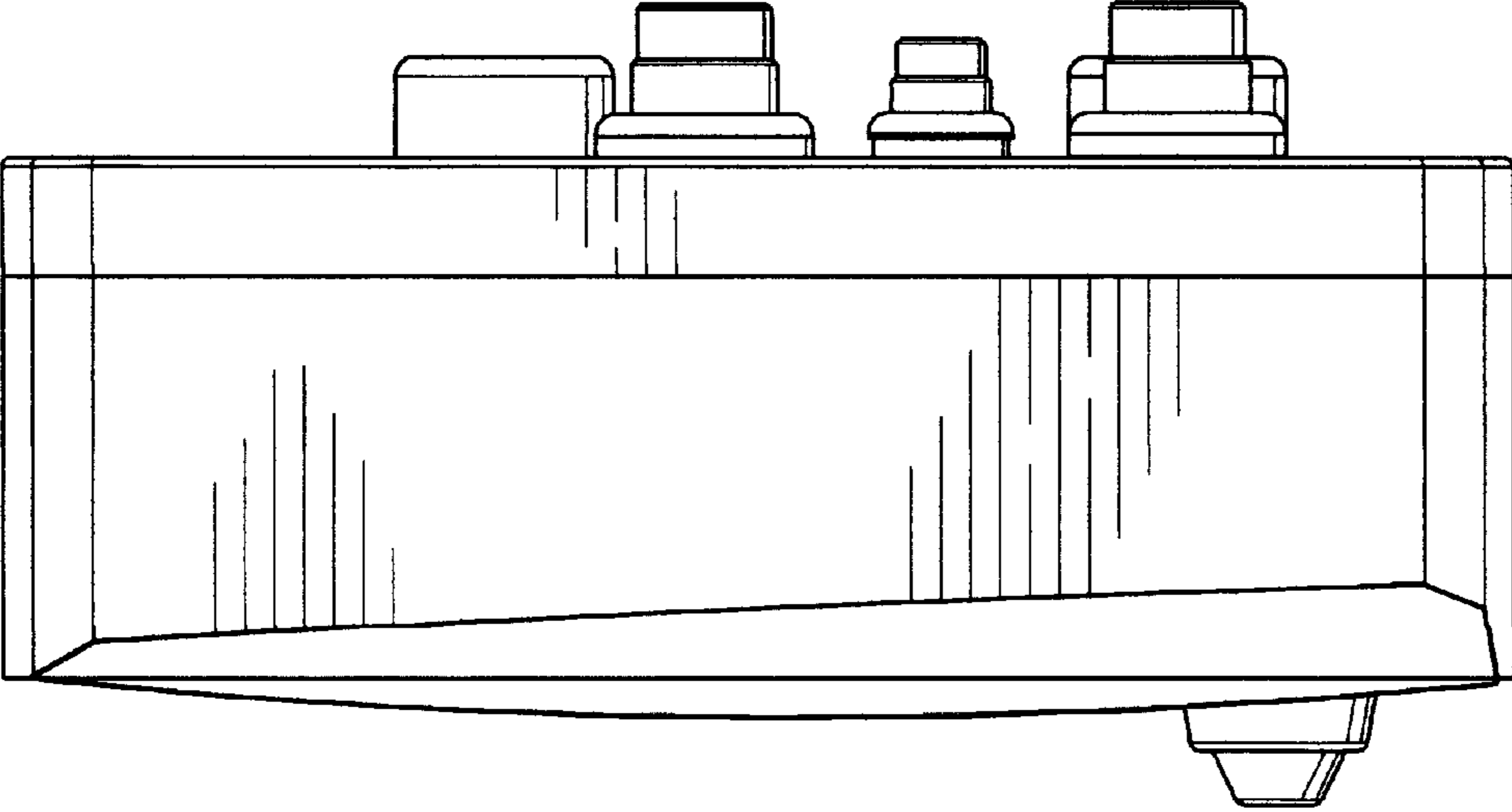


FIG 3

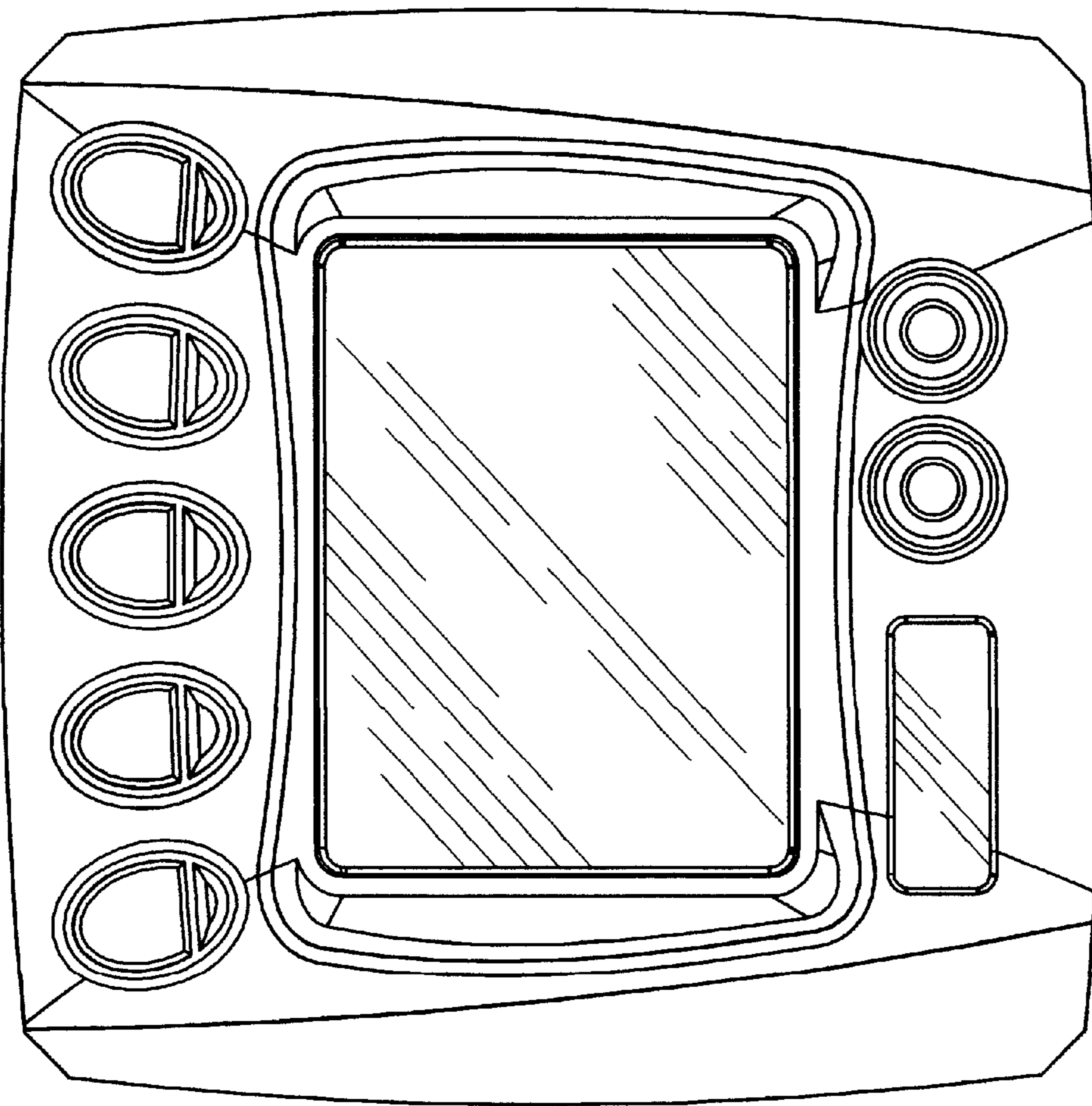


FIG 4

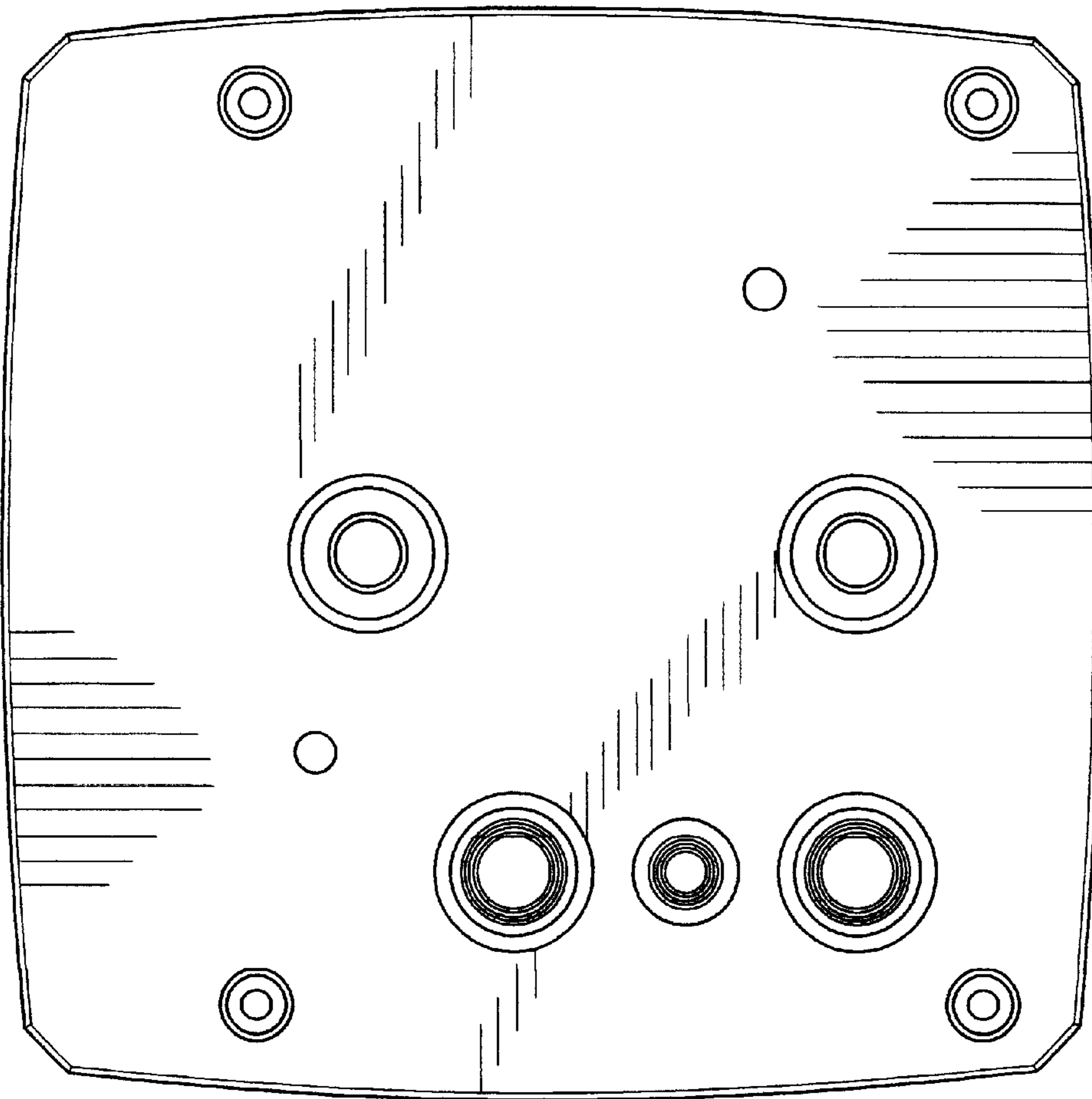


FIG 5

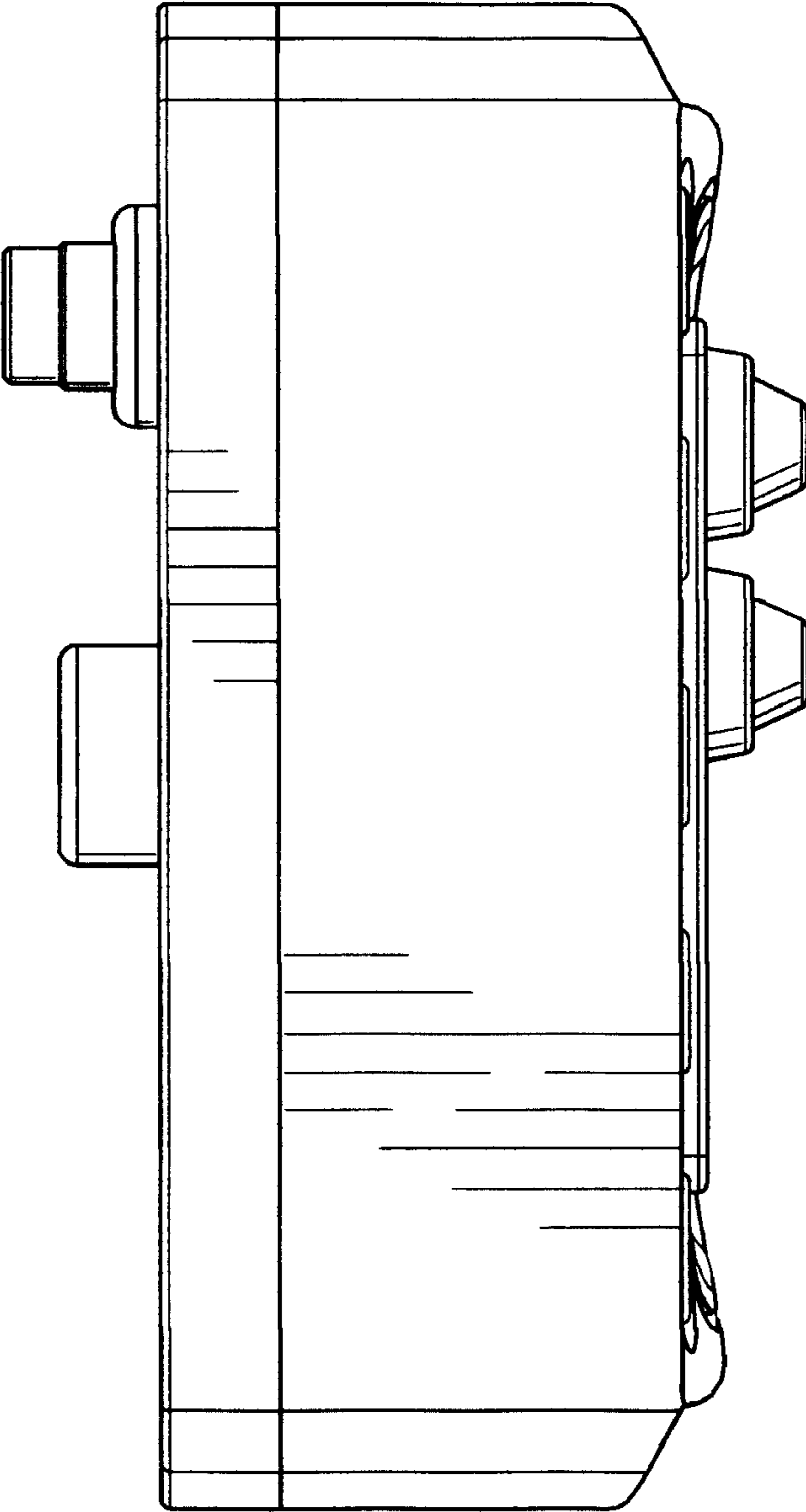


FIG 6

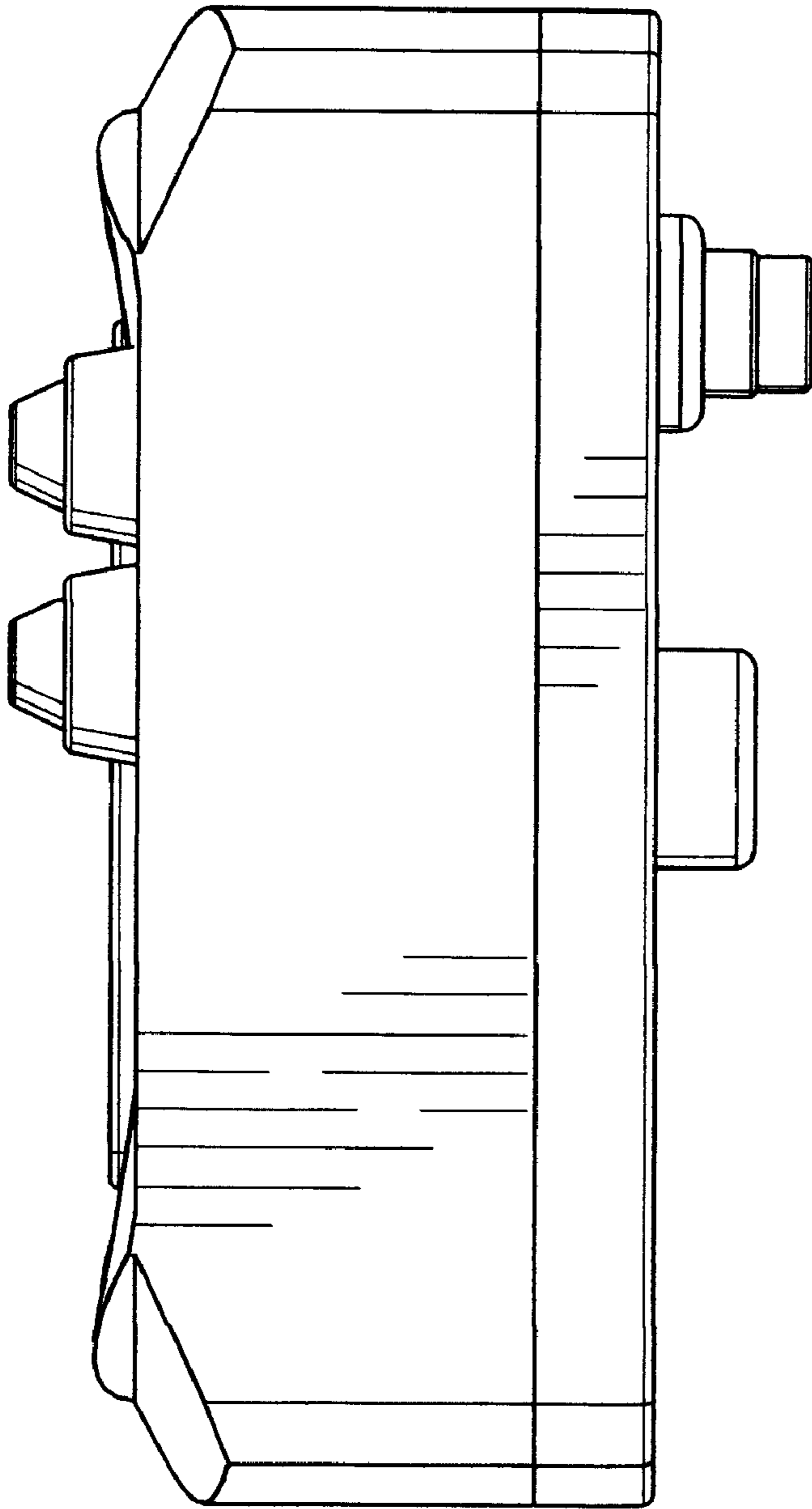


FIG 7