

US00D523764S

(12) **United States Design Patent**
Wu

(10) **Patent No.:** **US D523,764 S**

(45) **Date of Patent:** **** Jun. 27, 2006**

(54) **VEHICLE GAUGE**

(76) **Inventor:** **Tsung Min Wu**, No. 11, Lane 181, Sec. 3, Hai-An Road, Tainan City (TW)

(**) **Term:** **14 Years**

(21) **Appl. No.:** **29/222,339**

(22) **Filed:** **Jan. 31, 2005**

(51) **LOC (8) Cl.** **10-04**

(52) **U.S. Cl.** **D10/65; D10/102**

(58) **Field of Classification Search** D10/65,
D10/102, 103; 342/357.06, 357.09, 357.1,
342/357.13; 343/702; 345/156, 158, 824;
455/12.1, 86, 406; 700/17; 701/206-209,
701/213-214

See application file for complete search history.

(56) **References Cited**

U.S. PATENT DOCUMENTS

D456,754 S	*	5/2002	Keating	D12/192
D459,667 S	*	7/2002	Kataoka	D10/65
D467,512 S	*	12/2002	Miyazaki	D10/65
D469,705 S	*	2/2003	Siegert et al.	D10/65
D475,642 S	*	6/2003	Murdock et al.	D10/65

D482,282 S	*	11/2003	Angeletta	D9/451
6,854,350 B1	*	2/2005	Ayres	73/866.3
D504,337 S	*	4/2005	Price et al.	D10/65
D504,633 S	*	5/2005	Tyner et al.	D10/65
D504,838 S	*	5/2005	Tyner et al.	D10/65
D507,979 S	*	8/2005	Robinson et al.	D10/65
D510,285 S	*	10/2005	Skelton et al.	D10/65

* cited by examiner

Primary Examiner—Antoine D. Davis

(74) *Attorney, Agent, or Firm*—Rosenberg, Klein & Lee

(57) **CLAIM**

The ornamental design for a vehicle gauge, as shown and described.

DESCRIPTION

FIG. 1 is a perspective view of a vehicle gauge showing my design;

FIG. 2 is a left elevational view thereof;

FIG. 3 is a right elevational view thereof;

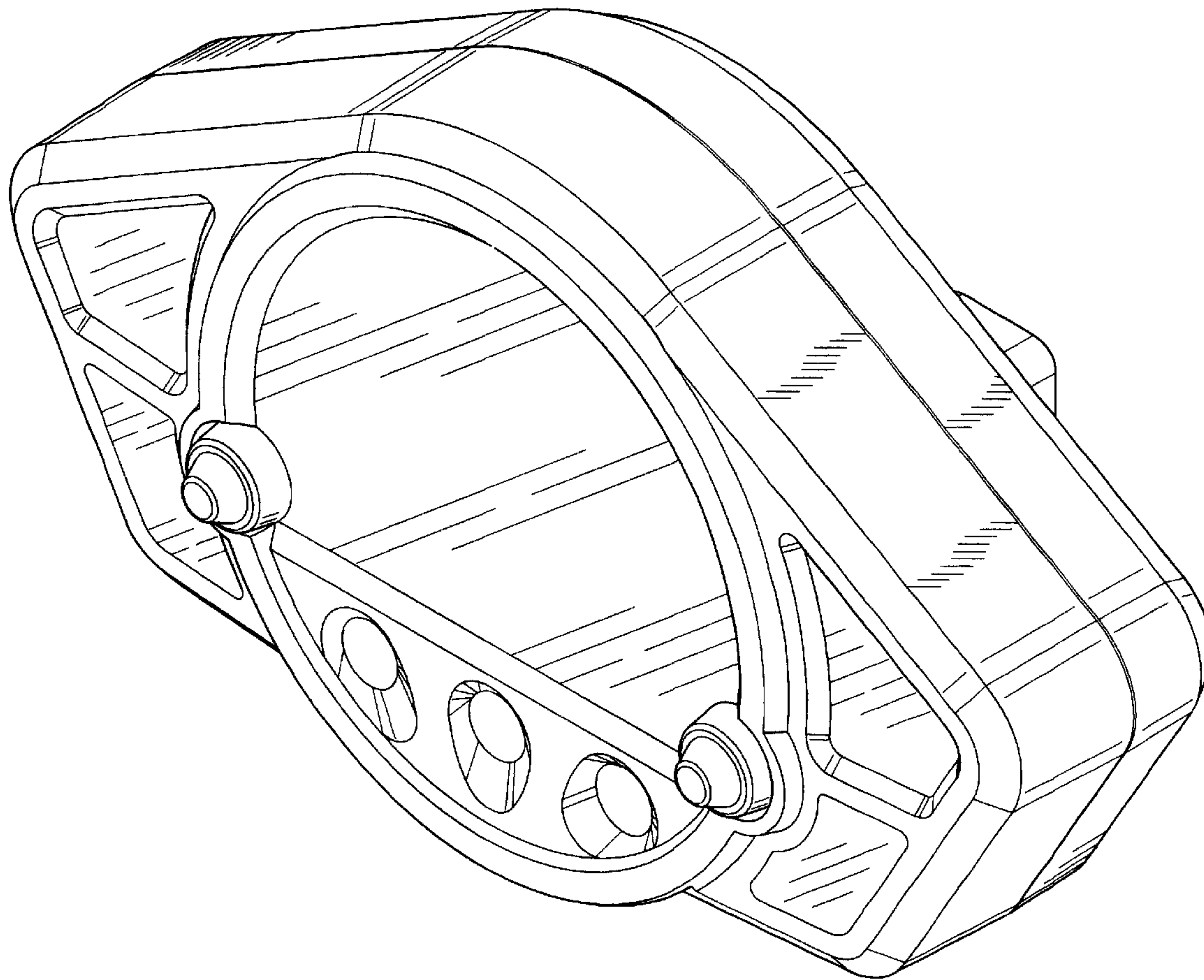
FIG. 4 is a front elevational view thereof;

FIG. 5 is a rear elevational view thereof;

FIG. 6 is a top plan view thereof; and,

FIG. 7 is a bottom view thereof.

1 Claim, 7 Drawing Sheets



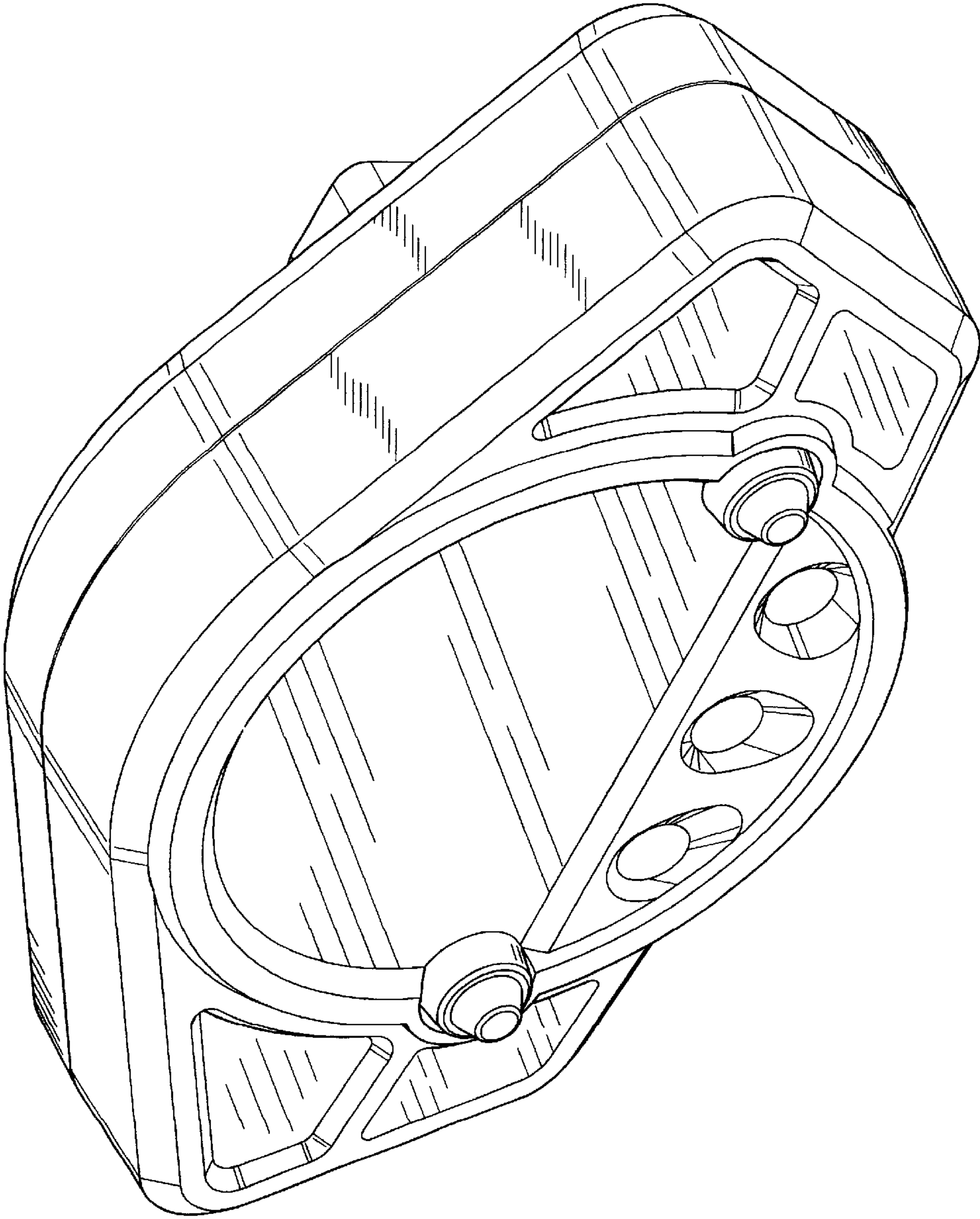


FIG 1

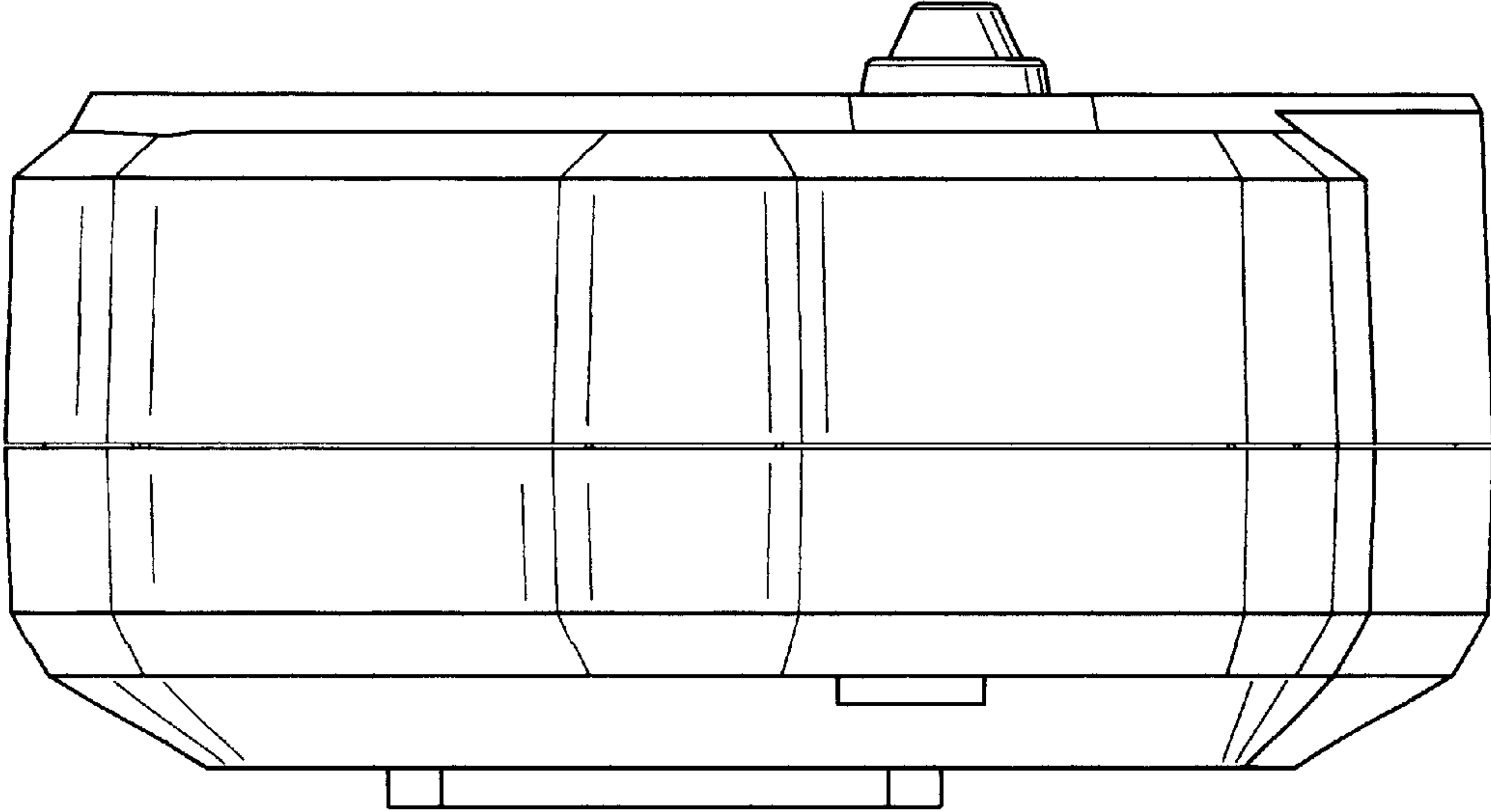


FIG 2

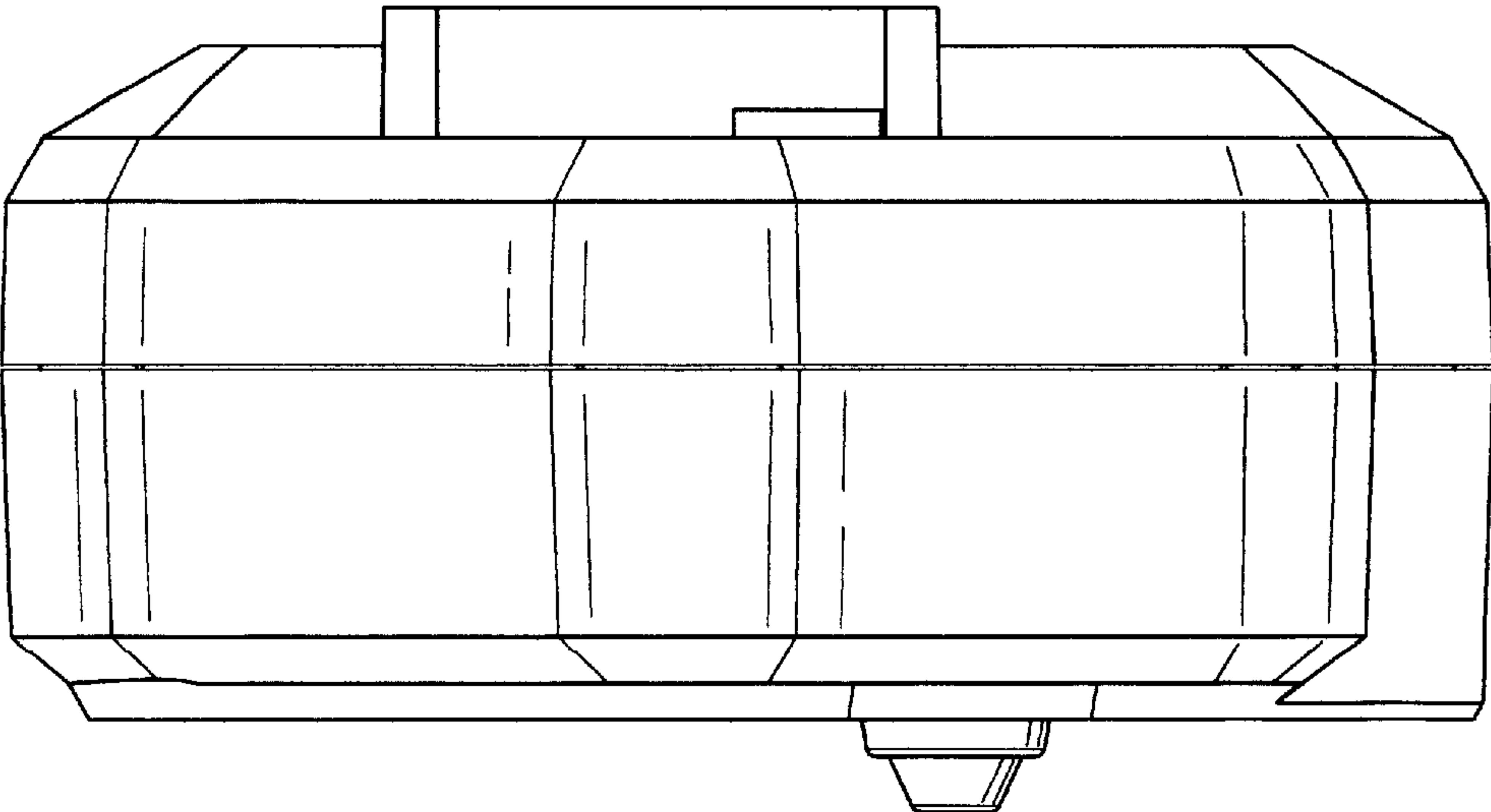


FIG 3

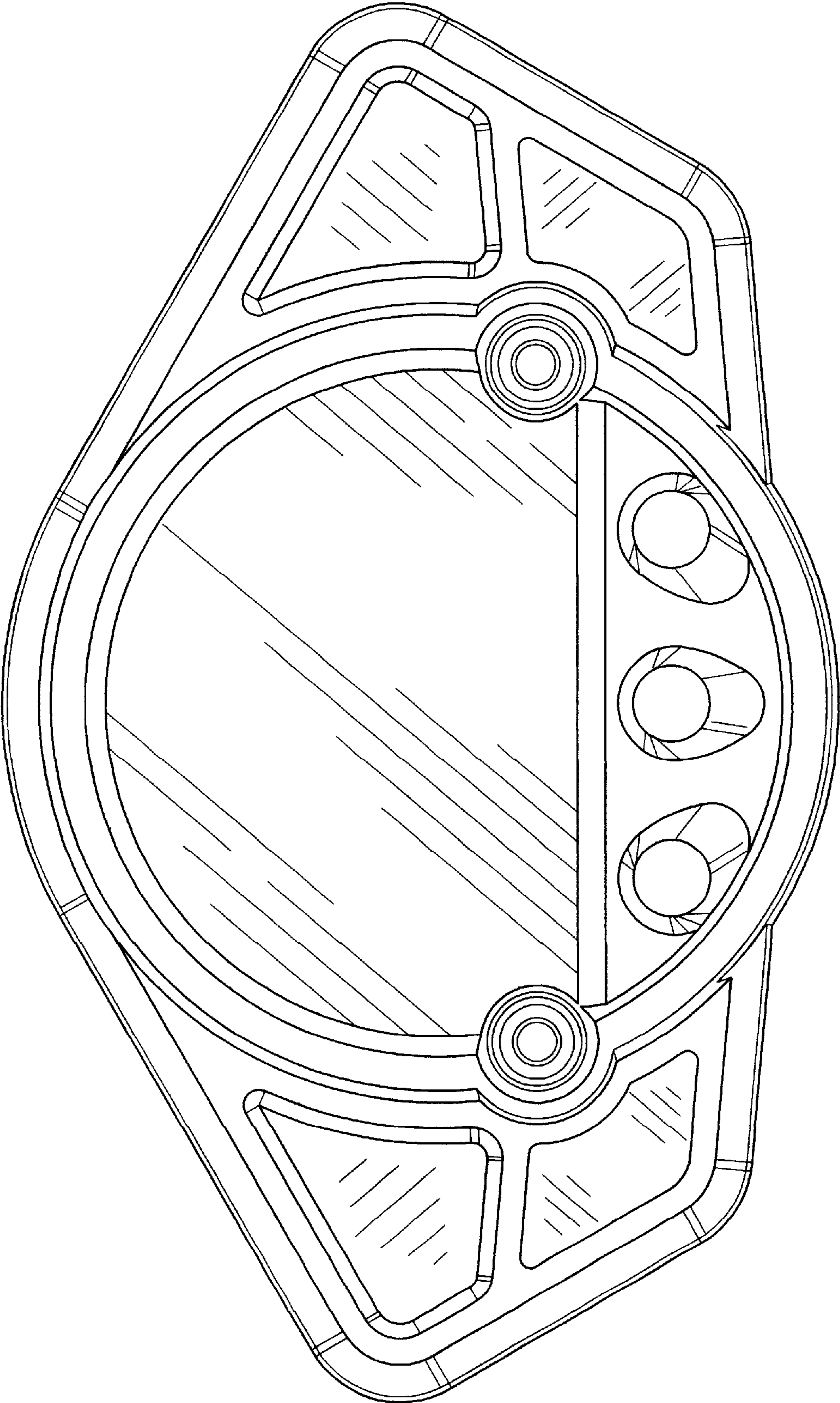


FIG 4

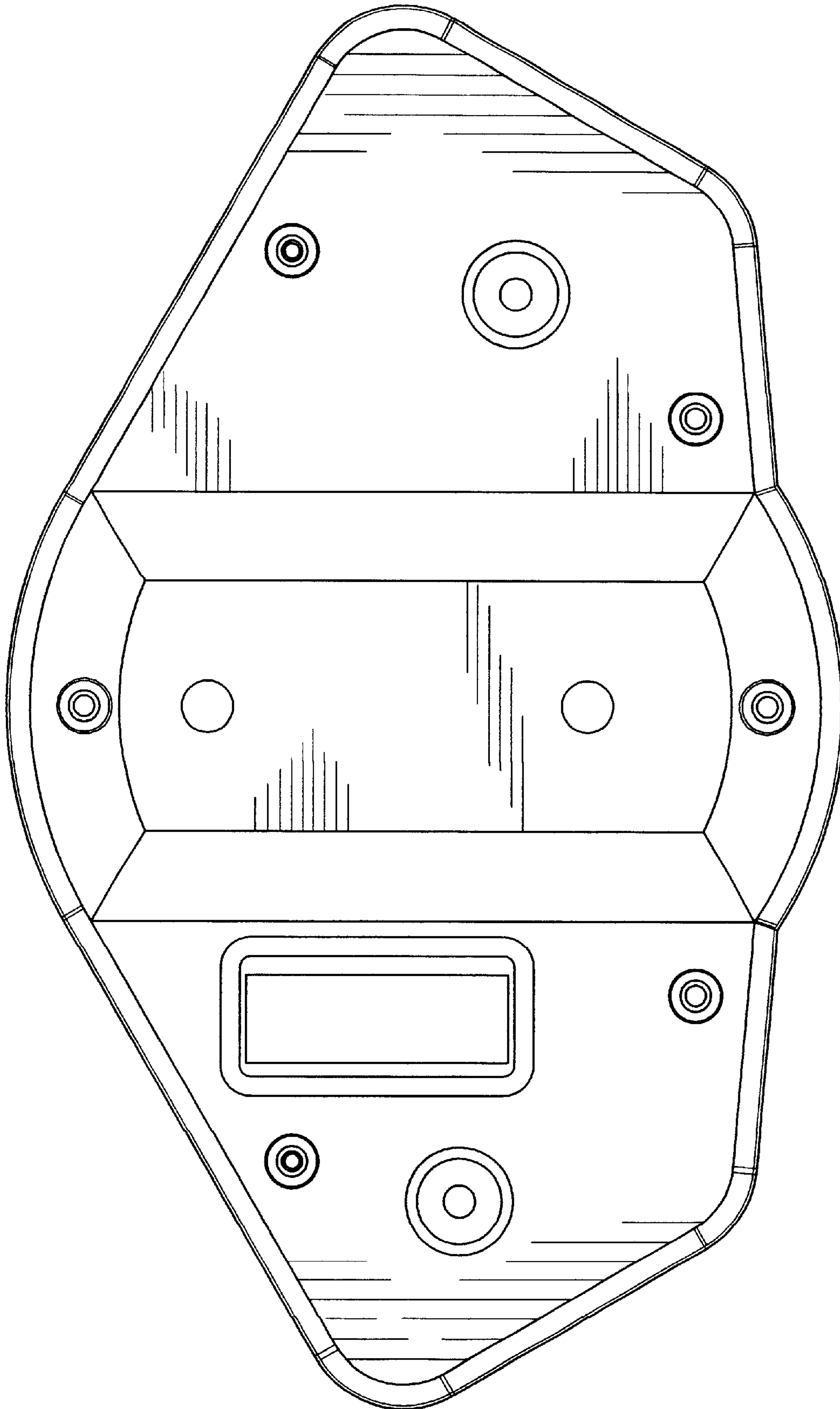


FIG 5

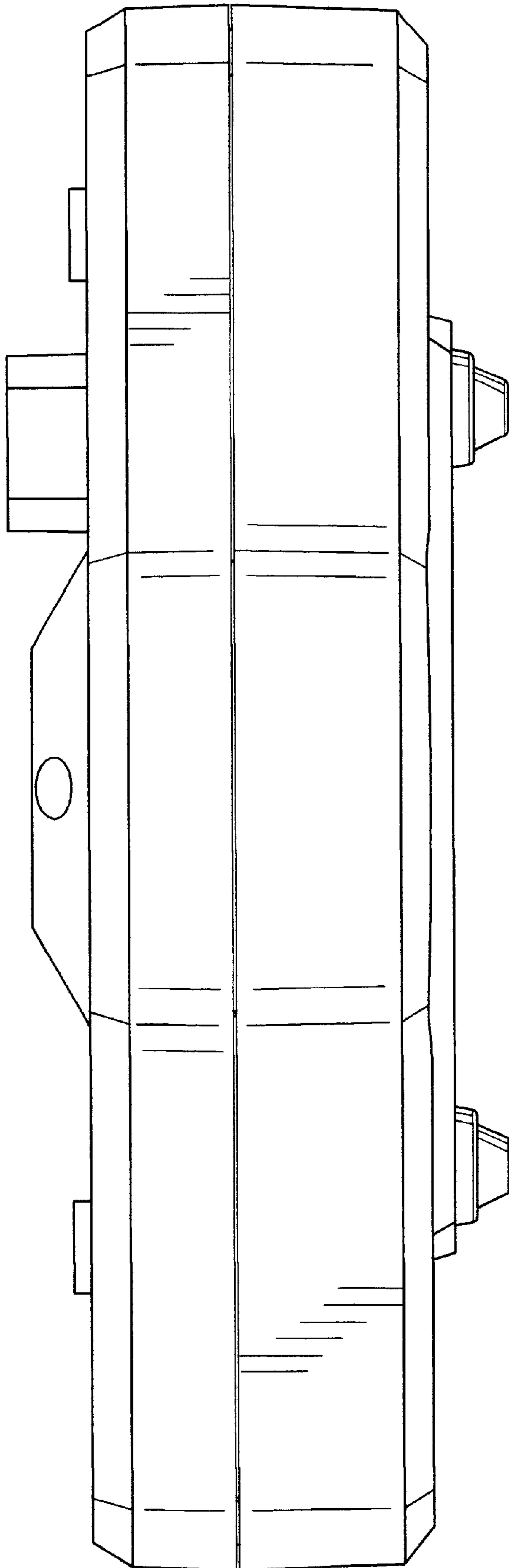


FIG 6

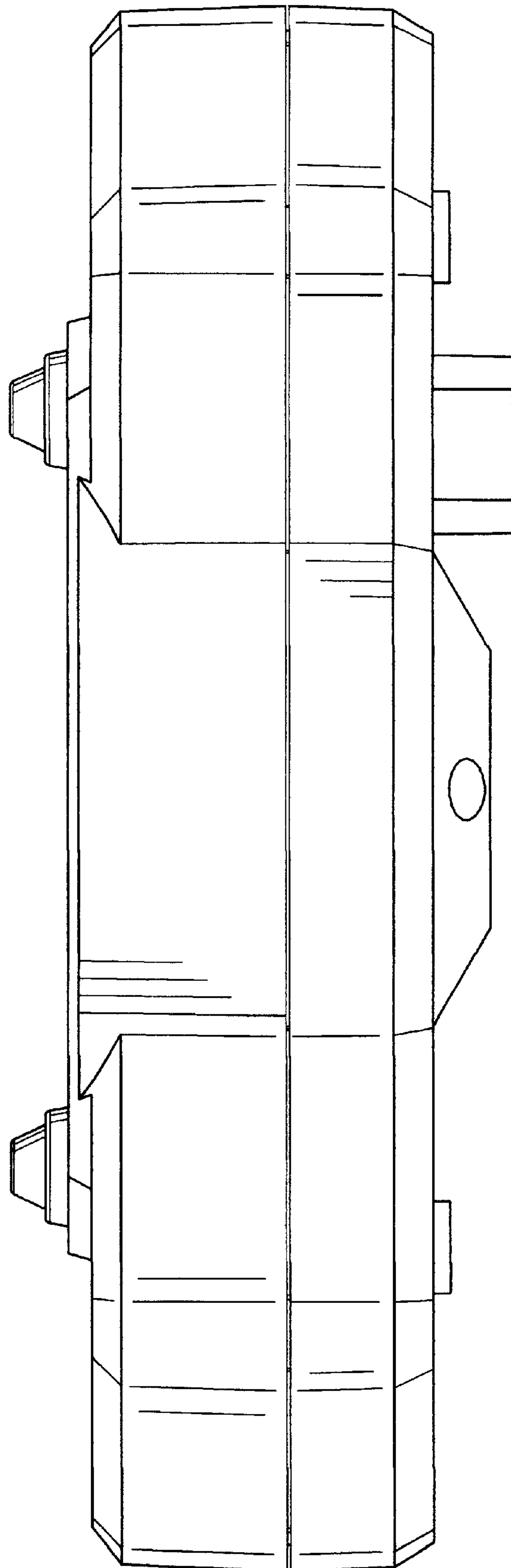


FIG 7