



US00D523756S

(12) **United States Design Patent**
Considine et al.

(10) **Patent No.:** **US D523,756 S**
(45) **Date of Patent:** **** Jun. 27, 2006**

(54) **CONDIMENT JAR**
(75) Inventors: **Guy Considine**, Libertyville, IL (US);
Scott Jost, Naperville, IL (US); **George Conrad**, Woodstock, GA (US)
(73) Assignee: **Frank Brunckhorst Co., LLC**,
Brooklyn, NY (US)
(**) Term: **14 Years**

D306,977 S * 4/1990 Waterman D9/574
D318,778 S 8/1991 Fiore et al.
D332,751 S 1/1993 Pischulti et al.
D359,690 S 6/1995 Heinz
D371,739 S 7/1996 Van Dyk
D392,897 S * 3/1998 Biesecker et al. D9/573
D396,189 S 7/1998 Lonczak et al.
D396,810 S 8/1998 Riffer
D405,698 S 2/1999 Lykken et al.
D411,456 S * 6/1999 Mast et al. D9/521
D418,061 S 12/1999 Stärker
D426,469 S 6/2000 Mankowski et al.
D440,156 S 4/2001 Lonczak et al.
D480,315 S 10/2003 Sadeghi et al.

(21) Appl. No.: **29/223,983**
(22) Filed: **Feb. 23, 2005**

(51) **LOC (8) Cl.** **09-01**
(52) **U.S. Cl.** **D9/573; D9/574**
(58) **Field of Classification Search** D9/516,
D9/559, 560, 563, 566, 569, 570-574, 734;
215/379, 381-385; 220/660, 662, 669; D7/612-615
See application file for complete search history.

* cited by examiner

Primary Examiner—Ian Simmons
Assistant Examiner—Dana Sipos
(74) *Attorney, Agent, or Firm*—Hoffmann & Baron, LLP

(56) **References Cited**

U.S. PATENT DOCUMENTS

D25,402 S * 4/1896 Nelson D9/544
D71,264 S 10/1926 De Luca
D76,133 S 8/1928 Halk
D86,013 S 1/1932 De Wagner
D86,656 S 4/1932 Barbiers
D92,717 S 7/1934 Fuerst
D213,041 S * 12/1968 Stahl D9/573
D252,735 S * 8/1979 Grodin D9/573
D255,326 S 6/1980 Pettengill
D260,367 S * 8/1981 Grip D9/573
D274,887 S 7/1984 Ryder

(57) **CLAIM**

The ornamental design for a condiment jar, as shown and described.

DESCRIPTION

FIG. 1 is a perspective view of a condiment jar showing our new design;
FIG. 2 is a top view thereof;
FIG. 3 is a front elevation view thereof;
FIG. 4 is a side elevation view thereof; and,
FIG. 5 is a bottom view thereof.
The subject matter shown in broken lines is for illustrative purposes only and forms no part of the claimed design.

1 Claim, 5 Drawing Sheets

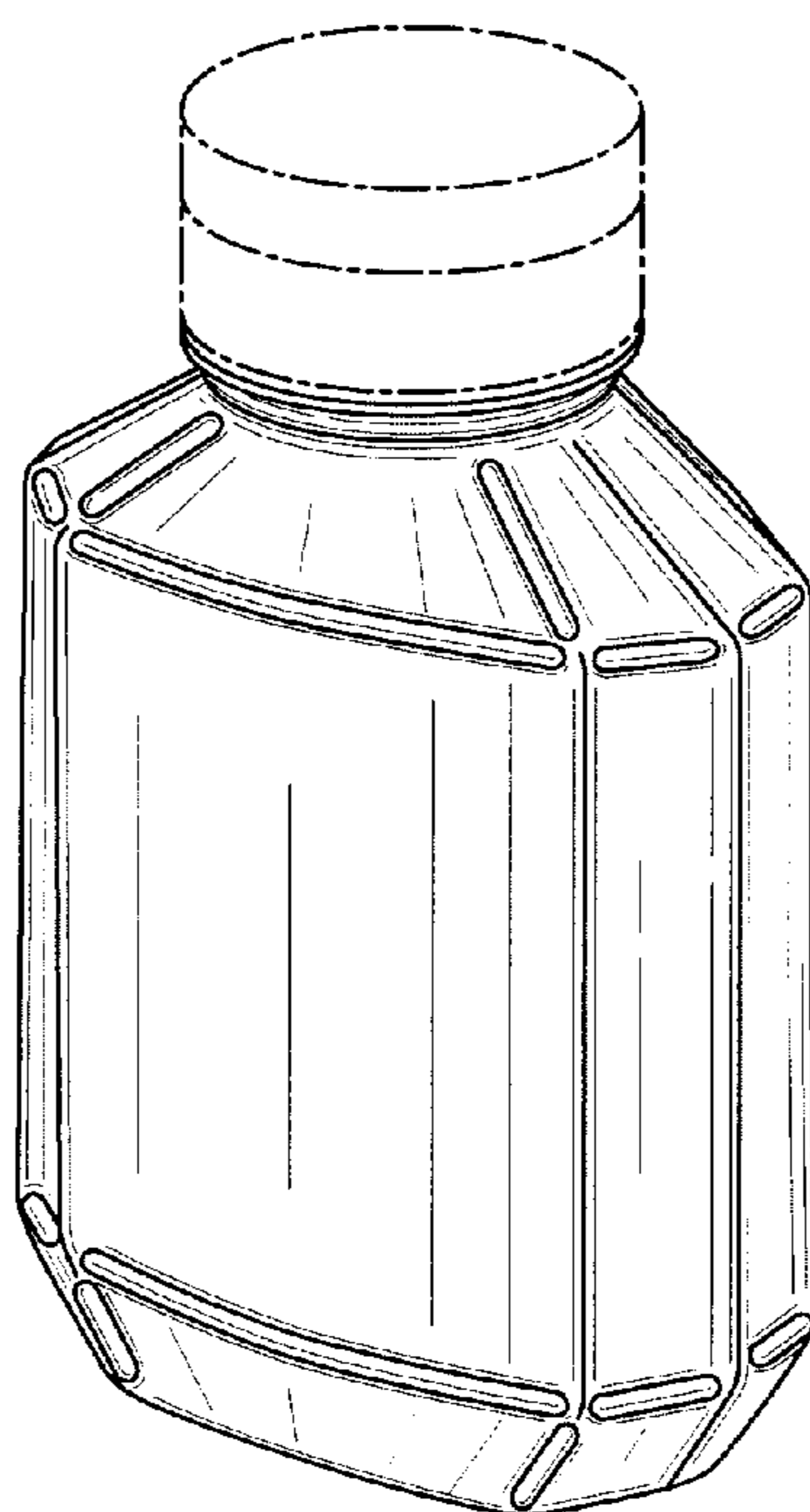


FIG. 1

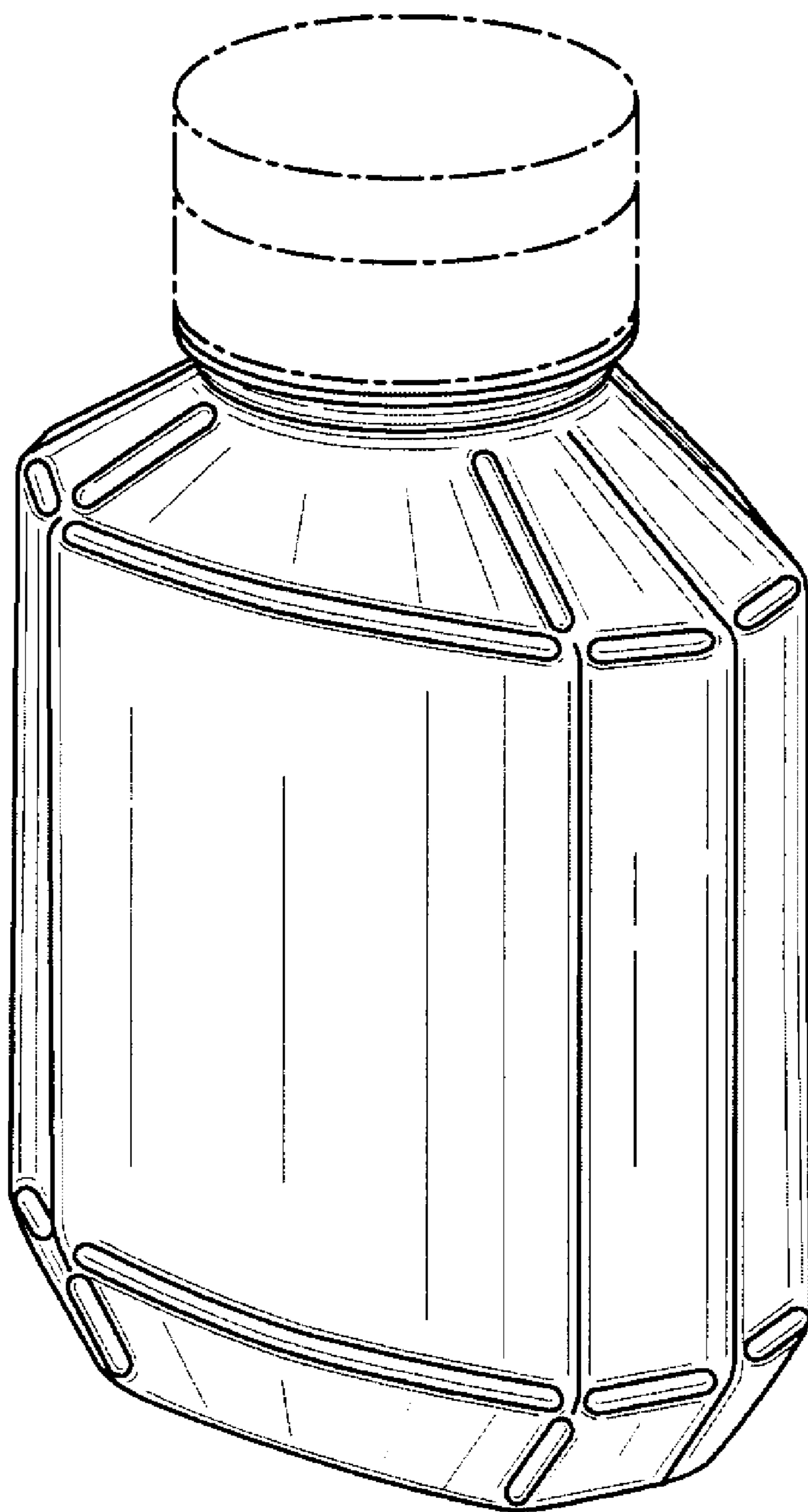


FIG. 2

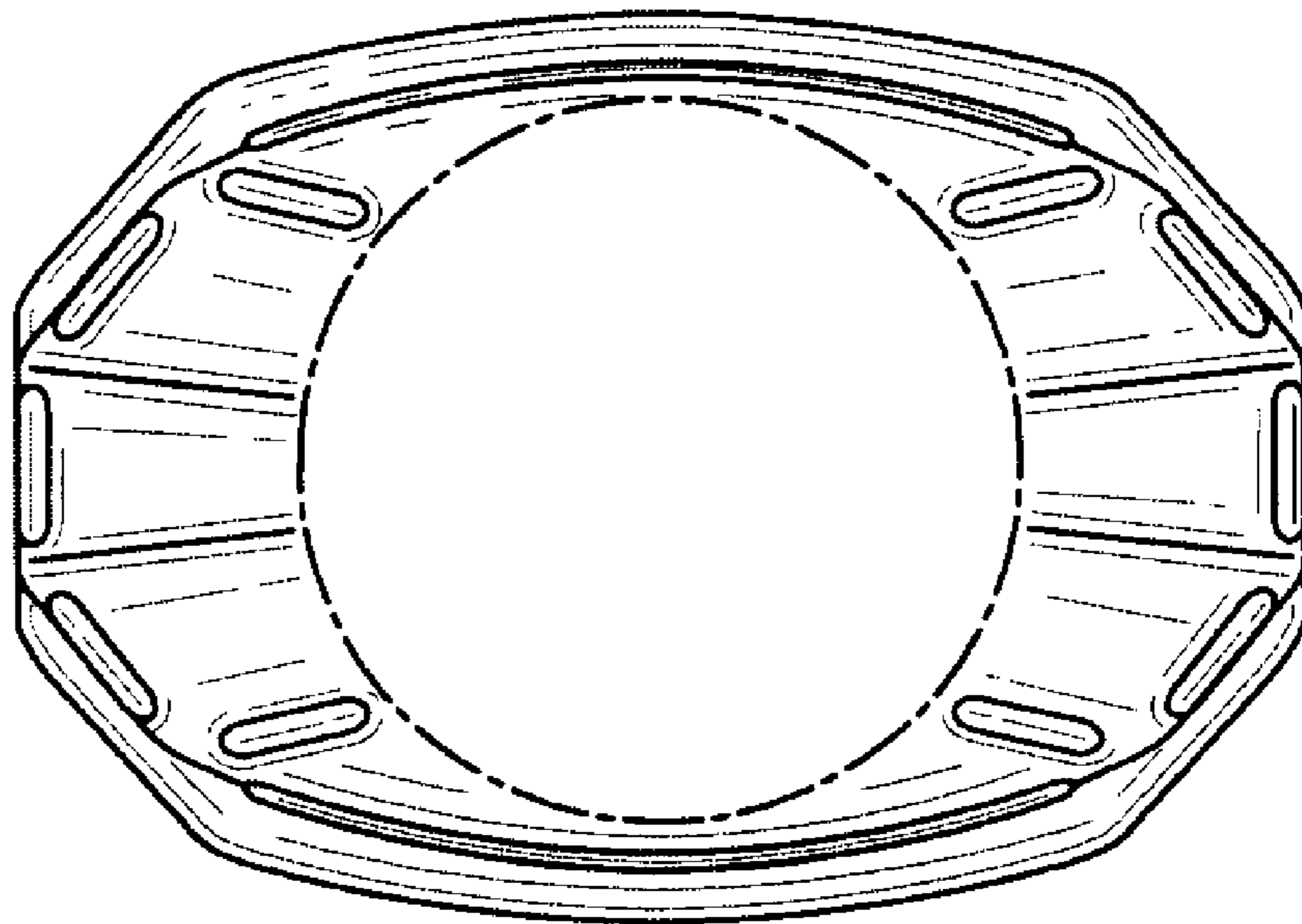


FIG. 3

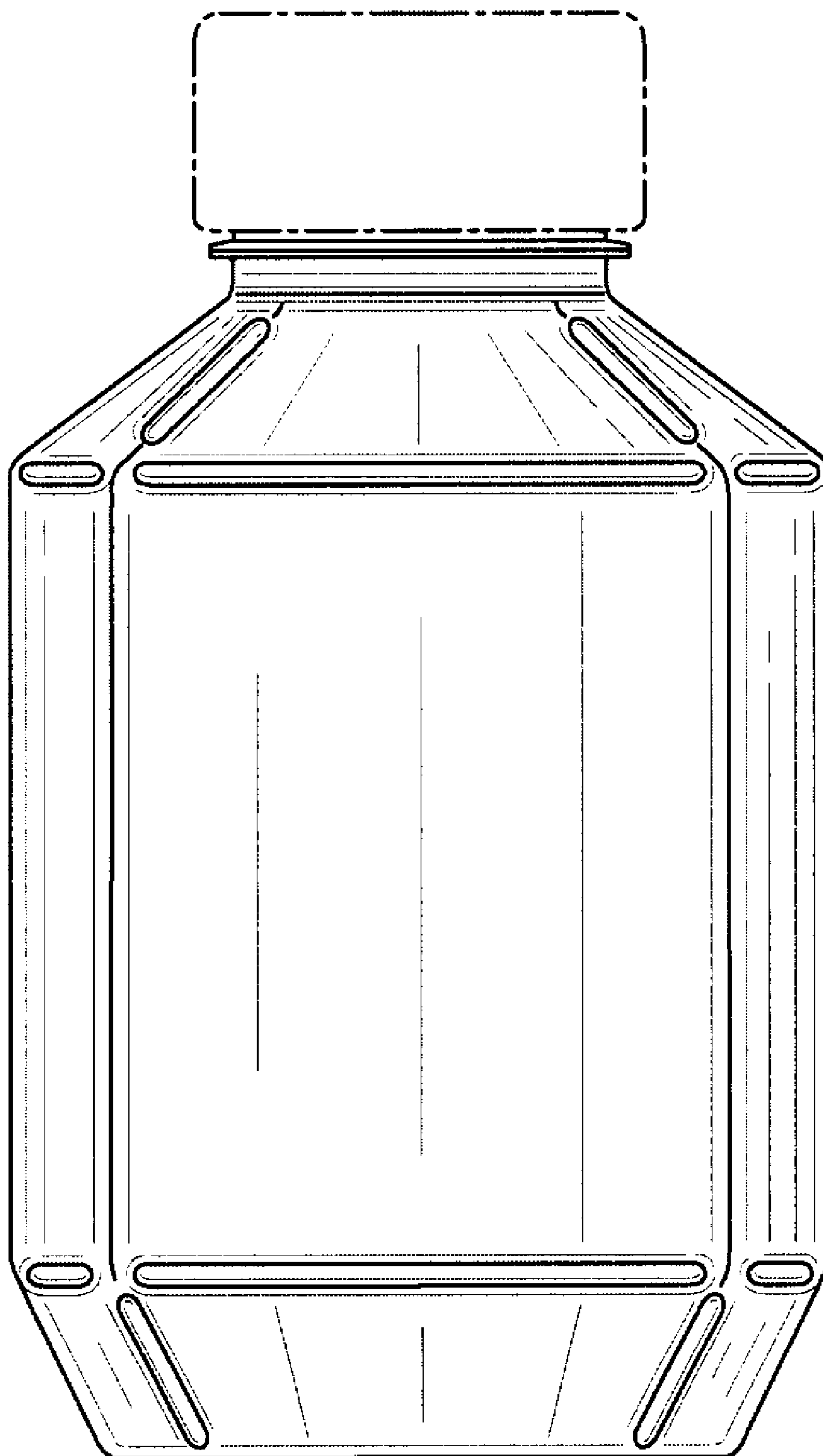


FIG. 4

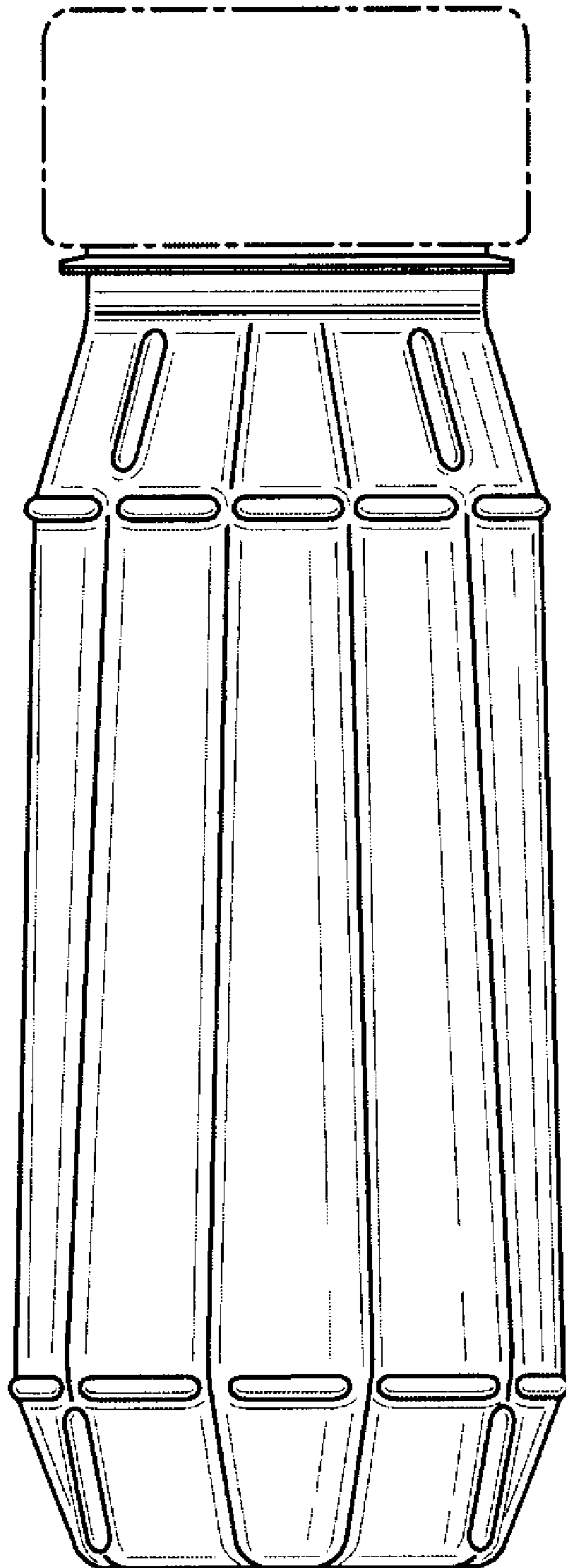


FIG. 5

