



US00D523755S

(12) **United States Design Patent**  
**Considine et al.**

(10) **Patent No.: US D523,755 S**  
(45) **Date of Patent: \*\* Jun. 27, 2006**

(54) **CONDIMENT JAR**

(75) Inventors: **Guy Considine**, Libertyville, IL (US);  
**Scott Jost**, Naperville, IL (US); **George Conrad**, Woodstock, GA (US)

(73) Assignee: **Frank Brunckhorst Co., LLC**,  
Brooklyn, NY (US)

(\*\*) Term: **14 Years**

(21) Appl. No.: **29/223,969**

(22) Filed: **Feb. 23, 2005**

(51) **LOC (8) Cl.** ..... **09-01**

(52) **U.S. Cl.** ..... **D9/560; D9/573; D9/574**

(58) **Field of Classification Search** ..... D9/516,  
D9/559, 560, 563, 566, 569, 570-574, 734;  
215/379, 381-385; 220/660, 662, 669; D7/612-615  
See application file for complete search history.

(56) **References Cited**

**U.S. PATENT DOCUMENTS**

D6,528 S	*	3/1873	Muller	.....	D9/560
D71,264 S		10/1926	De Luca		
D76,133 S		8/1928	Halk		
D86,013 S		1/1932	De Wagner		
D86,656 S		4/1932	Barbiers		
D92,717 S		7/1934	Fuerst		
D125,920 S	*	3/1941	Lundy	.....	D9/546
D255,326 S		6/1980	Pettengill		
D274,887 S		7/1984	Ryder		
D318,778 S		8/1991	Fiore et al.		

D320,554 S	*	10/1991	Van Dine et al.	.....	D9/574
D332,751 S		1/1993	Pischulti et al.		
D359,690 S		6/1995	Heinz		
D371,739 S		7/1996	Van Dyk		
D396,189 S		7/1998	Lonczak et al.		
D396,810 S		8/1998	Riffer		
D405,698 S		2/1999	Lykken et al.		
D418,061 S		12/1999	Stärker		
D426,469 S		6/2000	Mankowski et al.		
D440,156 S		4/2001	Lonczak et al.		
D467,507 S	*	12/2002	Bryant et al.	.....	D9/570
D470,058 S	*	2/2003	Bryant et al.	.....	D9/572
D480,315 S		10/2003	Sadeghi et al.		

\* cited by examiner

*Primary Examiner*—Ian Simmons

*Assistant Examiner*—Dana Sipos

(74) *Attorney, Agent, or Firm*—Hoffman & Baron, LLP

(57) **CLAIM**

The ornamental design for a condiment jar, as shown and described.

**DESCRIPTION**

FIG. 1 is a perspective view of a condiment jar showing our new design;

FIG. 2 is a top view thereof;

FIG. 3 is a front elevation view thereof; and,

FIG. 4 is a bottom view thereof.

The subject matter shown in broken lines is for illustrative purposes only and forms no part of the claimed design.

**1 Claim, 4 Drawing Sheets**

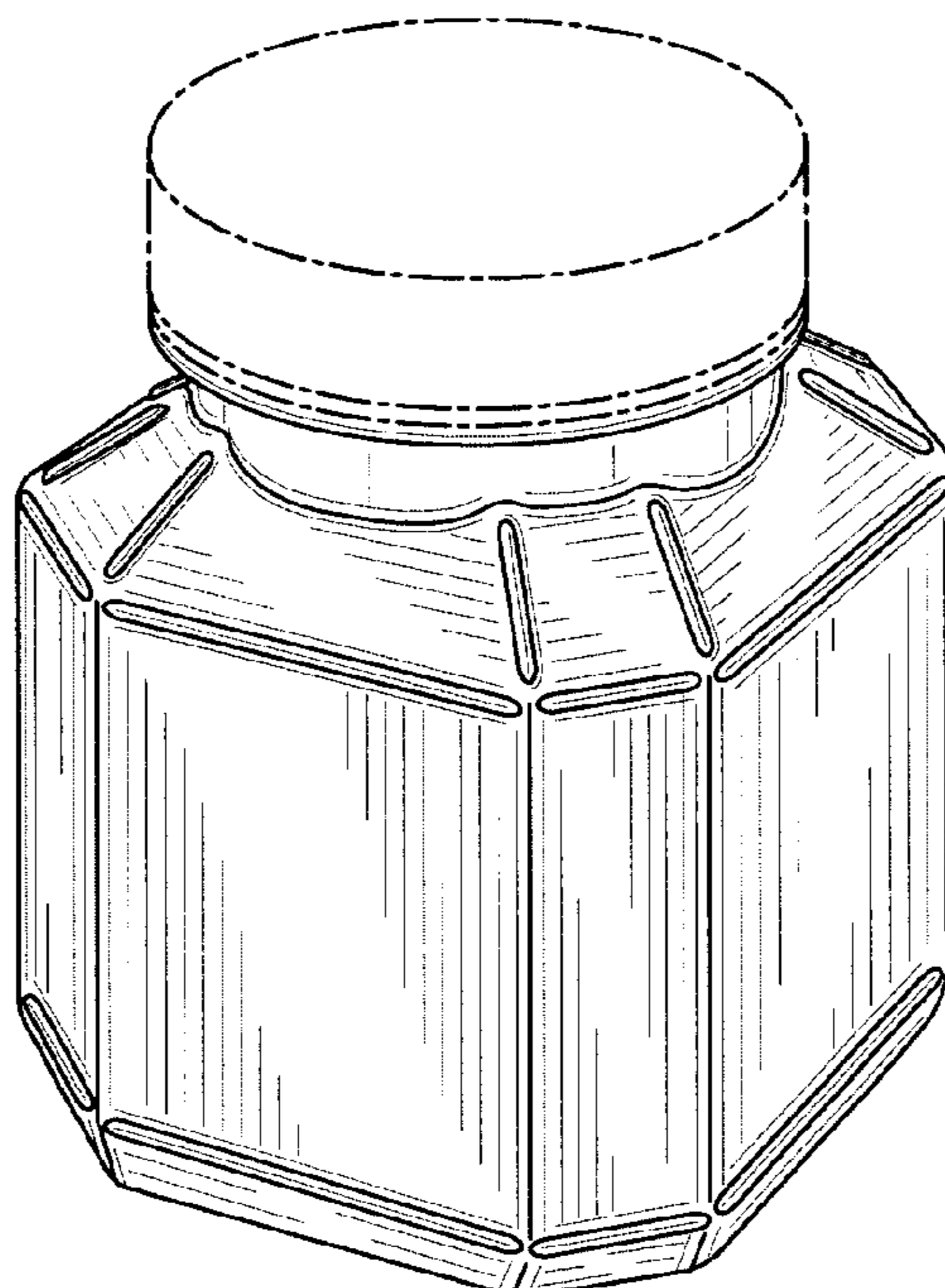


FIG. 1

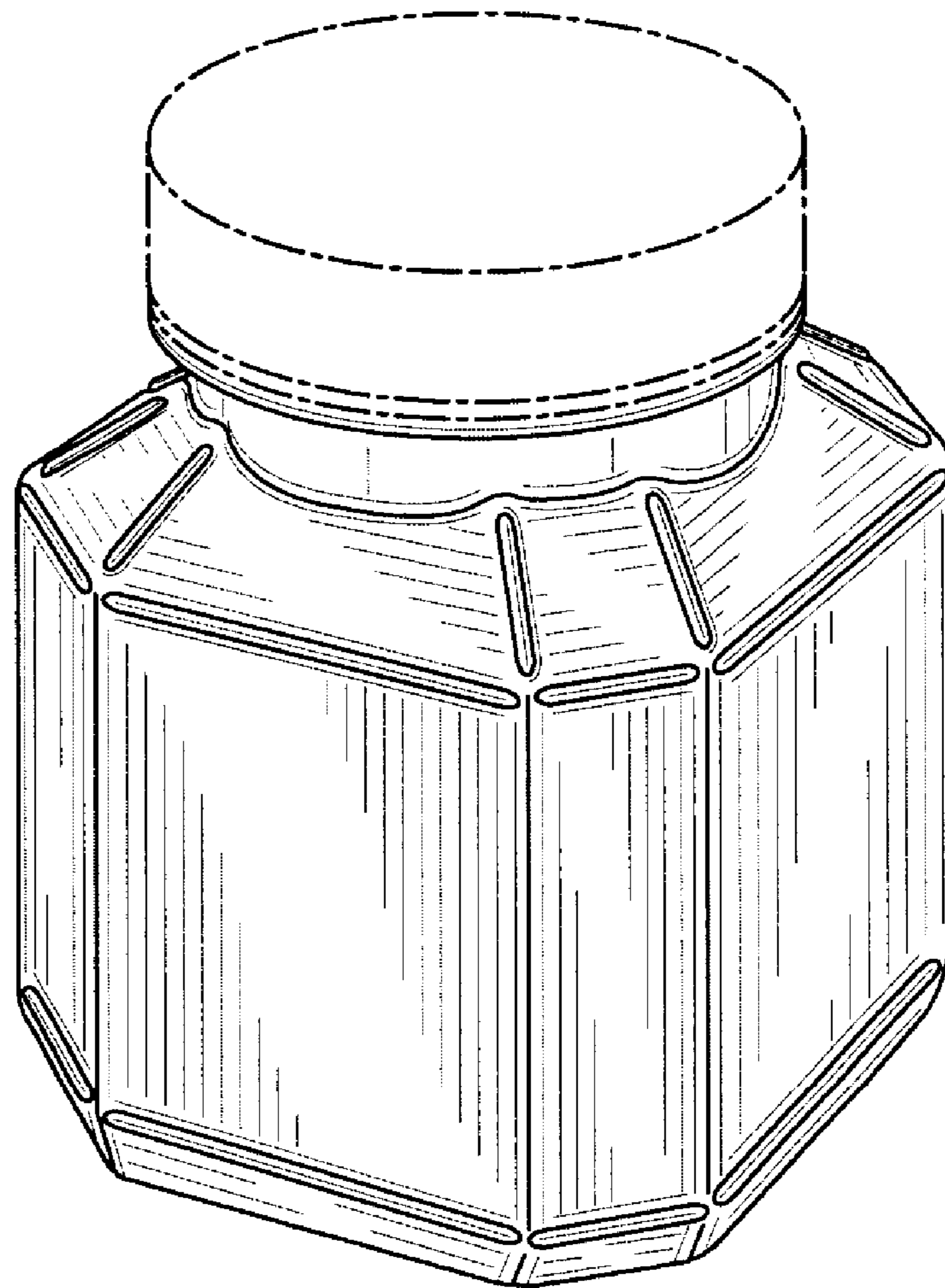


FIG. 2

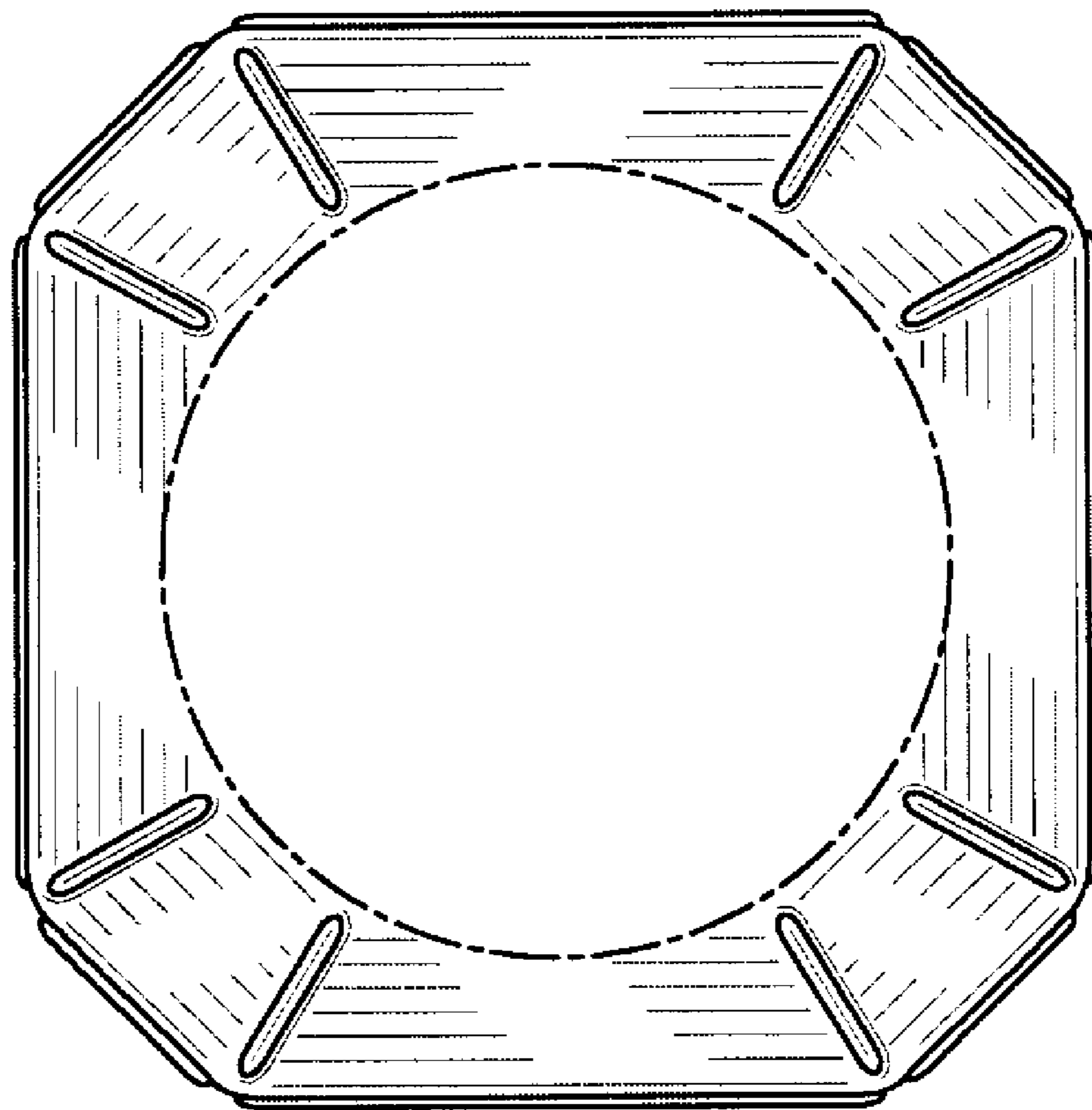


FIG. 3

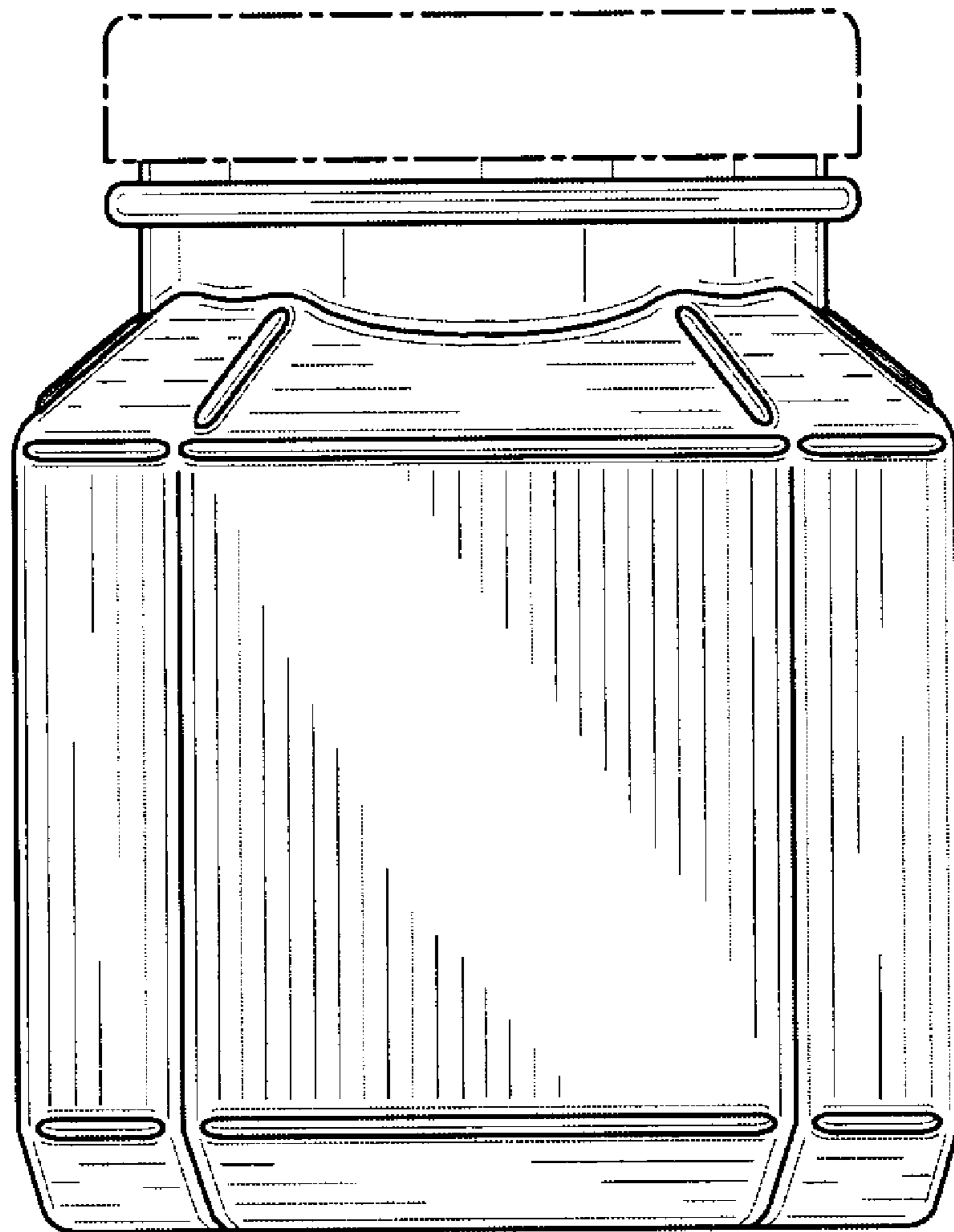


FIG. 4

