

US00D523750S

(12) **United States Design Patent**  
**Lee et al.**

(10) **Patent No.: US D523,750 S**  
(45) **Date of Patent: \*\* Jun. 27, 2006**

(54) **CONFECTION CONTAINER**

D496,759 S \* 9/2004 Rodriguez ..... D28/82  
D507,078 S \* 7/2005 Greenfield ..... D28/82

(75) Inventors: **Kendrew Lee**, Fremont, CA (US); **Noel Lee**, Las Vegas, NV (US)

\* cited by examiner

(73) Assignee: **Monster Cable Products, Inc.**,  
Brisbane, CA (US)

*Primary Examiner*—Ian Simmons

*Assistant Examiner*—Dana Sipos

(\*\*) Term: **14 Years**

(74) *Attorney, Agent, or Firm*—LaRiviere, Grubman & Payne, LLP

(21) Appl. No.: **29/196,969**

(57) **CLAIM**

(22) Filed: **Jan. 7, 2004**

The ornamental design for a confection container, as shown and described.

(51) **LOC (8) Cl.** ..... **09-01**

**DESCRIPTION**

(52) **U.S. Cl.** ..... **D9/449**

(58) **Field of Classification Search** ..... D9/414,  
D9/420–422, 428, 449, 500, 503–504, 509,  
D9/511, 513, 515, 524, 529, 715; D3/203.2;  
206/6.1, 528, 533, 540, 568, 581; 220/823;  
D28/66, 76, 82, 91

A portion of the disclosure of this design patent document contains material to which a claim of copyright protection is made. The copyright owner has no objection to the facsimile reproduction of the patent document or the patent disclosure as it appears in the United States Patent and Trademark Office file or records, but reserves all other copyrights.

FIG. 1 is a perspective view of a confection container design, in accordance with the present invention.

FIG. 2 is a side view of a confection container design, in accordance with the present invention.

FIG. 3 is a top view of a confection container design, in accordance with the present invention.

FIG. 4 is an opposing side view, taken at an angle of 90° relative to that of FIG. 2 of a confection container design, in accordance with the present invention; and,

FIG. 5 is a bottom view of a confection container design, in accordance with the present invention.

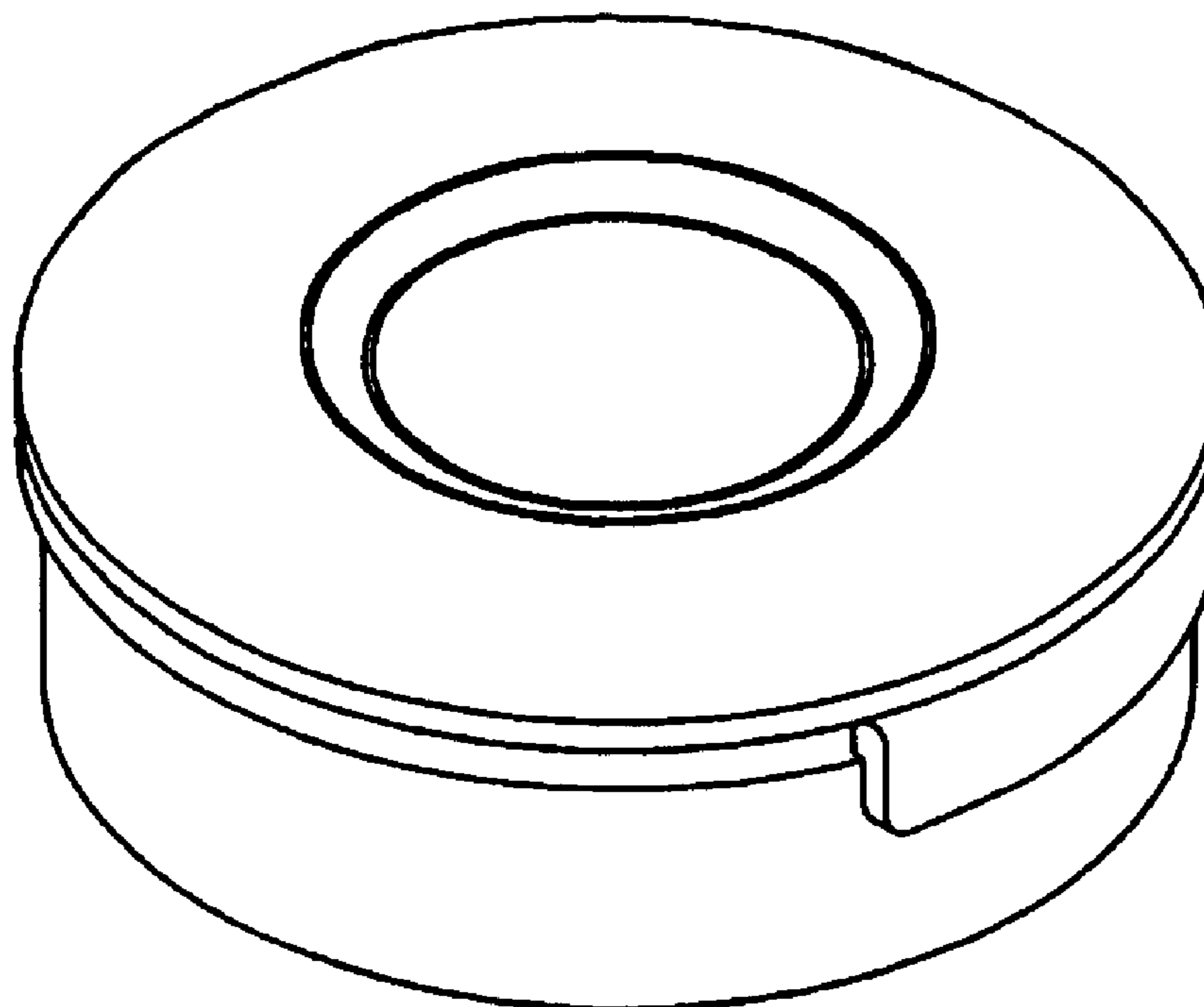
See application file for complete search history.

(56) **References Cited**

**U.S. PATENT DOCUMENTS**

2,421,646	A	*	6/1947	Pepin	.....	220/844
D214,019	S	*	5/1969	Newman	.....	D9/521
D216,552	S	*	2/1970	Curry	.....	D9/503
6,047,710	A	*	4/2000	Irving et al.	.....	206/581
D460,218	S	*	7/2002	Thorpe	.....	D28/82
D470,273	S	*	2/2003	Revivo	.....	D28/76

**1 Claim, 2 Drawing Sheets**



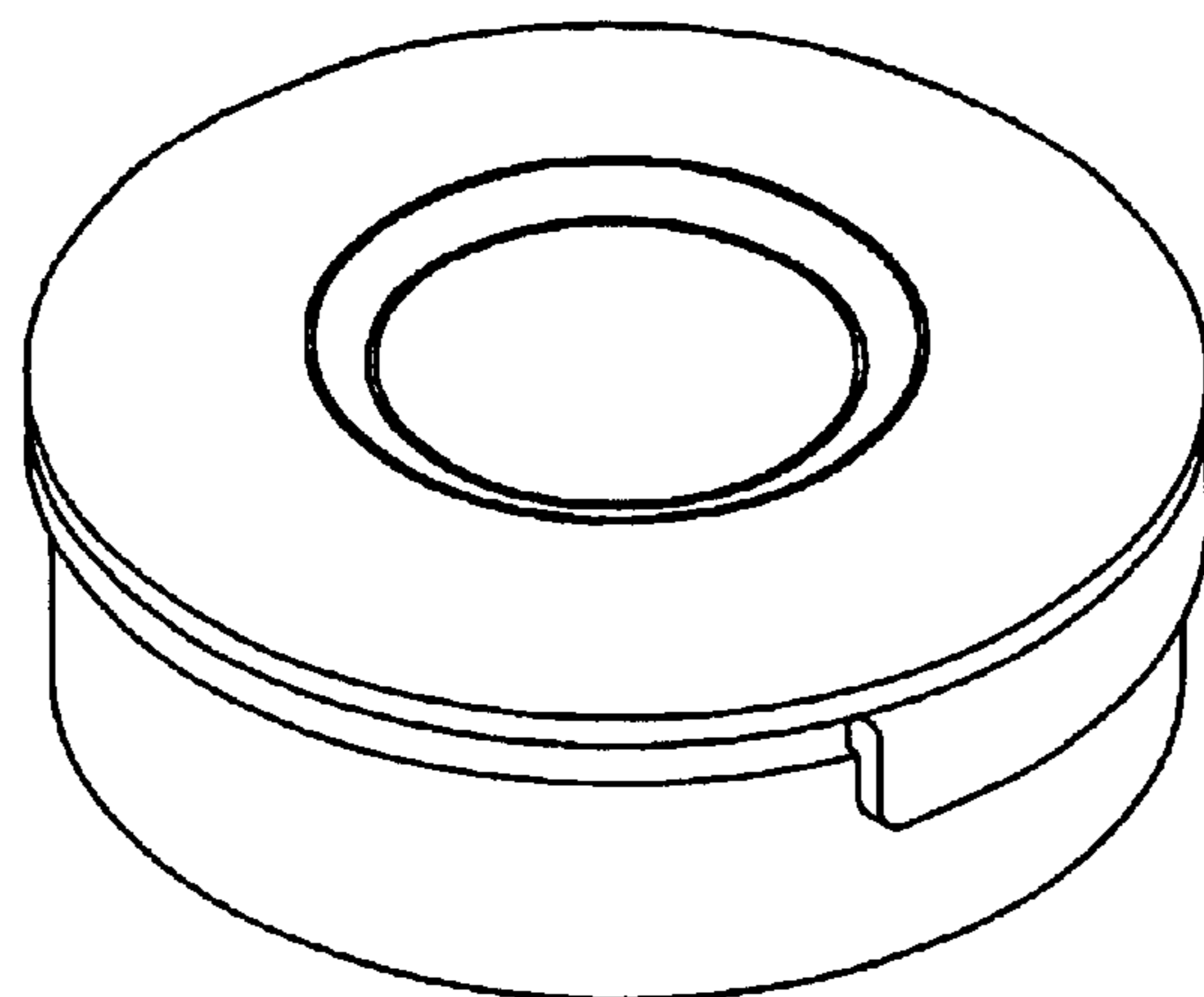


Figure 1

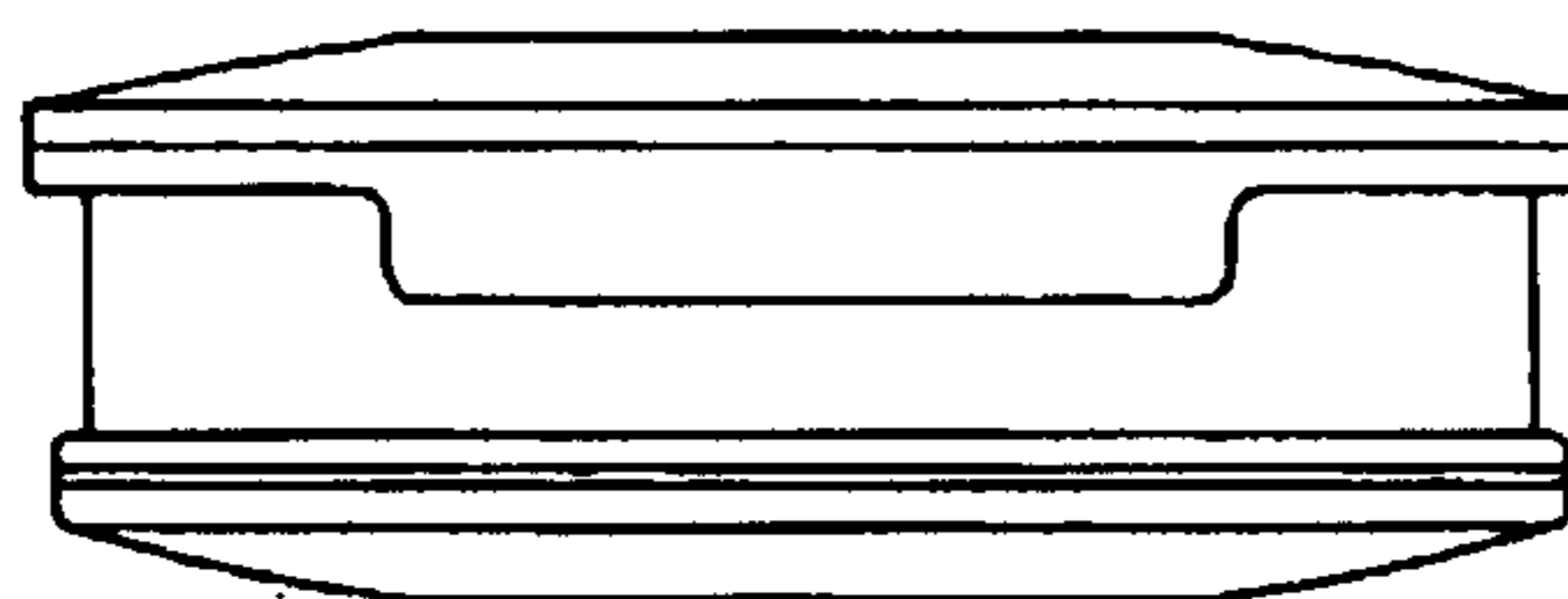


Figure 2

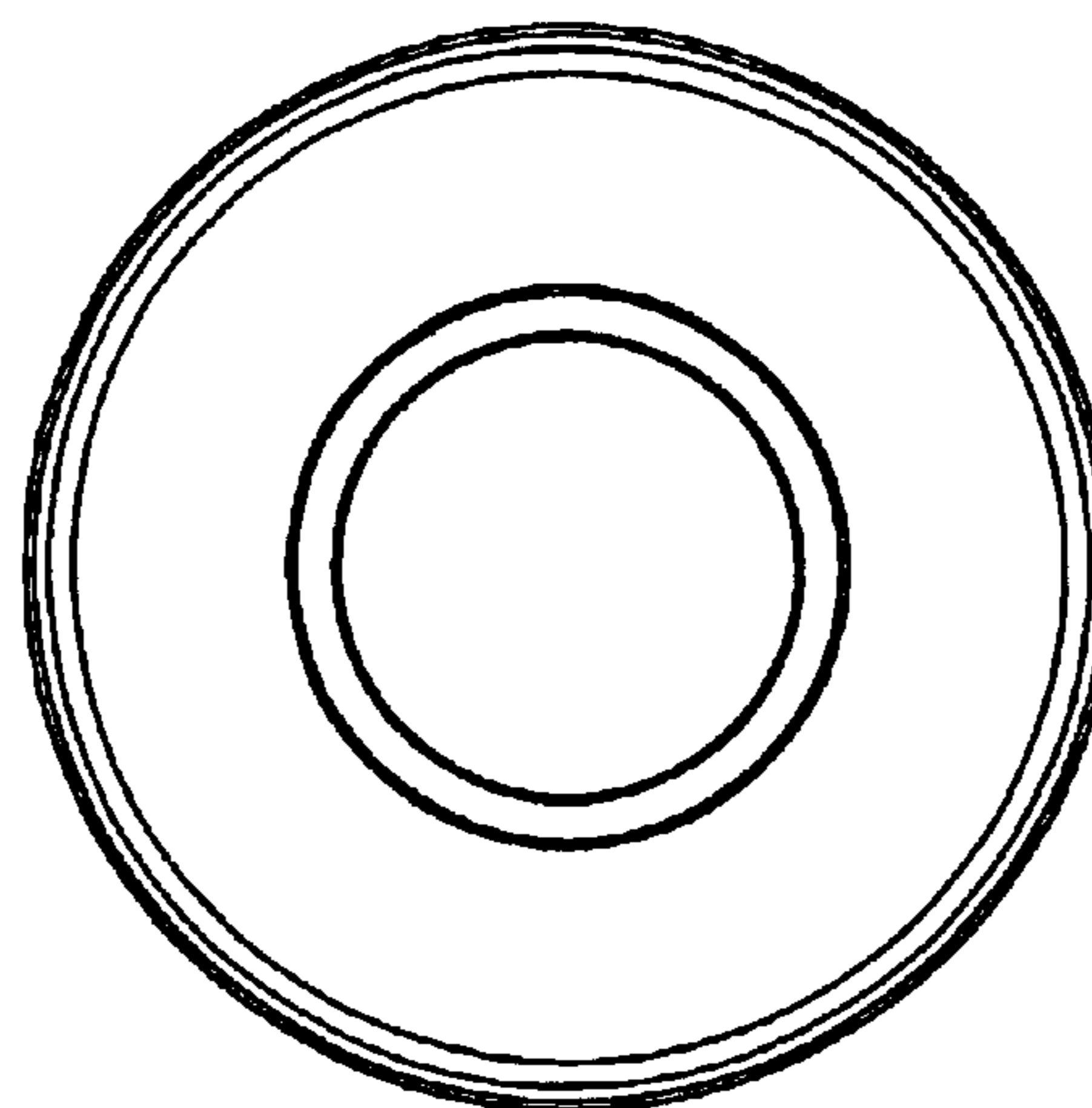


Figure 3

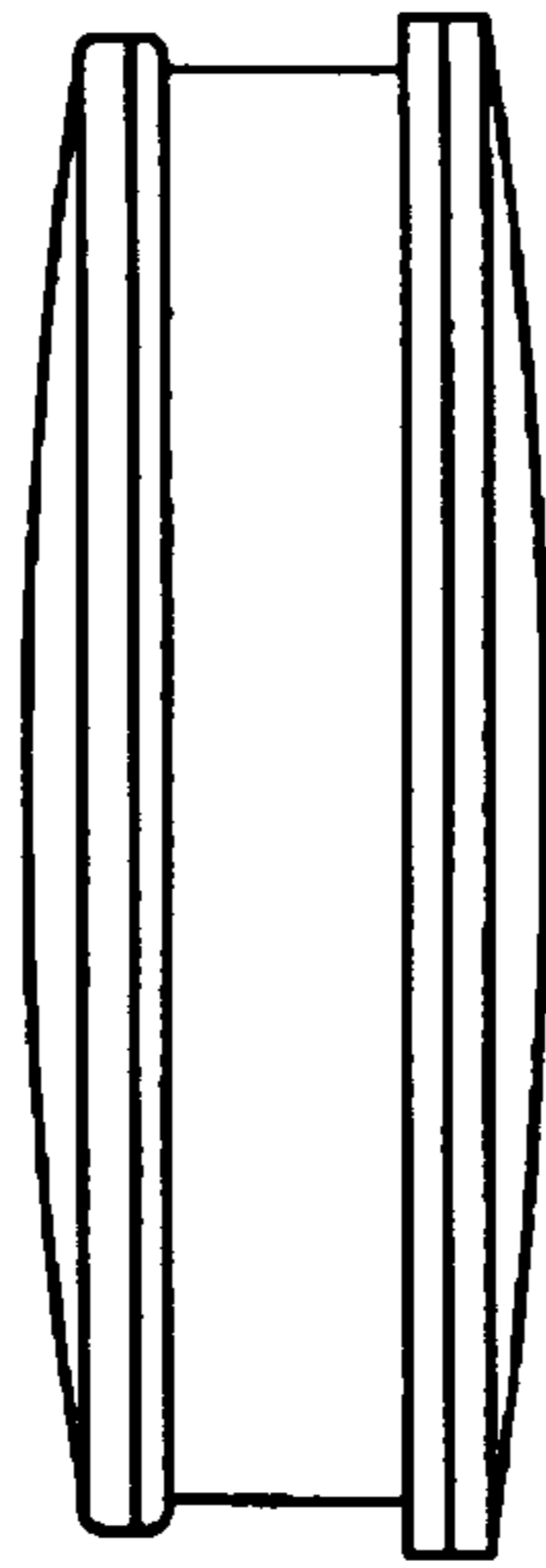


Figure 4

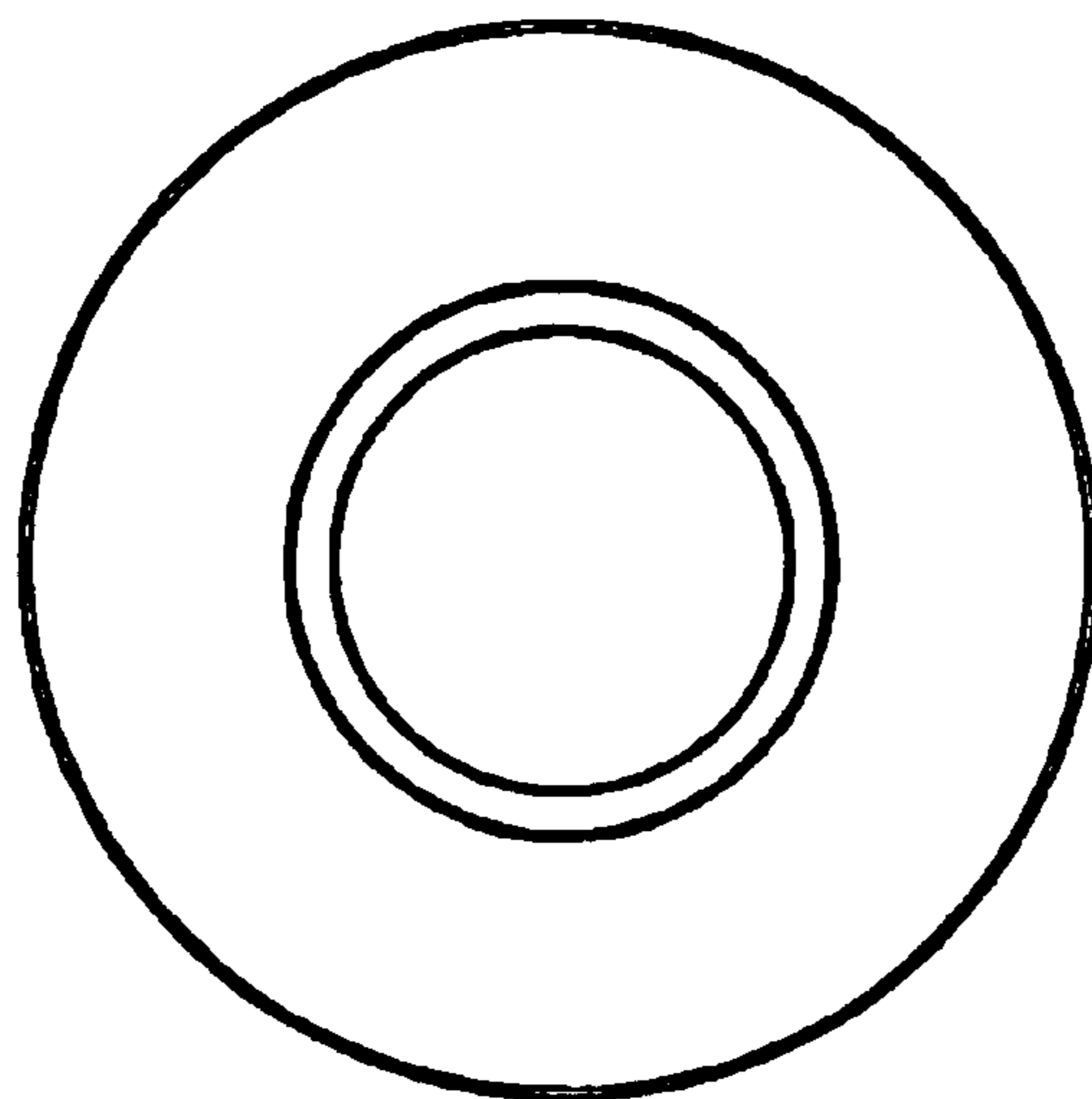


Figure 5